



Geschirrspülmaschinen
Warewashers
Machines à laver la vaisselle



FUX

FUX 10-07

Ab Serien-Nummer:
Starting from Serial No.:
A partir du no. de série:

8662 0001

ERSATZTEILE
SPARE PARTS
PIECES DETACHEES

REV. 23.01.14

Die in diesem Katalog aufgeführten Elektroteile beziehen sich auf folgende Anschluss-Spannungen:
Electrical components listed in this catalogue are rated for the following supply voltages:
Les composants électriques énumérés dans ce catalogue sont prévus pour les tensions suivantes:

400V / 50Hz / 3 / PE

Bei nicht aufgeführten Anschluss-Spannungen bitte den, der Maschine beigelegten Schaltplan beachten.
For other voltages, refer to the wiring diagram shipped with the machine.
Pour d'autres tensions, se référer au schéma électrique envoyé avec la machine.

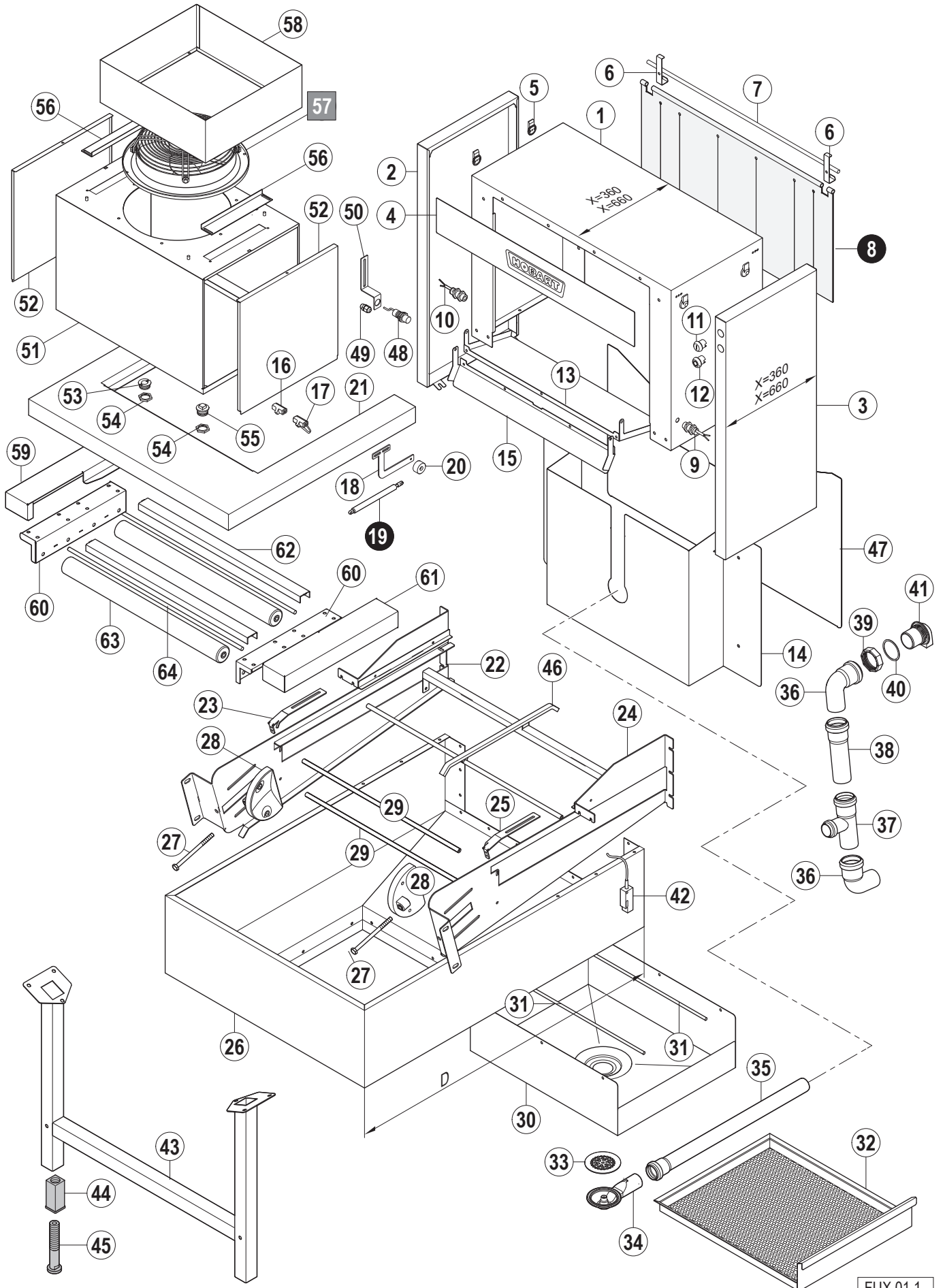
	ERKLÄRUNG	LEGEND	LEGENDE
1	Verschleißteile	Wearing parts	Pièces d'usure
1	Betriebswichtige Ersatzteile	Recommended spare parts	Pièces de rechange pour maintenance
(L / R)	Laufrichtung links / rechts	Operation direction left / right	Sens de marche gauche / droite
(R / L)	Laufrichtung rechts / links	Operation direction right / left	Sens de marche droite / gauche
BSP	Besteckspurbreite	Cutlery track width	Largeur de la piste des couverts

Inhalt	Kapitel
Zulaufstrecke	01
Waschmodul 1400	02
Spülmodul	03
Erhitzer	04
Füllsystem	05
Wärmerückgewinnung	06
Ausblasung	07
Trocknung DS, DSK	08
Auslauf	09
Schaltkasten	10
Türen und Verkleidungen	11
Dampfverrohrung	12
Trennmodul	13
Ketten - Transportsystem	14
Vorhänge	15

Content	Chapter
Loading section	01
Wash module 1400	02
Rinse module	03
Booster	04
Filling system	05
Heat recovery	06
Blow out unit	07
Drier DS, DSK	08
Unload section	09
Control box	10
Doors and panels	11
Steam piping	12
Disconnecting module	13
Chain - Conveyor system	14
Curtains	15

Sommaire	Chapitre
Zone d'entrée	01
Module de lavage 1400	02
Module de rinçage	03
Chaudière	04
Système de remplissage	05
Récupération de la chaleur	06
Unité de Sufflage	07
Séchage DS, DSK	08
Zone de déchargement	09
Coffret électrique	10
Portes et panneaux	11
Tuyauterie vapeur	12
Module de passage	13
Chaîne - Système du convoyeur	14
Rideaux	15

FUX
Zulaufstrecke
Loading section
Zone d'entrée





A Laufrichtung
Working direction
Sens de marche

B Bandbreite
Conveyor width
Largeur du convoyeur

C Durchlaufhöhe
Usable height
Hauteur de passage

D Länge
Length
Longueur

Pos.	A	B [mm]		C (D) [mm]	Bemerkung / Remarks / Remarques
		612	760		
01		01-245469-003	01-245469-007	560	x=360
		01-245469-018	01-245469-020	560	Absaugung / Exhaust extraction / Extraction des buées
		01-245468-014	01-245468-008	560	x=660
02		01-245756-004	=	560	x=360
		01-245756-012	=	560	x=660
03		01-245756-004	=	560	x=360
		01-245756-012	=	560	x=660
04		01-245247-001	01-245247-003		
05		00-325037-001	=		
06		01-245498-001	=		
07		01-245396-001	01-245396-003		
08		01-245398-004	01-245398-010	560	
09		00-695675-001	=		
10		00-695675-002	=		
11		00-887015-033	=		
12		00-887015-021	=		
13		01-245536-004	01-245536-005		x=360
		01-245536-012	01-245536-013		x=660
14		01-245601-001	01-245601-002		
15		01-245880-001	01-245880-002		
16		00-774641-001	=		
17		00-325477-001	=		
18		01-245578-001	=	---	
19		00-774756-001	=		
20		00-774714-001	=		
21		01-245475-003	01-245475-006	(800)	x=360
		01-245475-001	01-245475-004	(1100)	x=360
		01-245475-002	01-245475-005	(1400)	x=360
		01-245475-003	01-245475-006	(1100)	x=660
		01-245475-001	01-245475-004	(1400)	x=660
22		01-245474-003	=	(800)	x=360
		01-245474-001	=	(1100)	x=360
		01-245474-002	=	(1400)	x=360
		01-245474-005	=	(1100)	x=660
		01-245474-004	=	(1400)	x=660
23		00-774553-002	=		
24		01-245473-003	=	(800)	x=360
		01-245473-001	=	(1100)	x=360
		01-245473-002	=	(1400)	x=360
		01-245473-005	=	(1100)	x=660
		01-245473-004	=	(1400)	x=660
25		00-774553-001	=		
26		01-245477-001	01-245477-005	(500)	
		01-245477-004	01-245477-008	(800)	
		01-245477-002	01-245477-006	(1100)	
		01-245477-003	01-245477-007	(1400)	
27		00-604059-000	=		
28		00-774519-001	=		
		01-245921-001	=	(500)	links / left / gauche
		01-245921-002	=	(500)	rechts / right / droite



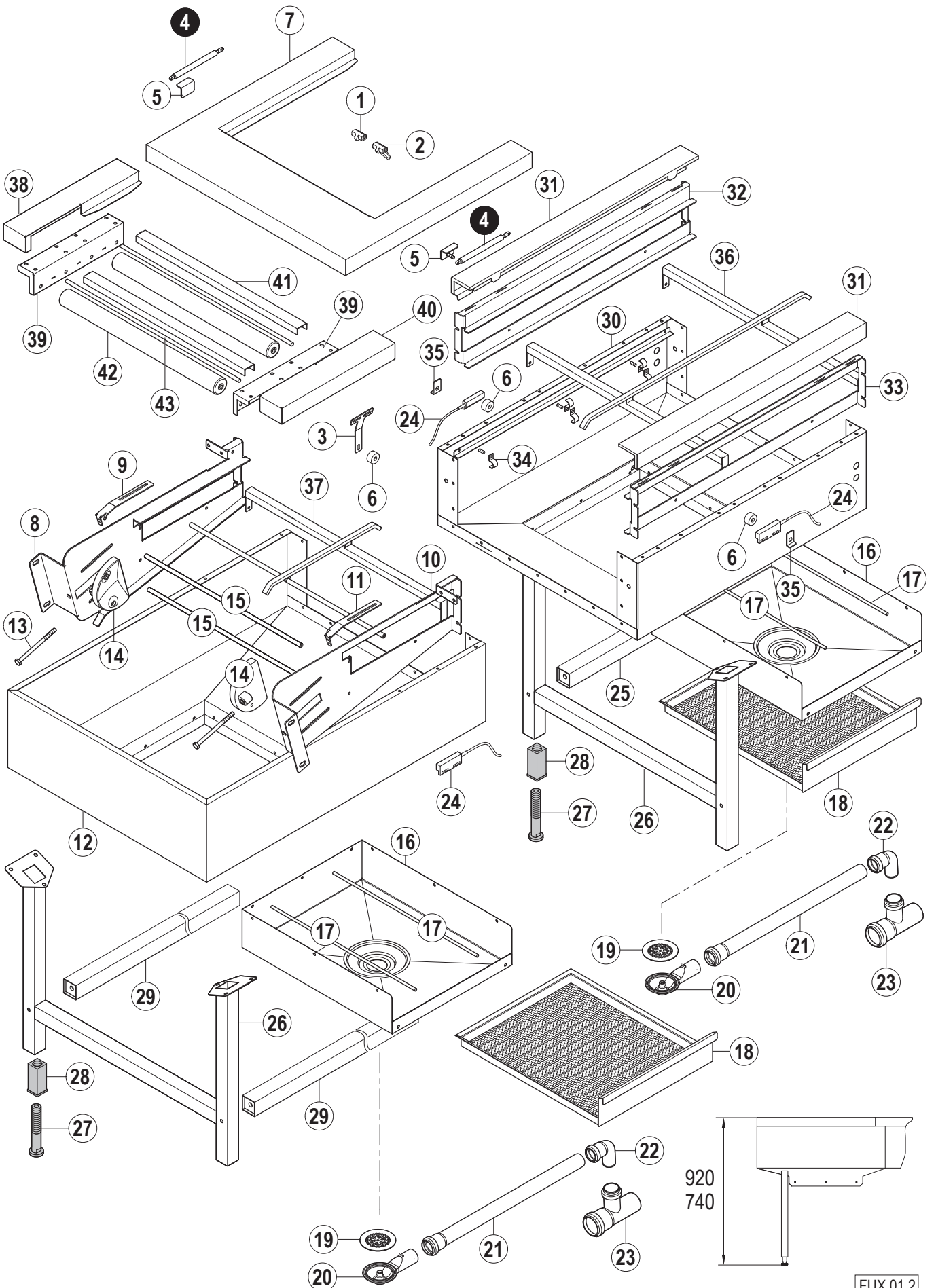
A Laufrichtung
Working direction
Sens de marche

B Bandbreite
Conveyor width
Largeur du convoyeur

C Durchlaufhöhe
Usable height
Hauteur de passage

D Länge
Length
Longueur

Pos.	A	B [mm]		C (D) [mm]	Bemerkung / Remarks / Remarques
		612	760		
29		00-325224-001	00-325224-011		
30		01-245470-001	01-245470-002		
31		01-245146-002	01-245146-003		
32		01-245381-001	01-245381-003		
33		01-245107-001	=		
34		01-245109-001	=		
35		---	---	(500)	
		00-325706-013	=	(800)	
		00-325706-003	=	(1100)	
		00-325706-001	=	(1400)	
36		00-230080-001	=		
37		00-323593-002	=		
38		00-229679-026	=		
39		01-245165-001	=		
40		01-245460-001	=		
41		01-245112-001	=		
42		00-775491-001	=		
43		01-245834-004	01-245834-005		nur bei Zulaufstrecke 3 / only with loading section 3 /seulement avec zone d'entrée 3
44		00-325008-001	=		
45		00-325007-001	=		
46		---	01-245858-001	(800)	
		---	01-245858-002	(1100)	
		---	01-245858-003	(1400)	
47		01-245520-003	01-245520-006	(500)	
48		01-297017-001	=		
49		00-695661-001	=		
50		01-297018-001	=		
51		01-293408-004	01-293408-003		
52		01-245206-001	=		
53		01-245539-001	=		
54		01-172739-002	=		
55		00-630412-000	=		
56		00-228336-000	=		
57		00-325611-001	00-325871-001		
58		01-245744-001	=		
59		01-296142-008	=		
60		01-296765-001	=		
61		01-296142-007	=		
62		01-296145-001	01-296145-003		
63		00-303519-002	00-303519-015		
64		00-698095-003	00-698095-022		





A Laufrichtung
Working direction
Sens de marche

B Bandbreite
Conveyor width
Largeur du convoyeur

C Durchlaufhöhe
Usable height
Hauteur de passage

D Länge
Length
Longueur

Pos.	A	B [mm]		C (D) [mm]	Bemerkung / Remarks / Remarques
		612	760		
01		00-774641-001	=		
02		00-325477-001	=		
03		01-245861-001	=		
04		00-774756-001	=		
05		00-774732-001	=		
06		00-774714-001	=		
07		01-245475-001	01-245475-004	(800)	
		01-245475-002	01-245475-005	(1100)	
		01-245475-002	01-245475-005	(1400)	
08		01-245797-001	=	(800)	
		01-245797-002	=	(1100)	
		01-245797-003	=	(1400)	
09		00-774553-002	=	---	
10		01-245796-001	=	(800)	
		01-245796-002	=	(1100)	
		01-245796-003	=	(1400)	
11		00-774553-001	=		
12		01-245881-001	01-245881-006	(800)	
		01-245881-002	01-245881-007	(1100)	
		01-245881-003	01-245881-008	(1400)	
13		00-604059-000	=		
14		00-774519-001	=		
15		00-325224-001	00-325224-011		
16		01-245470-001	01-245470-002		
17		01-245146-002	01-245146-003		
18		01-245381-001	01-245381-003		
19		01-245107-001	=		
20		01-245109-001	=		
21		00-325706-003	=		
22		00-230080-002	=		
23		00-323593-002	=		
24		00-229517-002	=		
25		01-245884-004	=		
26		01-245834-004	01-245834-005		h=920
		01-245834-001	01-245834-002		h=740
27		00-325007-001	=		
28		00-325008-001	=		
29		01-245884-001	=	(800)	
		01-245884-002	=	(1100)	
		01-245884-003	=	(1400)	
30		01-245734-001	01-245734-002		
31		01-245792-001	=		x=360
		01-245797-002	=		x=660
32		01-245789-001	=		x=360
		01-245789-002	=		x=660
33		01-245788-001	=		x=360
		01-245788-002	=		x=660
34		00-226937-001	=		
35		00-774795-001	=		
36		---	01-245859-003		



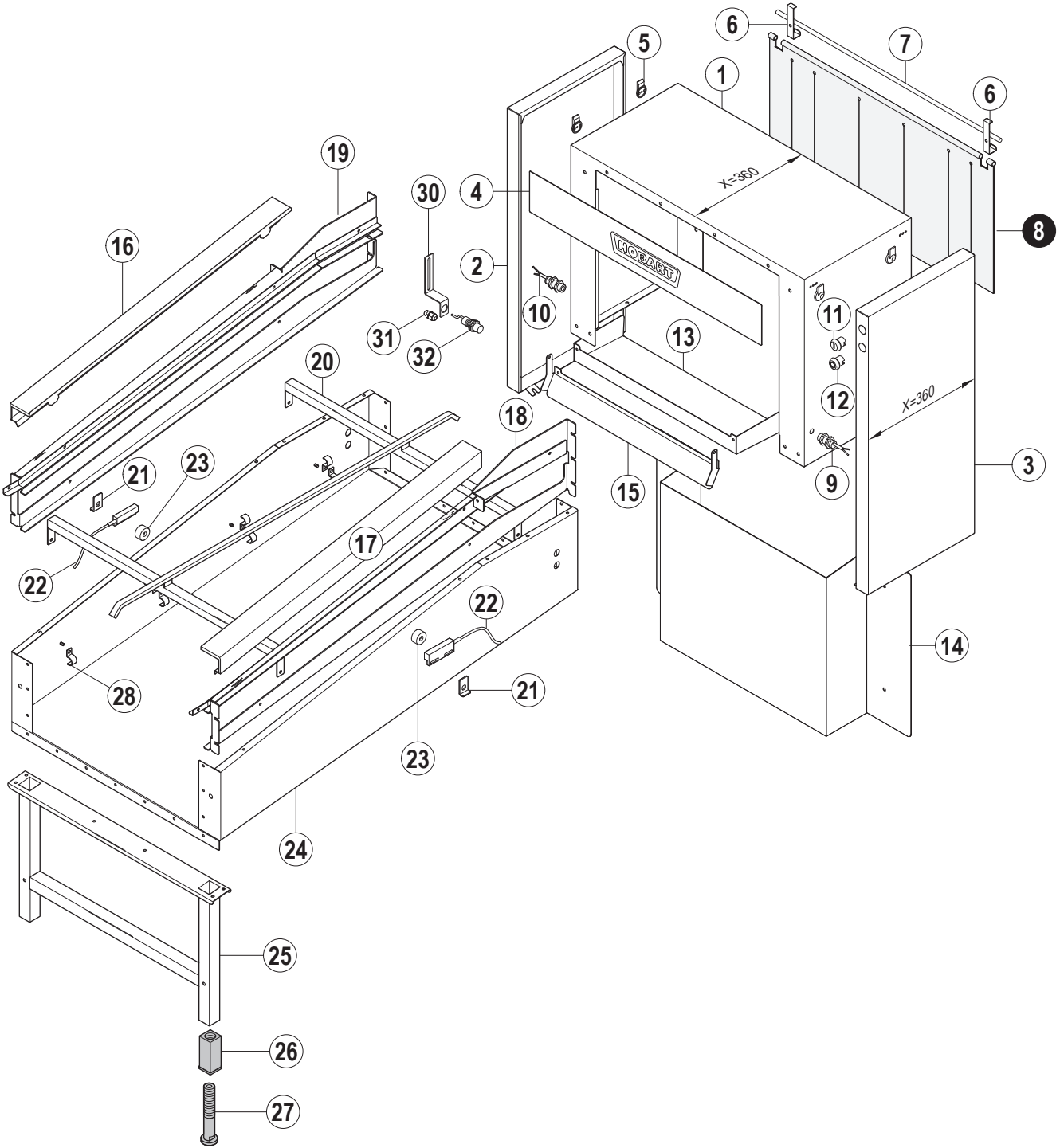
A Laufrichtung
Working direction
Sens de marche

B Bandbreite
Conveyor width
Largeur du convoyeur

C Durchlaufhöhe
Usable height
Hauteur de passage

D Länge
Length
Longueur

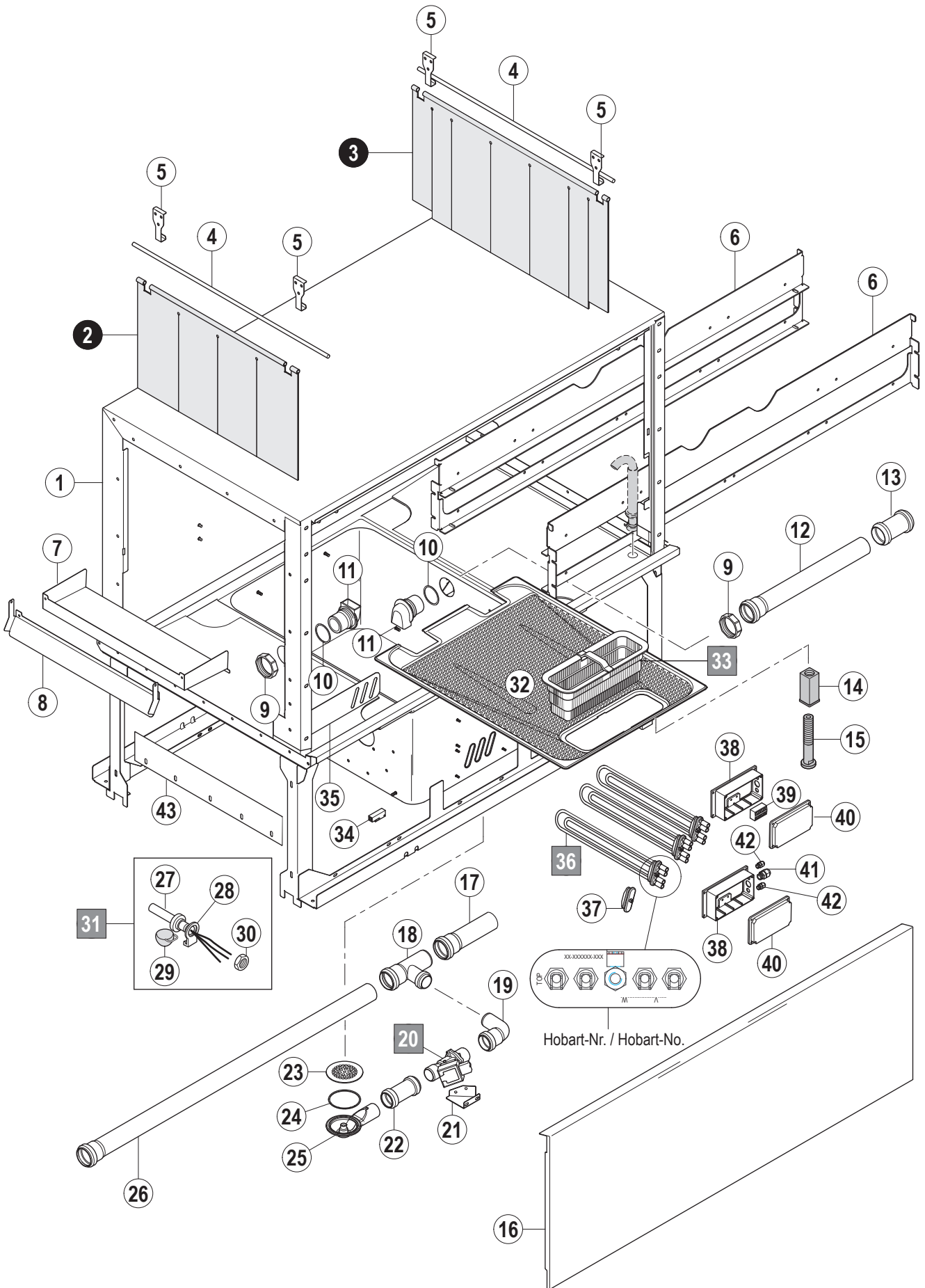
Pos.	A	B [mm]		C (D) [mm]	Bemerkung / Remarks / Remarques
		612	760		
37		---	01-245858-001	(800)	
		---	01-245858-002	(1100)	
		---	01-245858-003	(1400)	
38		01-296142-008	=		
39		01-296765-001	=		
40		01-296142-007	=		
41		01-296145-001	01-296145-003		
42		00-303519-002	00-303519-015		
43		00-698095-003	00-698095-022		



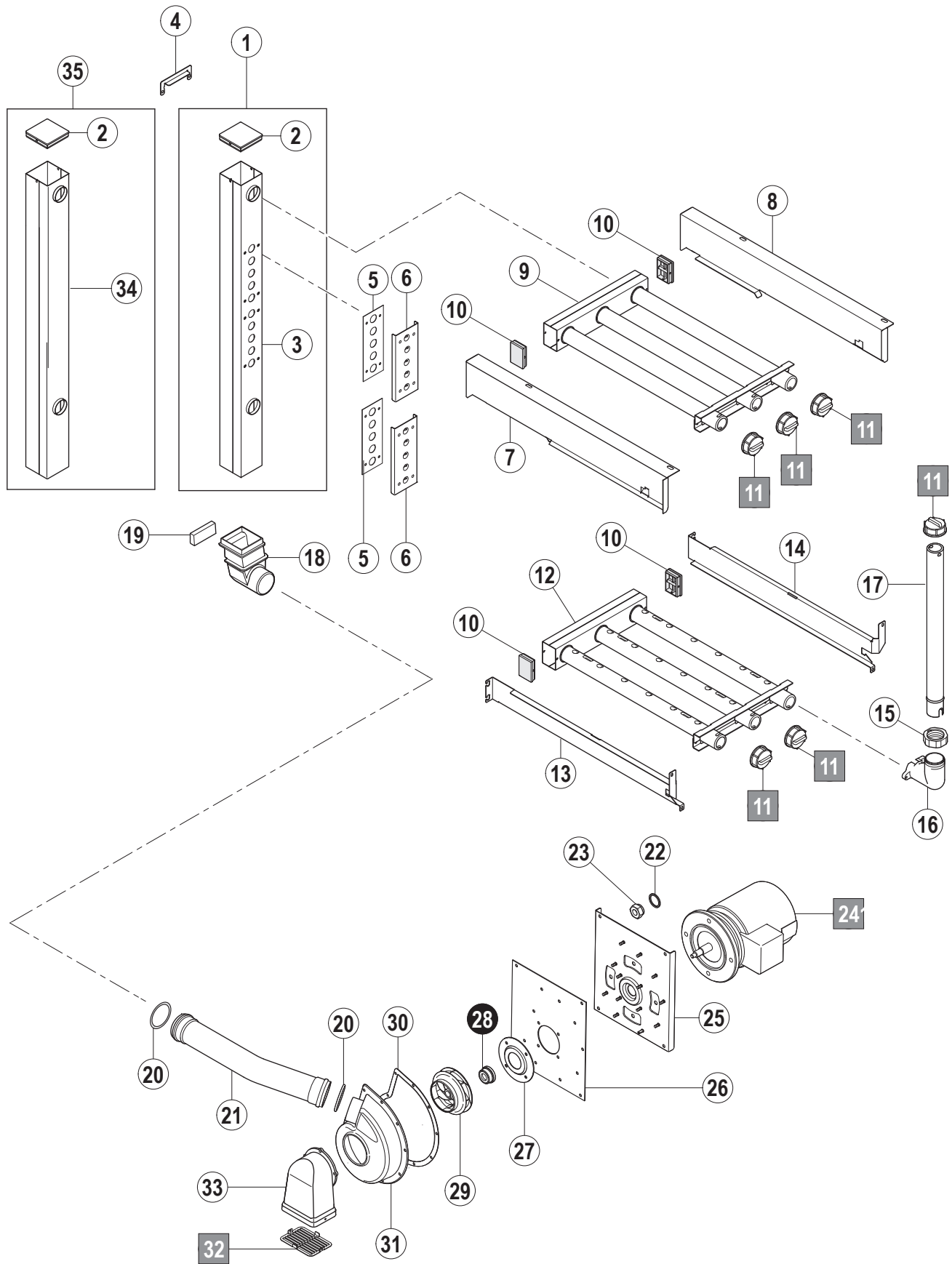
FUX 01.3

Pos.	A	B [mm]		C (D) [mm]	Bemerkung / Remarks / Remarques
		612	760		
01		01-245469-003	01-245469-007	560	x=360
02		01-245756-004	=	560	x=360
03		01-245756-004	=	560	x=360
04		01-245247-007	01-245247-008		
05		00-325037-001	=		
06		01-245498-001	=		
07		01-245396-001	01-245396-003		
08		01-245398-004	01-245398-010	560	
09		00-695675-001	=		
10		00-695675-002	=		
11		00-887015-033	=		
12		00-887015-021	=		
13		01-245536-001	01-245536-002		x=360
14		01-245601-004	01-245601-005		
15		01-245880-001	01-245880-002		
16		01-245823-001	=		
17		01-245822-001	=		
18		01-245815-001	=		
19		01-245816-001	=		
20		---	01-245859-001		
21		00-774795-001	=		
22		00-229517-002	=		
23		00-774714-001	=		
24		01-245804-001	01-245804-002		
25		01-245833-001	01-245833-002		
26		00-325008-001	=		
27		00-325007-001	=		
28		00-226937-001	=		

FUX**Waschmodul 1400****Wash module 1400****Module de lavage 1400**

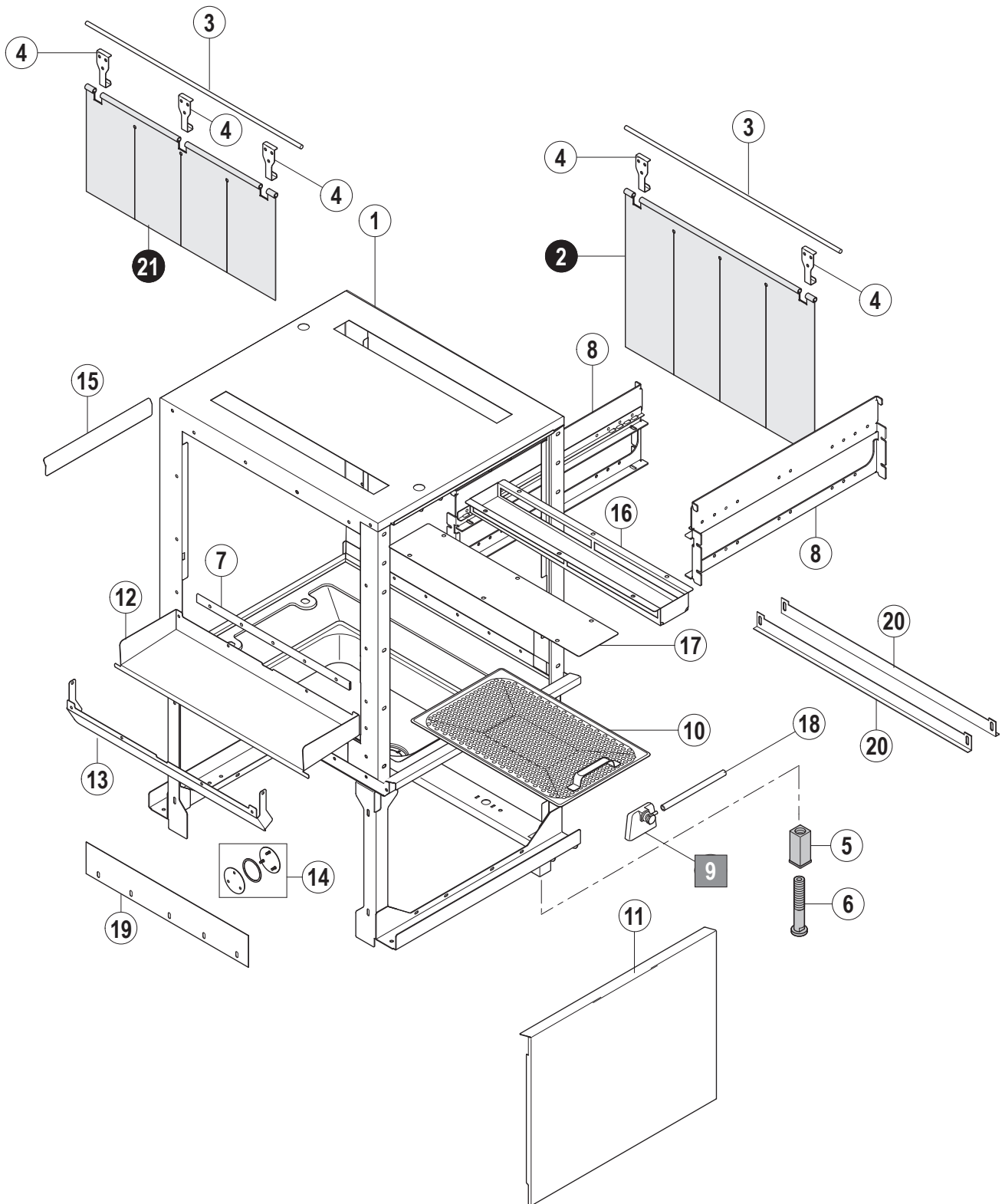


Pos.	A	B [mm]		C (D) [mm]	Bemerkung / Remarks / Remarques
		612	760		
01	L/R	01-296030-007	01-245401-018	560	
	R/L	01-296030-008	01-245401-019	560	
02		01-245398-005	01-245398-011	560	
03		01-245398-004	01-245398-010	560	
04		01-245396-001	01-245396-003		
05		01-245395-001	=		
06		01-245011-002	=		
07		01-245536-001	01-245536-002		
08		01-245880-001	01-245880-002		
		01-245536-004	01-245536-005	250	SZ/AZ
09		01-245165-001	=		
10		01-245460-001	=		
11		01-245112-001	=		
12		00-229679-002	=		
13		00-229680-001	=		
14		00-328008-001	=		
15		00-325007-001	=		
16		01-245190-002	=		
17		00-229679-011	=		
18		00-323593-002	=		
19		00-230080-002	=		
20		00-774683-001	=		
21		01-245294-001	=		
22		00-692283-002	=		
23		01-245107-001	=		
24		01-245340-004	=		
25		01-245109-001	=		
26		00-229679-017	=		
27		00-229519-000	=		
28		00-112467-000	=		
29		00-122674-000	=		
30		00-602476-000	=		
31		01-245621-001	=		
32		01-245047-001	01-245047-003		
33		01-245170-010	=		Kunststoff / plastic / plastique
		01-245867-001	=		CrNi / SST / inox
34		00-775491-001	=		
35		01-245372-001	=		
36					Nr. siehe Flansch / no. see flange / no. voir bride
37		00-774808-001	=		
38		01-245373-001	=		
39		00-325025-000	=		
40		01-245374-001	=		
41		00-695661-003	=		
42		00-695661-001	=		
43		01-298692-002	01-298692-003		



Pos.	A	B [mm]		C (D) [mm]	Bemerkung / Remarks / Remarques
		612	760		
01		01-245669-012	=	560	
02		01-245086-002	=		
03		01-245110-012	=		
04		01-245979-002	=		
05		00-230231-002	=		
06		01-245428-002	=		
07		01-245332-002	01-245332-004		
08		01-245333-009	01-245333-011		
09		01-245106-028	01-245492-040		mit seitlicher Waschung / with sidewash / avec lavage latéral
10		01-245086-001	=		
11		01-245084-001	=		
12		01-245106-027	01-245492-044		
13		01-245331-001	01-245331-003		
14		01-245331-002	01-245331-004		
15		01-245424-001	=		
16		01-245423-001	=		
17	L/R	01-296209-001	=		
	R/L	01-296209-002	=		
18		01-245055-001	=		
19		01-511308-001	=		
20		01-245340-003	=		
21		01-245277-002	01-245277-003		
23		00-602504-000	=		
24		01-245176-...	=		siehe Schaltplan / see wiring diagram / voir schéma de câblage
25		01-245835-001	=		
26		01-245386-001	=		
27		01-245135-002	=		
28		01-245033-002	=		
29		01-245088-003	=		
30		01-245459-001	=		
31		01-245459-001	=		
32		01-245377-004	=		
33		01-245713-002	=		
34		01-245110-002	=		
35		01-245669-002	=		

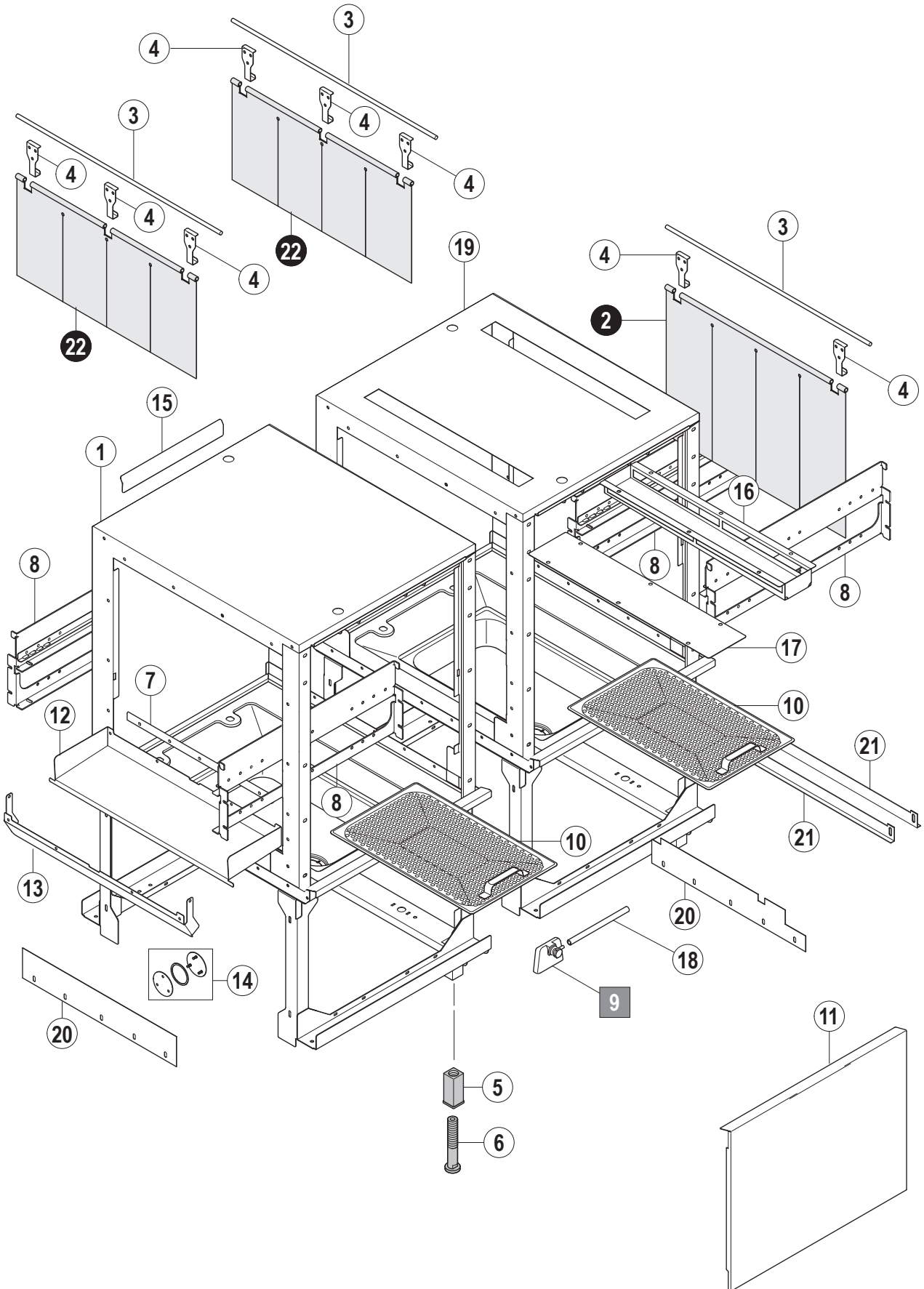
FUX
Spülmodul
Rinse module
Module de rinçage



Pos.	A	B [mm]		C (D) [mm]	Bemerkung / Remarks / Remarques
		612	760		
01		01-245048-016	01-245522-012	560 (650)	TBR
		01-245048-008	01-245522-008	560 (650)	
02		01-245398-005	01-245398-011	560	
03		01-245396-001	01-245396-003		
04		01-245395-001	=		
05		00-325008-001	=		
06		00-325007-001	=		
07		01-245324-001	01-245324-002		
08		01-245011-005	=	(650)	
09		00-324858-001	=		Kunststoff / plastic / plastique
		00-784356-001	=		CrNi / SST / inox
10		01-245118-001	=		
11		01-245190-004	=	(650)	
12		01-245536-001	01-245536-002		
13		01-245880-001	01-245880-002		
14		01-245679-001	=		
15		01-245769-001	=		
16		01-291796-003	01-291796-004		
17		01-245809-005	01-245809-006		
18		00-324402-008	=		
19		01-298692-002	01-298692-003		
20		01-511344-001	01-511344-002		
21		01-245398-027	01-245398-028		

Pos.	A	B [mm]		C (D) [mm]	Bemerkung / Remarks / Remarques
		612	760		
01		01-245743-002	=		
02		01-245318-002	=		
03		01-245340-001	=		
04		00-884505-002	=		
05		00-885572-001	=		
06		01-245323-002	=		
07		01-245255-001	01-245255-002		
08	L/R	01-245063-003	=		
	R/L	01-245063-002	=		
09		01-245062-001	=		
10		01-245058-001	01-245058-002		
11		01-245059-001	=		
12		01-245059-002	=		
13		01-245258-001	01-245258-002		
14		01-245327-001	=		
15		01-245318-001	=		
16		01-245483-001	=		
17		01-245329-001	=		
18		01-245340-002	=		
19		00-172739-009	=		
20		00-323945-022	=		
21		01-245571-003	=		
22		00-174047-001	=		
23		00-600542-000	=		
24		01-245857-002	=		
25		00-168611-009	=		
26		01-245850-001	=		
27		00-696936-018	=		
28		00-172986-027	=		
29		00-776670-001	=		
30		00-775750-001	=		
31		00-324053-000	=		
32		00-324056-000	=		
33		01-291536-001	=		
34		00-323945-053	=		
35		01-291527-002	=		
36		00-323593-001	=		
37		00-230080-002	=		
38		00-774683-001	=		
39		00-377340-003	=		
40		00-323593-002	=		
41		01-299238-001	=		
42		01-299243-001	=		
43		01-299242-001	=		
44		00-323592-001	=		
45		01-245571-001	=		
46		01-291679-001	=		
47		00-325706-010	=		
48		00-230080-003	=		
49		00-323594-001	=		

03.3

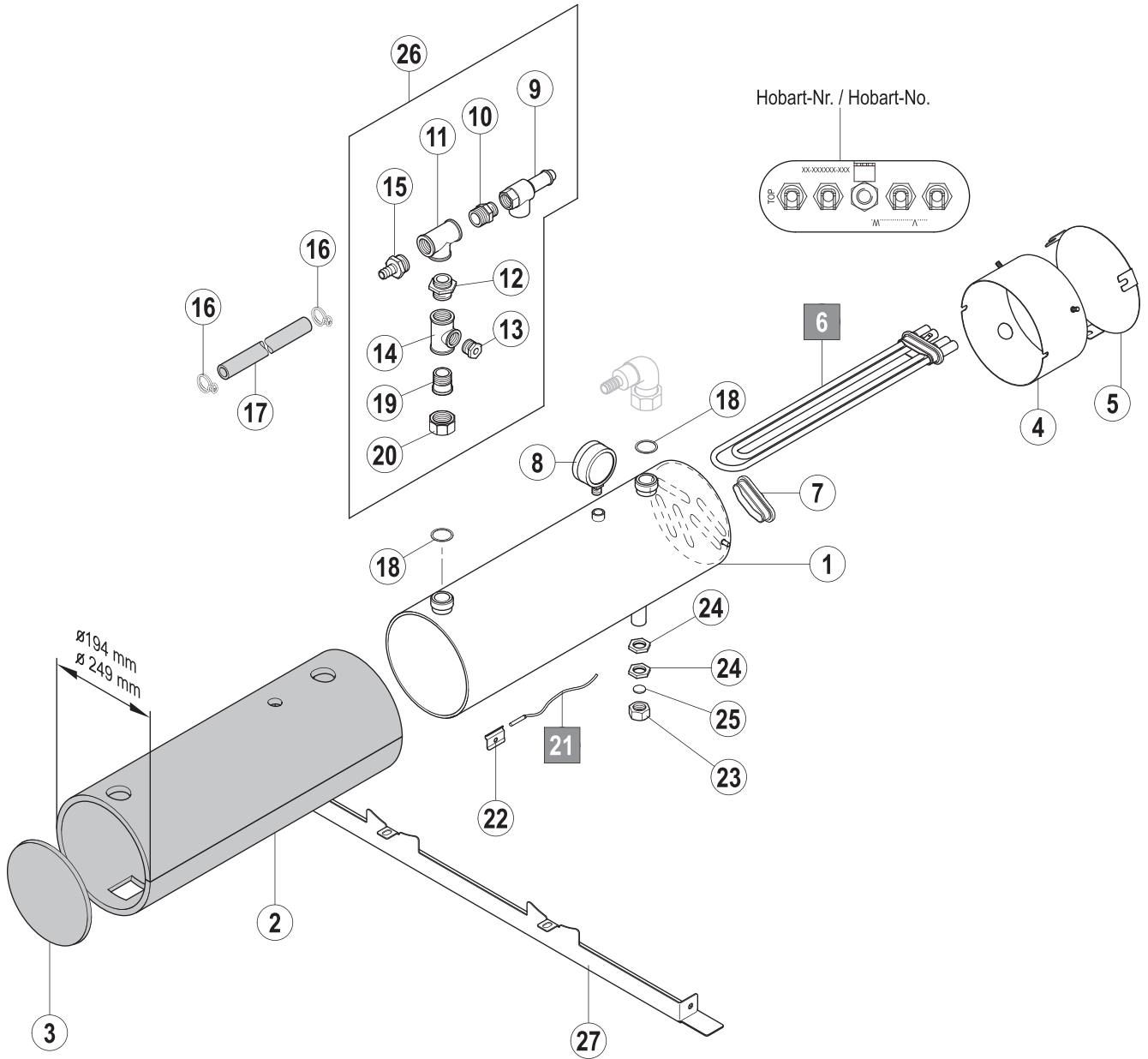


FUX 03.3

Pos.	A	B [mm]		C (D) [mm]	Bemerkung / Remarks / Remarques
		612	760		
01		01-245048-008	01-245522-008	560 (650)	
02		01-245398-005	01-245398-011	560	
03		01-245396-001	01-245396-003		
04		01-245395-001	=		
05		00-325008-001	=		
06		00-325007-001	=		
07		01-245324-001	01-245324-002		
08		01-245011-005	=	(650)	
09		00-324858-001	=		Kunststoff / plastic / plastique
		00-784356-001	=		CrNi / SST / inox
10		01-245118-001	=		
11		01-245190-004	=	(650)	
12		01-245536-001	01-245536-002		
13		01-245880-001	01-245880-002		
14		01-245679-001	=		
15		01-245769-001	=		
16		01-291796-003	01-291796-004		
17		01-245809-005	01-245809-006		
18		00-324402-008	=		
19		01-245048-016	01-245522-012	560 (650)	TBR
		01-245048-008	01-245522-008	560 (650)	
20		01-298692-002	01-298692-003		
21		01-511344-001	01-511344-002		
22		01-245398-027	01-245398-028		

FUX
Erhitzer
Booster
Chaudière

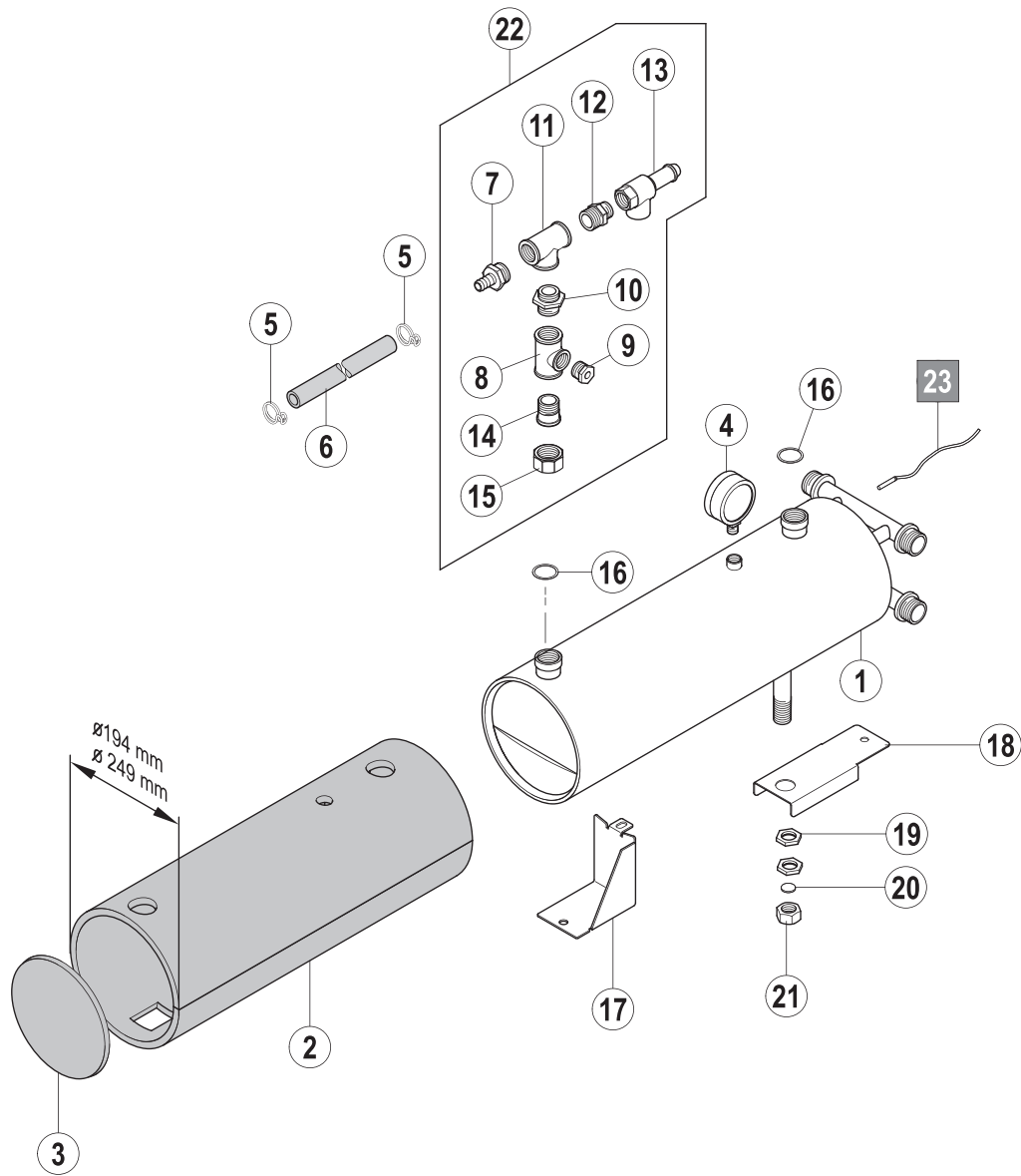
04.1



FUX 04.1

Pos.	A	[mm]		C (D) [mm]	Bemerkung / Remarks / Remarques
		ø 194	ø 249		
01		00-897637-001	01-241855-001		
02		00-897657-001	01-241874-001		
03		00-897657-002	01-241876-001		
04		01-249044-001	01-249044-002		
05		01-249043-001	01-249043-002		
06					Nr. siehe Flansch / no. see flange / no. voir bride
07		00-774808-001	=		
08		00-229583-001	=		
09		00-229621-001	=		
10		00-602757-000	=		
11		00-603163-000	=		
12		00-227931-000	=		
13		01-291287-001	=		
14		01-291288-001	=		
15		00-897680-001	=		
16		00-323945-022	=		
17		01-245571-002	=		
18		00-168611-003	=		
19		01-291286-001	=		
20		00-600806-000	=		
21		00-378584-000	=		
22		00-775489-001	=		
23		00-600588-000	=		
24		00-172739-001	=		
25		00-168611-022	=		
26		01-244435-001	=		
		B [mm]			
		612	760		
27		01-245768-004	01-245768-005		

04.2

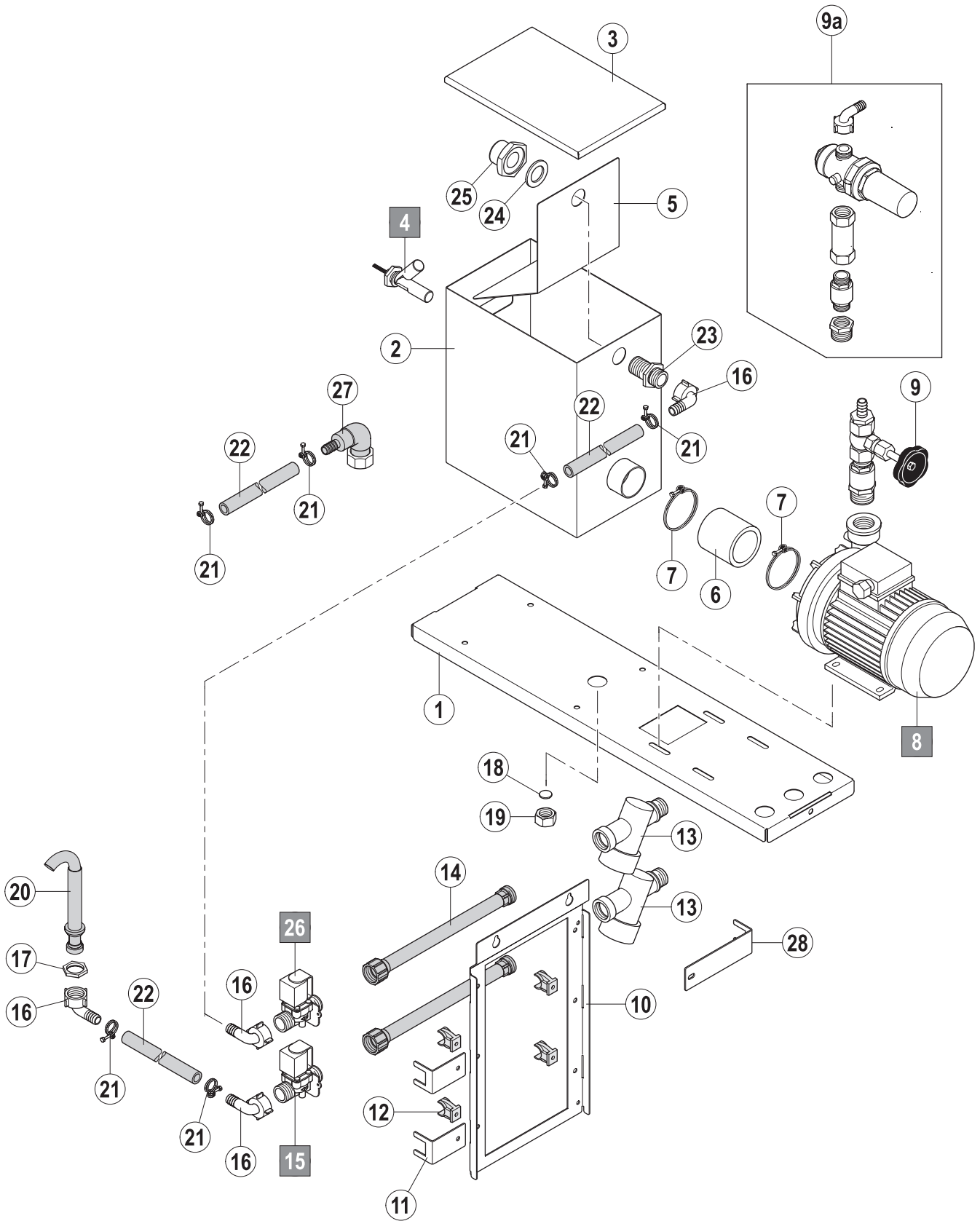


FUX 04.2

Pos.	A	[mm]		C (D) [mm]	Bemerkung / Remarks / Remarques
		ø 194	ø 249		
01		01-245564-001	01-245948-001		
02		00-897657-001	01-241874-001		
03		00-897657-002	01-241876-001		
04		00-229583-001	=		
05		00-323945-022	=		
06		01-245571-002	=		
07		00-897680-001	=		
08		01-291288-001	=		
09		01-291287-001	=		
10		00-227931-000	=		
11		00-603163-000	=		
12		00-602757-000	=		
13		00-229621-001	=		
14		01-291286-001	=		
15		00-600806-000	=		
16		00-168611-003	=		
17		01-245299-002	=		
18		01-245298-001	=		
19		00-172739-001	=		
20		00-168611-022	=		
21		00-600588-000	=		
22		01-244435-001	=		
23		00-378584-000	=		

FUX
Füllsystem
Filling system
Système de remplissage

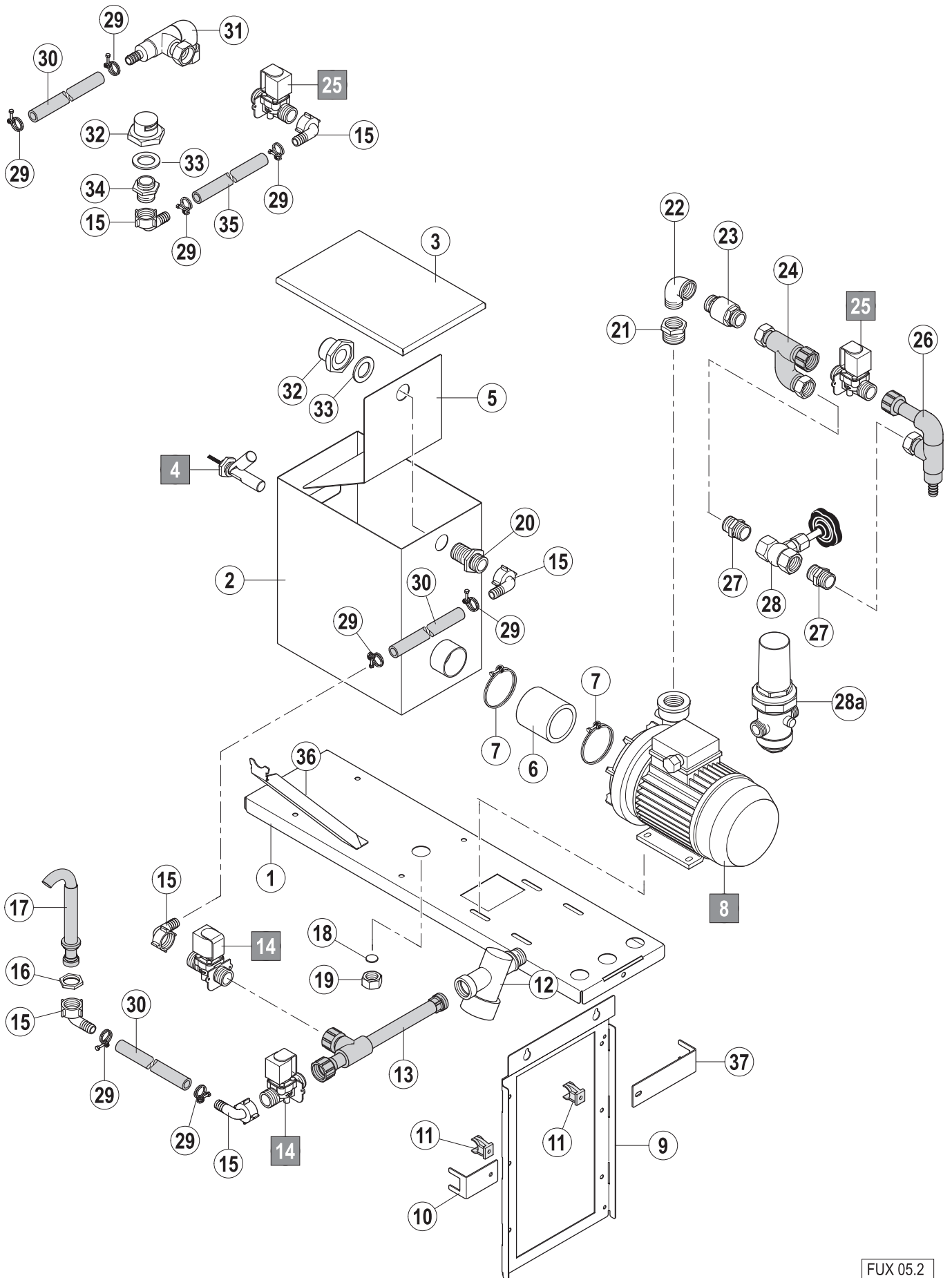
05.1



FUX 05.1

Pos.	A	B [mm]		C (D) [mm]	Bemerkung / Remarks / Remarques
		612	760		
01		01-245316-004	01-245316-005		
02		01-291153-001	=		
03		01-291152-001	=		
04		00-735171-002	=		
05		01-291323-001	=		
06		00-693255-003	=		
07		00-323945-072	=		
08		00-897662-...	=		siehe Schaltplan / see wiring diagram / voir schéma de câblage
09		01-241859-001	=		
09a		01-241859-002	=		alternativ / alternative / alternative
10		01-291121-001	=		
11		01-291324-001	=		
12		00-228810-002	=		
13		00-774810-001	=		
14		01-291004-003	=		
15		00-297808-012	=		
16		00-299240-001	=		
17		00-172739-002	=		
18		00-168611-022	=		
19		00-600588-000	=		
20		00-693299-001	=		
21		00-323945-022	=		
22		01-245571-003	=		
23		01-245850-001	=		
24		00-172986-027	=		
25		00-774670-001	=		
26		00-297808-012	=		
27		00-897694-001	=		
28		01-291324-002	=		

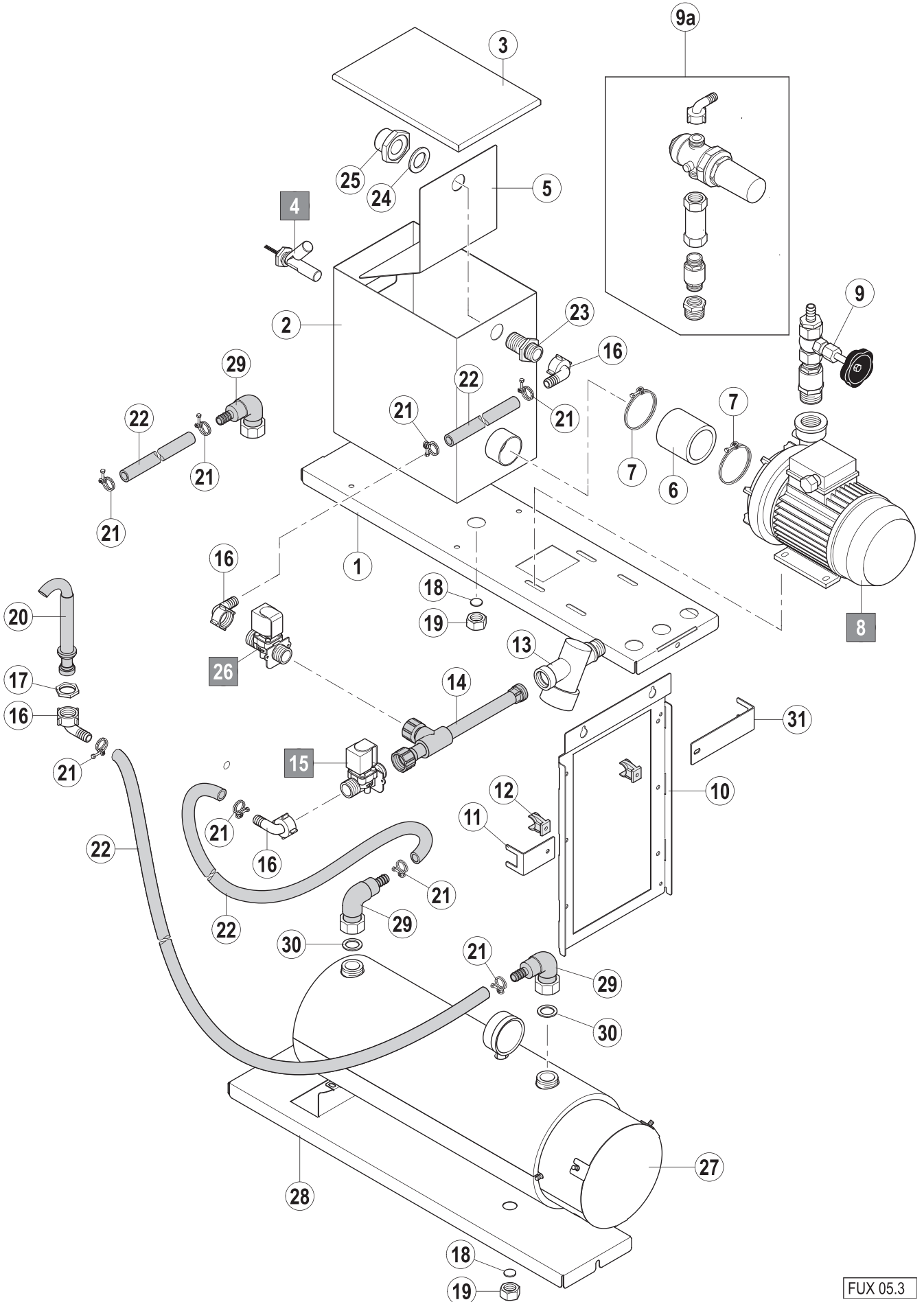
05.2



FUX 05.2

Pos.	A	B [mm]		C (D) [mm]	Bemerkung / Remarks / Remarques
		612	760		
01		01-245316-004	01-245316-005		
02		01-291153-001	=		
03		01-291152-001	=		
04		00-735171-002	=		
05		01-291323-001	=		
06		00-693255-003	=		
07		00-323945-072	=		
08		00-897662-...	=		siehe Schaltplan / see wiring diagram / voir schéma de câblage
09		01-291121-001	=		
10		01-291324-001	=		
11		00-228810-002	=		
12		00-774810-001	=		
13		01-291004-004	=		
14		00-297808-012	=		
15		00-299240-001	=		
16		00-172739-002	=		
17		00-693299-001	=		
18		00-168611-022	=		
19		00-600588-000	=		
20		01-245850-001	=		
21		00-603076-000	=		
22		00-602770-000	=		
23		00-897668-001	=		
24		01-245693-001	=		
25		00-297808-010	=		
26		01-245694-001	=		
27		00-603521-000	=		
28		01-241853-002	=		
28a		00-229110-002	=		alternativ / alternative / alternative
29		00-323945-022	=		
30		01-245571-003	=		
31		01-245560-002	=		
32		00-774670-001	=		
33		00-172986-027	=		
34		00-227931-000	=		
35		01-245571-002	=		
36		01-291969-001	=		
37		01-291324-002	=		

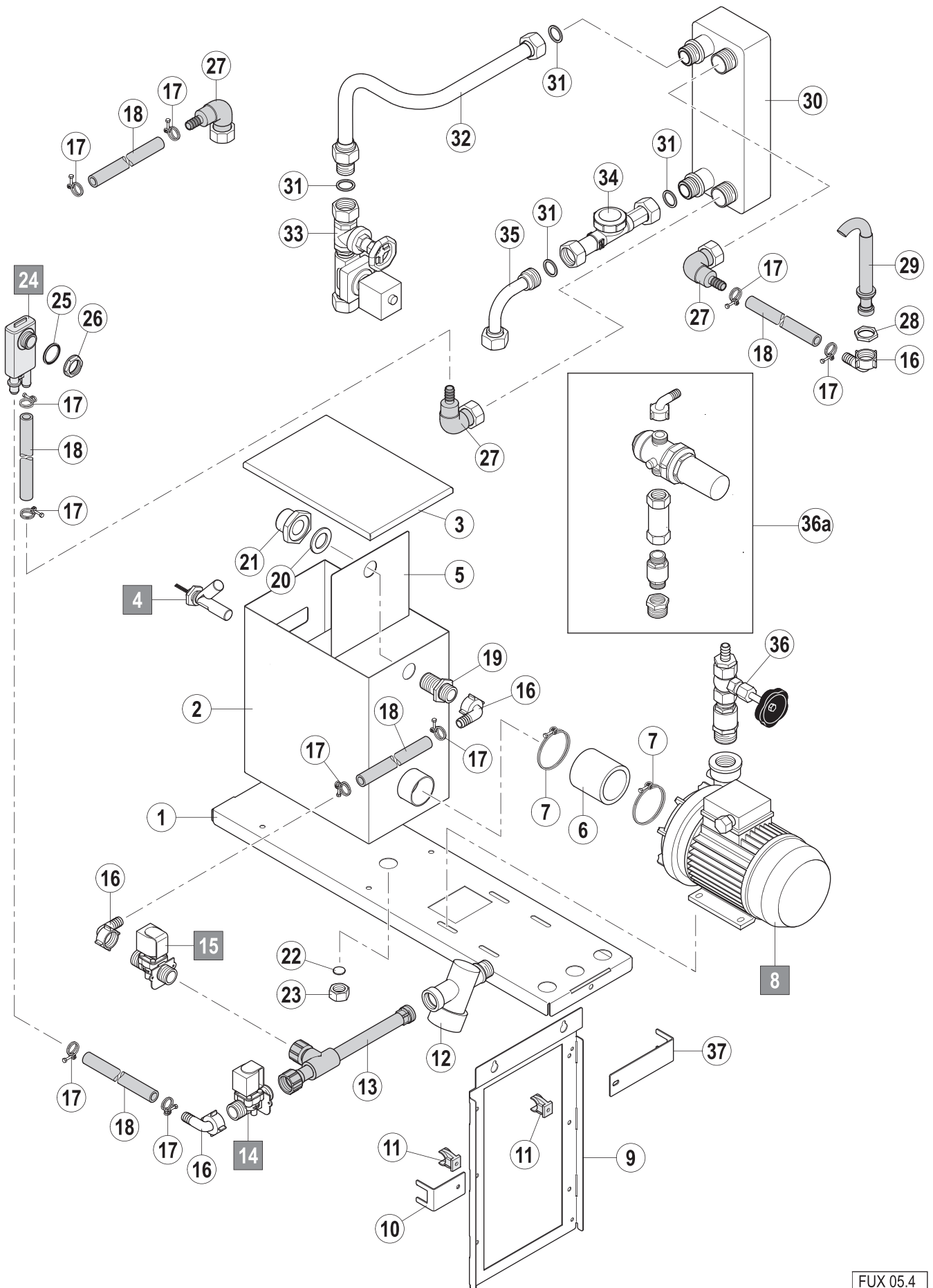
05.3



FUX 05.3

Pos.	A	B [mm]		C (D) [mm]	Bemerkung / Remarks / Remarques
		612	760		
01		01-245316-004	01-245316-005		
02		01-291153-001	=		
03		01-291152-001	=		
04		00-735171-002	=		
05		01-291323-001	=		
06		00-693255-003	=		
07		00-323945-072	=		
08		00-897662-...	=		siehe Schaltplan / see wiring diagram / voir schéma de câblage
09		01-241859-001	=		
09a		01-241859-002	=		alternativ / alternative / alternative
10		01-291121-001	=		
11		01-291324-001	=		
12		00-228810-002	=		
13		00-774810-001	=		
14		01-291004-004	=		
15		00-297808-010	=		
16		00-299240-001	=		
17		01-297808-008	=		
18		00-168611-022	=		
19		00-600588-000	=		
20		00-693299-001	=		
21		00-323945-022	=		
22		01-245571-003	=		
23		01-245850-001	=		
24		00-172986-027	=		
25		00-774670-001	=		
26		00-297808-012	=		
27		01-245506-009	=		
28		01-245923-001	01-245923-002		
29		00-897694-001	=		
30		00-168611-003	=		
31		01-291324-002	=		

05.4



FUX 05.4

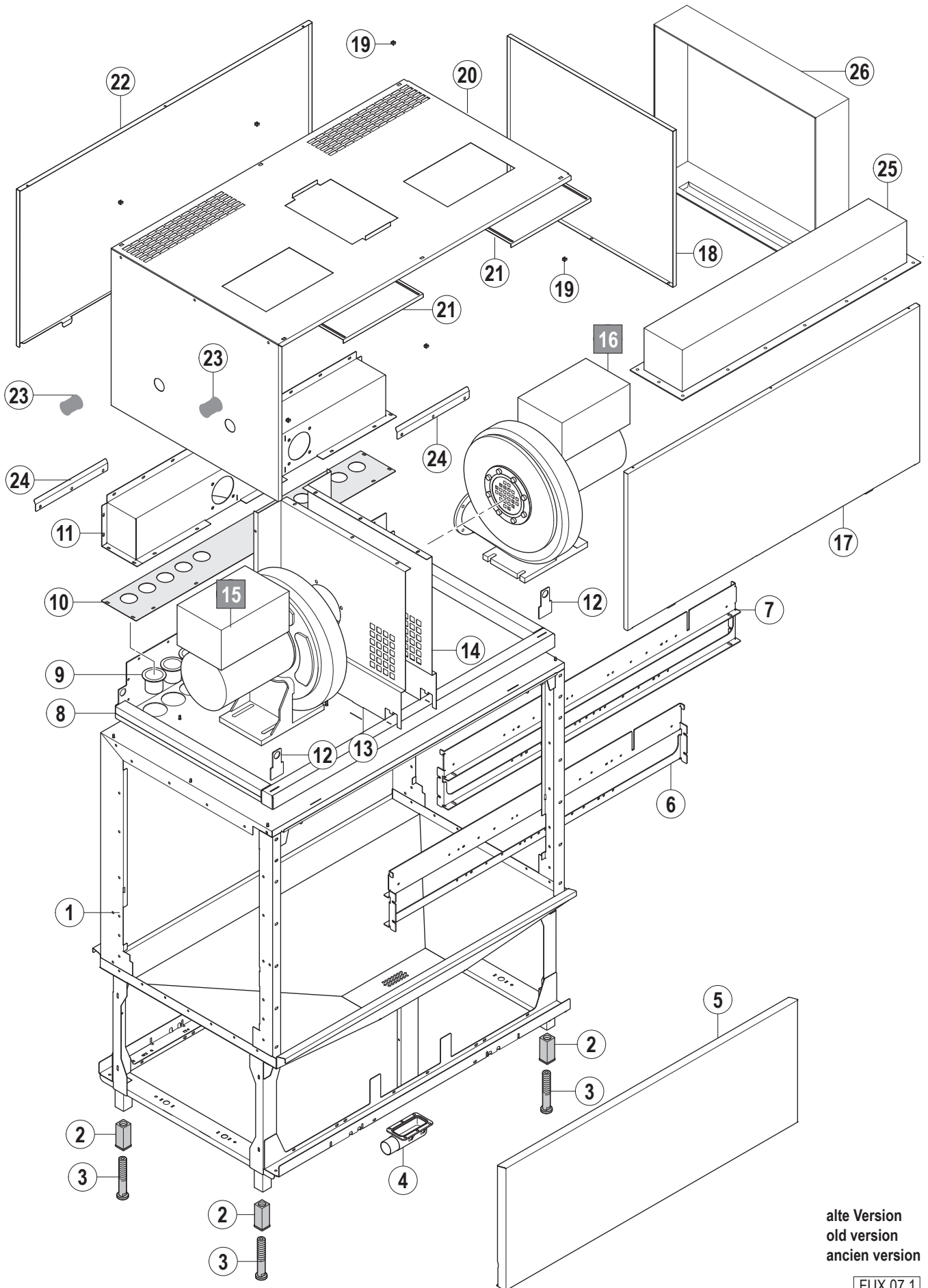
Pos.	A	B [mm]		C (D) [mm]	Bemerkung / Remarks / Remarques
		612	760		
01		01-245316-004	01-245316-005		
02		01-291153-001	=		
03		01-291152-001	=		
04		00-735171-002	=		
05		01-291323-001	=		
06		00-693255-003	=		
07		00-323945-072	=		
08		00-897662-...	=		siehe Schaltplan / see wiring diagram / voir schéma de câblage
09		01-291121-001	=		
10		01-291324-001	=		
11		00-228810-002	=		
12		00-774810-001	=		
13		01-291004-004	=		
14		00-297808-010	=		
15		00-297808-012	=		
16		00-299240-001	=		
17		00-323945-022	=		
18		01-245571-003	=		
19		01-245850-001	=		
20		00-172986-027	=		
21		00-774670-001	=		
22		00-168611-022	=		
23		00-600588-000	=		
24		00-775759-001	=		
25		00-775305-001	=		
26		00-324384-000	=		
27		00-897694-001	=		
28		00-172739-002	=		
29		00-693299-003	=		
30		01-245929-001	=		
31		00-302574-014	=		
32		01-245930-002	=		
33		01-245774-001	=		
34		01-245603-001	=		
35		01-245631-001	=		
36		01-241859-001	=		
36a		01-241859-002	=		alternativ / alternative / alternative
37		01-291324-002	=		

FUX
Wärmerückgewinnung
Heat recovery
Récupération de la chaleur

Pos.	A	B [mm]		C (D) [mm]	Bemerkung / Remarks / Remarques
		612	760		
01		01-245205-001	01-245205-002		
02		01-245206-001	=		
03		01-245490-001	01-245490-002		Standard
		01-245490-004	01-245490-005		CrNi / SST / inox
04		01-245274-001	01-245274-002		
05		01-245550-001	=		
06		00-325611-001	00-325871-001		
07		01-245744-001	=		
08		00-325037-001	=		
09		00-785565-004	=		
10		00-227748-004	=		
11		00-227748-001	=		
12		01-245539-001	=		
13		00-172739-002	=		
14		00-630412-000	=		
15		00-774336-002	=		
16		01-245752-001	=		
17		01-245745-001	=		
18		00-325806-001	00-325806-002		
19		01-245746-001	=		
20		00-896396-001	=		
21		01-245747-001	=		
22		00-775078-001	=		
23		00-296927-001	=		
24		00-896390-001	=		

FUX
Ausblasung
Blow out unit
Unité de Sufflage

07.1



alte Version
old version
ancien version

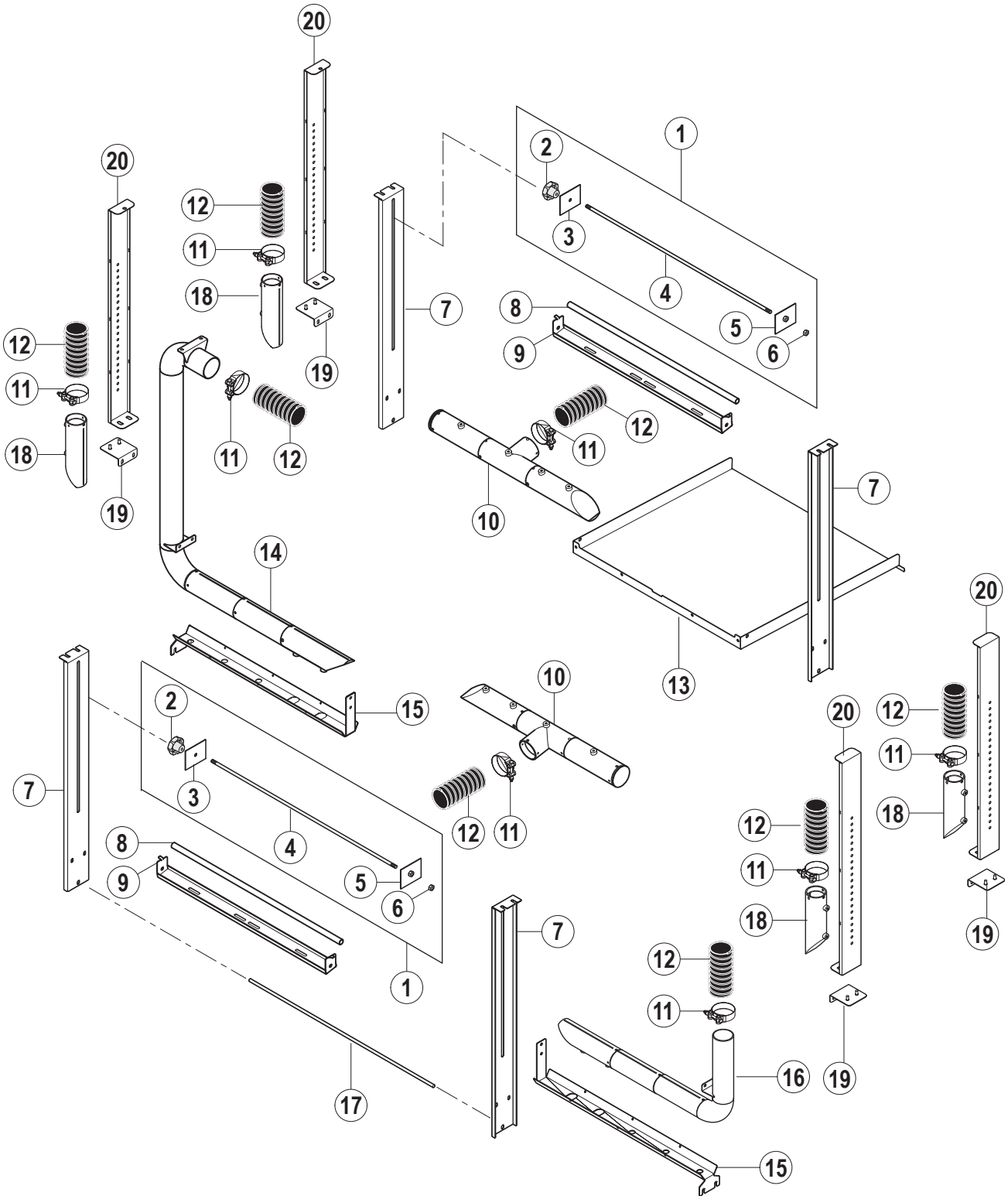
FUX 07.1

Pos.	A	B [mm]		C (D) [mm]	Bemerkung / Remarks / Remarques
		612	760		
01		01-299833-004	01-299833-007		
02		00-325008-001	=		
03		00-325007-001	=		
04		00-325529-001	=		
05		01-245190-021	=		
06		01-245011-011	=		
07		01-245011-011	=		
08		01-299223-003	01-299223-004		
09		01-299805-003	=		
10		01-299212-001	=		
11		01-299211-001	=		
12		01-299213-001	=		
13		01-299219-003	01-299219-004		
14		01-299218-003	01-299218-004		
15		01-243580-004	=		
16		01-243580-001	=		
17		01-245244-006	=		
18		01-299214-002	01-299214-004		
19		00-774336-002	=		
20		01-299225-003	01-299225-004		
21		01-299229-001	=		
22		01-245244-005	=		
23		00-325186-001	=		
24		01-245769-001	=		
25		01-299222-001	=		DS
		01-299222-002	=		DSK
		01-299222-003	=		ohne Trocknung / without drying / sans séchage
26		01-296511-001	01-296511-002		

Pos.	A	B [mm]		C (D) [mm]	Bemerkung / Remarks / Remarques
		612	760		
01		01-299833-014	01-299833-017		
02		00-325008-001	=		
03		00-325007-001	=		
04		00-325529-001	=		
05		01-245190-021	=		
06		01-291274-001	=		
07		01-296998-002	=		
08		01-296998-001	=		
09		01-296887-001	=		
10		01-245769-001	=		
11		01-518221-003	01-518221-004		
12		01-296885-001	=		
13		01-518364-001	01-518364-002		
14		01-244683-006	01-244683-008		
15		01-296895-001	=		
16		01-243580-006	=		
17		01-296761-001	=		
18		00-869038-001	=		
19		00-783812-001	=		
20		01-296897-003	01-296897-004		
21		01-296896-003	01-296896-004		
22		01-243580-005	=		
23		01-291274-008	=		
24		01-518222-003	01-518222-004		
25		01-518363-001	=		
26		01-244683-005	01-244683-007		
27		01-518365-001	01-518365-002		
28		00-325186-001	=		
29		01-518362-001	=		
30		01-296511-001	01-296511-002		
31		01-299222-001	=		DS
		01-299222-002	=		DSK
		01-299222-003	=		ohne Trocknung / without drying / sans séchage

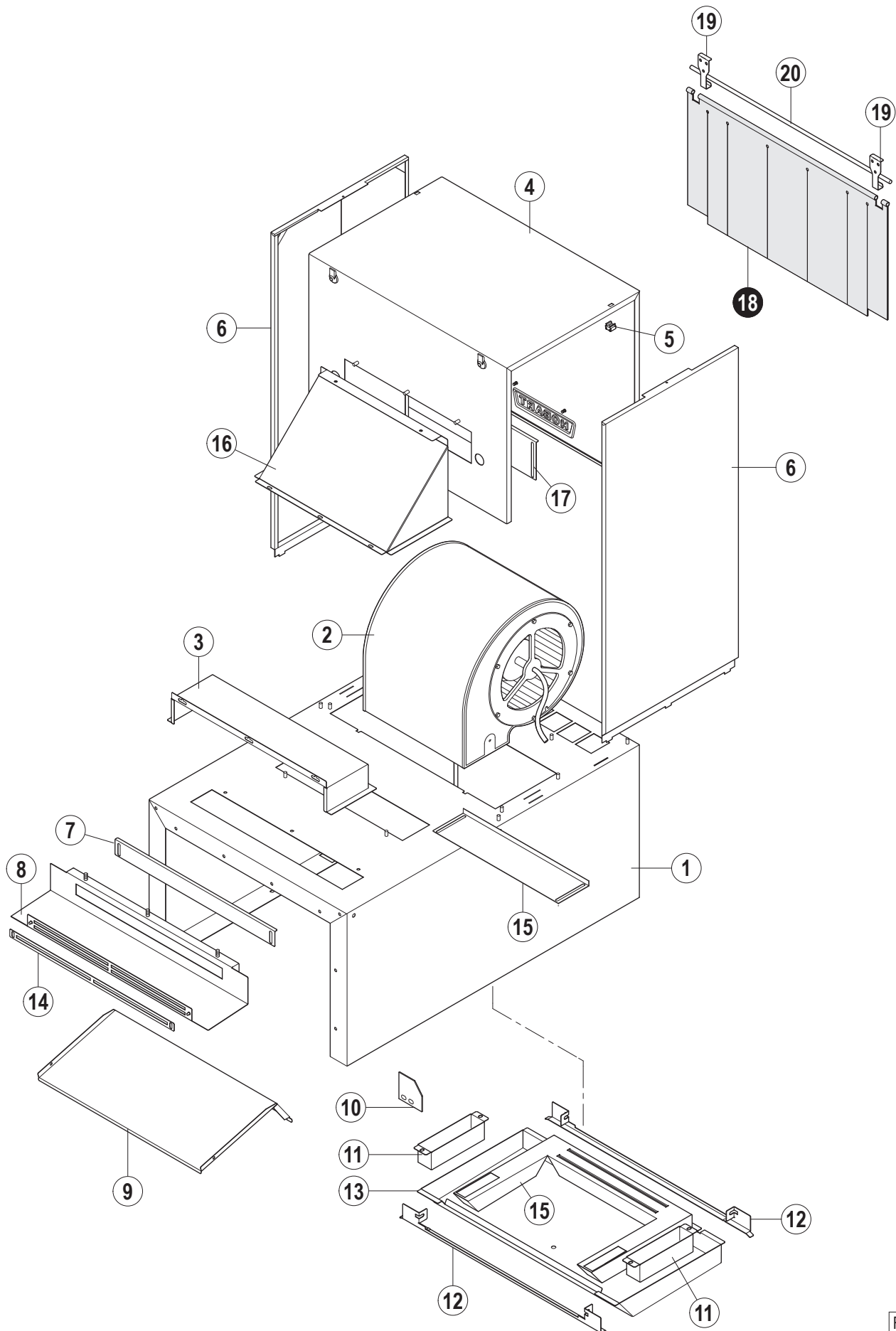
07.2

07.3



Pos.	A	B [mm]		C (D) [mm]	Bemerkung / Remarks / Remarques
		612	760		
01		01-296572-008	01-296572-009		
02		00-605060-00	=		
03		00-372891-104	=		
04		00-697973-016	00-697973-019		
05		00-697974-002	=		
06		00-602492-000	=		
07		01-296492-002	=		
08		01-243943-011	01-243943-012		
09		01-296493-001	01-296493-002		
10		01-296495-005	01-296495-006		
11		00-869038-001	=		
12		00-783812-001	=		
13		01-245536-009	01-245536-010		
14		01-296495-009	01-296495-010		
15		01-296494-001	01-296494-002		
16		01-296495-001	01-296495-002		
17		00-697973-016	00-697973-019		
18		01-299236-001	=		
19		01-296760-001	=		
20		01-296499-002	=		

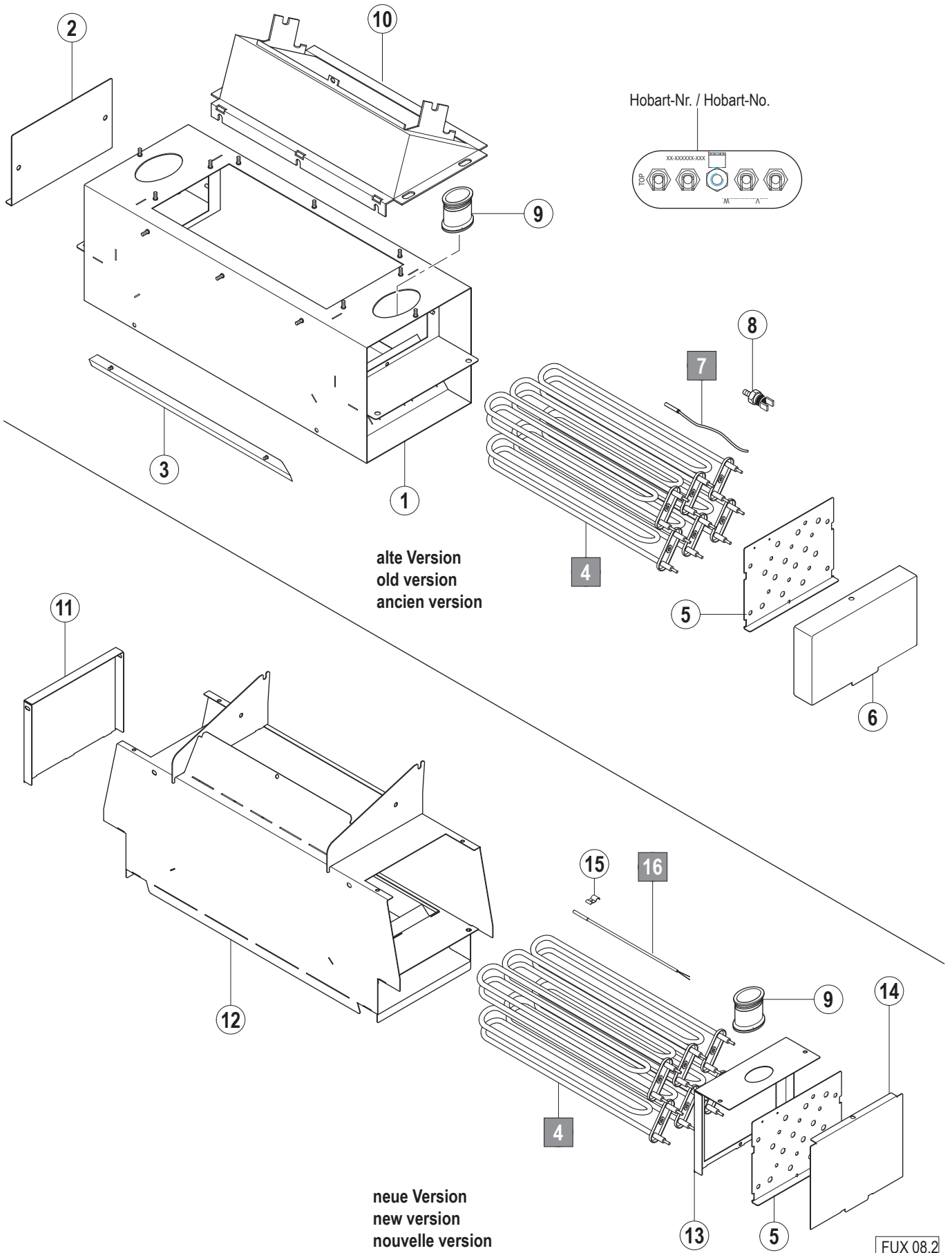
FUX**Trocknung (DS, DSK)****Drier (DS, DSK)****Séchage (DS, DSK)**



08.1

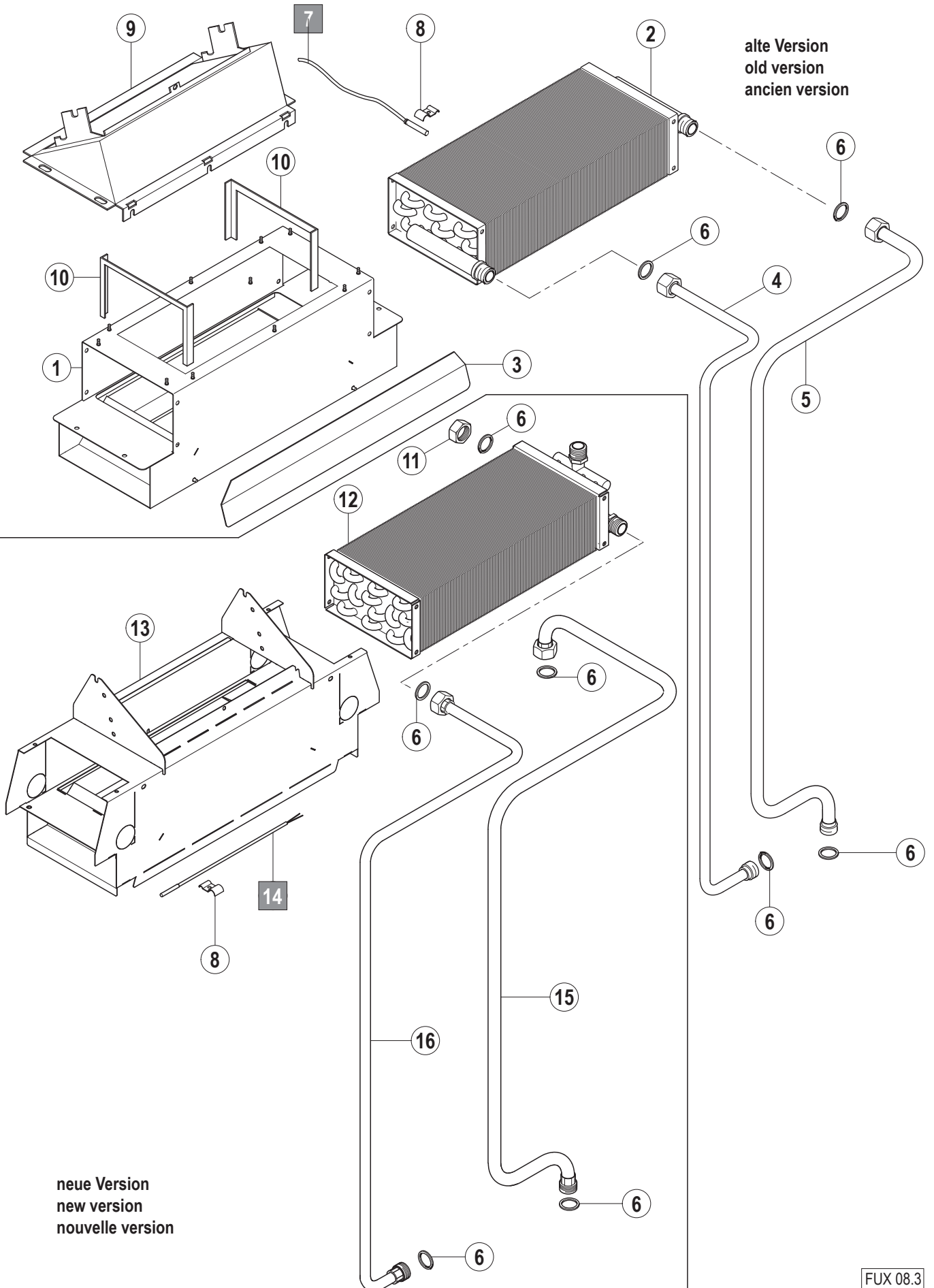
Pos.	A	B [mm]		C (D) [mm]	Bemerkung / Remarks / Remarques
		612	760		
01		01-245222-003	01-245222-007	560 (800)	DS
02		00-868902-001	00-868903-001		
03		01-245321-001	01-245321-002		
04		01-245232-001	01-245232-004	(800)	DS
		01-296695-001	01-296695-002		DS TBR
05		00-774336-002	=		
06		01-291095-003	=	560 (800)	DS
		01-291095-008	=		DS TBR
07		01-245496-001	01-245496-003		
08		01-245495-001	01-245495-002		
09		01-245239-001	01-245239-002		
10		01-245781-002	=		
11		01-245245-001	=		
12		01-245224-001	01-245224-002		
13		01-245223-001	01-245223-003	(800)	DS
14		01-245879-001	01-245879-002		
15		01-245243-001	01-245243-003	(800)	DS
16		01-291273-001	01-291273-002		
17		01-291274-001	01-291274-002		
18		01-245398-004	01-245398-010		
19		01-245498-001	=		
20		01-245396-001	01-245396-003		

08.2



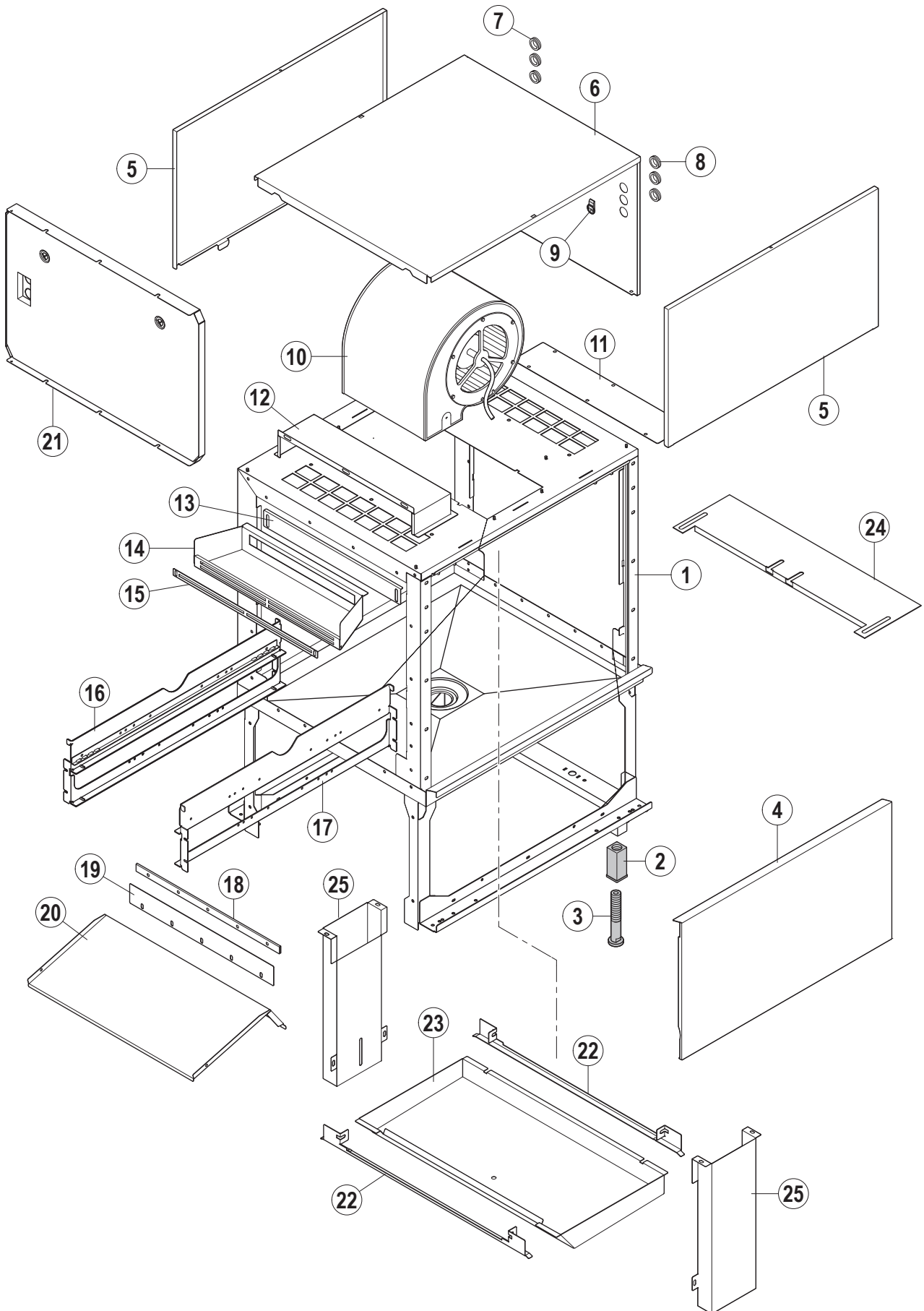
Pos.	A	B [mm]		C (D) [mm]	Bemerkung / Remarks / Remarques
		612	760		
01		01-245210-003	01-245758-003		
02		01-296498-002	=		
03		01-245557-001	01-245557-002		
04		00-229189-...	=		Nr. siehe Flansch / no. see flange / no. voir bride
05		01-245554-003	=		
06		01-245217-002	=		
07		00-378584-000	=		
08		00-227743-003	=		
09		00-325186-001	=		
10		01-296500-001	01-296500-002		
11		01-517248-005	=		
12		01-517243-004	01-517243-005		
13		01-517247-003	=		
14		01-517249-002	=		
15		00-324157-000	=		
16		00-775612-003	=		

alte Version
old version
ancien version



neue Version
new version
nouvelle version

Pos.	A	B [mm]		C (D) [mm]	Bemerkung / Remarks / Remarques
		612	760		
01		01-245606-004	---		
02		00-229742-000	---		Standard
		---	---		CrNi / SST / inox
03		01-245557-001	---		
04	L/R	01-296534-001	---		DS
	R/L	01-296538-001	---		DS
	L/R	---	---		DSK
	R/L	---	---		DSK
05	L/R	01-296532-001	---		DS
	R/L	01-245356-001	---		DS
	L/R	---	---		DSK
	R/L	---	---		DSK
06		00-302574-014	=		
07		00-378584-000	---		
08		00-324157-000	=		
09		01-296500-001	---		
10		01-296527-001	---		
11		01-245605-001	=		
12		01-296851-001	01-296851-002		
13		01-517243-001	01-517243-002		
14		00-775612-003	=		
15	L/R	01-517250-003	01-517250-007		DS
	R/L	01-517250-004	01-517250-008		DS
	L/R	01-517252-003	01-517252-007		DSK
	R/L	01-517252-004	01-517252-008		DSK
16	L/R	01-245632-008	01-245632-010		DS
	R/L	01-245633-008	01-245633-010		DS
	L/R	01-245633-002	01-245633-004		DSK
	R/L	01-245632-002	01-245632-004		DSK



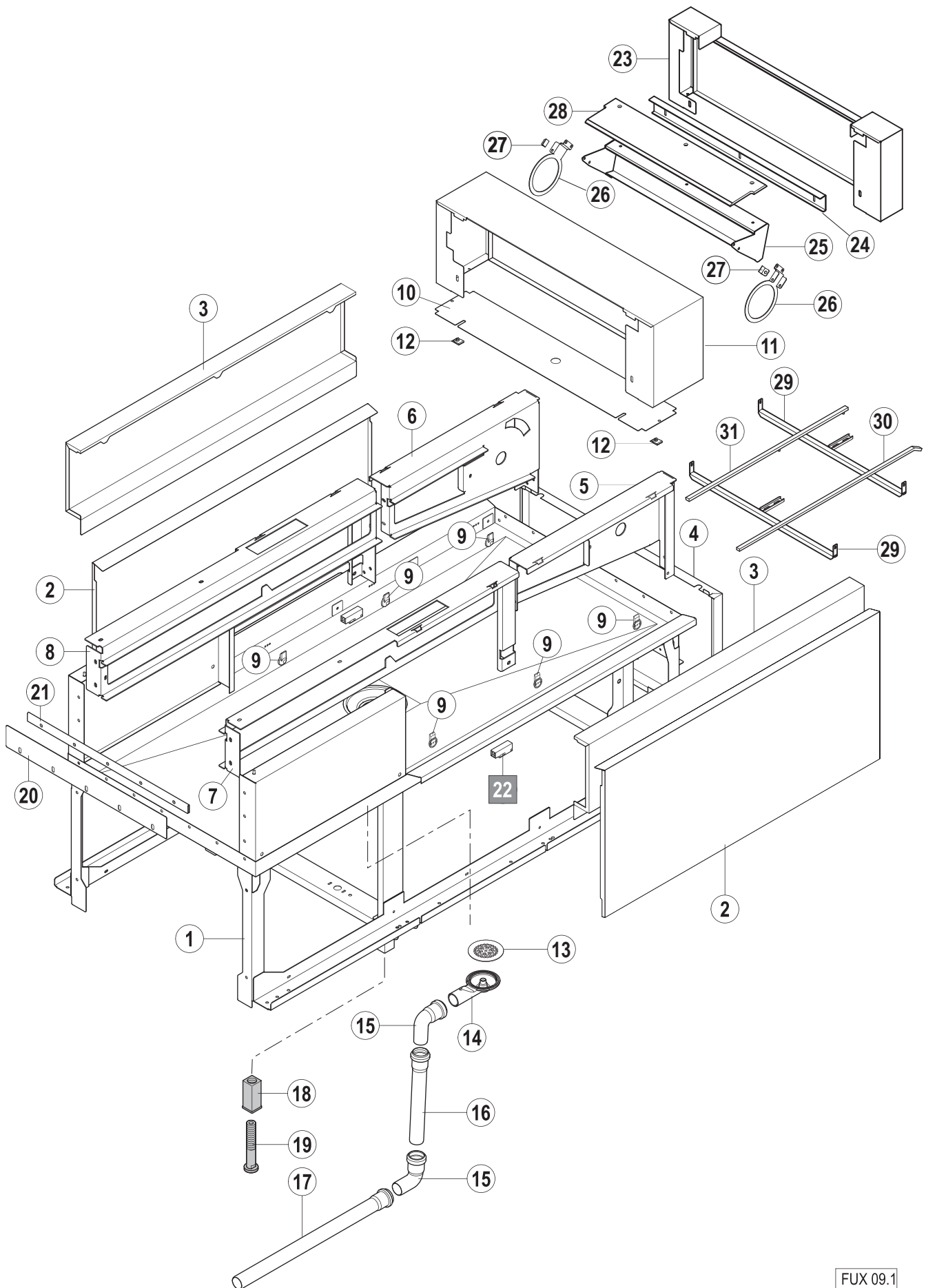
08.4

Pos.	A	B [mm]		C (D) [mm]	Bemerkung / Remarks / Remarques
		612	760		
01		01-245577-002	01-245577-004	560	
02		00-325008-001	=		
03		00-325007-001	=		
04		01-245190-001	=		
05		01-245244-003	=		
		01-245244-007	=		TBR
06		01-245808-001	01-245808-002		
		01-245808-005	01-245808-006		TBR
07		00-785565-004	=		
08		00-227748-004	=		
09		00-325037-001	=		
10		00-868902-001	00-868903-001		
11		01-245809-001	01-245809-002		
12		01-245321-001	01-245321-002		
13		01-245496-007	01-245496-008		
14		01-245805-001	01-245805-002		
15		01-245879-001	01-245879-002		
16		01-245782-002	=		
17		01-245782-001	=		
18		01-245324-001	01-245324-002		
19		01-245753-001	01-245753-002		
20		01-245239-001	01-245239-002		
21		01-291172-001	01-291172-002		
		01-291172-005	01-291172-006		TBR
22		01-245224-001	01-245224-002		
23		01-245223-002	01-245223-004		
24		01-291839-001	01-291839-002		
25		01-245778-002	=	560	

Pos.	A	B [mm]		C (D) [mm]	Bemerkung / Remarks / Remarques
		612	760		
01		01-245577-010	01-245577-011	560	
02		00-325008-001	=		
03		00-325007-001	=		
04		01-245190-001	=		
05		01-245244-003	=		
		01-245244-007	=		TBR
06		01-245808-001	01-245808-002		
		01-245808-005	01-245808-006		TBR
07		00-785565-004	=		
08		00-227748-004	=		
09		00-325037-001	=		
10		00-736921-000	00-736921-000		
11		01-245809-001	01-245809-002		
12		01-245321-001	01-245321-002		
13		01-245496-007	01-245496-008		
14		01-245805-001	01-245805-002		
15		01-245879-001	01-245879-002		
16		01-245782-002	=		
17		01-245782-001	=		
18		01-291172-001	01-291172-002		
		01-291172-005	01-291172-006		TBR
19		00-884816-004	=	560	
20		00-884816-003	=	560	
21		01-296097-001	=		
22		01-296074-001	01-296074-002		
23		01-296070-003	01-296070-002		
24		00-735821-001	00-735821-002		
25		00-697973-004	00-697973-006		
26		00-735820-001	=		
27		00-602491-000	=		
28		00-786812-001	=		
29		00-869038-001	=		
30		00-784508-001	=		
31		00-868902-001	=		
32		01-291839-001	01-291839-002		
33		01-296098-001	=		
34		01-296193-001	=		
35		01-296192-001	=		
36		01-296099-002	=		
37		01-296398-001	=	560	
		01-296398-002	=		TBR
38		01-245324-001	01-245324-002		
39		01-245753-001	01-245753-002		
40		01-245778-001	=		
41		01-245224-001	01-245224-002		
42		01-245223-002	01-245223-004		

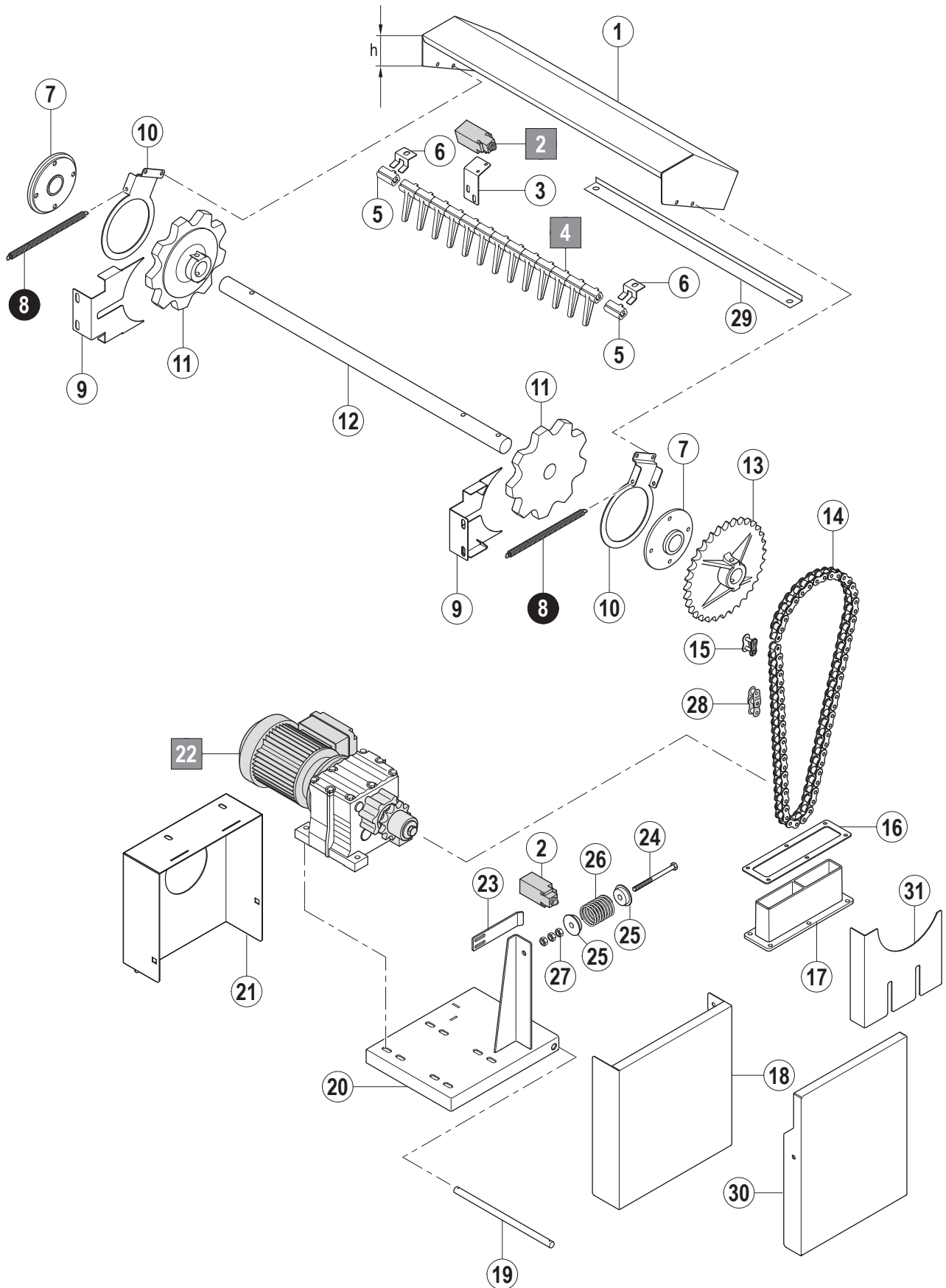
FUX
Auslauf
Unload section
Zone de déchargement

09.1



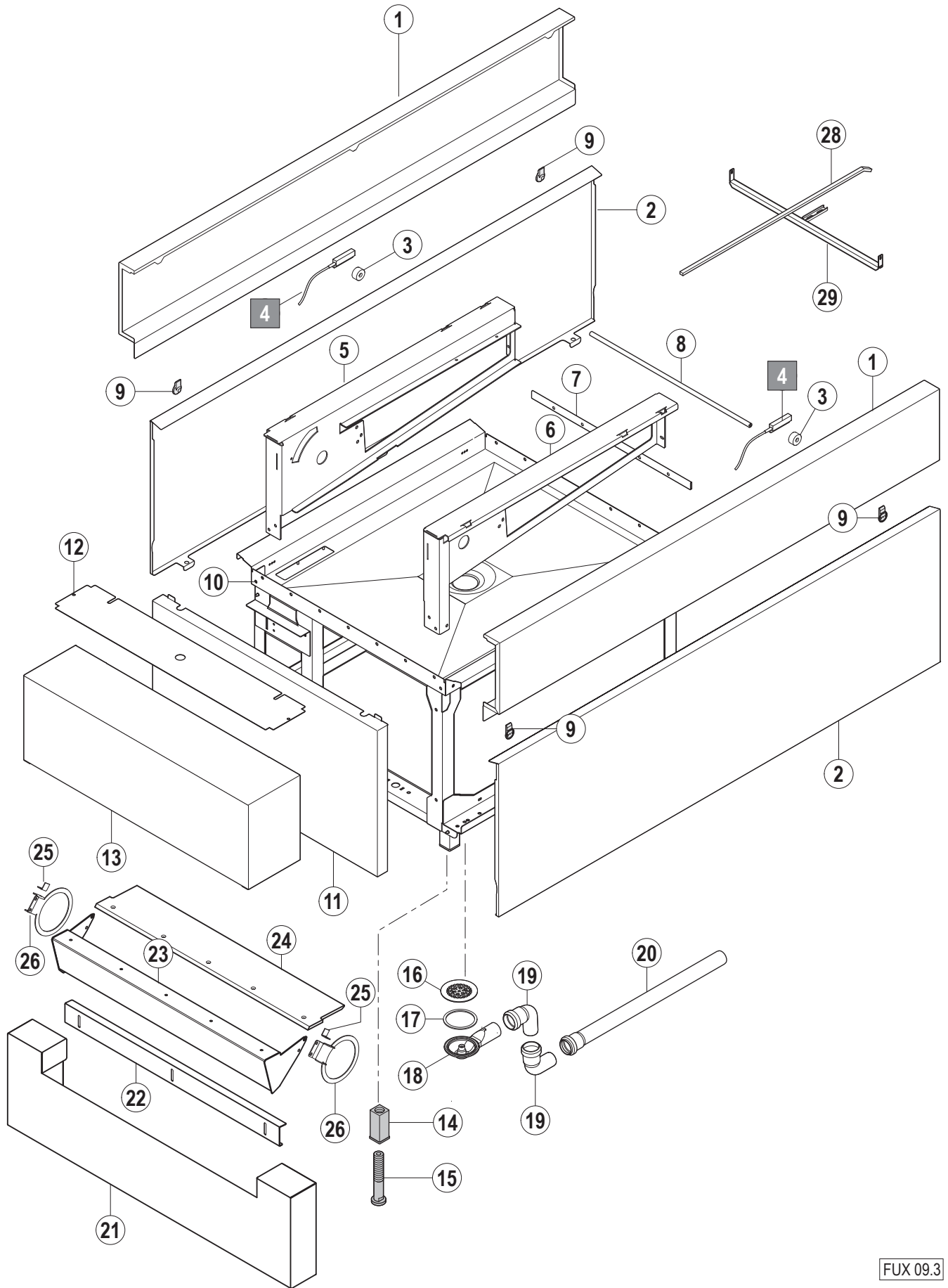
FUX 09.1

Pos.	A	B [mm]		C (D) [mm]	Bemerkung / Remarks / Remarques
		612	760		
01		01-245189-002	01-245189-006	(800)	DS4
		01-245189-003	01-245189-007	(1100)	DS5
		01-245189-004	01-245189-008	(1400)	DS6
02		01-245190-002	=	(800)	DS4
		01-245190-005	=	(1100)	DS5
		01-245190-006	=	(1400)	DS6
03		01-245417-003	=	(800)	DS4
		01-245417-004	=	(1100)	DS5
		01-245417-005	=	(1400)	DS6
04		01-245272-001	01-245272-002		
05		01-245238-001	=		DS4
		01-245238-002	=		DS5
		01-245238-003	=		DS6
06		01-245237-001	=		DS4
		01-245237-002	=		DS5
		01-245237-003	=		DS6
07		01-245235-001	=		DS
08		01-245234-001	=		DS
09		00-325037-001	=		
10		01-245415-001	01-245415-002		
11		01-245414-001	01-245414-002		
12		00-371148-002	=		
13		01-245107-001	=		
14		01-245109-010	=		
15		00-230080-002	=		
16		00-325706-007	=		
17		00-325706-003	=		
18		00-325008-001	=		
19		00-325007-001	=		
20		01-245753-001	01-245753-002		
21		01-245324-001	01-245324-002		
22		00-775491-001	=		
23		01-518302-001	01-518302-002		
24		01-518303-001	01-518303-002		
25		01-296927-002	01-296927-001		
26		00-325242-002	=		
27		01-325244-001	=		
28		01-296835-003	01-296835-004		
29		---	01-291212-002		
30		---	01-291218-011	(800)	DS4
		---	01-291218-012	(1100)	DS5
		---	01-291218-013	(1400)	DS6
31		---	01-291205-017		



09.2

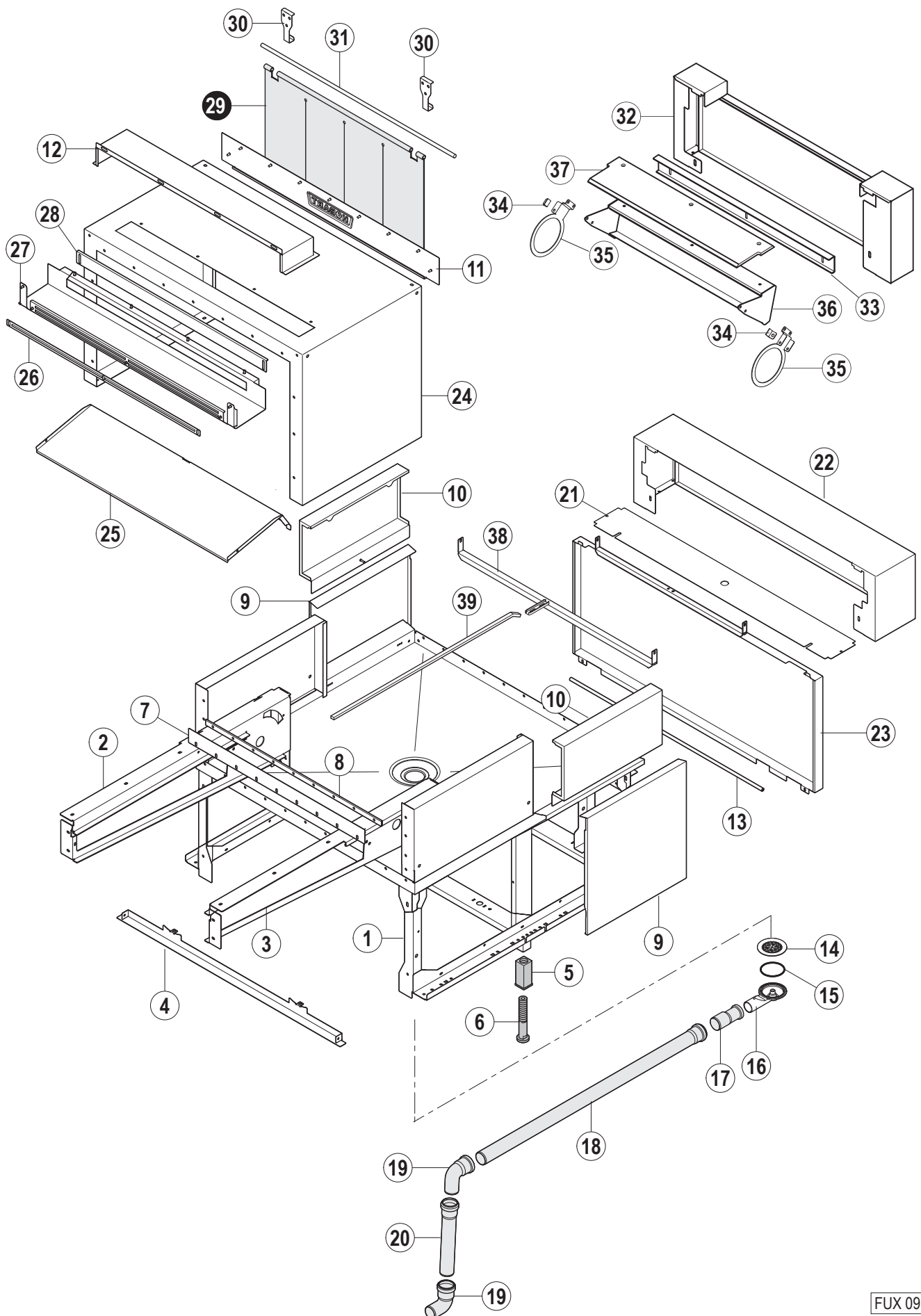
Pos.	A	B [mm]		C (D) [mm]	Bemerkung / Remarks / Remarques
		612	760		
01		01-245220-001	01-245220-003		h<75
		01-245220-002	01-245220-004		h=100
02		00-325189-003	=		
03		01-245311-001	=		
04		00-325477-001	=		
05		00-774641-001	=		
06		01-291000-001	=		
07		00-325243-001	=		
08		00-774828-001	=		
09		01-245935-001	=		
10		00-325242-001	=		
11		00-325034-001	=		9 Zähne / teeth / dents
		01-296623-001	=		9 Zähne / teeth / dents - CrNi / SST / Inox
		00-325035-001	=		6 Zähne / teeth / dents
12		01-245203-001	01-245203-002		
13		00-325036-001	=		
14		00-168703-001	=		
15		00-226485-000	=		
16		01-245360-001	=		
17		01-245359-001	=		
18		01-245218-001	=		
19		01-245412-001	=		
20		01-245352-002	=		
21		01-245576-001	=		
22		01-245344-...	=		siehe Schaltplan / see wiring diagram / voir schéma de câblage
23		01-245355-001	=		
24		00-602693-000	=		
25		00-229413-000	=		
26		00-227873-006	=		
27		00-602492-000	=		
28		00-377016-001	=		
29		01-245844-001	01-245844-002		
30		01-296037-001	=		
31		01-291768-001	=		



09.3

FUX 09.3

Pos.	A	B [mm]		C (D) [mm]	Bemerkung / Remarks / Remarques
		612	760		
01		01-245417-003	=	(800)	DS
		01-245417-004	=	(1100)	DS
		01-245417-005	=	(1400)	DS
		01-245417-007	=	(1700)	DS
02		01-245190-002	=	(800)	DS
		01-245190-005	=	(1100)	DS
		01-245190-006	=	(1400)	DS
		01-245190-009	=	(1700)	DS
03		00-774714-001	=		
04		00-775491-001	=		
05		01-245238-001	=	(800)	
		01-245238-002	=	(1100)	
		01-245238-003	=	(1400)	
		01-245238-004	=	(1700)	
06		01-245237-001	=	(800)	
		01-245237-002	=	(1100)	
		01-245237-003	=	(1400)	
		01-245237-004	=	(1700)	
07		01-245324-004	01-245324-005		
08		00-325224-001	00-325224-011		
09		00-325037-001	=		
10		01-245705-001	01-245705-005	(800)	
		01-245705-002	01-245705-006	(1100)	
		01-245705-003	01-245705-007	(1400)	
		01-245705-004	01-245705-008	(1700)	
11		01-245272-001	01-245272-002		
12		01-245415-001	01-245415-002		
13		01-245414-001	01-245414-002		
14		00-325008-001	=		
15		00-325007-001	=		
16		01-245107-001	=		
17		01-245340-004	=		
18		01-245109-001	=		
19		00-230080-002	=		
20		00-325706-001	=		
21		01-518302-001	01-518302-		
22		01-518303-001	01-518303-		
23		01-296927-002	01-296927-		
24		01-296835-003	01-296835-		
25		00-325244-001	=		
26		00-325242-002	=		
27		---	01-291212-002		
28		---	01-291218-011	(800)	
		---	01-291218-012	(1100)	
		---	01-291218-013	(1400)	
		---	01-291218-016	(1700)	



09.4

Pos.	A	B [mm]		C (D) [mm]	Bemerkung / Remarks / Remarques
		612	760		
01		01-245189-013	01-245189-015	(1300)	
		01-245189-014	01-245189-016	(1600)	
		01-245189-001	01-245189-005	(1900)	
02		01-245953-001	=	(1300)	
		01-245953-002	=	(1600)	
		01-245953-003	=	(1900)	
03		01-245954-001	=	(1300)	
		01-245954-002	=	(1600)	
		01-245954-003	=	(1900)	
04		01-245768-004	01-245768-005		
05		00-325008-001	=		
06		00-325007-001	=		
07		01-245753-001	01-245753-002		
08		01-245324-001	01-245324-002		
09		01-245190-003	=	(1300)	
		01-245190-008	=	(1600)	
		01-245190-007	=	(1900)	
10		01-245417-006	=	(1300)	
		01-245417-001	=	(1600)	
		01-245417-002	=	(1900)	
11		01-245247-002	01-245247-003		
12		01-245321-001	01-245321-002		
13		00-325224-001	00-325224-011		
14		01-245107-001	=		
15		01-245340-004	=		
16		01-245109-001	=		
17		00-325708-001	=		
18		00-229679-020	=		
19		00-230080-001	=		
20		00-229679-029	=		
21		01-245415-001	01-245415-002		
22		01-245414-001	01-245414-002		
23		01-245272-001	01-245272-002		
24		01-245959-002	01-245959-004		
25		01-245239-001	01-245239-002		
26		01-245879-001	01-245879-002		
27		01-245495-001	01-245495-002		
28		01-245496-001	01-245496-003		
29		01-245398-005	01-245398-011		
30		01-245498-001	=		
31		01-245396-001	01-245396-003		
32		01-518302-002	01-518302-002		
33		01-518303-001	01-518303-002		
34		00-325244-001	=		
35		00-325242-002	=		
36		01-296927-002	01-291927-001		
37		01-296835-003	01-296835-004		
38		---	01-291212-002		
39		---	01-291218-015	(1300)	
		---	01-291218-014	(1600)	



A Laufrichtung
Working direction
Sens de marche

B Bandbreite
Conveyor width
Largeur du convoyeur

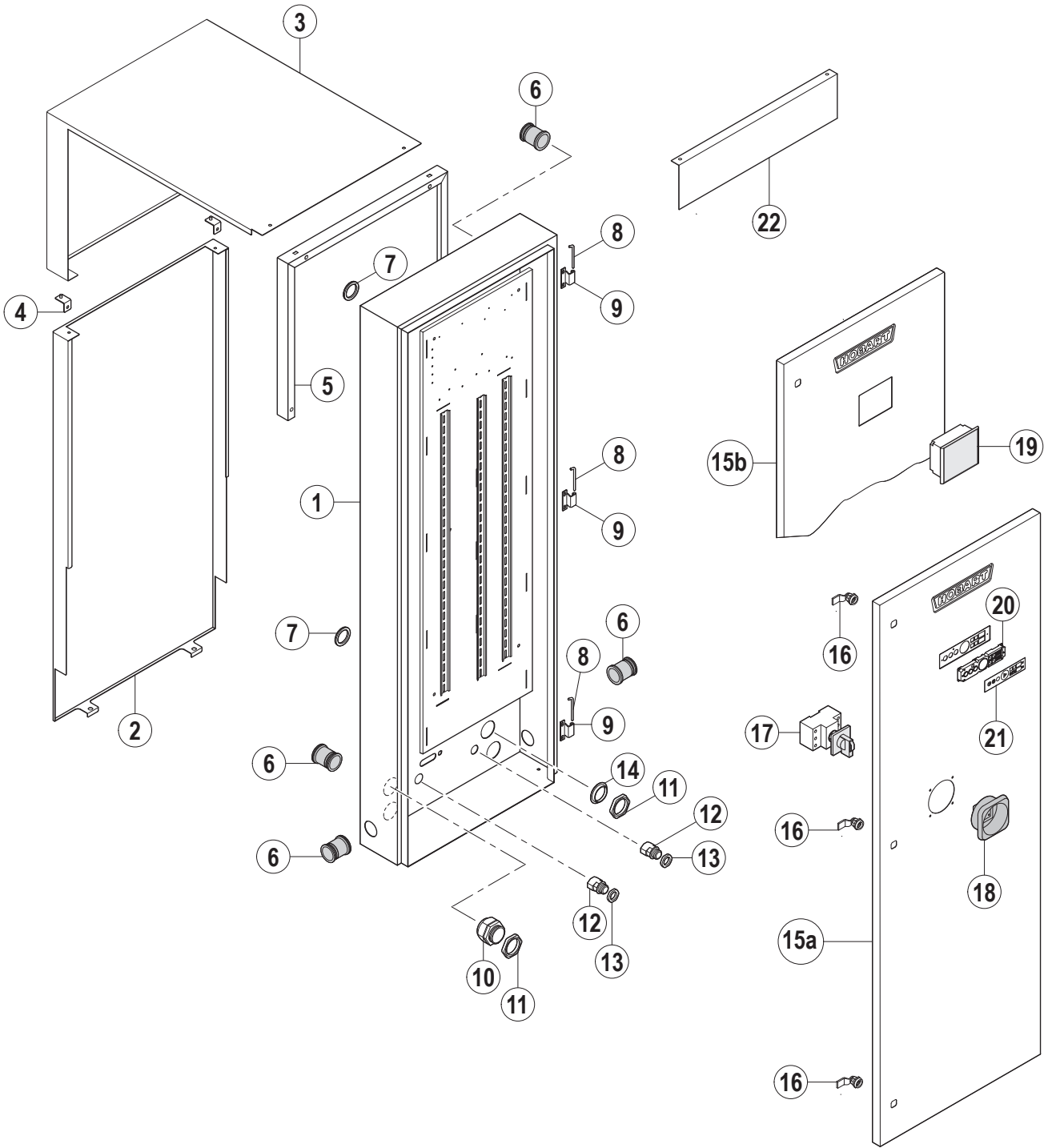
C Durchlaufhöhe
Usable height
Hauteur de passage

D Länge
Length
Longueur

Pos.	A	B [mm]		C (D) [mm]	Bemerkung / Remarks / Remarques
		612	760		
39		---	01-291205-022	(1600)	
		---	01-291218-015	(1900)	
		---	01-291205-022	(1900)	

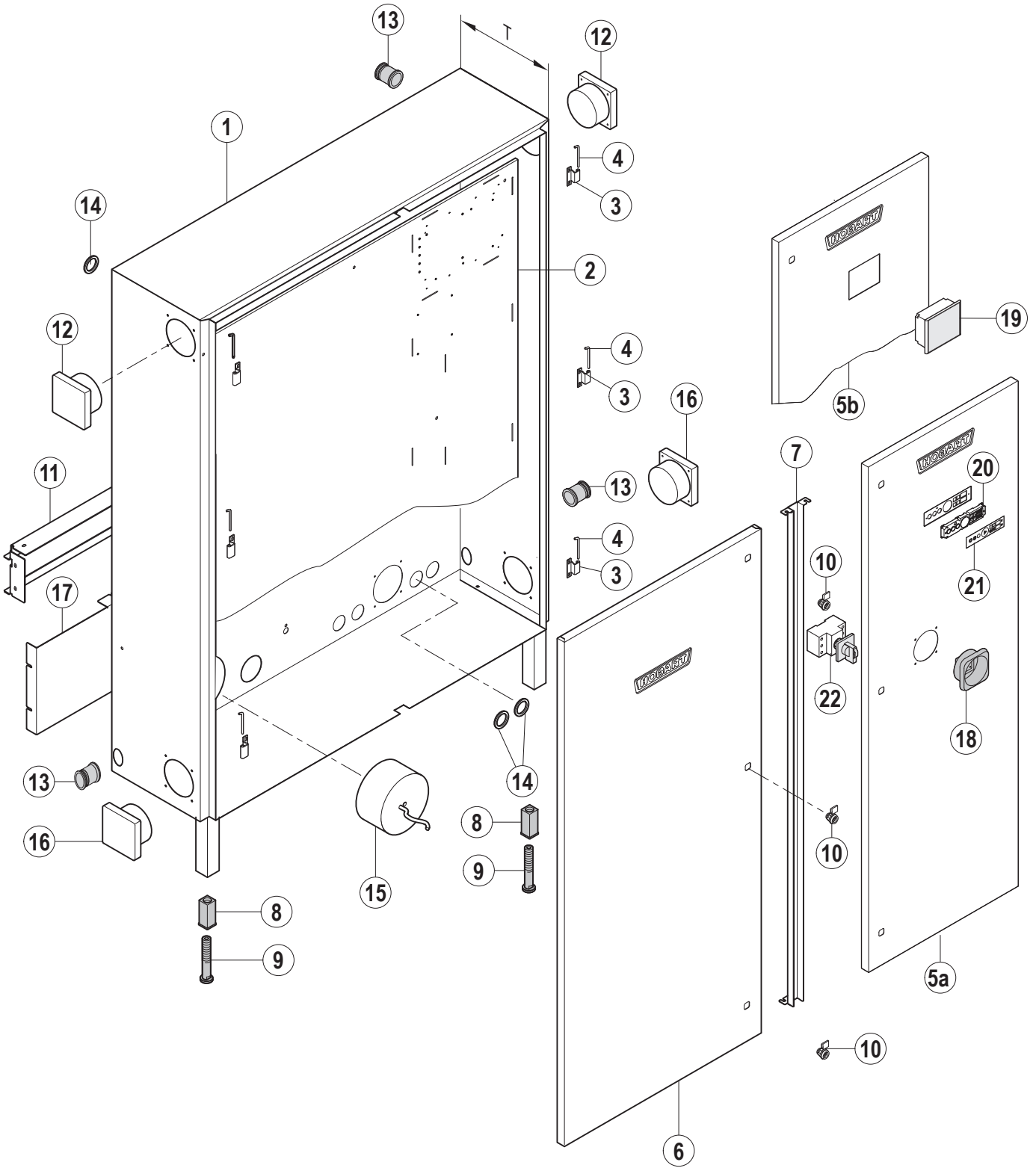
09.4

FUX
Schaltkasten
Control box
Coffret électrique



10.1

Pos.	A	B [mm]		C (D) [mm]	Bemerkung / Remarks / Remarques
		612	760		
01		01-245225-002	=	560	
02		01-245227-002	=	560	
03		01-245221-001	01-245221-002		
		01-245221-007	01-245221-009		TBR
04		01-245228-001	=		
05		01-245263-001	=		
		01-245263-002	=		TBR
06		00-325186-001	=		
07		00-325655-001	=		
08		00-325086-013	=		
09		00-325086-011	=		
10		00-695661-007	=		
11		00-695664-007	=		
12		00-774797-002	=		
13		00-695664-004	=		
14		00-695666-007	=		
15a		01-245304-023	=	560	Smartronic
15b		01-245304-019	=	560	Protronic
16		00-229518-001	=		
17		00-301773-005	=		
18		00-734115-002	=		
19		00-887104-002	=		
20		00-897540-002	=		
21		01-291845-001	=		
22		01-296482-001	=		TBR



10.2

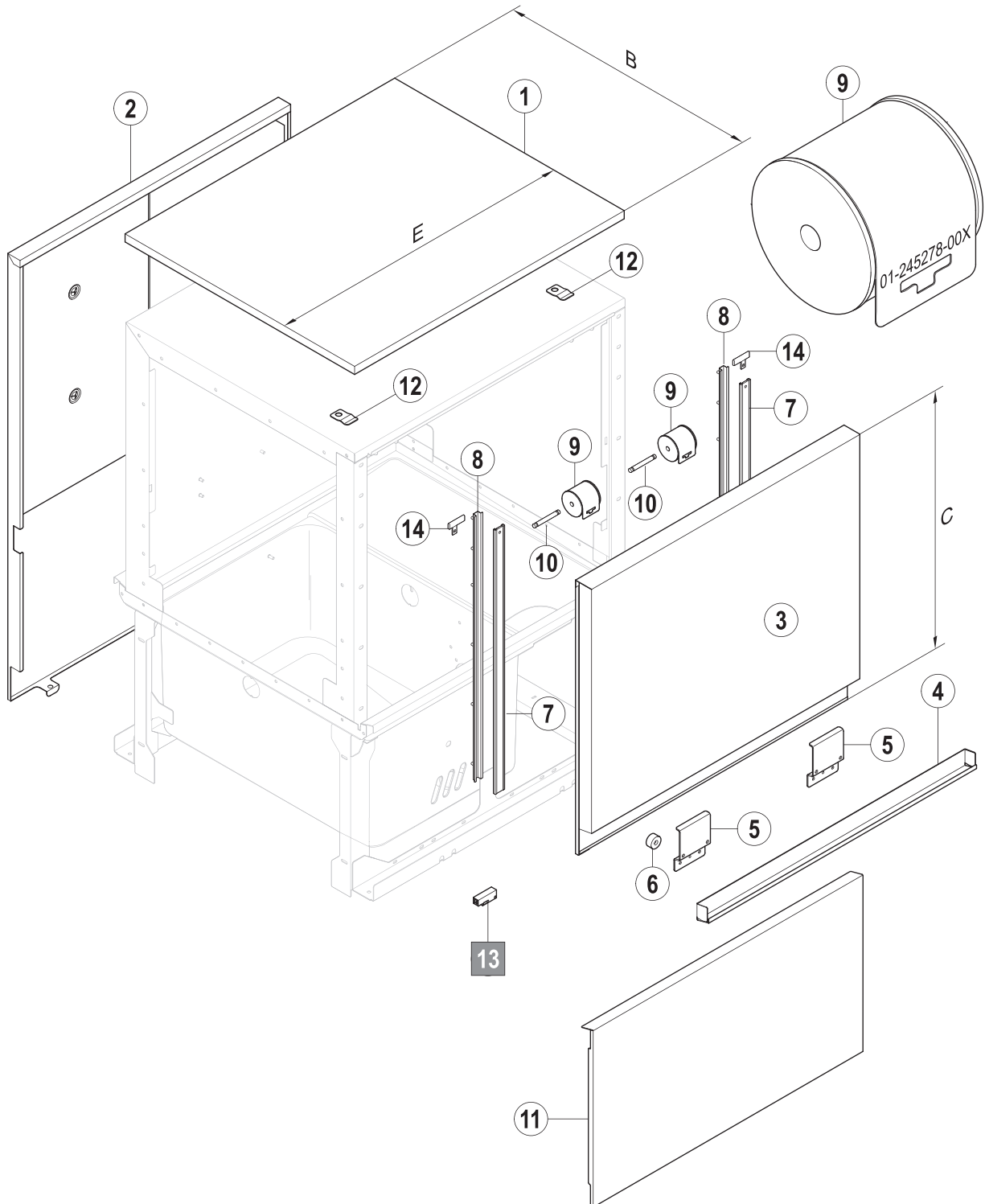
Pos.	A	B [mm]		C (D) [mm]	Bemerkung / Remarks / Remarques
		612	760		
01		01-511585-001	=	560	T=268
02		01-511584-001	=		
03		00-325086-011	=		
04		00-325086-013	=		
05a		01-245304-023	=		
05b		01-245304-013	=		
06		01-291236-004	=		
07		01-511538-002	=		
08		00-325008-001	=		
09		00-325007-001	=		
10		00-229518-001	=		
11	L/R	01-245235-004	=		
	R/L	01-245234-004	=		
12		00-884392-005	=		
13		00-325186-001	=		
14		00-325655-001	=		
15		00-774783-003	=		
16		00-884392-006	=		
17	L/R	01-298381-002	=		
	R/L	01-298381-001	=		
18		01-734115-002	=		
19		00-887104-002	=		
20		00-897540-002	=		
21		01-291845-001	=		
22		00-301773-005	=		

FUX

Türen und Verkleidungen

Doors and panels

Portes et panneaux



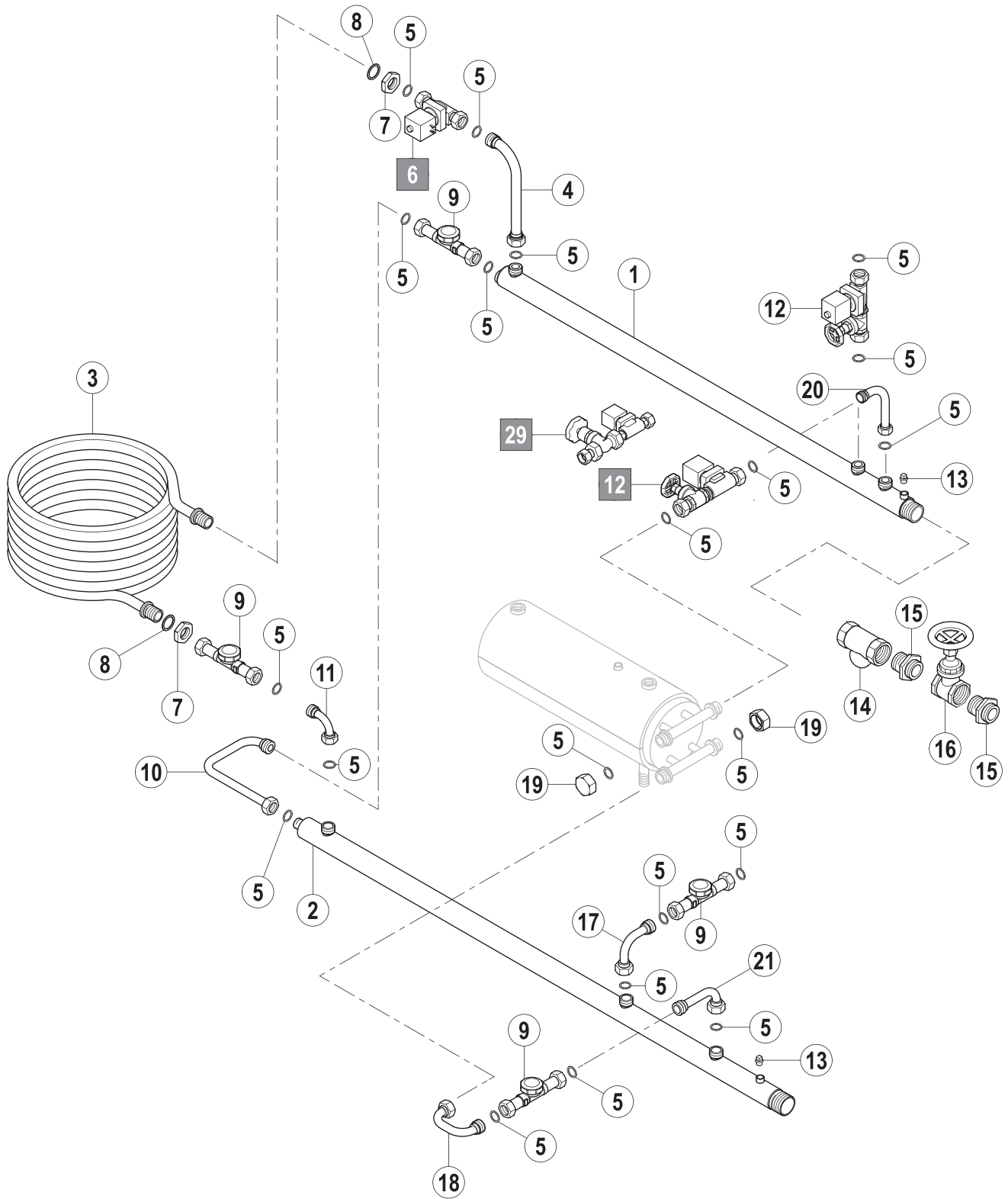
11.1

FUX 11.1

Pos.	A	B [mm]		C (D) [mm]	Bemerkung / Remarks / Remarques
		612	760		
01		01-245525-003	01-245525-007		E = 150 mm
		01-245525-004	01-245525-008		E = 500 mm
		01-245525-027	01-245525-022		E = 650 mm
		01-245525-001	01-245525-005		E = 1400 mm
		01-245944-001	01-245944-006		E = 100 mm Trennmodul / disconnecting module / module de passage
		01-245944-003	01-245944-008		E = 300 mm Trennmodul / disconnecting module / module de passage
02		01-245527-008	=	560	E = 500 mm
		01-245527-007	=	560	E = 650 mm
		01-245527-005	=	560	E = 1400 mm
		01-245942-006	=	560	E = 100 mm T-Modul Trennmodul / disconnecting module / module de passage
		01-245942-008	=	560	E = 300 mm Trennmodul / disconnecting module / module de passage
03		01-245123-008	=	560	E = 500 mm ohne Isolierung / without insulation / sans isolation
		01-245123-006	=	560	E = 650 mm ohne Isolierung / without insulation / sans isolation
		01-245123-013	=	560	E = 1300 mm ohne Isolierung / without insulation / sans isolation
		01-245123-004	=	560	E = 1400 mm ohne Isolierung / without insulation / sans isolation
		01-245754-008	=	560	E = 500 mm mit Isolierung / with insulation / avec isolation
		01-245754-006	=	560	E = 650 mm mit Isolierung / with insulation / avec isolation
		01-245123-014	=	560	E = 1300 mm mit Isolierung / with insulation / avec isolation
		01-245754-004	=	560	E = 1400 mm mit Isolierung / with insulation / avec isolation
04		01-245129-004	=		E = 500 mm
		01-245129-003	=		E = 650 mm
		01-245129-008	=		E = 1300 mm
05		01-245127-001	=		E = 650; 1300; 1400
		01-245279-001	=		E = 500
06		00-774714-001	=		
07		00-325064-007	=		560
08		01-245126-002	=		560
09					Nr. siehe Teil / no. see part / no. voir pièce
10		01-245281-001	=		
11		01-245190-003	=		E = 500 mm
		01-245190-004	=		E = 650 mm
		01-245190-001	=		E = 900 mm
		01-245190-002	=		E = 1400 mm
12		01-245528-001	=		
13		00-775491-001	=		
14		01-291426-001	=		

11.1

FUX**Dampfverrohrung****Steam piping****Tuyauterie vapeur**

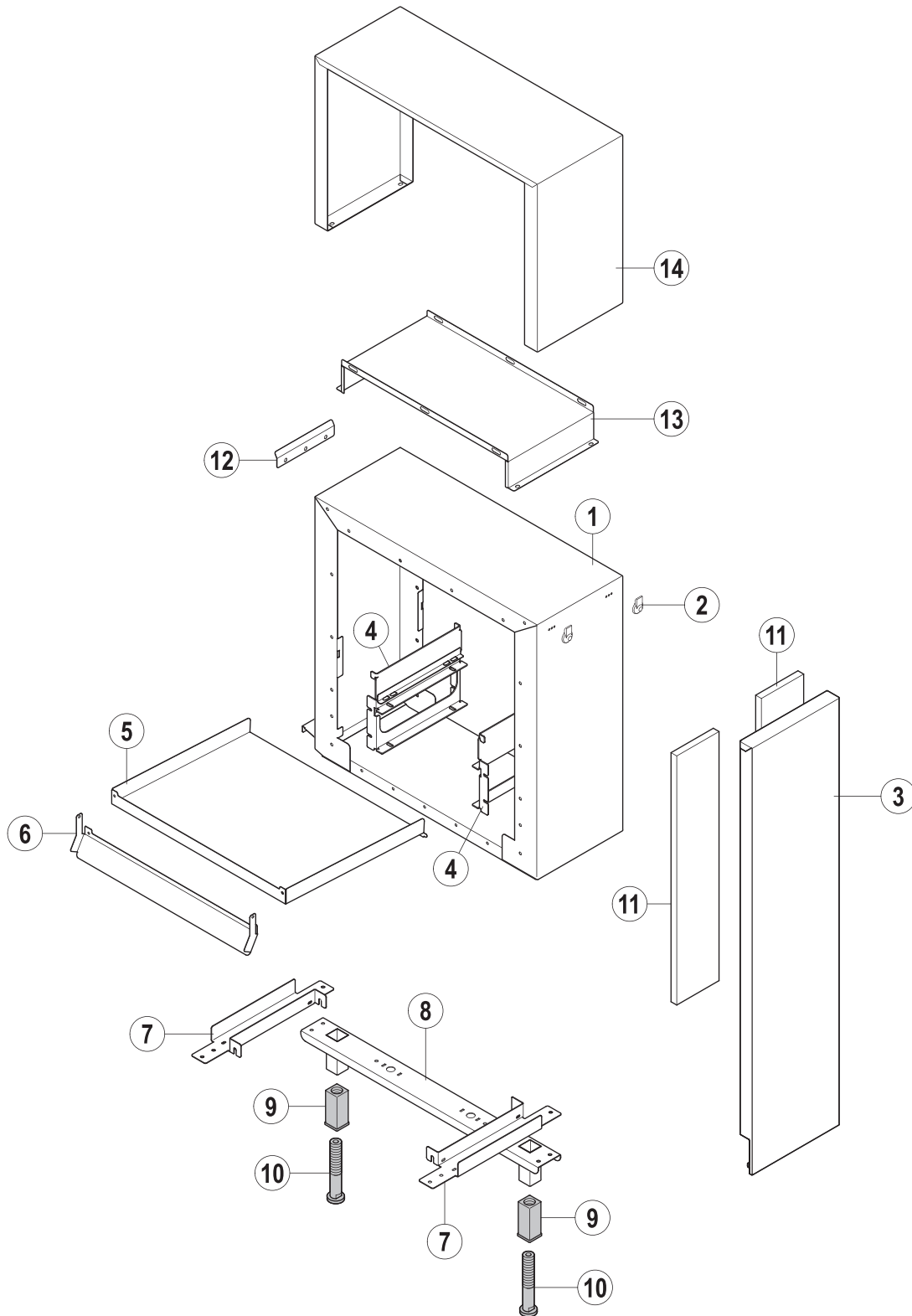


12.1

FUX 12.1

Pos.	A	B [mm]		C (D) [mm]	Bemerkung / Remarks / Remarques
		612	760		
01	L/R	01-296546-001	=		A-PF-TBR-DS - Maschine / machine
	R/L	01-296546-002	=		A-PF-TBR-DS - Maschine / machine
	L/R	01-296546-003	=		A-A-PF-TBR-DS - Maschine / machine
	R/L	01-296546-004	=		A-A-PF-TBR-DS - Maschine / machine
	L/R	01-296546-005	=		A-A-A-PF-TBR-DS - Maschine / machine
	R/L	01-296546-006	=		A-A-A-PF-TBR-DS - Maschine / machine
02	L/R	01-296548-001	=		A-PF-TBR-DS - Maschine / machine
	R/L	01-296548-002	=		A-PF-TBR-DS - Maschine / machine
	L/R	01-296548-003	=		A-A-PF-TBR-DS - Maschine / machine
	R/L	01-296548-004	=		A-A-PF-TBR-DS - Maschine / machine
	L/R	01-296548-005	=		A-A-A-PF-TBR-DS - Maschine / machine
	R/L	01-296548-006	=		A-A-A-PF-TBR-DS - Maschine / machine
03		01-245647-001	=		
04		01-245628-001	=		
05		00-302574-014	=		
06		01-245593-001	=		Dampf / steam / vapeur 1 - 3,5 bar
		01-245593-002	=		Dampf / steam / vapeur <= 1 bar
07		00-609698-000	=		
08		00-300084-010	=		
09		01-245603-001	=		
10		01-245635-002	=		
11		01-245634-002	=		
12		01-245774-001	=		Dampf / steam / vapeur 1 - 3,5 bar
		01-245774-002	=		Dampf / steam / vapeur <= 1 bar
13		00-603130-000	=		
14		00-774429-001	=		
15		00-600558-002	=		
16		00-774420-001	=		
17		01-245631-001	=		
18		01-245629-001	=		
19		01-245605-001	=		
20		01-245625-001	=		
21		01-245630-002	=		

FUX**Trennmodul****Disconnecting module****Module de passage**

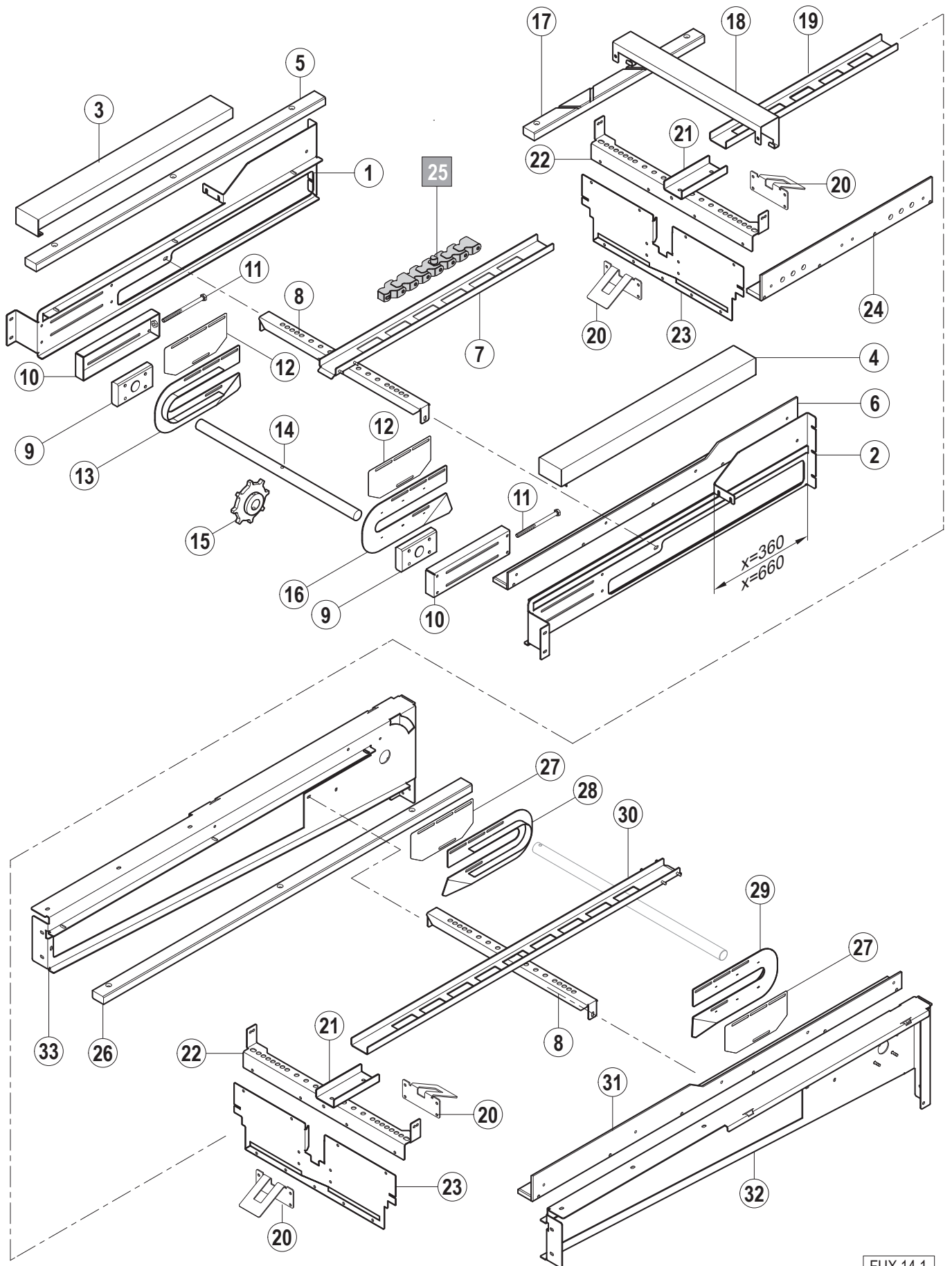


13.1

FUX 13.1

Pos.	A	B [mm]		C (D) [mm]	Bemerkung / Remarks / Remarques
		612	760		
01		01-245451-016	01-245451-021	560 (100)	
		01-245451-018	01-245451-023	560 (100)	
		01-245451-019	01-245451-024	560 (500)	
02		00-327037-001	=		
03		01-245448-006	=	560 (100)	
		01-245448-008	=	560 (100)	
		01-245448-009	=	560 (500)	
04		01-245885-001	=	(100)	
		01-245885-003	=	(300)	
		01-245271-003	=	(500)	
05		01-245888-001	01-245888-006	(100)	
		01-245888-003	01-245888-008	(300)	
		01-245888-004	01-245888-009	(500)	
06		01-245880-001	01-245880-002		
07		01-245450-001	=	(100)	
		01-245450-003	=	(300)	
		01-245450-004	=	(500)	
08		01-245452-002	01-245452-003		
09		00-325008-001	=		
10		00-325007-001	=		
11		00-229507-114	=	560 (100)	
		00-229507-118	=	560 (100)	
		00-229507-120	=	560 (500)	
12		01-245769-004	=	(100)	
		01-245769-003	=	(300)	
		01-245769-001	=	(500)	
13		01-291221-001	01-291221-004	(100)	
		01-291221-002	01-291221-005	(300)	
		01-291221-003	01-291221-006	(500)	
14		01-291220-001	01-291220-004	(100)	
		01-291220-002	01-291220-005	(300)	
		01-291220-003	01-291220-006	(500)	

FUX**Ketten - Transportsystem****Chain - Conveyor system****Chaîne - Système du convoyeur**



FUX 14.1

Pos.	A	B [mm]		C (D) [mm]	Bemerkung / Remarks / Remarques
		612	760		
01		01-514819-001	---	(800)	x=360
		01-514819-002	---	(1100)	x=360
		01-514819-003	---	(1400)	x=360
		01-514819-004	---	(1100)	x=660
02		01-514815-001	---	(800)	x=360
		01-514815-002	---	(1100)	x=360
		01-514815-003	---	(1400)	x=360
		01-514815-004	---	(1100)	x=660
		01-514815-005	---	(1400)	x=660
03		01-518854-004	---	(800)	x=360
		01-518854-005	---	(1100)	x=360
		01-518854-006	---	(1400)	x=360
		01-518854-004	---	(1100)	x=660
		01-518854-005	---	(1400)	x=660
04		01-518855-001	---	(800)	x=360
		01-518855-002	---	(1100)	x=360
		01-518855-003	---	(1400)	x=360
		01-518855-001	---	(1100)	x=660
		01-518855-002	---	(1400)	x=660
05		01-296859-002	---	(800)	x=360
		01-296859-008	---	(1100)	x=360
		01-296859-015	---	(1400)	x=360
		01-296859-008	---	(1100)	x=660
		01-296859-012	---	(1400)	x=660
06	L/R	01-296849-010	---	(800)	x=360
	L/R	01-296849-005	---	(1100)	x=360
	L/R	01-296849-012	---	(1400)	x=360
	L/R	01-296849-015	---	(1100)	x=660
	L/R	01-296849-017	---	(1400)	x=660
	R/L	01-296849-011	---	(800)	x=360
	R/L	01-296849-006	---	(1100)	x=360
	R/L	01-296849-013	---	(1400)	x=360
	R/L	01-296849-016	---	(1100)	x=660
	R/L	01-296849-018	---	(1400)	x=660
07		01-514802-001	---	(800)	
		01-514802-002	---	(1100)	
		01-514802-003	---	(1400)	
08		01-514827-001	---		
09		00-884542-001	---		
10		01-518393-001	---		
11		00-604059-000	---		
12		01-518398-001	---		
13		01-518396-002	---		
14		01-291627-003	---		
15		00-735865-001	---		
16		01-518396-001	---		

Pos.	A	B [mm]		C (D) [mm]	Bemerkung / Remarks / Remarques
		612	760		
17		01-296859-004	---	(1400)	
		01-296859-016	---	(900)	
		01-296859-003	---	(1300)	
		01-296859-010	---	(650)	
		01-296859-015	---	(1400)	TBR
18		01-518416-001	---		
19		01-514824-001	---	(1400)	
		01-514824-003	---	(900)	
		01-514824-004	---	(1300)	
		01-514824-002	---	(650)	
20		01-514801-001	---		
21		01-296330-001	---		
22		01-296863-001	---		
23		01-296873-001	---		
24		01-296849-001	---	(1400)	
		01-296849-002	---	(900)	
		01-296849-003	---	(1300)	
		01-296849-004	---	(650)	
		01-296849-009	---	(1400)	TBR
25		00-735864-005	---		
26	L/R	01-296859-014	---	(1300)	
	R/L	01-296859-012	---	(1300)	
27		01-291645-001	---		
28		01-291647-001	---		
29		01-291647-002	---		
30		01-514802-006	---		
31	L/R	01-296849-008	---	(1300)	
	R/L	01-296849-007	---	(1300)	
32		01-518345-002	---		
33		01-518348-002	---		

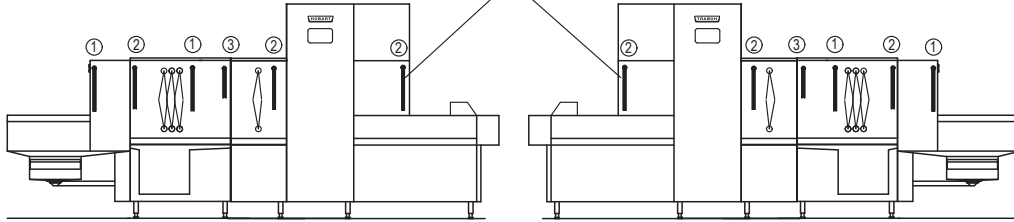
14.1

Pos.	A	B [mm]		C (D) [mm]	Bemerkung / Remarks / Remarques
		612	760		
01		01-518428-001	---		
02		00-325243-001	---		
03		00-325242-001	---		
04		00-325189-003	---		
05		01-245311-001	---		
06		00-735865-001	---		
07		01-245203-004	---		
08		00-168703-001	---		
09		00-168828-001	---		
10		00-226485-000	---		
11		01-291768-003	---		
12		01-296037-001	---		
13		00-774336-002	---		
14		01-241893-003	---		
15		01-245576-001	---		
16		00-887117-004	---		
17		01-518347-001	---		siehe Schaltplan / see wiring diagram / voir schéma de câblage
18		01-245355-001	---		
19		01-245412-001	---		
20		00-602492-000	---		
21		00-229413-000	---		
22		00-227873-006	---		
23		00-602693-000	---		
24		01-245352-002	---		
25		01-518424-002	---		
26		01-518424-003	---		
27		01-293701-001	---		
28		01-518424-004	---		
29		01-518424-001	---		

FUX
Vorhänge
Curtains
Rideaux

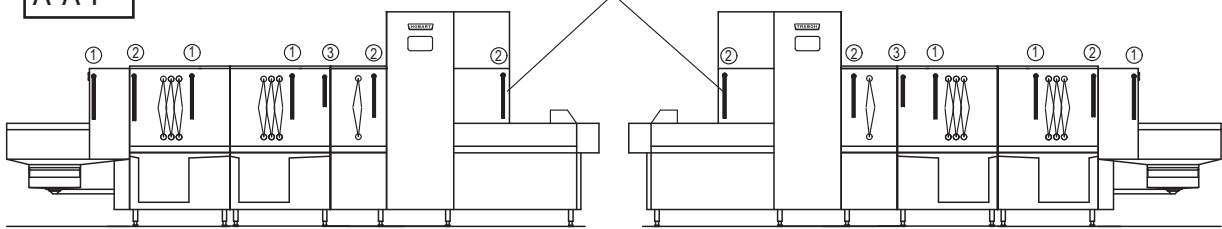
A-F

nur bei TBR / only TBR / seule TBR



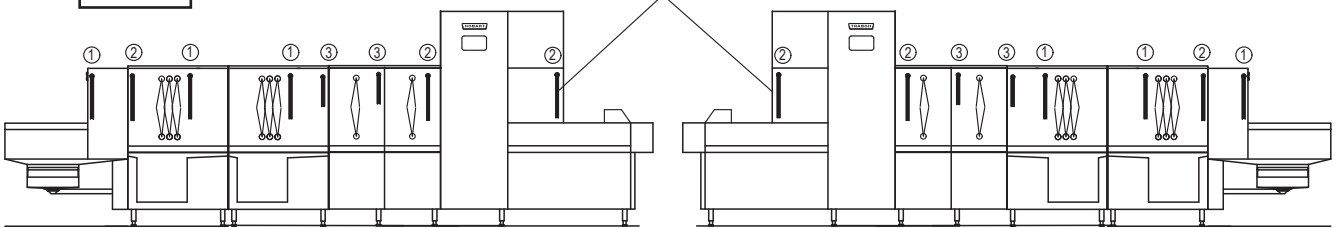
A-A-F

nur bei TBR / only TBR / seule TBR

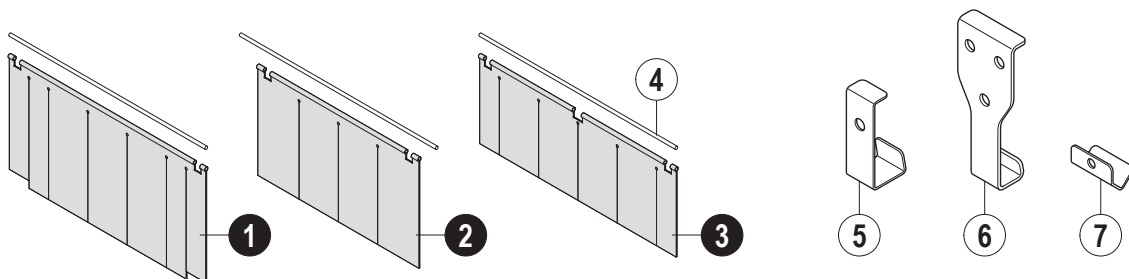


A-A-PF

nur bei TBR / only TBR / seule TBR



15.1



FUX 15.1

HOBART behält sich das Recht vor, an allen Produkten technische Änderungen und Verbesserungen ohne Ankündigung vorzunehmen.

As continued product improvement is a policy of HOBART, specifications are subject to change without notice.

Ce catalogue n'est pas contractuel. HOBART se réserve le droit, et sans préavis, d'apporter toutes modifications ou améliorations à ses matériels.