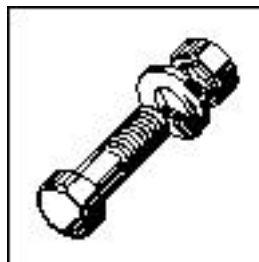


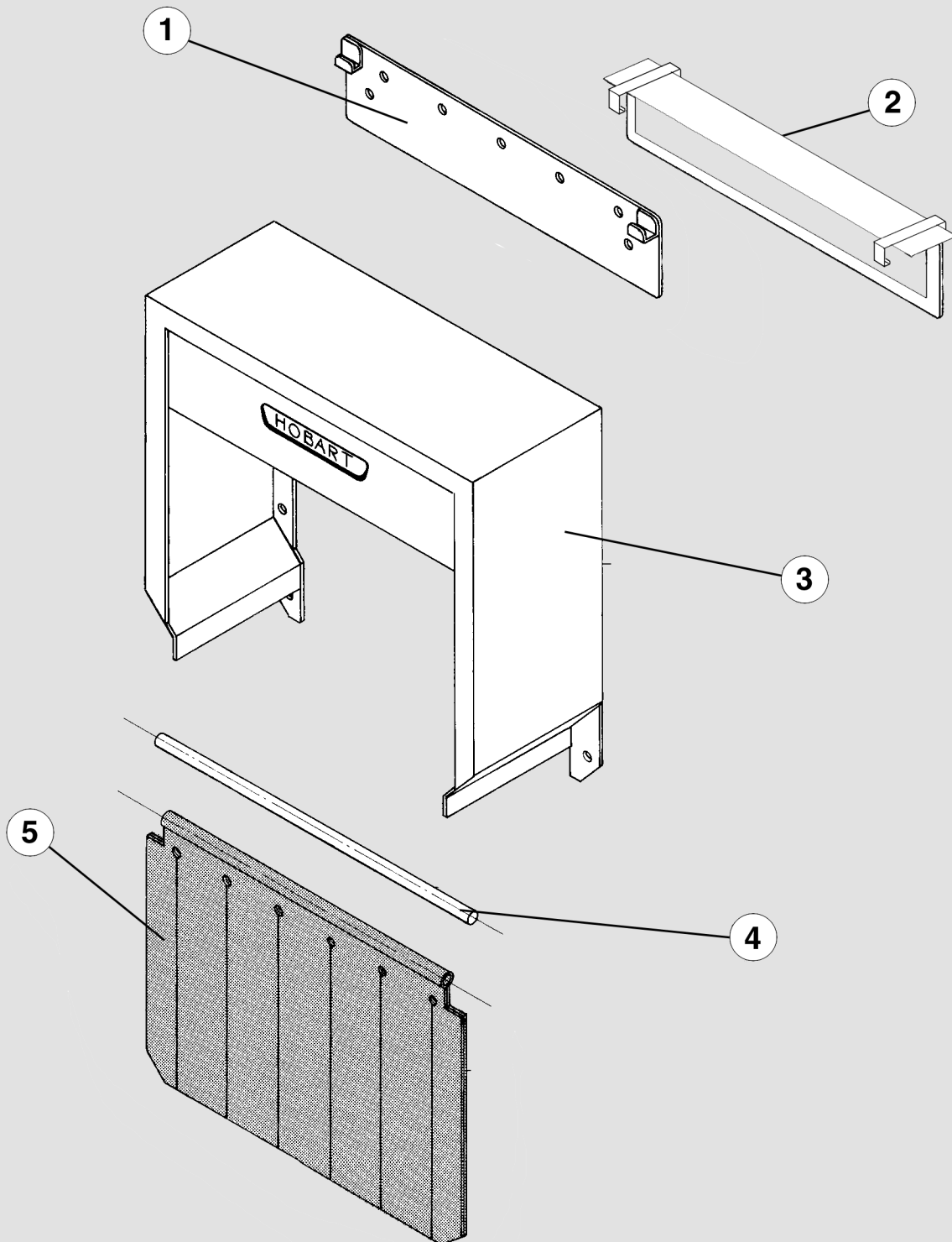
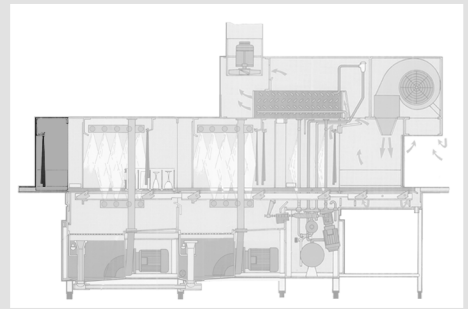


CX

Dishwashers (Rigid Pipework)



**Spare Parts
Pièces Détachées
Ersatzteile**

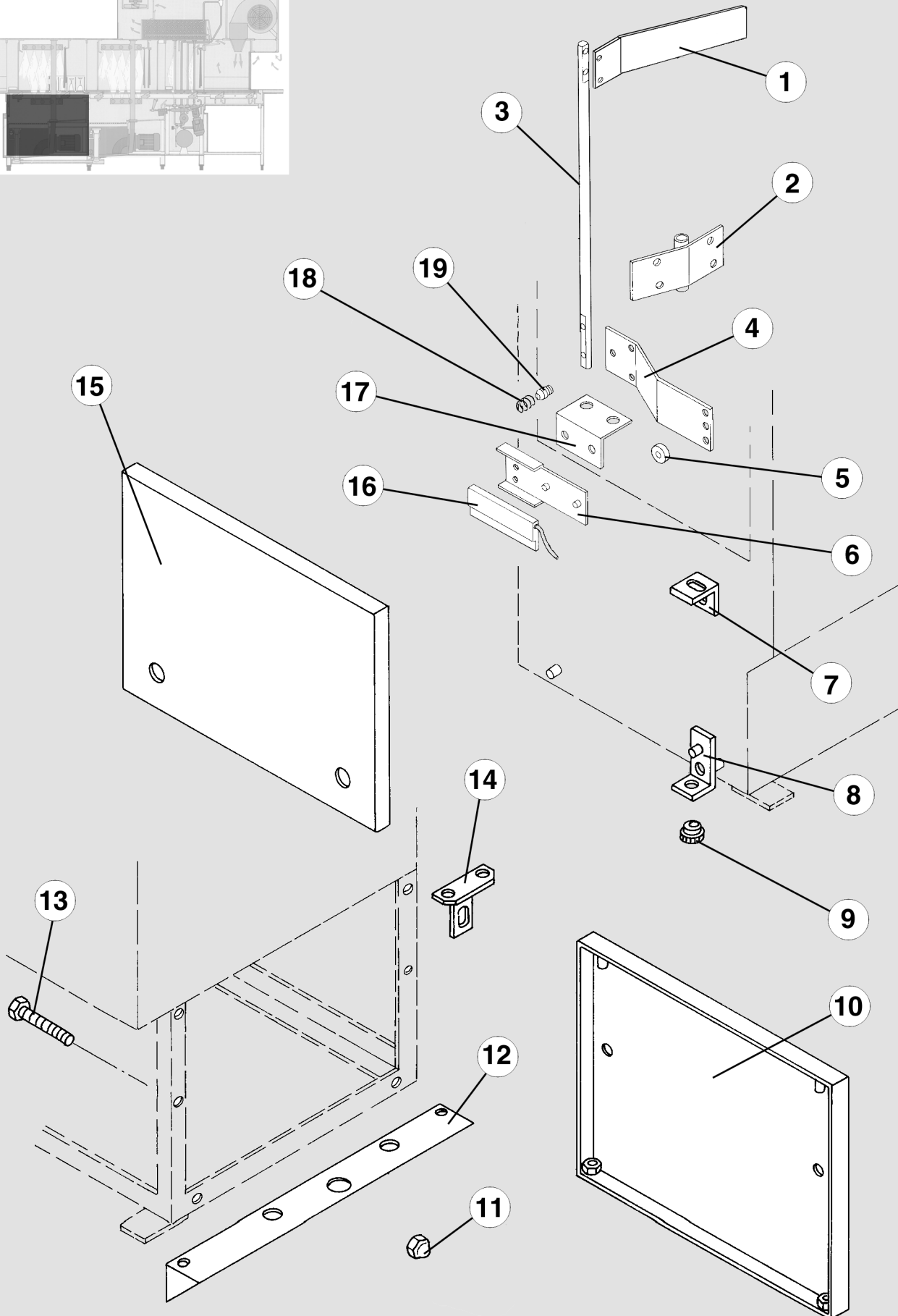
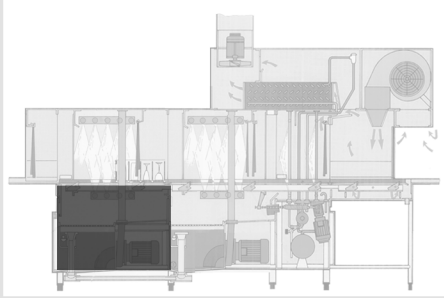




Extended Hood
Sas
Vorhaube

CX

Key No	Part No	Description
1	231843	Plate
2	230879-1	Curtain Baffle / Double Hanger
3	231620-1	Hood Assy
4	231540-1	Rod 612mm
5	230781	Curtain

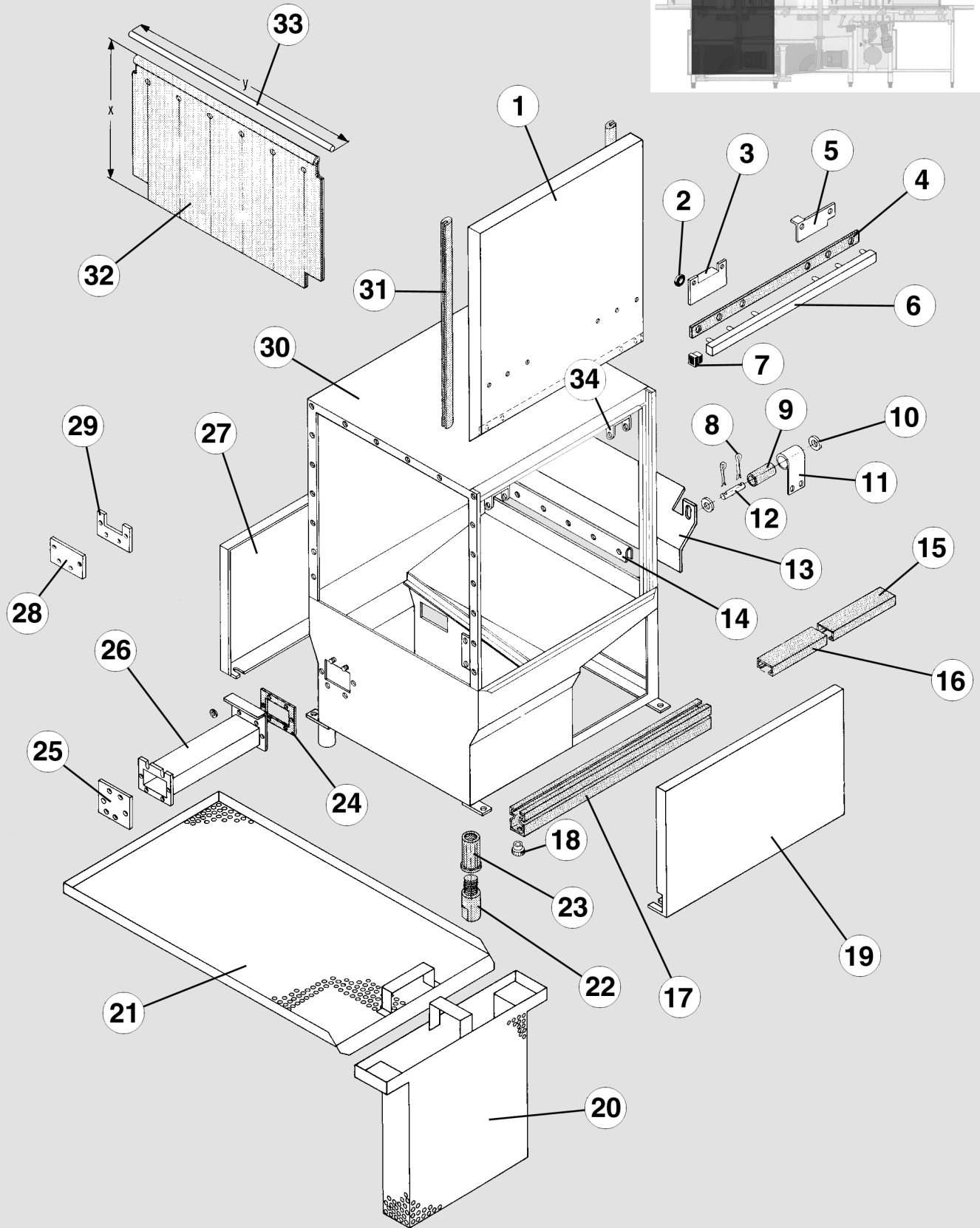




Autotimer + Side Panels
Autominuteur + Panneaux Latérales
Autotimer + Seitenverkleidungen

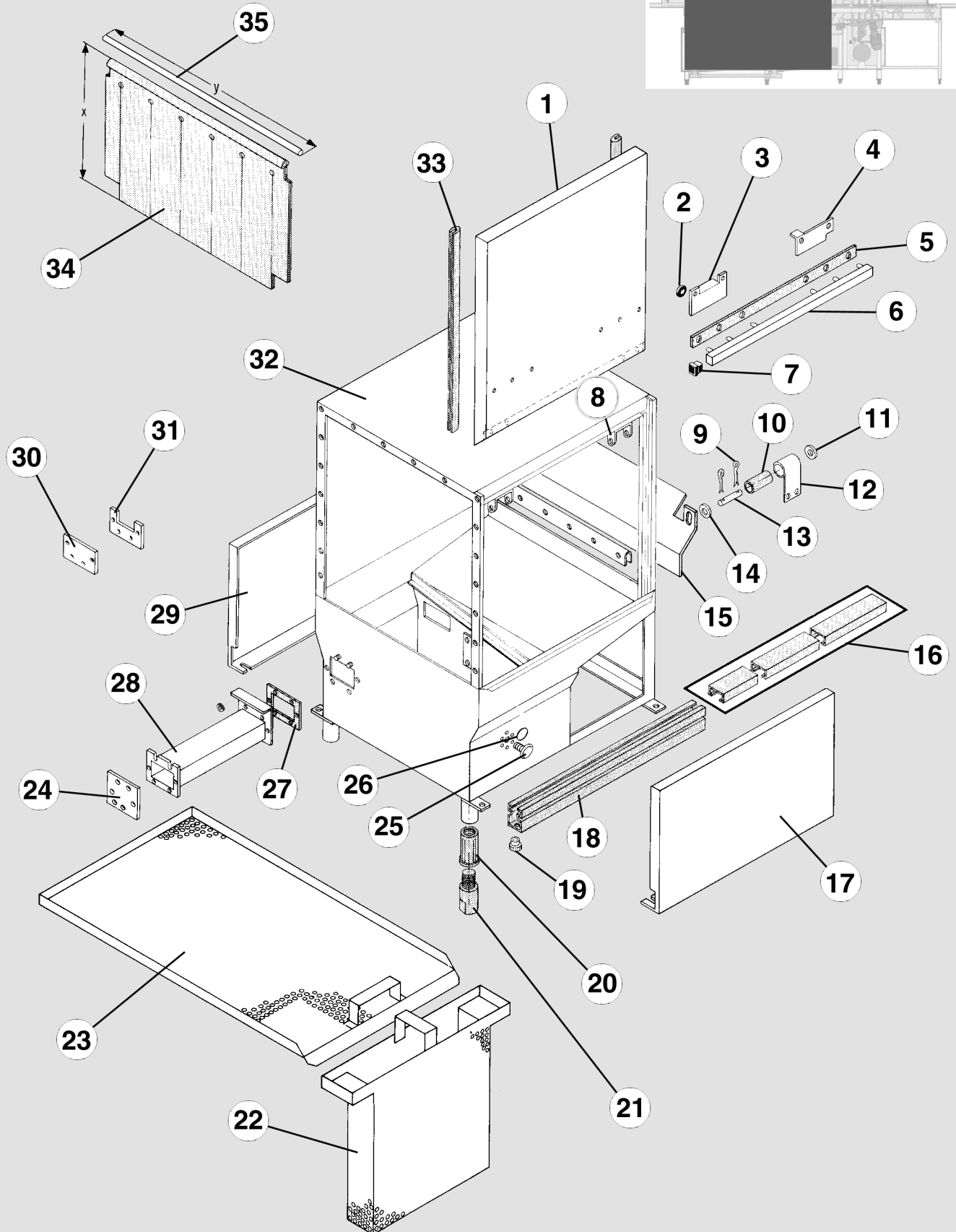
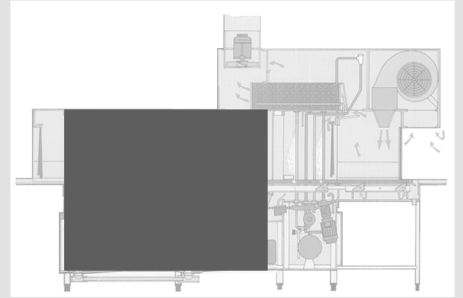
CX

Key No	Part No	Description
1	230942 230934	Lever / Plate Auto Timer (AF-70) * Lever / Plate Auto Timer *
2	230939	Bracket *
3	230938	Rod *
4	230935	Bracket *
5	166964	Magnet. NB:, 325673-1 (Has a Stronger Magnetic Field)
6	230944	Bracket - Autotimer
7	230965	Bracket
8	230950	Bracket Assy
9	229525	Nut - Knurled
10	230951	Panel - Cover Assy
11	602512	Acorn Nut
12	230953	Bracket
13	602747	Screw (M6 x 60)
14	230948	Bracket
15	230952-1 230952-2	Panel (L - R) Panel (R - L)
16	230754-2	Autotimer - Cut Out Magnetic
17	230936	Bracket *
18	230943	Spring - Rinse Arm
19	230940	Screw
	*150840-1	Autotimer Lever Assy (L - R)
	*150840-2	Autotimer Lever Assy (R - L)



Key No	Part No	Description
1	229790	Door
2	166964	Magnet NOTE: New door magnets with a stronger magnetic field are now available when ordering Part No. 774714-1.
3	231591 231586	Bracket L-R Bracket R-L
4	229805	Gasket
5	231592 231583	Bracket L-R Bracket R-L
6	229806	Handle
7	229532	Plug
8	603274	Split Pin (3 x 16mm)
9	173481	Roller
10	WAM-E-8-42	Washer 10.5 x 21mm)
11	230072	Spring - Door (600mm)
12	602839	Pin
13	230928	Panel - Wash Tank
14	231517	Bracket
15	229561-7	Cable Duct Cover x 230
16	229561-4	Cable Duct Cover x 150
17	229553-5	Conduit - Bottom
18	229525	Nut - Knurled
19	229204-2	Panel
20	229763	Strainet Basket
21	231515-2	Strainer Pan
22	166066-3	Foot - Adjustable

Key No	Part No	Description
23	166067-1	Treaded Insert - Foot
24	229161	Gasket
25	229166-1	Plate
26	229765 229160	Tube Assy L-R Tube Assy R-L
27	231544-2	Panel
28	229162-1	Bracket
29	229162-3	Bracket
30	231500	Chamber
31	112378-21	Guide - Door
32	231602-1	Curtain (380mm)
33	231540-2	Rod (680mm)
34	174085	Bracket - Spring
	869274-1	Sealing Tape



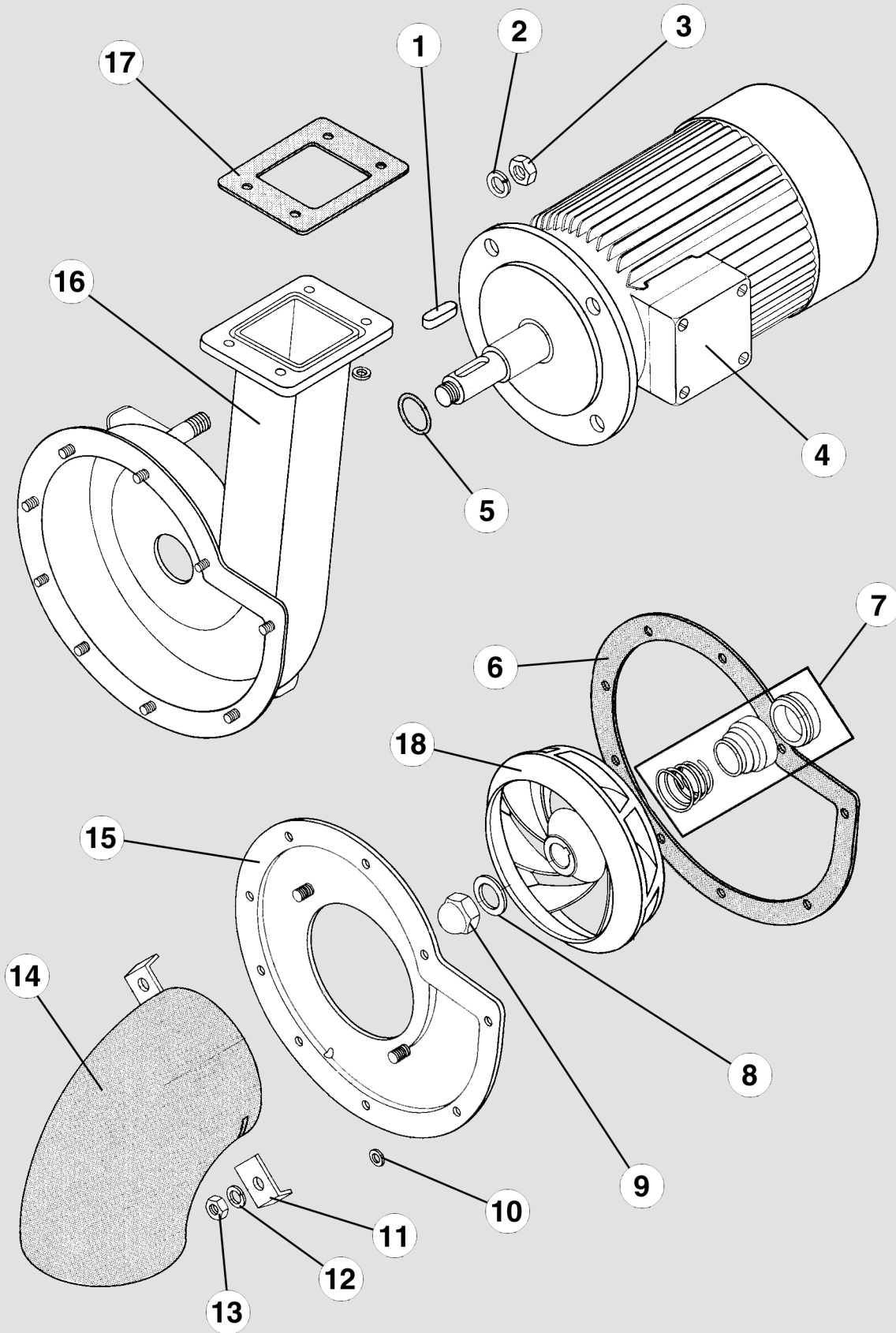
Key No	Part No	Description
1	229132	Door
2	166964	Magnet NOTE: New door magnets with a stronger magnetic field are now available when ordering Part No. 774714-1.
3	231591 231586	Bracket L-R Bracket R-L
4	231592 231583	Bracket L-R Bracket R-L
5	229531	Gasket
6	229501	Handle
7	229532	Plug
8	174085	Bracket - Spring
9	603274	Split Pin (3 x 16mm)
10	173481	Roller
11	WAM-E-8-42	Washer (10.5 x 21mm)
12	229277 229732	Spring - Door (900mm) Spring - Door (for Insullated 900mm)
13	140001	Spring - Axle
14	WAM-E-8-42	Washer (10.5 x 21mm)
15	231539	Plate
16	229561	Conduit - Top
17	229204-1	Panel - Side
18	229331	Conduit - Bottom
19	229525	Nut - Knurled
20	166067-1	Treaded Insert
21	166066-3	Foot - Adjustable



Module 900mm

CX

Key No	Part No	Description
22	229400	Basket
23	231515-1	Strainer Pan
24	229166-1	Plate
25	229585	Plug Button - Tank
26	67500-118	O-Ring
27	229161	Gasket
28	229765 229160	Tube Assy L-R Tube Assy R-L
29	231544-1	Panel
30	229162-1	Bracket
31	229162-3	Bracket
32	230810	Chamber
33	112378-21	Guide - Door
34	231602-1	Curtain
35	231540-2	Rod
	869274-1	Sealing Tape

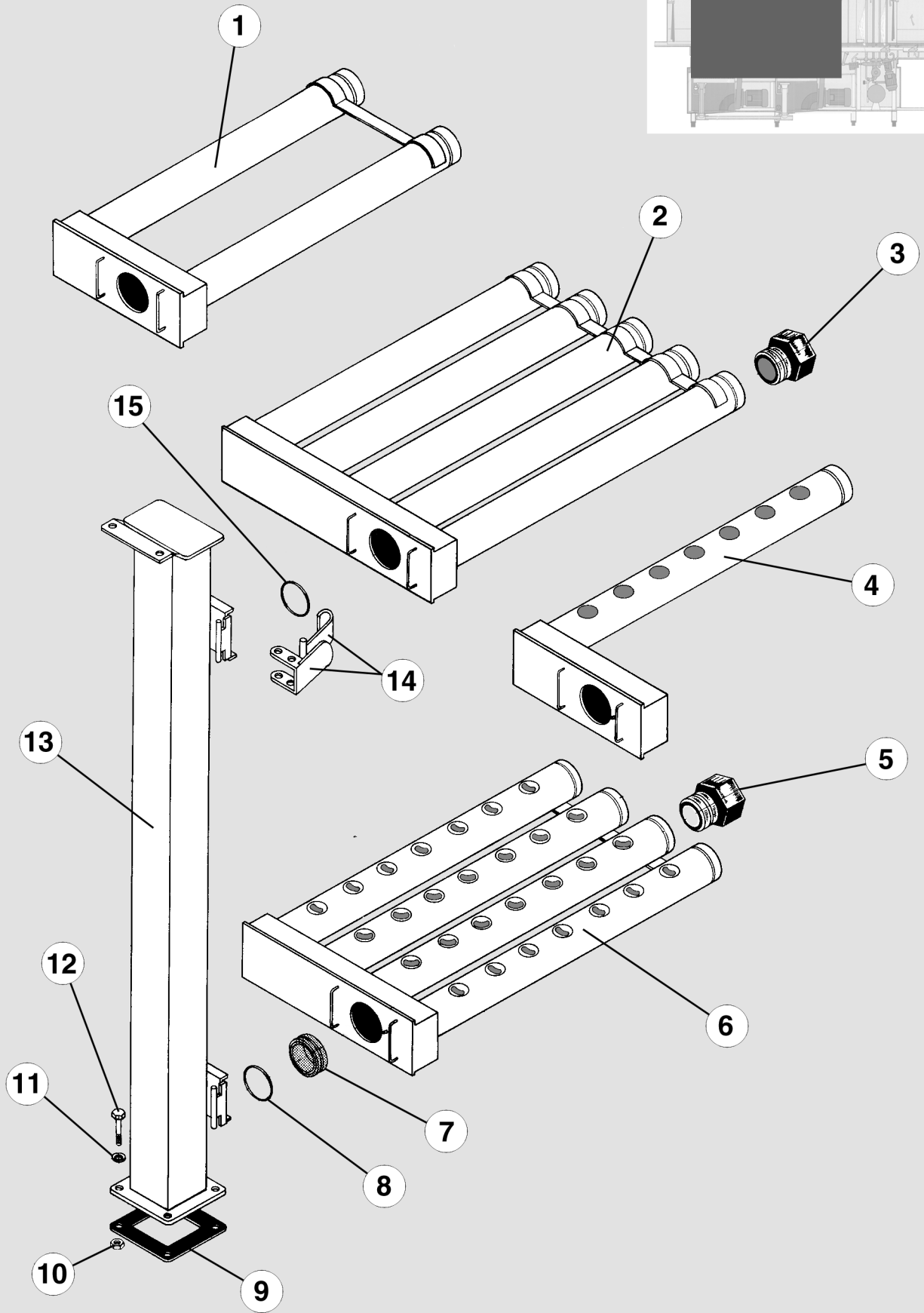
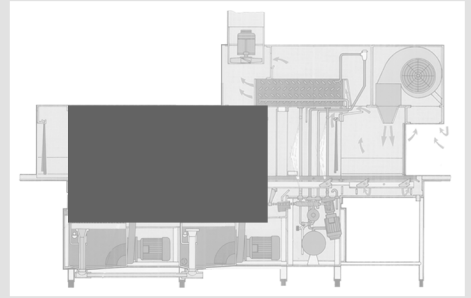




Pump / Pompe / Pumpe
600 & 900 mm Module

CX

Key No	Part No	Description
1	602344	Key (A4 x 4 x 16)
2	602305	Lockwasher M8
3	602492	Nut M8
4	229741-1 229136-73-74 229136-17	PRE-Wash Motor - .55kW MAIN-Wash Motor - 1.5kW Heavy Duty Motor - 2.2kW
5	67500-8	O-Ring
6	229402	Gasket
7	104329	Seal Assy 5/8"
8	602287	Washer 8.4mm
9	NUM-E-3-31 NUM-E-4-10	Nut - Dome M8 Nut - Dome M10
10	602286	Lockwasher
11	229416	Clip - Intake
12	LWM-E-3-1	Lockwasher M6
13	NUM-E-3-2	Nut M6
14	229434	Pump Intake
15	229616	Face Plate - Pump
16	229395	Pump Housing
17	296709	Gasket
18	229575-1 229575-2	Impeller - 50Hz - .55kW Motor - Module 600 Impeller - 60Hz - .55kW Motor - Module 600
	231593-1 231593-2	Impeller - 50Hz - 1.5kW Motor - Module 900 Impeller - 60Hz - 1.5kW Motor - Module 900
	229137-1 229137-2	Impeller - 50Hz - 2.2kW Motor - Module 900 Impeller - 60Hz - 2.2kW Motor - Module 900

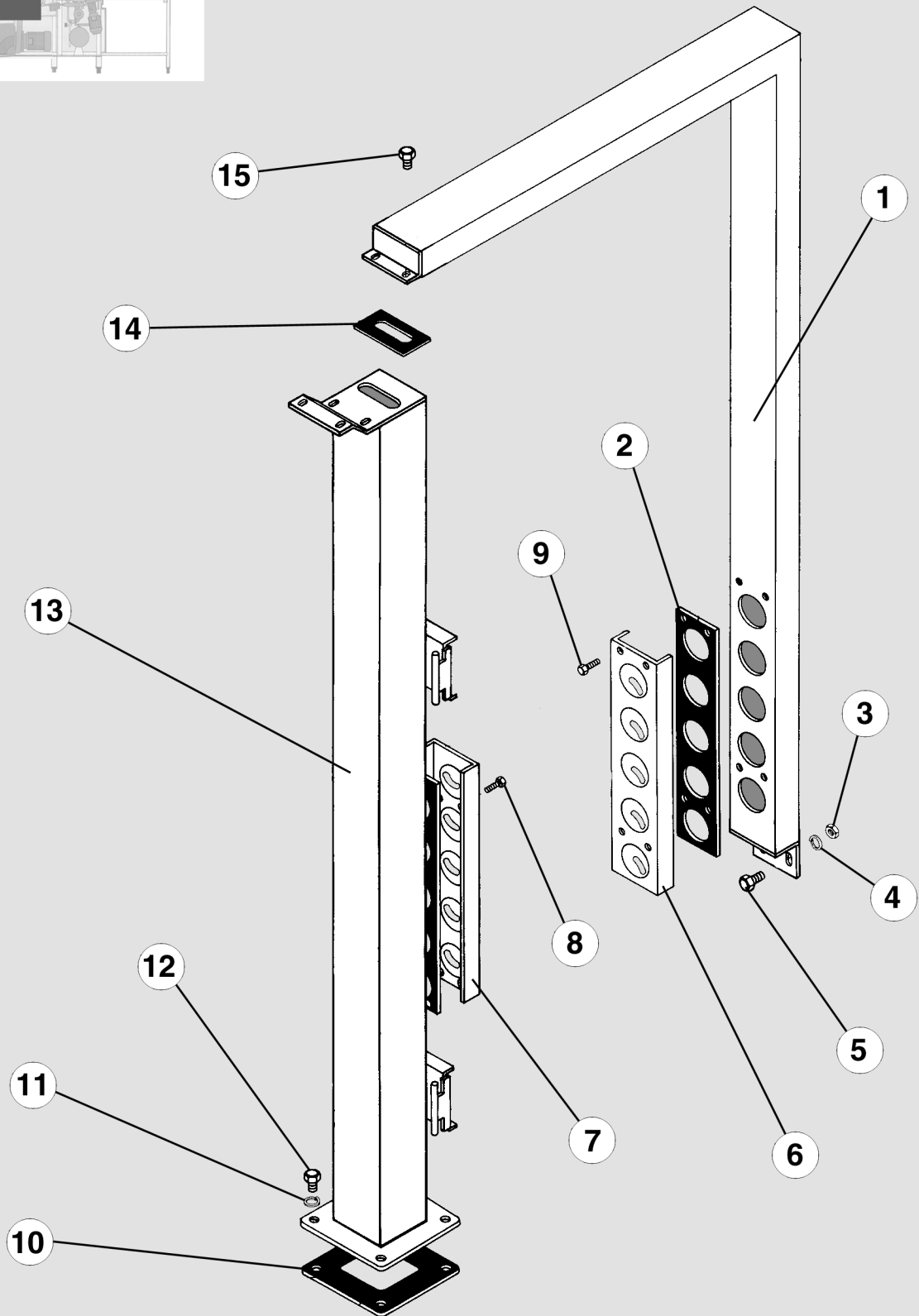
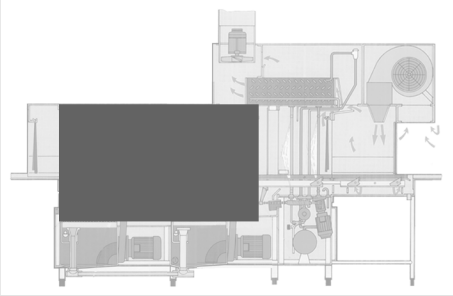




**Wash Systems
Rampe de Lavage
Waschsysteme**

CX

Key No	Part No	Description
1	229862-2 229864-2	Wash Arm Upper - L-R Wash Arm Upper - R-L
2	229630-2 229631-2	Wash Arm Upper - L-R Wash Arm Upper - R-L
3	106769	Wash Arm Plug
4	229863-2	Wash Arm Lower
5	106769	Wash Arm Plug
6	229057-2	Wash Arm Lower
7	229568-1 229568-3 229568-2 229568-4	Wash Arm Choke - 31mm Dia Bore Wash Arm Choke - 28mm Dia Bore Wash Arm Choke - 23mm Dia Bore Wash Arm Choke - 18mm Dia Bore
8	GS-E-1-3	O-Ring
9	296709	Gasket
10	NUM-E-3-2	Nut M6
11	LWM-E-3-1	Lockwasher M6
12	SCM-E-13-39	Screw M6
13	231510-1	Dishcharge Pipe
14	784303-1	Latch Assy
15	GS-E-1-3	O-Ring

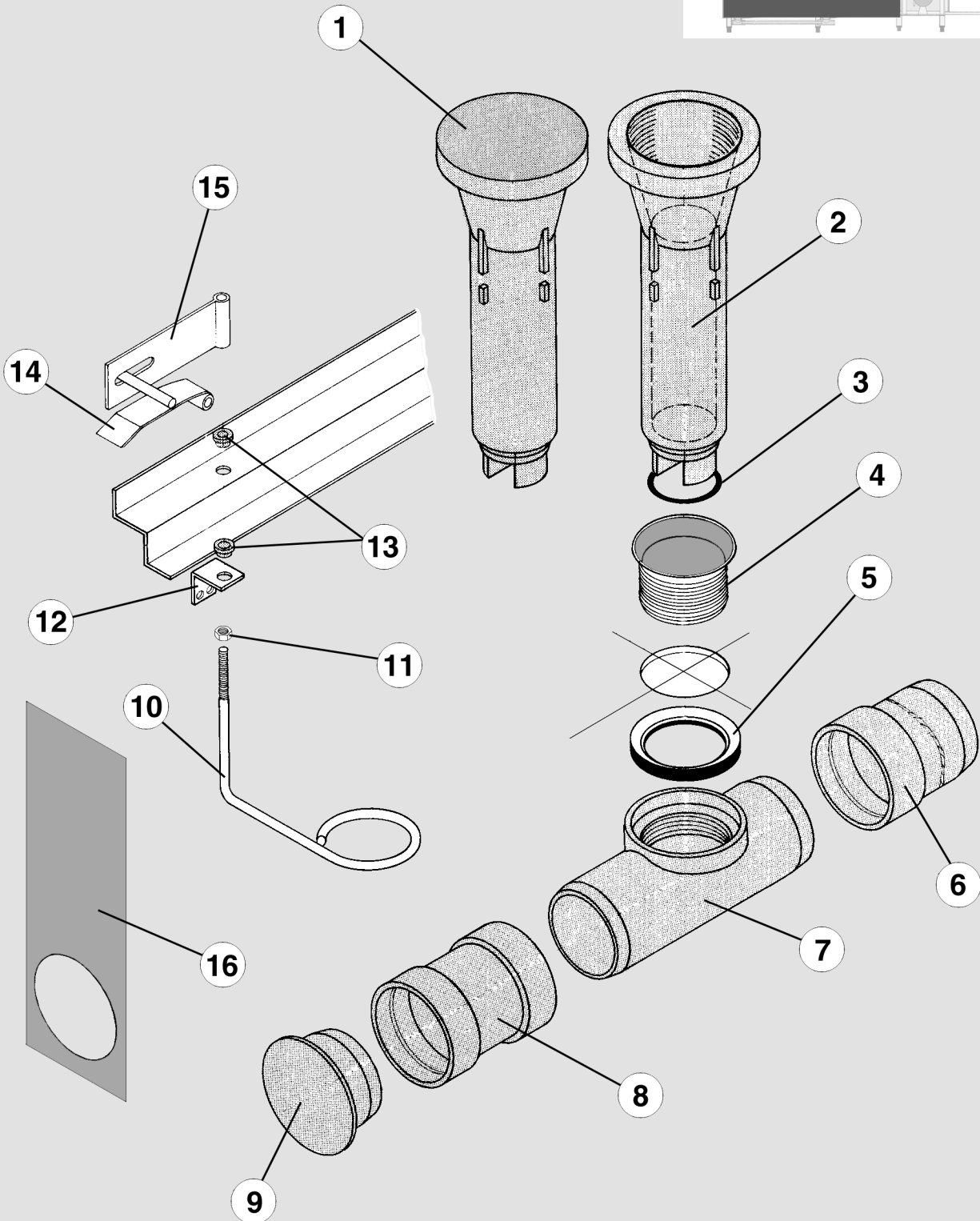
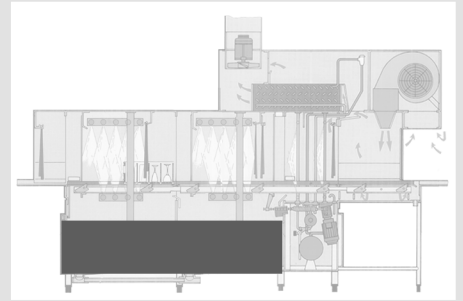




Side Wash
Rampe de Lavage Latérale
Seitliche Waschung

CX

Key No	Part No	Description
1	231644	Manifold
2	230231	Gasket
3	NUM-E-3-2	Nut M6
4	LWM-E-3-1	Lockwasher M6
5	602569	Screw M6
6	230236-1 230235-1	Plate L-R Plate R-L
7	230236-1 230235-1	Plate L-R Plate R-L
8	602567	Screw M5
9	602567	Screw M5
10	296709	Gasket
11	LWM-E-3-1	Lockwasher M6
12	SCM-E-13-39	Screw M6
13	231643	Manifold
14	231645	Gasket
15	602570	Screw M6

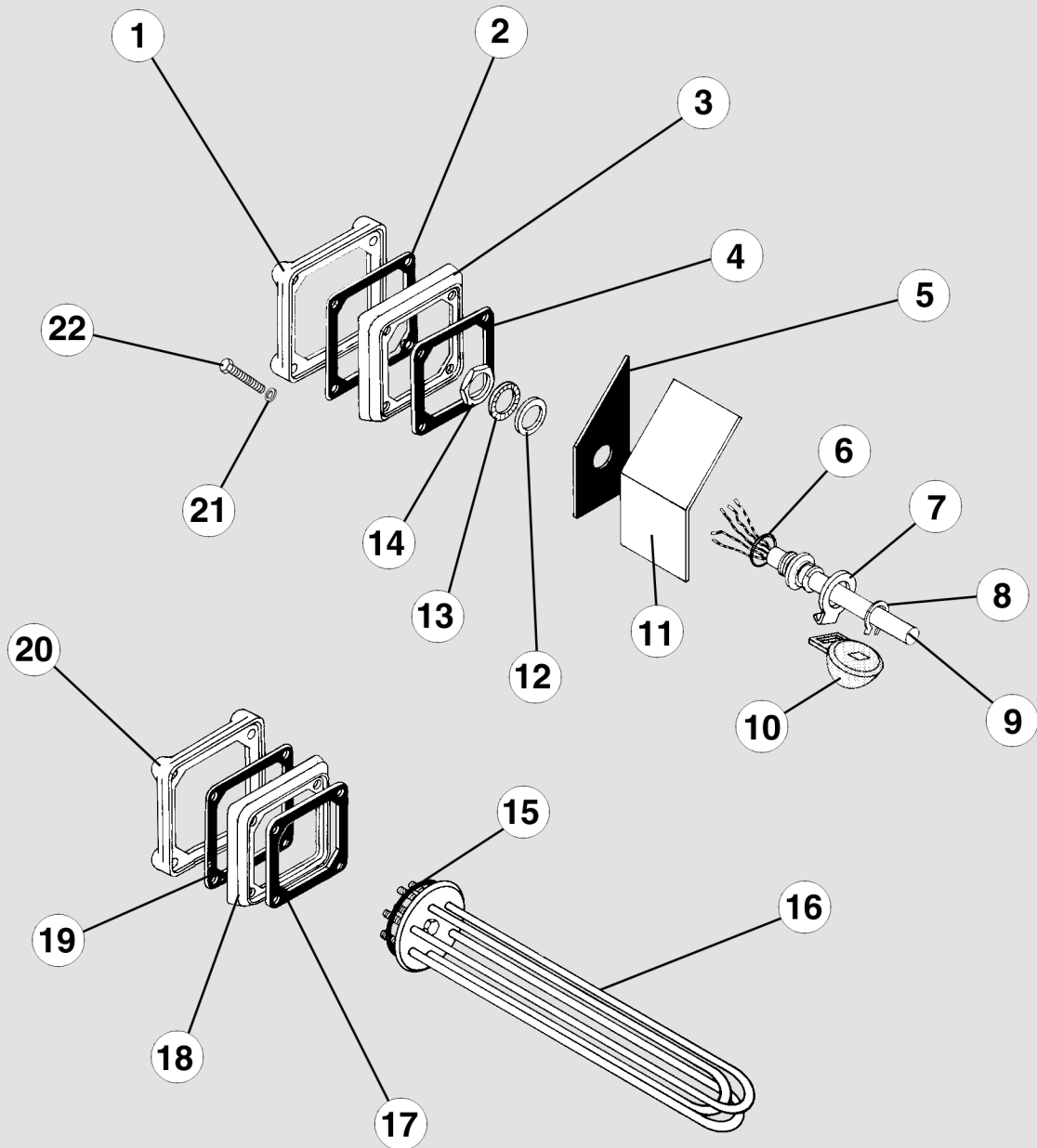
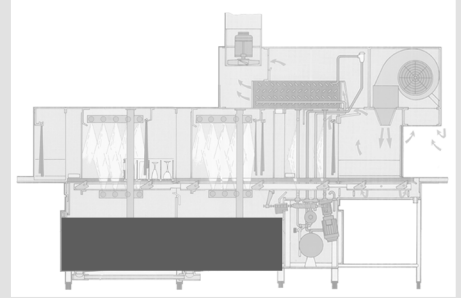




**Drain
Vidange
Ablauf**

CX

Key No	Part No	Description
1	229427-1 153085	Overflow Pipe - Solid Plastic Overflow Pipe - Solid S/Steel
2	230346-1	Overflow Pipe
3	67500-15	O-Ring
4	226558-1	Drain Adaptor
5	226556	Gasket
6	600573	HT Pipe
7	229419	Drain Body
8	229680-1	Connecting Piece
9	229681-1	End Cap
10	229155	Rod Lift
11	NUM-E-3-2	Nut M6
12	229153	Bracket
13	229566	Bush
14	230039	Lever
15	229394	Lever
16	150387	Drain Support Bracket





Tank Heating & Floatswitch
Chauffage du bac & Interrupteur à Flotteur
Tankheizung & Schwimmer-Schalter

CX

Key No	Part No	Description
1	229514	Cover Terminal Box
2	229515	Gasket Terinal Box
3	229513-1	Terminal Box
4	229516	Gasket
5	300600	Gasket
6	67500-72	O-Ring
7	112467	Retainer Float
8	RR-E-2-34	Retainer Ring
9	229519	Float Switch - PTC Resistor
10	122674	Float Asy
11	229190	Panel
12	602292	Washer
13	602316	Washer
14	602476	Nut
15	67500-118	O-Ring
16	229148-2	Heating Element 9kW - 240/415V
	229148-12	Heating Element 7.5kW - 240/415V
	229148-8	Heating Element 6kW - 240/415V
	229148-4	Heating Element 12kW - 240/415V
	229148-6	Heating Element 12kW - 254V
	229666	Bridge Link
17	229516	Gasket
18	229513-2	Terminal Box
	229513-3	Terminal Box (Scrapper)
19	229515	Gasket Terminal Box
20	229514	Cover Terminal Box



Tank Heating & Floatswitch
Chauffage du bac & Interrupteur à Flotteur
Tankheizung & Schwimmer-Schalter

CX

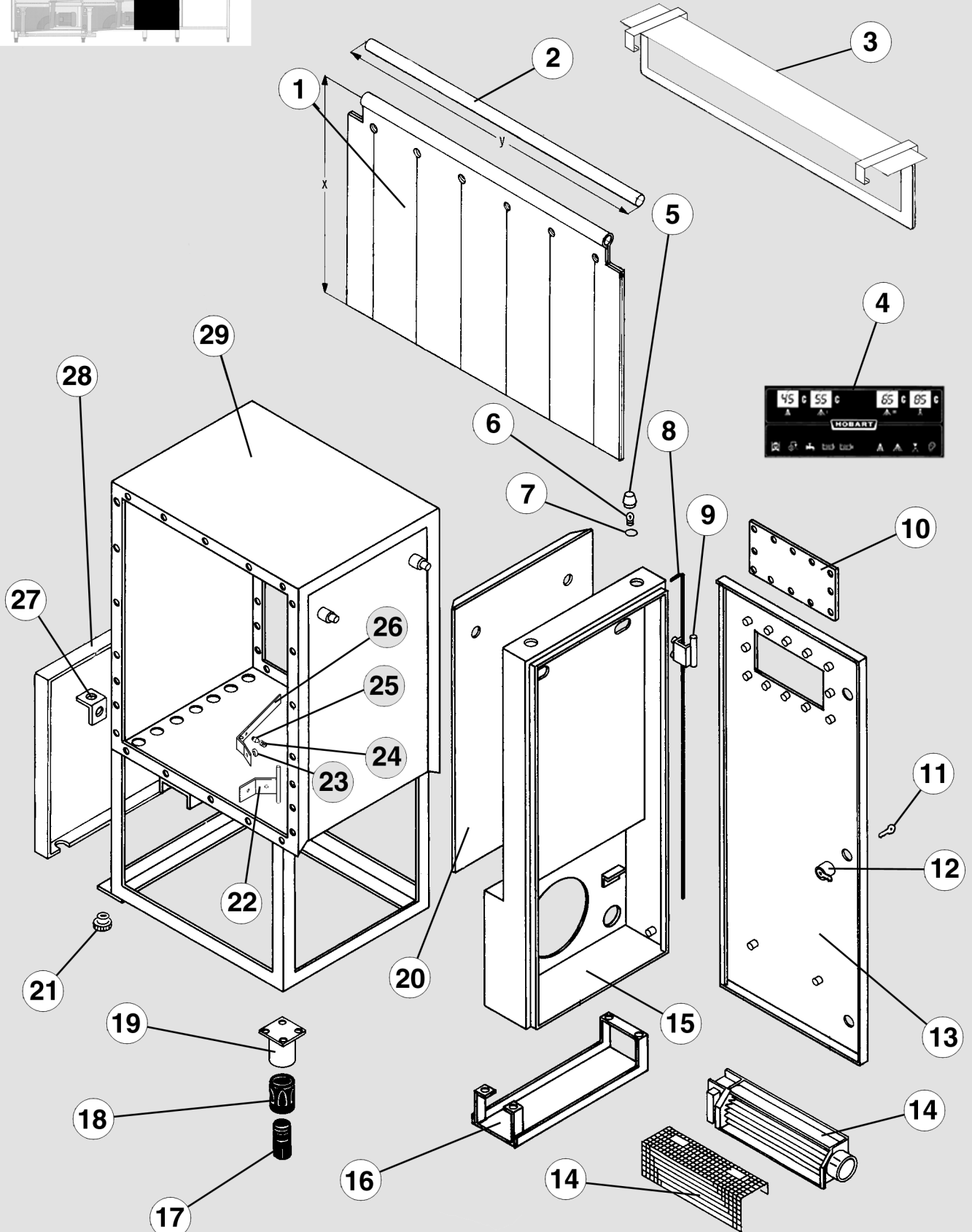
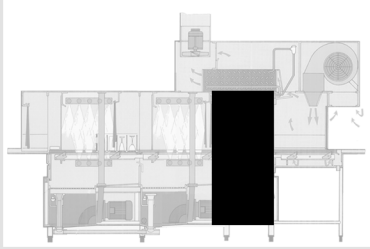
Key No	Part No	Description
21	LWM-E-2-2	Lockwasher x4
22	SCM-E-3-34	Screw x4



Tank Heating-Hot Water / Steam
Chauffage du bac-eau Surchauffée / Vapeur
Tankheizung-Heißwasser - Dampft

CX

Key No	Part No	Description
1	774625-1 774625-11 774625-12	Valve Assy - 3/4" Valve Service Kit Coil- Valve
2	168611-1	Gasket 22mm
3	229664	Tube Assy
4	165828-2	Inlet Valve Assy
5	168704	Steam Trap - 3/4"
6	165828-2	Inlet Valve Assy
7	229665	Nut & Tube Assy
8	172739-3	Nut
9	229661	Coil - Heating - Steam





Rinse Section / Control Box - PCB
Zone de Rincage - PCB
Klarspülzone - PCB

CX

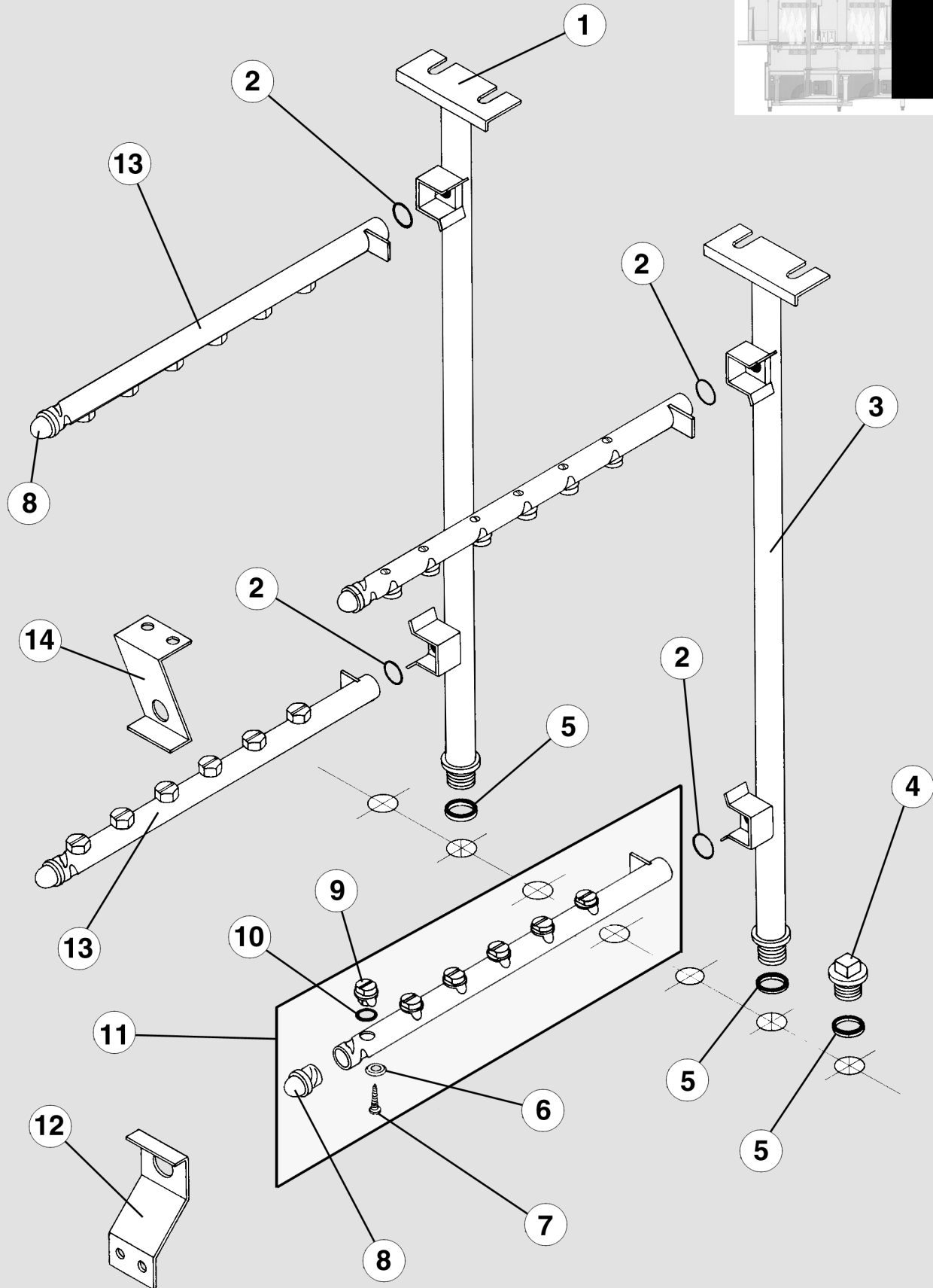
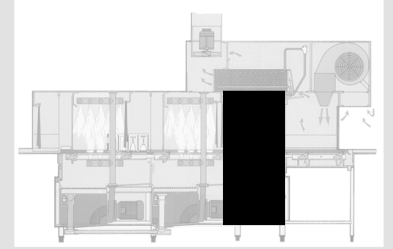
Key No	Part No	Description
1	231602-1 231602-2	Curtain - 380mm Curtain - 210mm
2	231540-2	Rod - Curtain
3	230879-1	Curtain Baffle - Double
4	174951-2 152153 174951-3 152494 174951-6 152493	Printed Circuit Board - 3 Displays - CXSA / CXLA Key Pad - 3 Displays Printed Circuit Board - 4 Displays - CXSB / CXLB Key Pad - 4 Displays Printed Circuit Board - 2 Displays - CXA / CX95 Key Pad - 2 Displays
5	229157-3 229157-2	Pilot Light - Yellow Pilot Light - Green
6	229167-1	Bulb
7	229048	Seal
8	229169-1	Door Seal
9	230733	Hinge
10	229620	Glass Display
11	229518-1	Key - Control Box
12	229518-2	Door Catch - Lock
13	152527	Door - Control Box
14	231747-1	Fan - Radial
15	230946	Control Box - Panel
16	230926	Base Panel
17	166066-3	Foot - Adjustable
18	166067-1	Thread Insert - Foot
19	229177	Foot Bracket - Weldment
20	230842	Panel



Rinse Section / Control Box - PCB
Zone de Rincage - PCB
Klarspülzone - PCB

CX

Key No	Part No	Description
21	229525	Nut - Knurled
22	230922	Rinse Lever Pivot
23	166964	Magnet
24	230943	Spring - Rinse Lever
25	230921	Rinse Lever
26	230919	Rinse Actuator Assy
27	230965	Bracket
28	231544-3	Panel
29	230839	Chamber

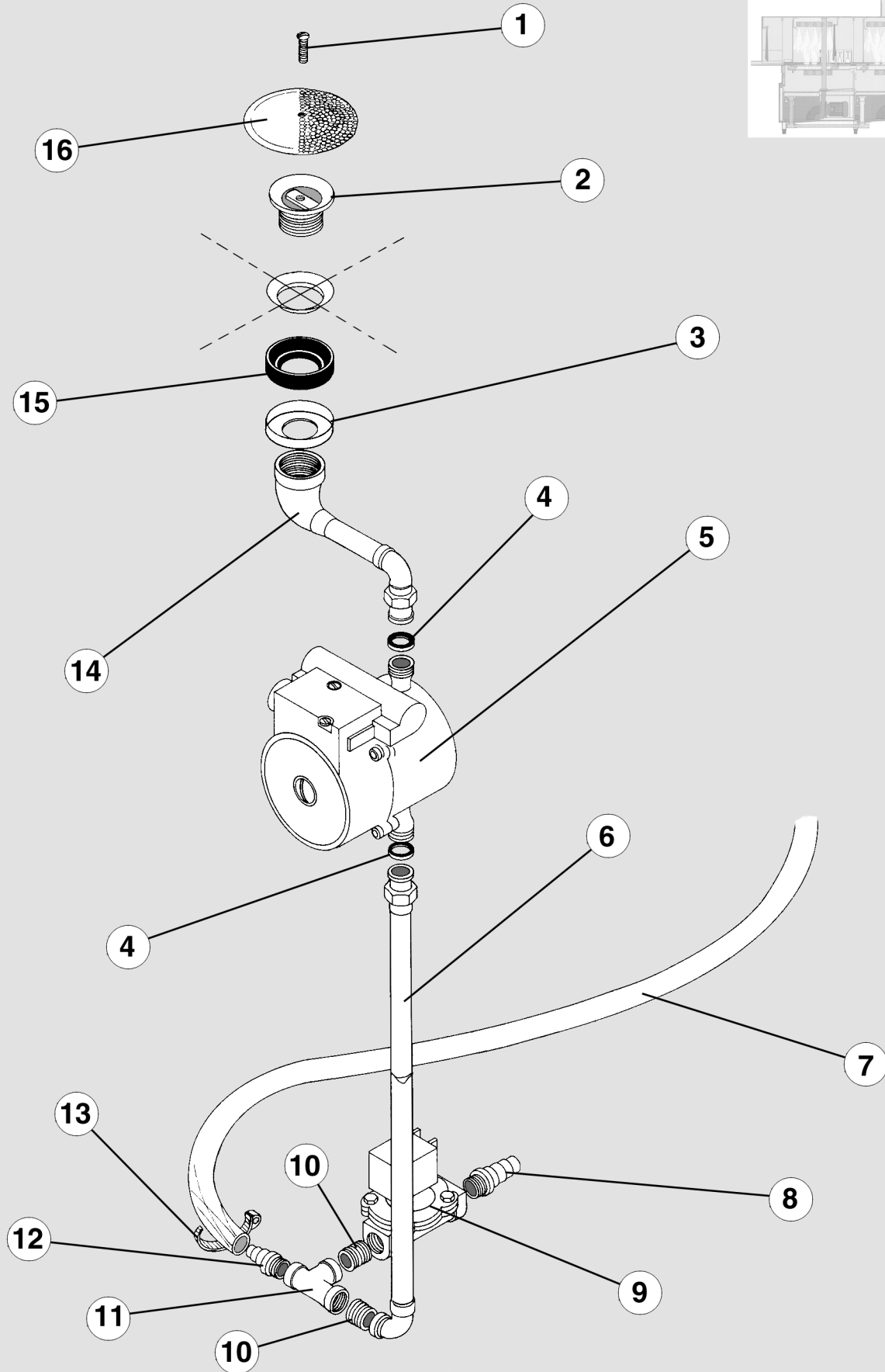
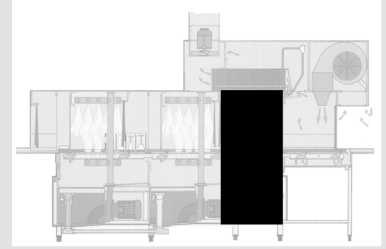




Rinse System
Rampe de Tinçage
Spülsystem

CX

Key No	Part No	Description
1	230847-2	Tube Assy
2	229323	Gasket
3	230847-1	Tube Assy
4	603412	Bolt
5	172986-11	Gasket
6	173723-1	Special Washer
7	SD-E-1-32	Drive Screw
8	229330	Plug
9	226800-3 230536	Rinse Nozzle - Plastic Rinse Nozzle - Metal
10	172986-18	O-Ring
11	230964-1 150809-1	Final Rinse Arm Assy Final Rinse Arm - 4 hole
12	229329	Bracket
13	230964	Pre Final Rinse Arm - 6 hole
14	229328	Bracket

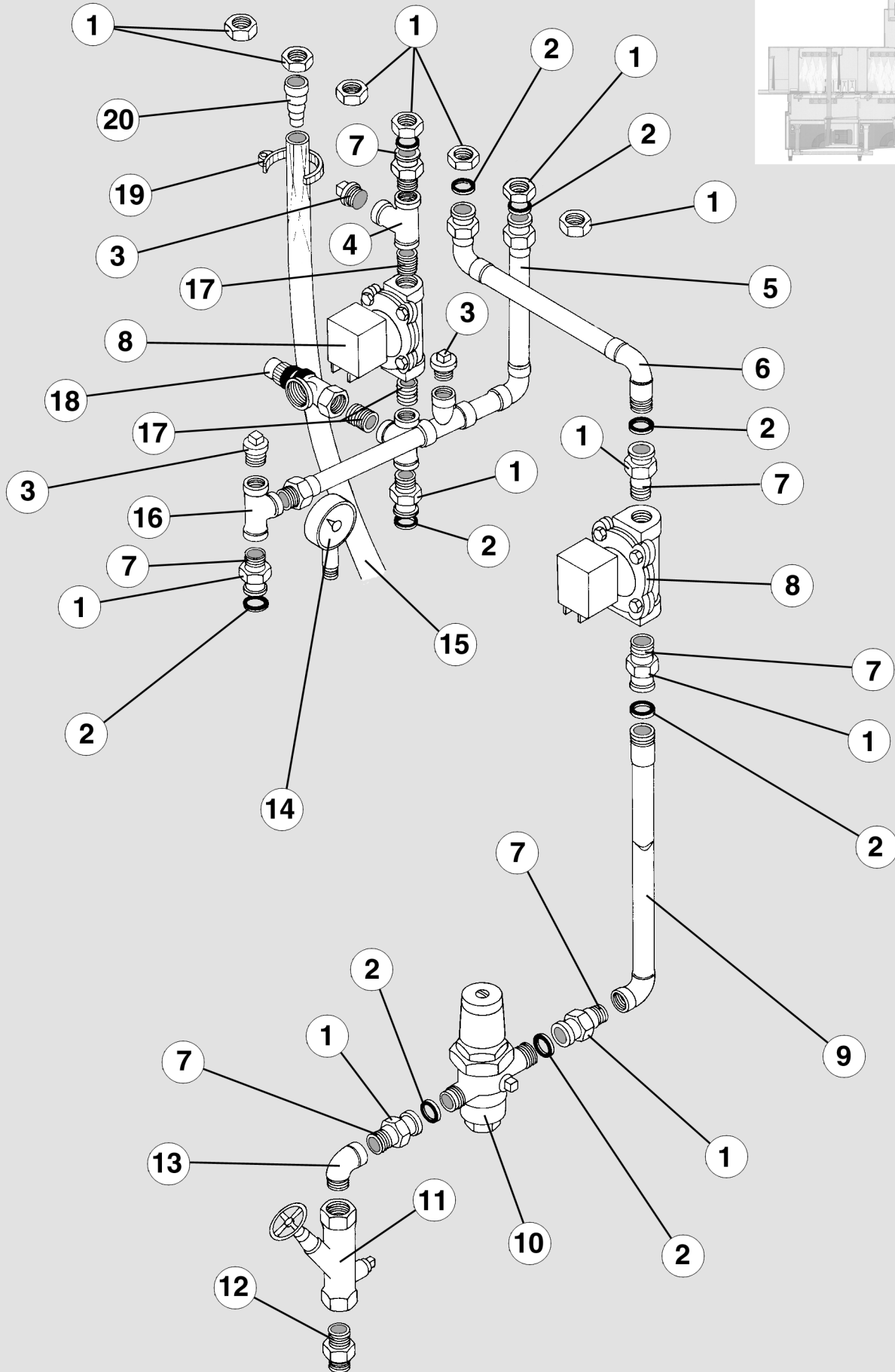




Dual Rinse Pump
Pompe de double- Rinçage
Duo-Spülpumpe

CX

Key No	Part No	Description
1	SCM-E-13-35	Screw
2	230787	Filter Adaptor
3	230788	Seal
4	300084-7	Gasket
5	229060-2 229060-10	Pre- / Re-Circulating Rinse Pump - 3pH Pre- / Re-Circulating Rinse Pump - 1pH
6	230783	Rinse Pipe
7	226994-12	Pipe
8	229683-1	Nipple
9	229677-1	Soleniod Valve
10	602938	Nipple
11	603165	Tee
12	229702-1	Hose Connection
13	166513-5	Clip - Hose
14	230784	Pipework Assy
15	226556	Gasket
16	230932	Strainer
17	296780-2 140261-8	Final / Main Rinse Pump - Calpeda Mechanical Seal



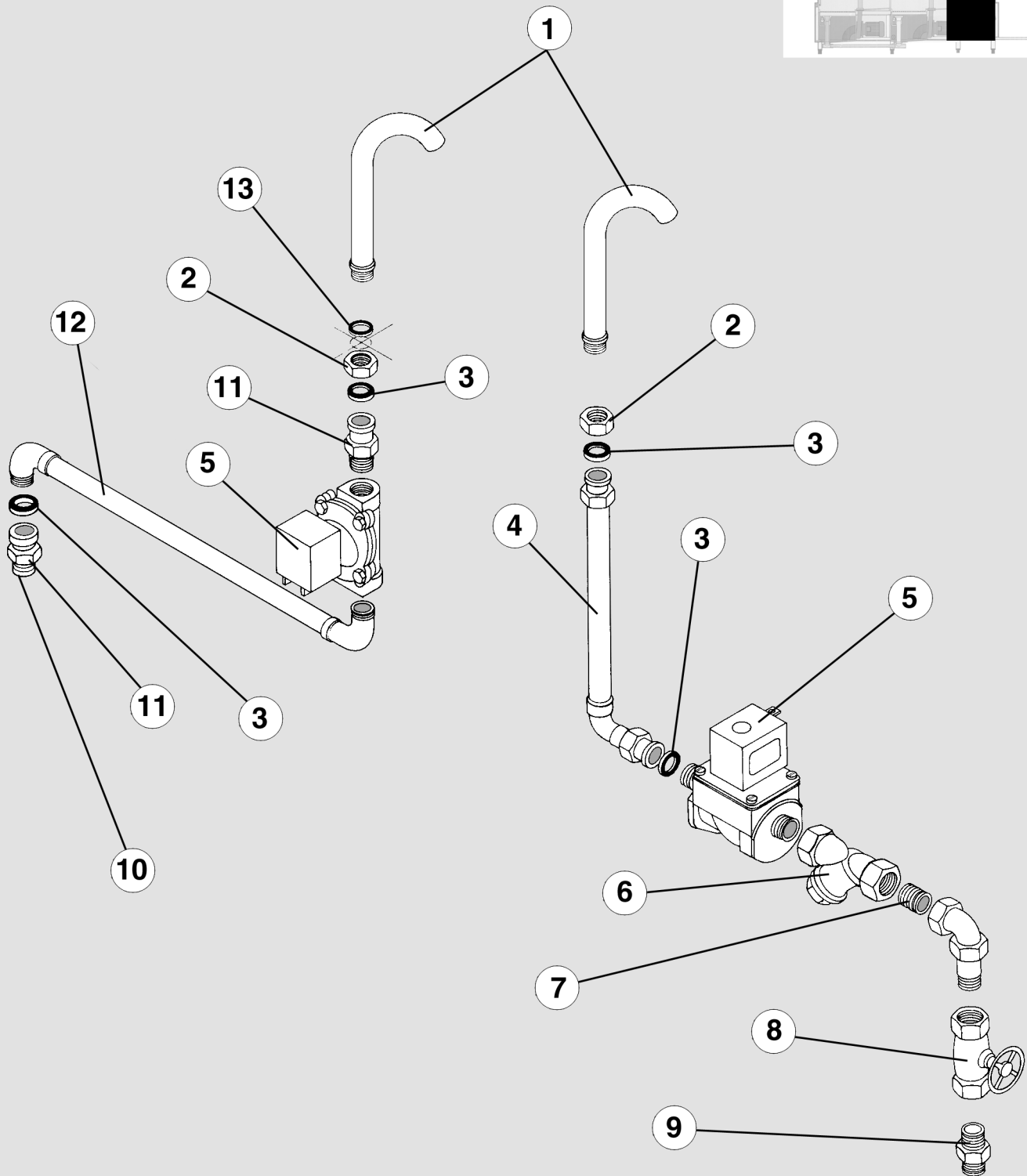
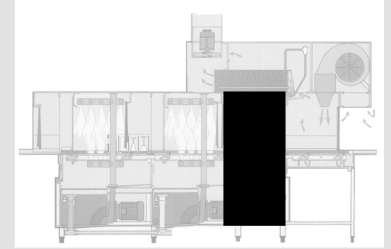


Rinse Pipework
Tuyauterie
Rohrleitunge

CX

Key No	Part No	Description
1	602407	Union Nut 3/4"
2	300084-2	Washer
3	603102	Plug
4	603162	Tee
5	231588	Pipe
6	230773	Pipe
7	602402	Union
8	774624-1	Solenoid Valve Assy
9	230771	Pipe
10	229110-2	Pressure Reducer
11	230237-1	Valve 1/2"
12	603502	Nipple - Double 1/2"
13	??????	Elbow (3092 - 1/2")
14	229583-1	Pressure Gauge
15	226994-12	Pipe
16	603162	Tee
17	602938	Nipple
18	229621-1	Valve Safety
19	166513-5	Hose Clip
20	149070-3	Nipple

NOTE: Braided Pipe / Hose is available as use on the later models
150672-2 Hose Braided

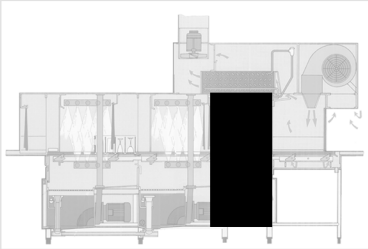




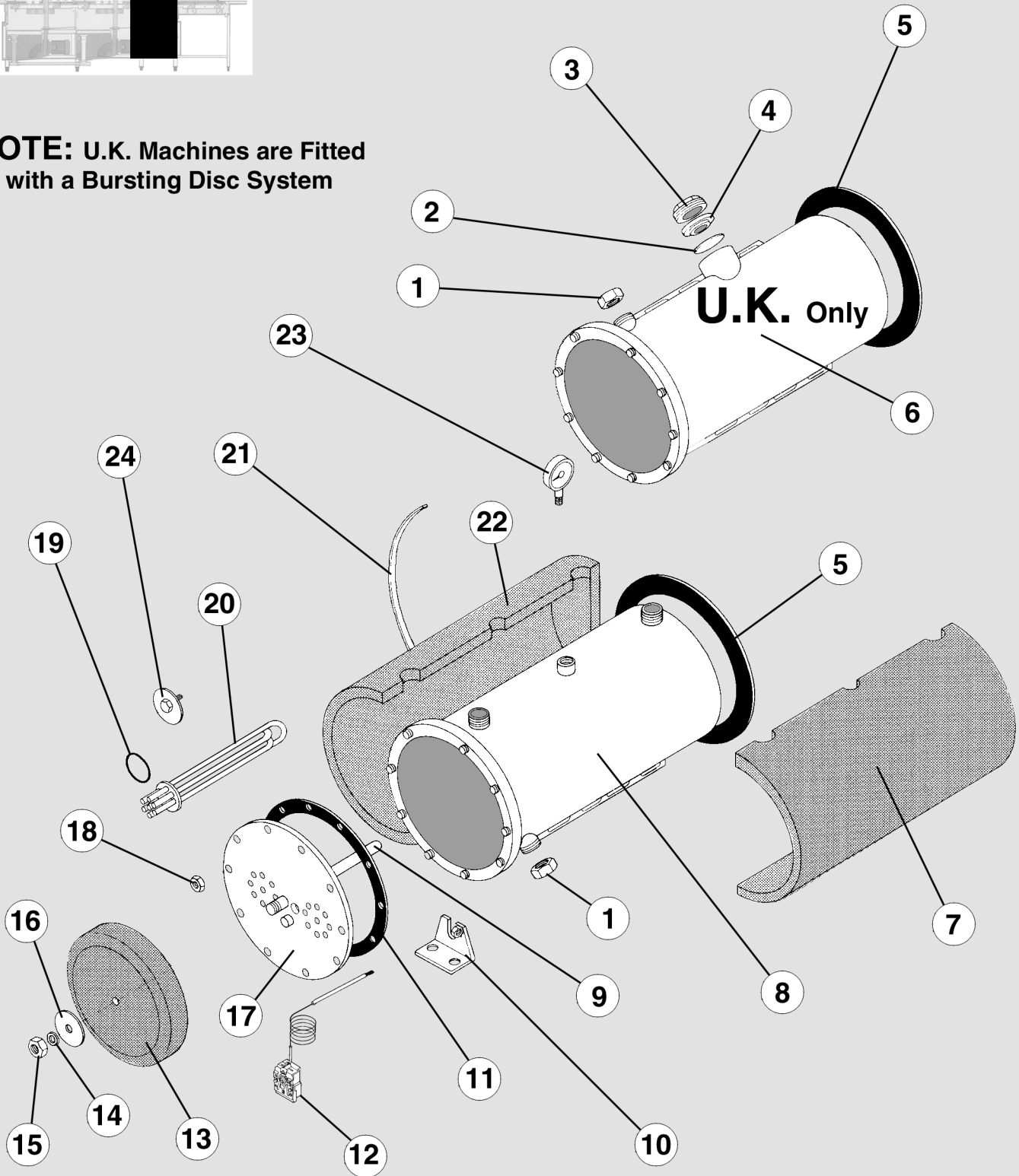
Fill Piping
Remplissage
Fülleitung

CX

Key No	Part No	Description
1	230895	Pipe
2	172739-2	Nut
3	300084-2	Washer
4	230769	Pipe
5	774625-1	Solenoid Valve Assy - 3/4"
6	168682-2	Line Strainer
7	602761	Nipple
8	168673-2	Shut Off Valve - 3/4"
9	603521	Nipple / Union - 3/4"
10	602402	Union - 3/4"
11	602407	Union Nut - 3/4"
12	231587	Pipe
13	168611-11	Gasket



NOTE: U.K. Machines are Fitted with a Bursting Disc System





Rinse Booster Heater Electric
Chaudière Électrique
Durchlauferhitzer Elektrisch

CX

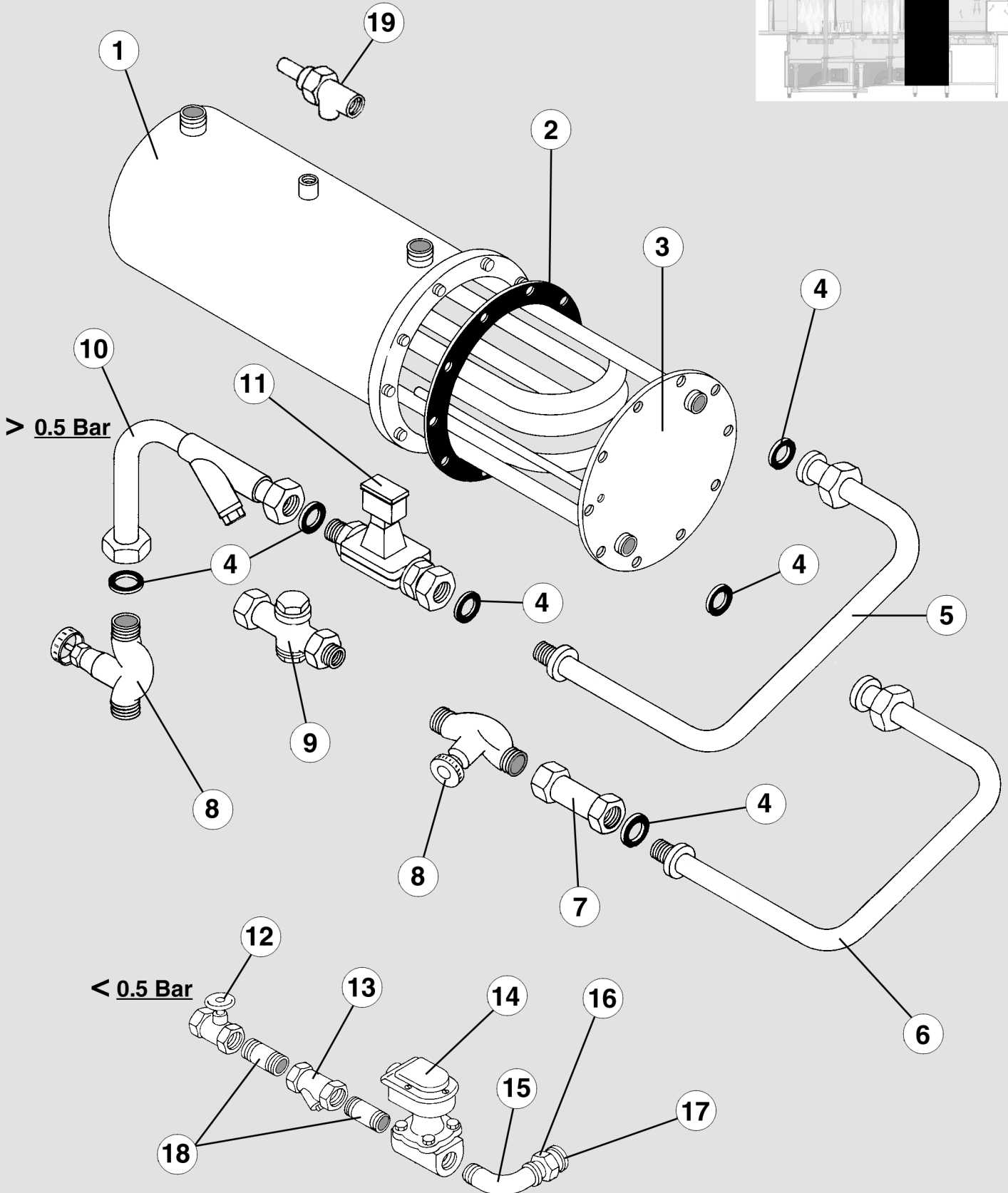
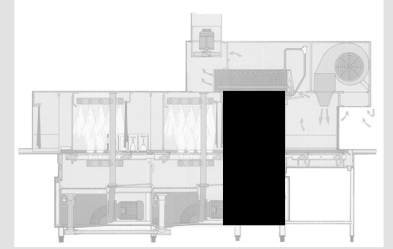
Key No	Part No	Description
1	602794	Nut
2	137146	Bursting Disc - 3Bar @ 100°C - Booster
3	230036	Nipple Disc - Booster
4	230035	Support Disc - Booster
5	229489	Gasket
6	230779	Cylinder - Booster - <u>U.K. ONLY</u>
7	231577	Insulation - Booster
8	230869	Cylinder - Booster - Export Only
9	378584	Probe / Thermister - PTC Resistor
10	230873	Bracket Assy
11	230994	Gasket (10 hole)
12	227879	High Limit Thermostat
13	229491	Lagging Jacket - Front
14	LWM-E-3-1	Lockwasher
15	NUM-E-3-2	Nut
16	228694-4	Cover
17	300692-1	Header Plate - 18kW (x2 Elements)
	300692-2	Header Plate - 27kW (x3 Elements)
	300692-3	Header Plate - 36kW (x4 Elements)
18	602492	Nut
19	67500-118	O-Ring - Elements & Blanking Plate
20	229148-2	Heating Element - 9kW 240/415 - <u>STD U.K.</u>
	229148-1	Heating Element - 9kW 220/380
	229148-3	Heating Element - 12kW 230
	229148-4	Heating Element - 12kW 240/415
	229148-5	Heating Element - 9kW 254
	229148-6	Heating Element - 12kW 254
	229148-8	Heating Element - 6kW 240/415
	229148-62	Heating Element - 9kW 230



Rinse Booster Heater Electric
Chaudière Électrique
Durchlauferhitzer Elektrisch

CX

Key No	Part No	Description
21	169139-3	Clamp
22	231578	Insulation
23	229583-1	Pressure Gauge
24	229585	Blanking Plate - Heater Elements

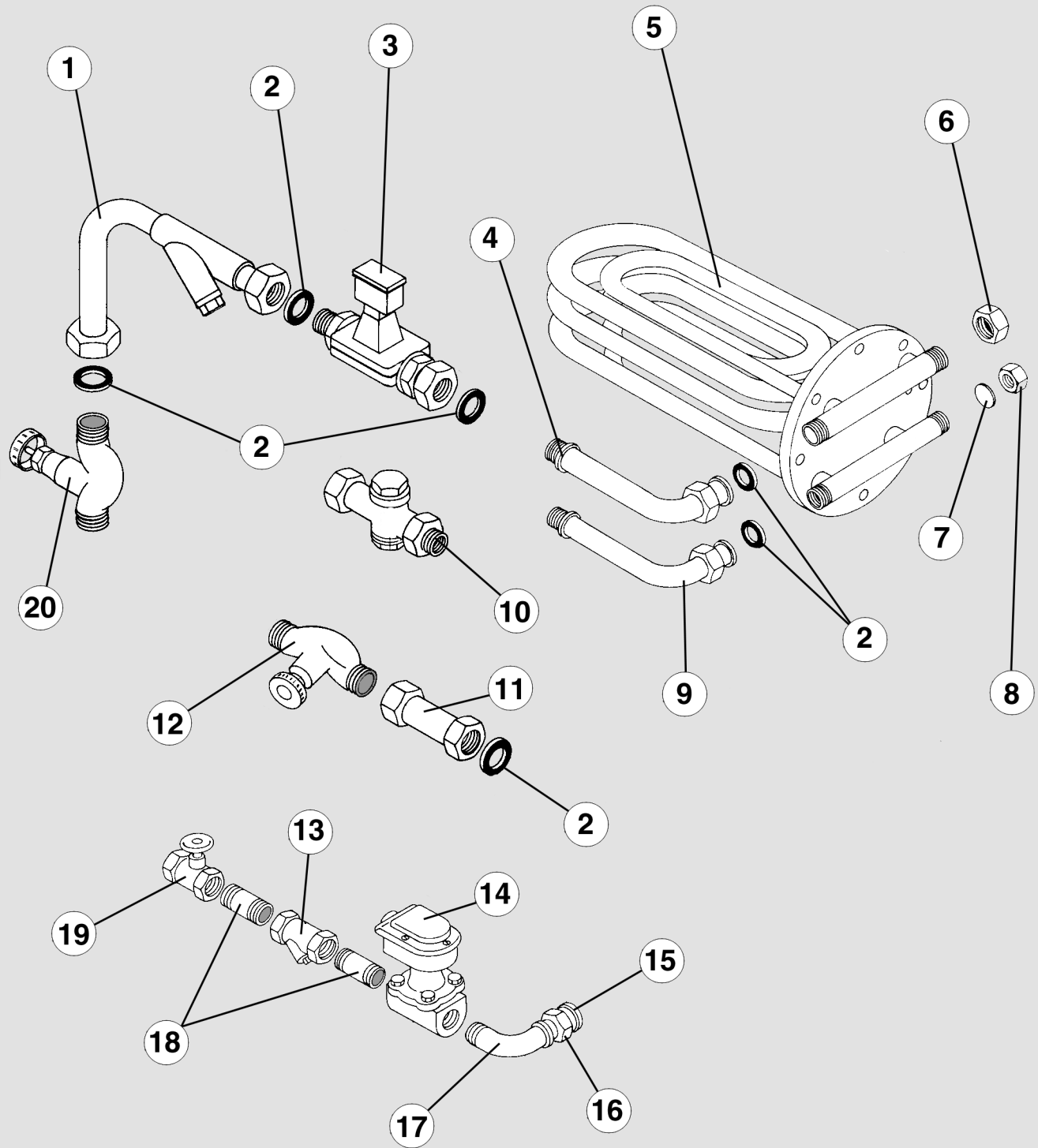
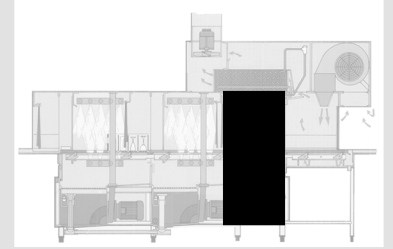




Rinse Booster Heater - Hot Water / Steam
Chaudière - eau Surchauffée / Vapeur 0.5m²
Durchlauferhitzer - Heißwasser / Dampf

CX

Key No	Part No	Description
1	230779 230869	Cylinder U.K Only Cylinder Export only
2	230994	Gasket
3	230979	Heating Coil 0.5m ²
4	168611-1	Gasket
5	229713-2	Pipe Assy
6	229713-1	Pipe Assy
7	229665	Nut & Tube Assy
8	165828-2	Inlet Valve Assy
9	168704	Steam Trap 3/4"
10	229664	Tube Assy
11	168785-2 168785-10	Solenoid Valve 3/4" Steam Solenoid Valve Kit
12	169757	Gate
13	168756-4	Line Strainer
14	774624-1 774624-11	Solenoid Valve 1/2" Solenoid Valve Kit
15	603023	Elbow
16	602338	Union
17	603364	Flange
18	603414	Nipple
19	229621-1	Safety Valve

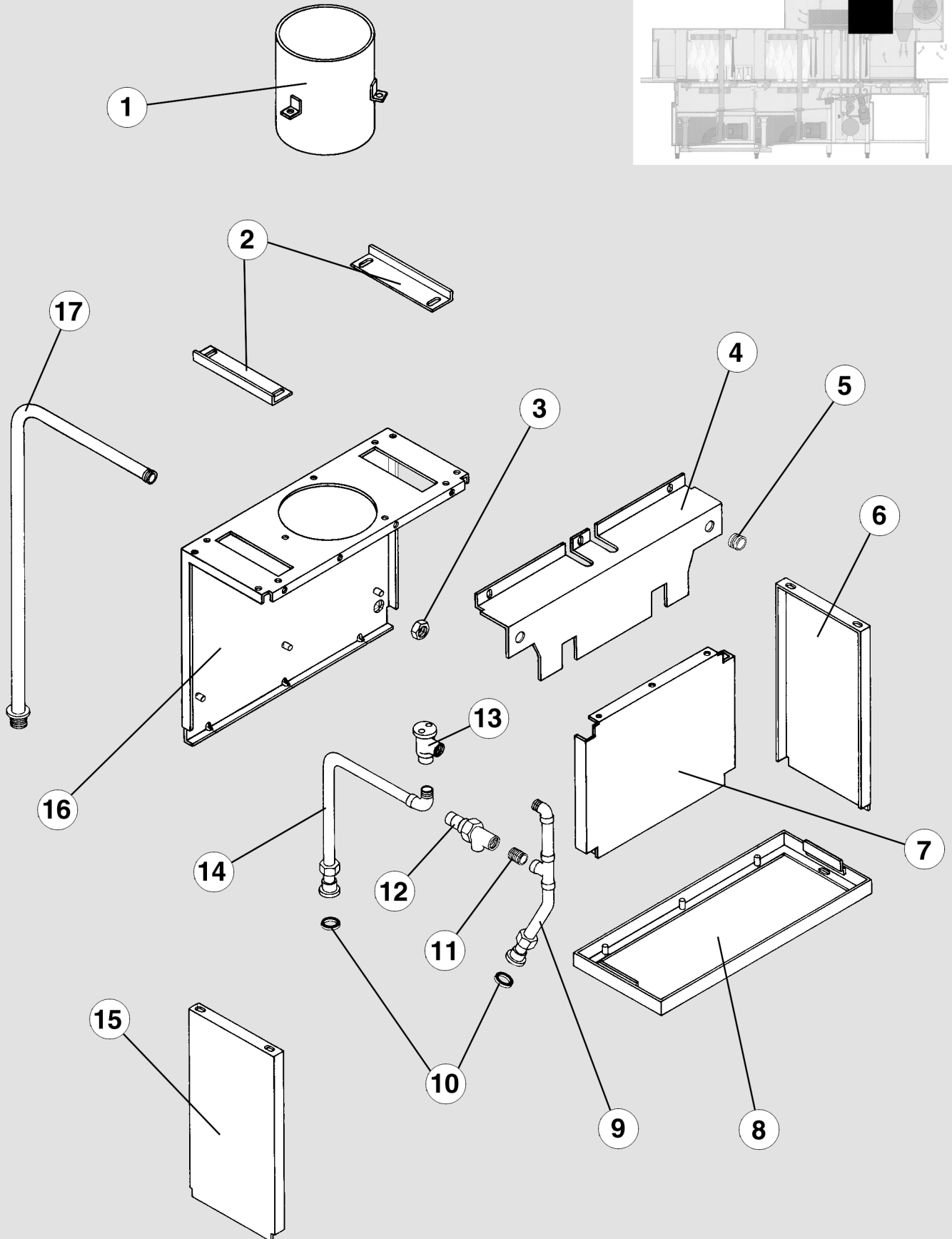




Rinse Booster Heater - Hot Water / Steam
Chaudière - eau Surchauffée / Vapeur 0.9m²
Durchlauferhitzer - Heißwasser / Dampf

CX

Key No	Part No	Description
1	229664	Tube Assy
2	168611-1	Gasket
3	168785-2 168785-10	Solenoid Valve 3/4" - Steam Solenoid Valve Kit
4	229725	Pipework Assy
5	230980	Heating Coil - 0.9m ²
6	300556	Cap
7	231598	Disc
8	168610-1	Union Nut
9	229726	Pipework
10	168704	Steam Trap - 3/4"
11	229665	Nut & Tube Assy
12	165828	Valve
13	168756-4	Line Strainer
14	774624-1 774624-11	Solenoid Valve Assy - 1/2" Solenoid Valve Kit
15	603364	Flange
16	602338	Union
17	603023	Elbow
18	603414	Nipple
19	169757	Gate

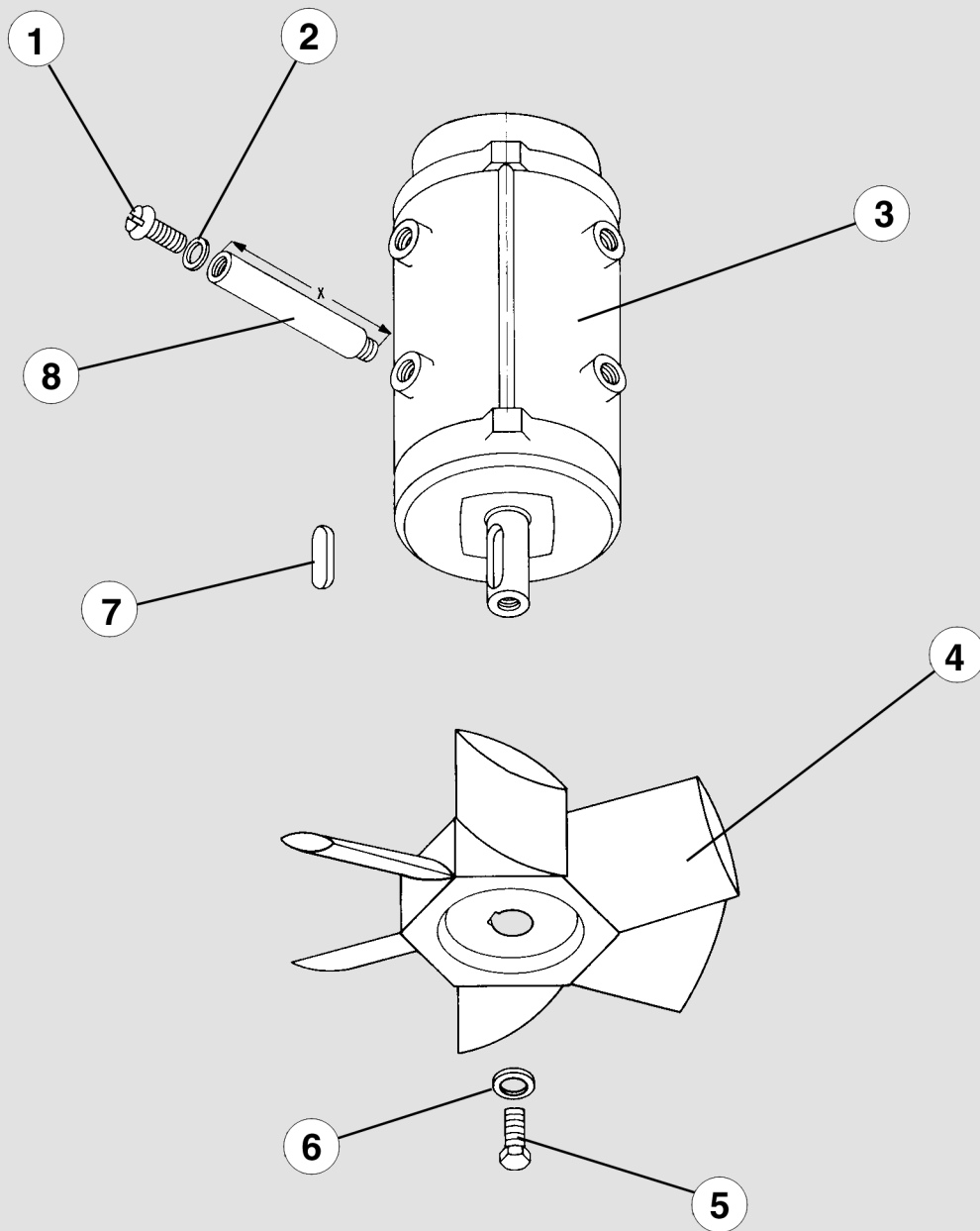
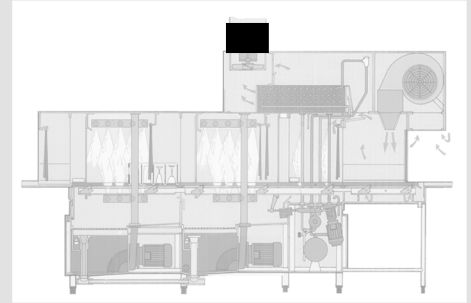




Vent Hood
Capot d'extraction
Absaughaube

CX

Key No	Part No	Description
1	231832	Tube Assy
2	231862	Bracket - Tube Assy
3	169045-1	Locknut
4	231837	Bracket
5	227748-1	Sleeve - Cable Protection
6	229440-7	Plate
7	230856	Plate
8	231794	Plate
9	230909	Pipe Assy
10	300084-2	Gasket - 24mm od - 17mm id
11	602061	Nipple
12	229621-1	Safety Valve
13	146669-1	Vacuum Breaker 1/2"
14	231580	Pipe Assy
15	229440-7	Plate
16	231836	Plate Assy
17	231830	Pipe Assy

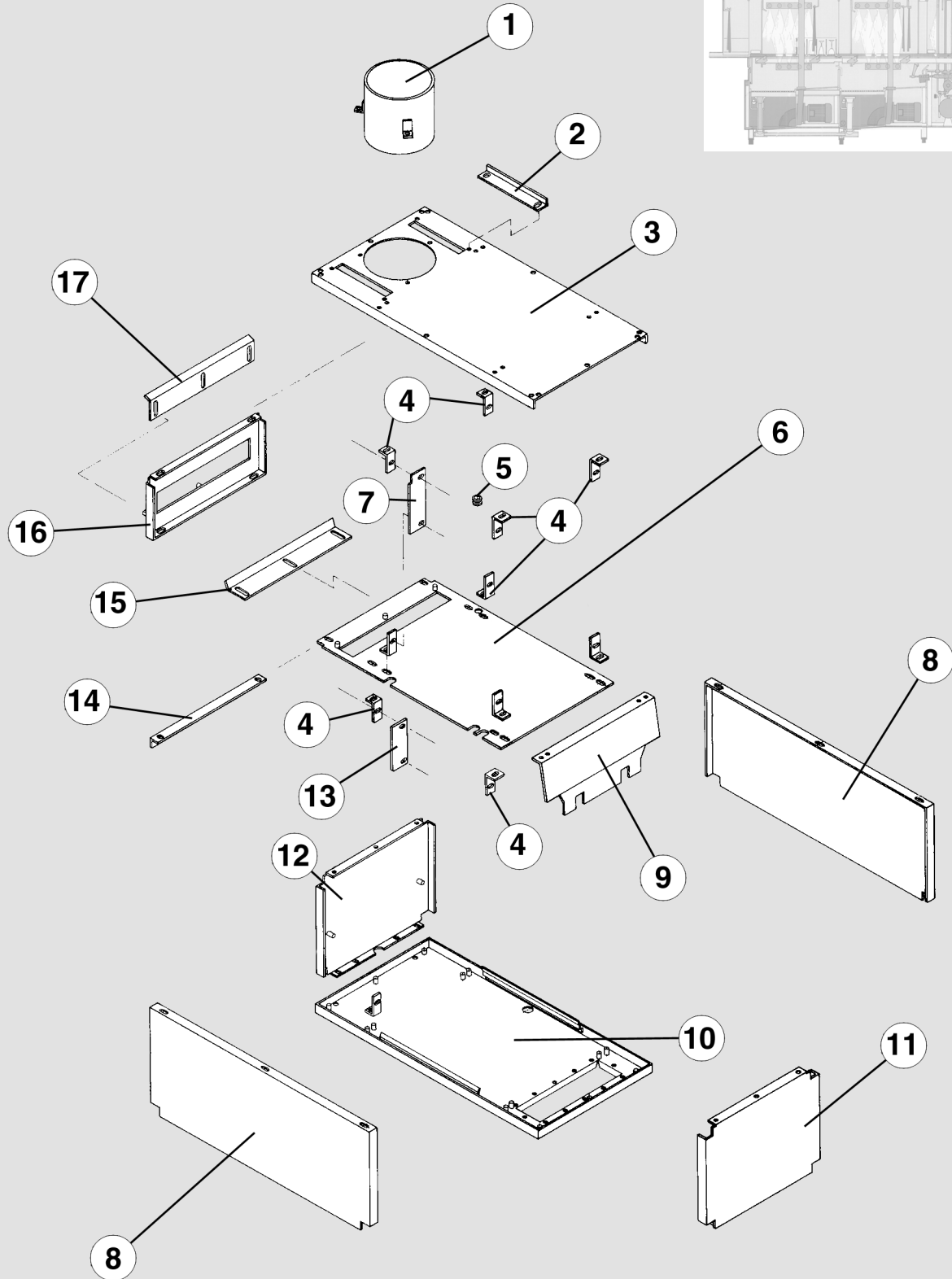




Exhaust Extraction - Fan
Extraction des Buées - Ventilateur
Wrasenabzug - Ventilator

CX

Key No	Part No	Description
1	602660	Screw M6
2	602286	Locksher
3	145075-6 145075-4	Motor - 240/415V - 50Hz - UK Motor - 480V - 60Hz - Export NOTE: Original Motor has been superseded.
4	38933-9 38933-2	Fan Blade 236mm - 50Hz Fan Blade 236mm - 60Hz
	38933-10 38933-11	Fan Blade 296mm - 50Hz Fan Blade 296mm - 60Hz
5	602570	Screw / Bolt
6	602286	Lockwasher
7	PK-E-2-38	Key
8	38934-1 38934-2	Stud - 62mm Stud - 94mm

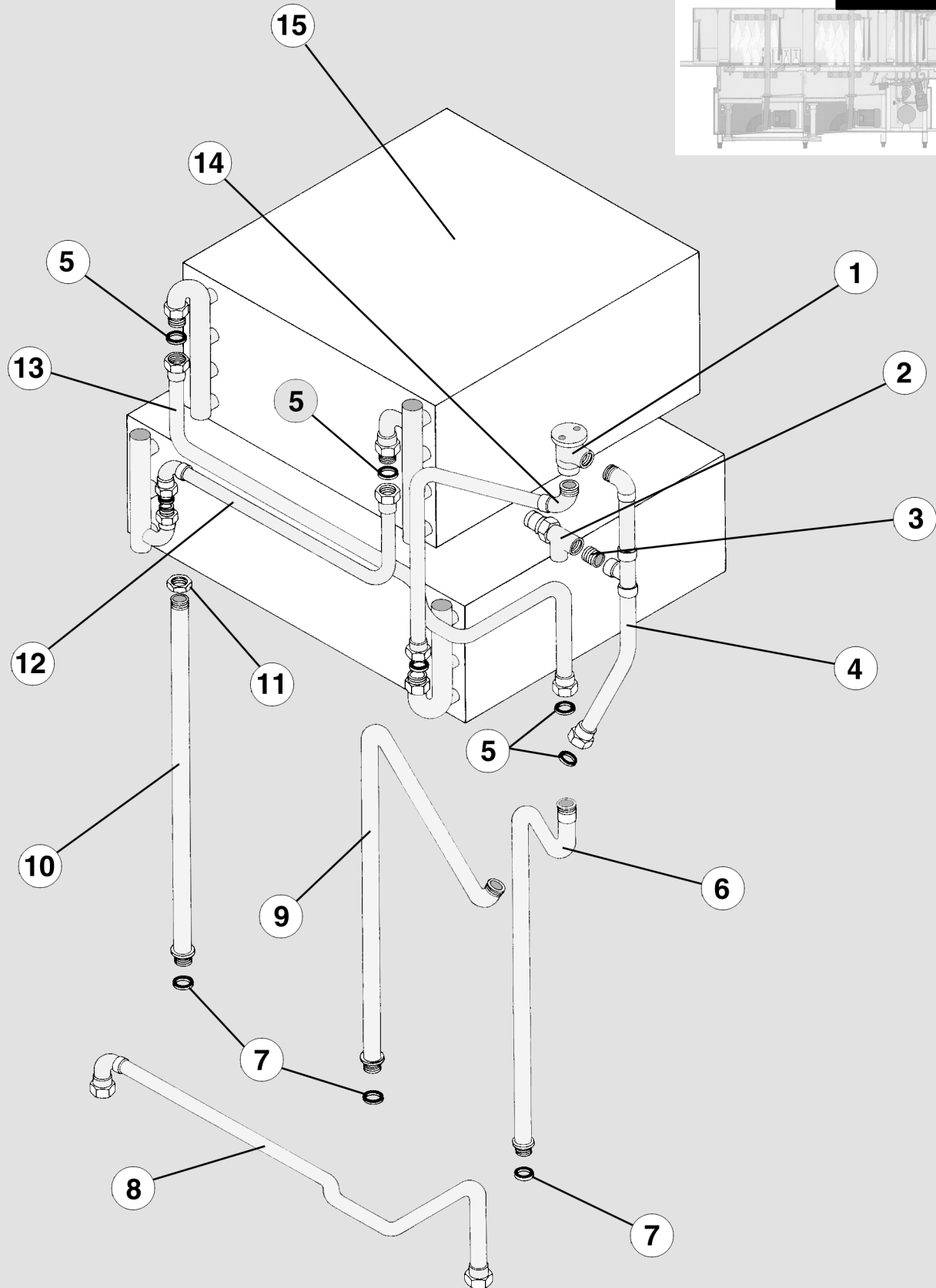




Condenser Housing
Condenseur Habillage
Kondensator Gehäuse

CX

Key No	Part No	Description
1	229438	Tube Assy
2	228336	Bracket
3	230854	Plate
4	229432	Bracket
5	227748-1	Sleeve - Cable Protection
6	231849	Plate Assy
7	230858-2	Bracket
8	229440-2	Panel
9	230956	Bracket
10	230851	Plate Assy
11	230856	Plate
12	231841	Plate Assy
13	230858-1	Bracket
14	231839	Bracket
15	230881	Panel
16	230963	Plate
17	230881	Panel

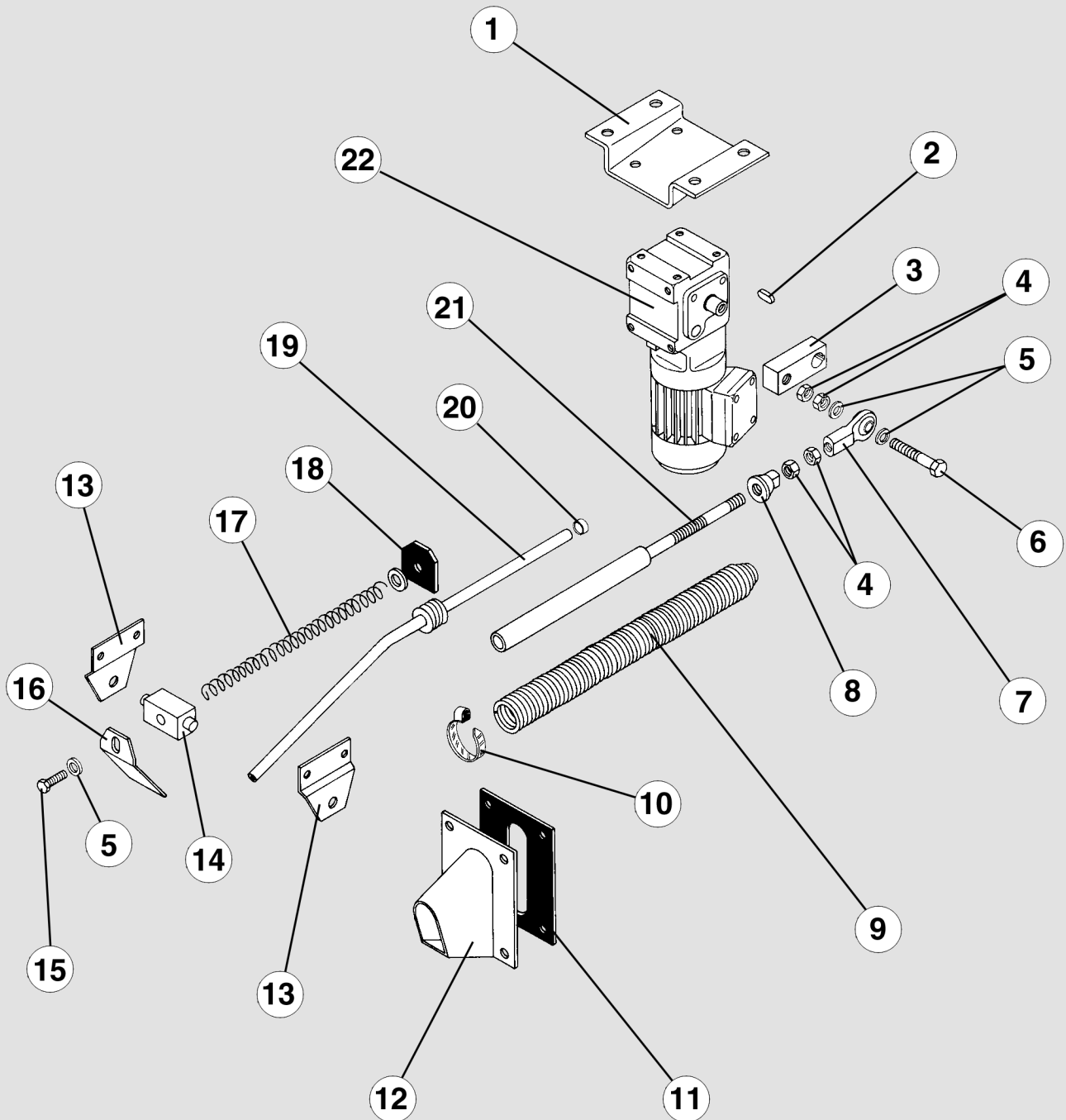
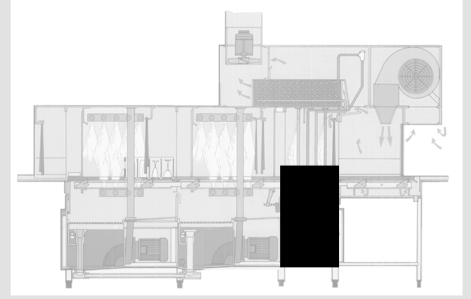




Condensers
Condenseurs
Kondensatoren

CX

Key No	Part No	Description
1	146669-1	Vaccum Breaker 1/2"
2	229621-1	Safty Valve
3	602760	Nipple
4	230909	Pipe Assy
5	300084-2	Washer
6	230843-2	Pipe Assy
7	168611-11	Gasket
8	230906-1 230906-2	Pipe Assy - C5 - L/R Pipe Assy - C5 - R/L
9	230843-1	Pipe Assy
10	230891	Pipe Assy
11	169045-1	Locknut
12	230908	Pipe Assy
13	230903-1 230903-2	Pipe Assy - C6 - L/R Pipe Assy - C6 - R/L
14	230907	Pipe Assy
15	229377-1	Chamber

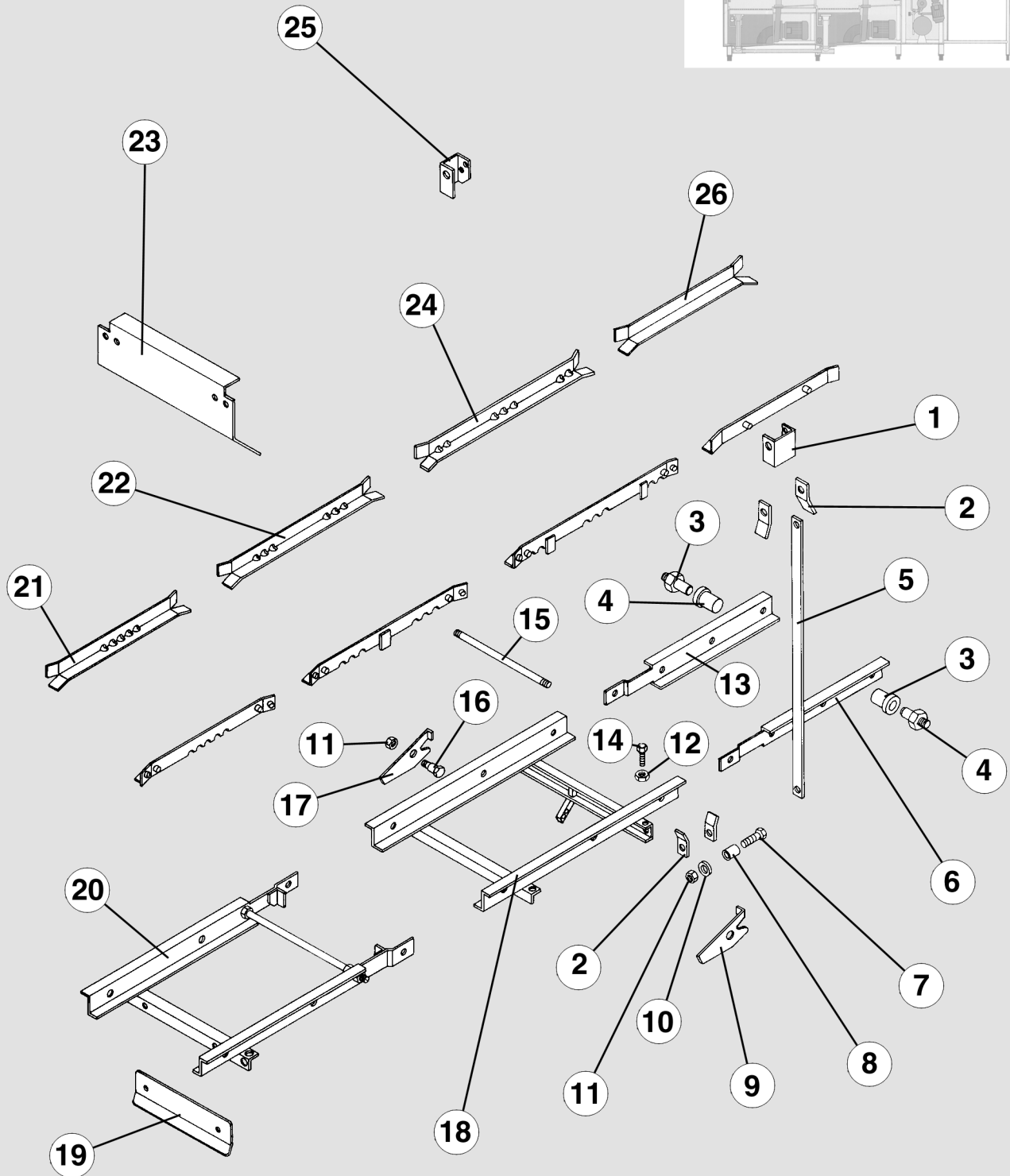
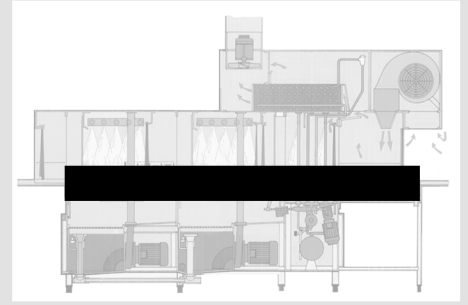




Drive Unit
Entrainement
Antrieb

CX

Key No	Part No	Description
1	230890	Bracket
2	PK-E-2-43	Key
3	230827	Block
4	602492	Nut M8
5	602287	Washer 8.4mm
6	SCM-E-17-5	Bolt M12
7	232815-1	Joint - Ball & Socket
8	230830	Nut - Special
9	231682 230741	Spring - 135mm Spring - 155mm
10	166513-5	Hose Clip
11	230900	Gasket Seal
12	230897	Cowling
13	150589	Plate
14	230829	Block
15	602575	Screw M8 x 12
16	230824	Adjusting Plate
17	227873-8	Spring
18	231607	Gasket
19	231749	Link Rod
20	232588-6	Plug
21	230819	Guide Assy
22	230967-1	Motor & Gearbox - 90 racks/hour
	230967-3	Motor & Gearbox - 150 racks/hour
	230967-5	Motor & Gearbox - 220 racks/hour
NB.....	230967-29	Two Speed Conveyor Motor





Conveyor & Tracks
Berceauch & Rails
Schwingrahmen & Laufschienen

CX

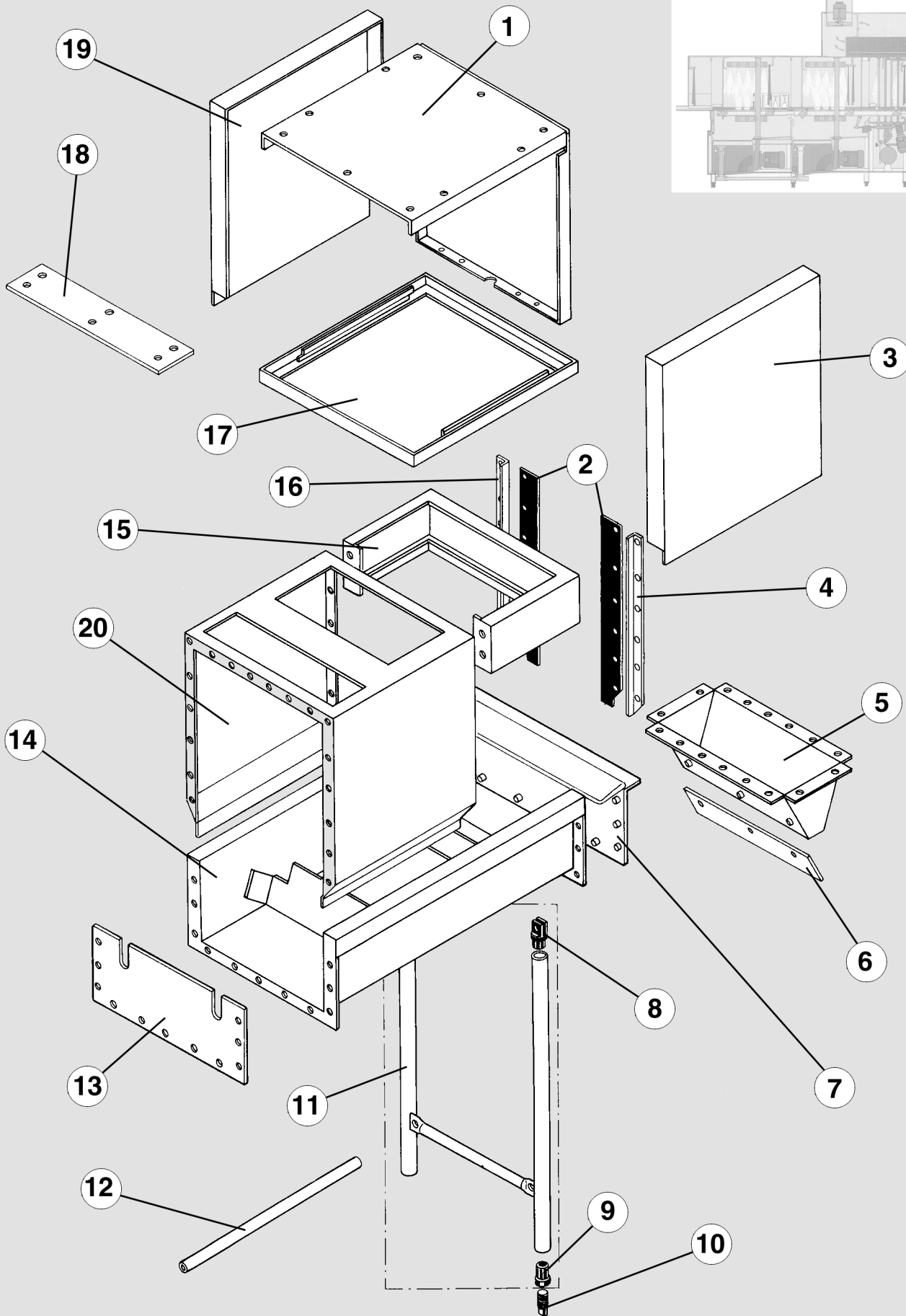
Key No	Part No	Description
1	230884-1	Bracket
2	11545	Support Suspension Strip
3	168827	Roller
4	230780	Nut - Special
5	11564-98	Strip - Cradle Suspension
6	230886-9	Rail R/H
	150721-2	Rail R/H - 400mm
	150721-4	Rail R/H - 600mm
	150721-6	Rail R/H - 800mm
7	SCM-E-14-35	Screw
8	65706	Spacer
9	231547	Dog
10	602287	Washer
11	602492	Nut
12	NUM-E-3-2	Nut
13	230886-10	Rail
	150721-1	Rail L/H - 400mm
	150721-3	Rail L/H - 600mm
	150721-5	Rail L/H - 800mm
14	602570	Screw
15	230889	Rod
16	231525	Special Screw
17	231548	Dog
18	230887	Runner
19	231840	Baffle Plate
20	230888-1	Runner - 965mm
	230888-2	Runner - 665mm



Conveyor & Tracks
Berceauch & Rails
Schwingrahmen & Laufschiene

CX

Key No	Part No	Description
21	231521	Bracket
22	231567	Bracket
23	230883	Bracket
24	231520	Bracket
25	230884-2	Bracket
26	231817-3	Bracket
	150723-1	400mm
	150723-2	600mm
	150723-3	800mm

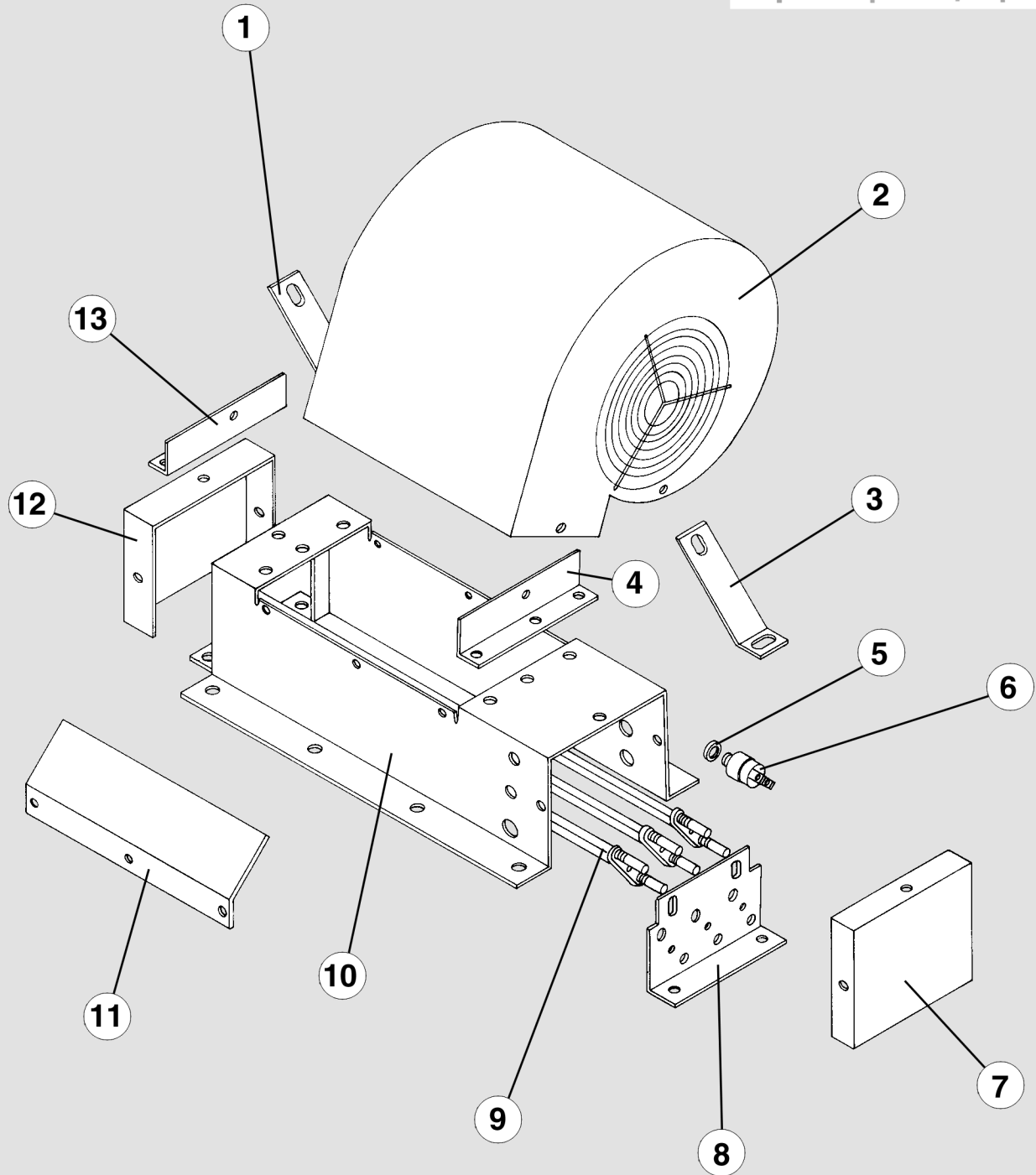
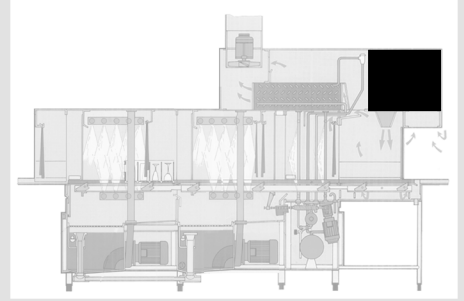




Drier Section
Zone de Séchage
Trockenzone

CX

Key No	Part No	Description
1	230861	Plate
2	230970	Spray Guard
3	229440-4	Plate
4	230969-1	Bracket
5	230864	Vent
6	231711	Gasket
7	230933-1	Plate Assy
8	144636-2	Water Inlet Hose 3/4 BSP
9	166067-2	Thread Insert
10	166066-2	Foot - Adjustable
11	227156	Pipe / Leg
12	227170-12	Pipe / Cross
13	230917	Bracket
14	231815-3	Chamber
15	230863	Bracket
16	230969-2	Bracket
17	230859	Plate
18	231599	Bracket
19	229440-4	Panel
20	230912-1	Chamber - Electrical Heated
	230912-2	Chamber - Steam or Hot Water Heated

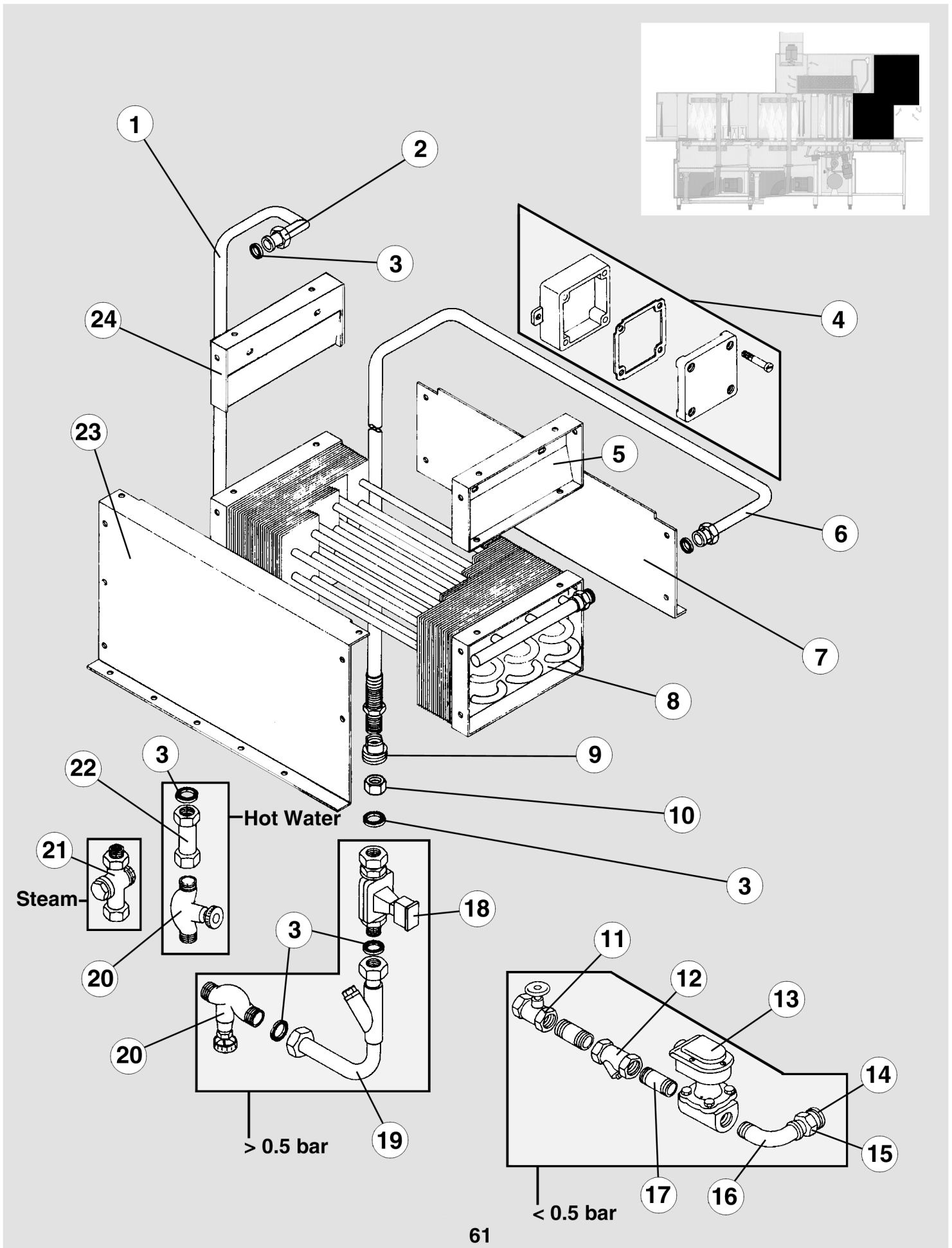




Blower Electric
Soufflage Électrique
Trocknungsgebläse Elektrisch

CX

Key No	Part No	Description
1	230868-2	Bracket
2	229554-1 303727-1 303727-2	Blower - Radial 380/415V Rubber Bearing Insert / Bush
3	230868-1	Bracket
4	229534	Bracket
5	602501	Nut M5
6	227743-3	Thermostat
7	229266	Panel
8	229265	Plate - Dement
9	229189-1 229189-2 229189-3	Element 220V Element 240V - STD U.K. Element 254V
10	229256	Housing
11	229535	Bracket
12	229266	Panel
13	229534	Bracket





Blower Steam & Hot Water D5
Soufflage Vapeur & eau Surchauffée D5
Trocknungsgebläse Dampf & Heißwasser D5

CX

Key No	Part No	Description
1	230998 231596	Pipework L/R Pipework R/L
2	168610-1	Union Nut 1.1/8" BSP
3	168611-1	Gasket
4	232633	Box
5	229758	Panel
6	230997 230999	Tube Assy L/R Tube Assy R/L
7	229755	Panel
8	229742	Battery
9	230996	Flange
10	172739-2	Nut
11	169757	Gate
12	168756-4	Line Strainer
13	774624-1 774624-11	Solenoid Valve - 1/2" Service Kit
14	603364	Flange
15	602338	Union
16	603023	Elbow
17	603414	Nipple
18	168785-2 168785-10	Solenoid Valve 3/4" - Steam Service Kit
19	229664	Tube Assy
20	165828-2	Inlet Valve Assy
21	168704	Steam Trap
22	229665	Nut & Tube Assy

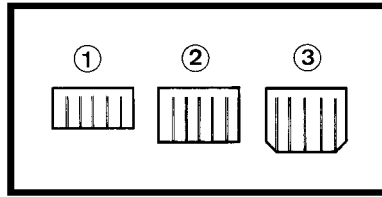
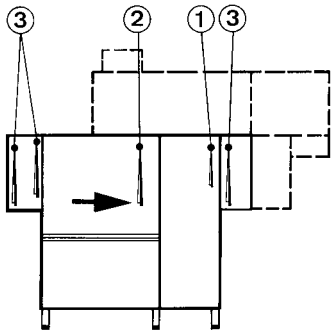


Blower Steam & Hot Water D5
Soufflage Vapeur & eau Surchauffée D5
Trocknungsgebläse Dampf & Heißwasser D5

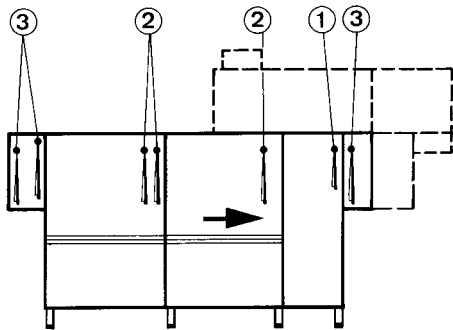
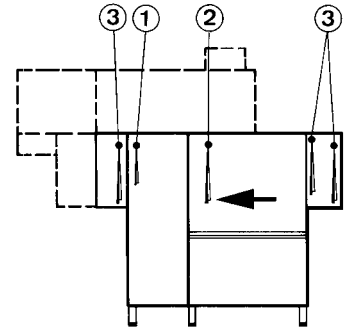
CX

Key No	Part No	Description
23	229756	Panel Assy
24	229758	Panel Assy

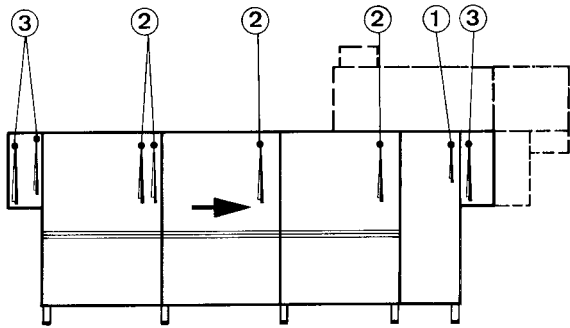
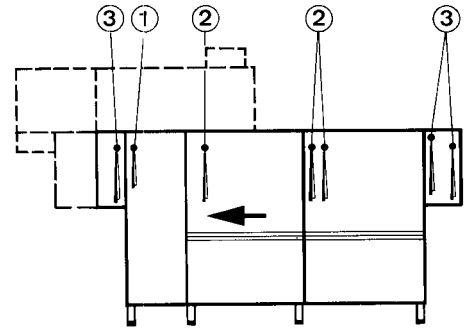
Position of Curtains



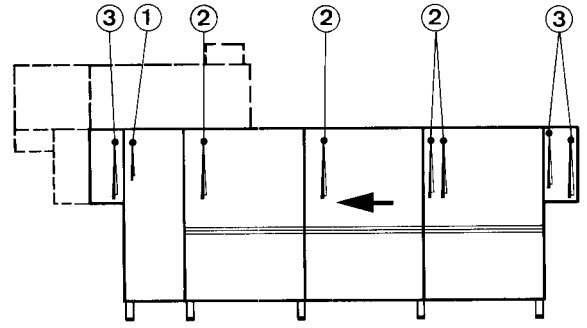
CX - A



CX - LA
CX - SA



CX - LB
CX - SB



Key No	Part No	Description
1	231602-2 231540-3	Curtain Rod
2	231602-1 231540-2	Curtain Rod
3	230781 231540-1	Curtain Rod

As continued product improvement is a policy of HOBART, specifications are subject to change without notice.

Ce catalogue n'est pas contractuel. HOBART se réserve le droit, et sans préavis, d'apporter toutes modifications ou améliorations à ses matériels.

HOBART behält sich das Recht vor, an allen Produkten technische Änderungen und Verbesserungen ohne Ankündigung vorzunehmen.

Voortdurende produktverbetering vormt een wezenlijk onderdeel van het beleid van HOBART. Specificaties kunnen zonder kennisgeving gewijzigd worden.