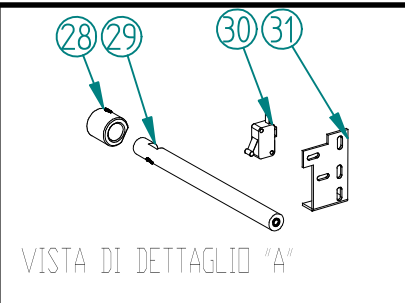


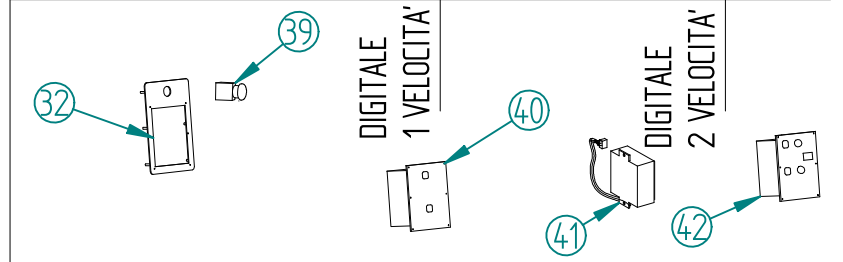
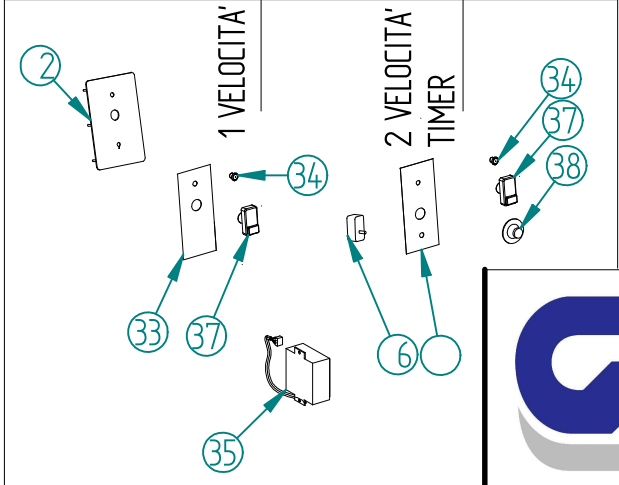
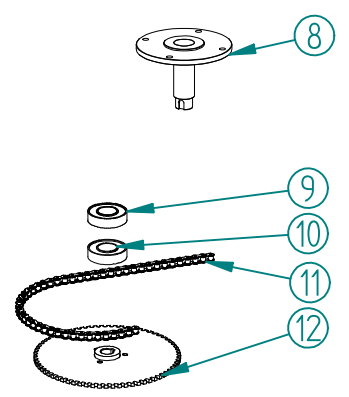
VEDI DETTAGLIO A



only 40/50 model

VERSIONE ANALOGICA/ANALOGIC VERSION

VERSIONE DIGITALE/DIGITAL VERSION



I OLO IMPAS A RICE S 30/40/50	
CODICE:	
DISEGNATO: D.G	DATA:

UMERO	CODICE	DESCRIZ ONE	UA TITA'
1	RG100791	PIGNONE SPIRALE Z16x1/2 foro 20	1
2	RG101182	CUSCI ETTO 6204 2RS S30/40	2
2	RG100876	CUSCI ETTO 6205 2RS S50	2
3	RG102043	SUPPORTO UNIV. GHISA D120 TS/TSV 30/40	1
3	RG101525	SUPPORTO UNIVERSALE TS/TSV 50	1
4	RG101504	LAMIERA SPIR. COPRIASOLE IMP S/TS 30/40/	1
5	RG101261	ASTA SPACCAPASTA IMP S/L/TS 30/40/50	1
6	RG102337	SPIRALE IMPASTATRICE S/TS 30/40	1
6	RG100938	SPIRALE IMPASTATRICE S/TS 50	1
7	RG100832	VASCA IMPASTATRICE S/L30 400X260	1
7	RG100929	VASCA IMPASTATRICE S/L40 450X260	1
7	RG100944	VASCA IMPASTATRICE S/L50 450X300	1
8	G1002811	PIASTRA SUPP. VASCA S/L UNIVERSALE	1
8	RG100936	PIASTRA SUPP. VASCA S/L 50	1
9	RG100829	CUSCI ETTO 6206 2RS	1
10	RG100823	CUSCI ETTO 6206 ZZ	1
11	RG103093	CATENA VASCA 30/40/50 3/8 131 P. FM+G	1
12	RG103099	MOZZO+CORONA ALBERO VASCA Z75 3/8 (50)	1
12	RG103077	MOZZO SVAS.+CORONA ALB. VASCA Z75 x 3/8	1
13	RG102718	COPERCHIO FILO IMP S/TS 30	1
13	RG102717	COPERCHIO FILO IMP S/TS 40/50	1
14	RG103086	CHIUSURA TESTATA IMP. S30/40/50 CON LOGO	1
15	RG102452	ECCENTRICO PER COPERCHIO IMP. C/S	2
16	RG100798	PROTEZIONE LATERALE PLX S30	1
16	RG100921	PROTEZIONE LATERALE PLX S40	1
16	RG100940	PROTEZIONE LATERALE PLX S50-SX60	1
17	RG100828	PIEDINO N PLASTICA D25	4
18	RG102873	CARPENTERIA IMP S30/40/50 modello 2008	1
19	RG102864	FONDELLO BASAMENTO S/TS 30/40/50	1
20	RG102863	CHIUSURA POSTERIORE IMP. C/S 30/40/50	1
21	RG100038	PRESSACAVO M20x1,5	1
21	RG100830	GHIERA PER PRESSACAVO M20X1,5	1
22	RG100911	MOTORE M90 MN 230V B14 kW 1,1	1
22	RG100901	MOTORE M80 TR 400V B14 kW 1,1	1
22	RG100906	MOTORE M90 TR 400V B14 kW 1,7/1,3	1
22	RG102046	MOTORE M90 MN 230V B14 kW 1,5	1
22	RG100933	MOTORE M90 TR 400V B14 kW 1,5	1
22	RG102631	MOTORE M90 TR 400V B14 kW 1,5/2,2 2/4P	1
23	RG100902	ASS. RIDUTTORE NMRV 050+FLANGIA FA(80B14	1
23	RG100907	ASS. RIDUTTORE NMRV 063+FLANGIA FA(90B14	1
24	RGA00461	ASS. ALBERO GEN. IMP 30/40/50 (Z14 x 3/8	1
25	RG100831	SUPPORTO UCF 205 D. 25	1
26	RG101012	PIGNONE SUP. ALBERO GEN. Z31x1/2 foro 25	1
27	RG101142	CATENA SPIRALE S30 1/2 67,5 P.+ G.	1
27	RG101150	CATENA SPIRALE S/L 16/40/50 1/2 63,5 P+G	1
28	RG100796	CAMME DI REGOLAZIONE COPERCHIO S	1
29	RG100797	ASTA COPERCHIO IMP S30/40/50	1
30	RG100198	MICROINTERRUTTORE DI SICUREZZA	1
31	RG100855	SUPPORTO MICRO IMPASTATRICE S	1
32	RG103214	MOSTRINA A VISTA CENTRALINA IMP UNIVERS.	1
32	RG103215	MOSTRINA A VISTA CON INTER. IMP UNIVERS.	1
33	RG100827	MOSTRINA ADESIVA 2 FORI	1
33	RG101097	MOSTRINA ADESIVA 3 FORI	1
34	RG100895	SEGNALATORE LUMINOSO	1
35	RG100897	CENTRALINA MN PER IMPASTATRICE	1
35	RG100890	CENTRALINA TR PER IMPASTATRICE	1
35	RG100896	CENTRALINA TR IMPASTATRICE 2 VEL.	1
36	RG100833	TEMPOR ZZATORE G30M 2C 5025	1
37	RG100894	PULSANTE DOPPIO ON/OFF CON CONTATTI	1
37	RG102846	PULSANTE 2 VEL (1/OFF/2)	1
38	RG100834+RG100835	MANOPOLA M55B 6X4,6 X TIMER IMPA+DISCO MANOPOLA 30 M N	1
39	RG101872	FUNGO EMERGENZA DI SICUREZZA	1
40	RGA00469	ASS. CENTRALINA MN IMP. S DIGITALE	1
40	RGA00470	ASS. CENTRALINA TR IMP. S DIGITALE+TIMER	1
41	RG108449	CENTRALINA TR 2 V PER CENTRALINA DIG.	1
42	RG108450	PULSANTIERA DIGITALE 2 V	1
43	RG102856	MOLLA PER TENDICATENA IMP SX 30/40/50/60	1
44	RGA00421	ASS. TENDICATENA IMP 40/50	1

UMBER	CO E	ESCRIP ION	QUAN ITY
1	RG100791	Spiral tooth gear Z16x1/2 foro 20	1
2	RG101182	Bearing 6204 2RS	2
2	RG100876	Bearing 6205 2RS	2
3	RG102043	Universal cast iron mounting D120 for dough mixers TS/TSV 30/40	1
3	RG101525	Universal mounting for dough mixer TS/TSV 50	1
4	RG101504	Covering buttonholes sheet for dough mixer S/TS 30/40/	1
5	RG101261	Dough breaker IMP S/L/TS 30/40/50	1
6	RG102337	Spiral S/TS 30/40	1
6	RG100938	Spiral S/TS 50	1
7	RG100832	Bowl S/L30 400X260	1
7	RG100929	Bowl S/L40 450X260	1
7	RG100944	Bowl S/L50 450X300	1
8	G1002811	Universal mounting plate for bowl S/L	1
8	RG100936	Mounting plate for bowl S/L 50	1
9	RG100829	Bearing 6206 2RS	1
10	RG100823	Bearing 6206 ZZ	1
11	RG103093	Bowl chain 30/40/50 3/8 131 P. FM+G	1
12	RG103099	Hub+ Gear rim Z75 x 3/8 (50)	1
12	RG103077	Hub+ Gear rim Z75 x 3/8 (30/40)	1
13	RG102718	Lid Dough Mixer S/TS 30	1
13	RG102717	Lid dough mixer S/TS 40/50	1
14	RG103086	Upper plate for dough mixer. S30/40/50 with LOGO	1
15	RG102452	Eccentry pulley for lid for dough mixer C/S	2
16	RG100798	Side plate PLX S30	1
16	RG100921	Side plate PLX S40	1
16	RG100940	Side plate PLX S50-SX60	1
17	RG100828	Plastic foot D25	4
18	RG102873	Frame dough mixer IMP S30/40/50 model 2008	1
19	RG102864	Bottom plate for dough mixer S/TS 30/40/50	1
20	RG102863	Rear plate for dough mixer C/S 30/40/50	1
21	RG100038	Cable holder M20x1,5	1
21	RG100830	Cable holder bracer M20X1,5	1
22	RG100911	Engine M90 MN 230V B14 kW 1,1	1
22	RG100901	Engine M80 TR 400V B14 kW 1,1	1
22	RG100906	Engine M90 TR 400V B14 kW 1,7/1,3	1
22	RG102046	Engine M90 MN 230V B14 kW 1,5	1
22	RG100933	Engine M90 TR 400V B14 kW 1,5	1
22	RG102631	Engine M90 TR 400V B14 kW 1,5/2,2 2/4P	1
23	RG100902	Assembly reducer NMRV 050+flange FA(80B14	1
23	RG100907	Assembly reducer NMRV 063+flange FA(90B14	1
24	RGA00461	Lower drive shaft for dough mixer 30/40/50 (Z14 x 3/8	1
25	RG100831	Mounting UCF 205 D. 25	1
26	RG101012	Universal upper tooth gear Z31x1/2 hole 25	1
27	RG101142	Spiral chain S30 1/2 67,5 P. + G.	1
27	RG101150	Spiral chain S/L 16/40/50 1/2 63,5 P+G	1
28	RG100796	Lid regulation cam for dough mixer S	1
29	RG100797	Pin for dough mixer S30/40/50 lid	1
30	RG100198	Safety microswitch	1
31	RG100855	Micro mounting foot for dough mixer S	1
32	RG103214	Universal cover for digital dough mixer	1
32	RG103215	Universal cover for analogic dough mixer	1
33	RG100827	Adhesive tab 2 holes	1
33	RG101097	Adhesive tab 3 holes	1
34	RG100895	Bright indicator	1
35	RG100897	Control unit single phase	1
35	RG100890	Control unit threephase	1
35	RG100896	Control unit threephase 2 speed	1
36	RG100833	Timer G30M 2C 5025	1
37	RG100894	Push button on/off and contacts	1
37	RG102846	Push button 2 speed (1/OFF/2)	1
38	RG100834+RG100835	Timer knob M55B 6X4,6 X + knob disc 30 MI	1
39	RG101872	Emergency safety switch	1
40	RGA00469	Assembly control unit dough mixer S digital single phase	1
40	RGA00470	Assembly control unit dough mixer S digital three phase + timer	1
41	RG108449	Control unit threephase 2 speed for digital	1
42	RG108450	Digital button box 2 speed	1
43	RG102856	Chain tensioning spring for dough mixer SX 30/40/50/60	1
44	RGA00421	Chain tensioning assembly for dough mixer 40/50	1