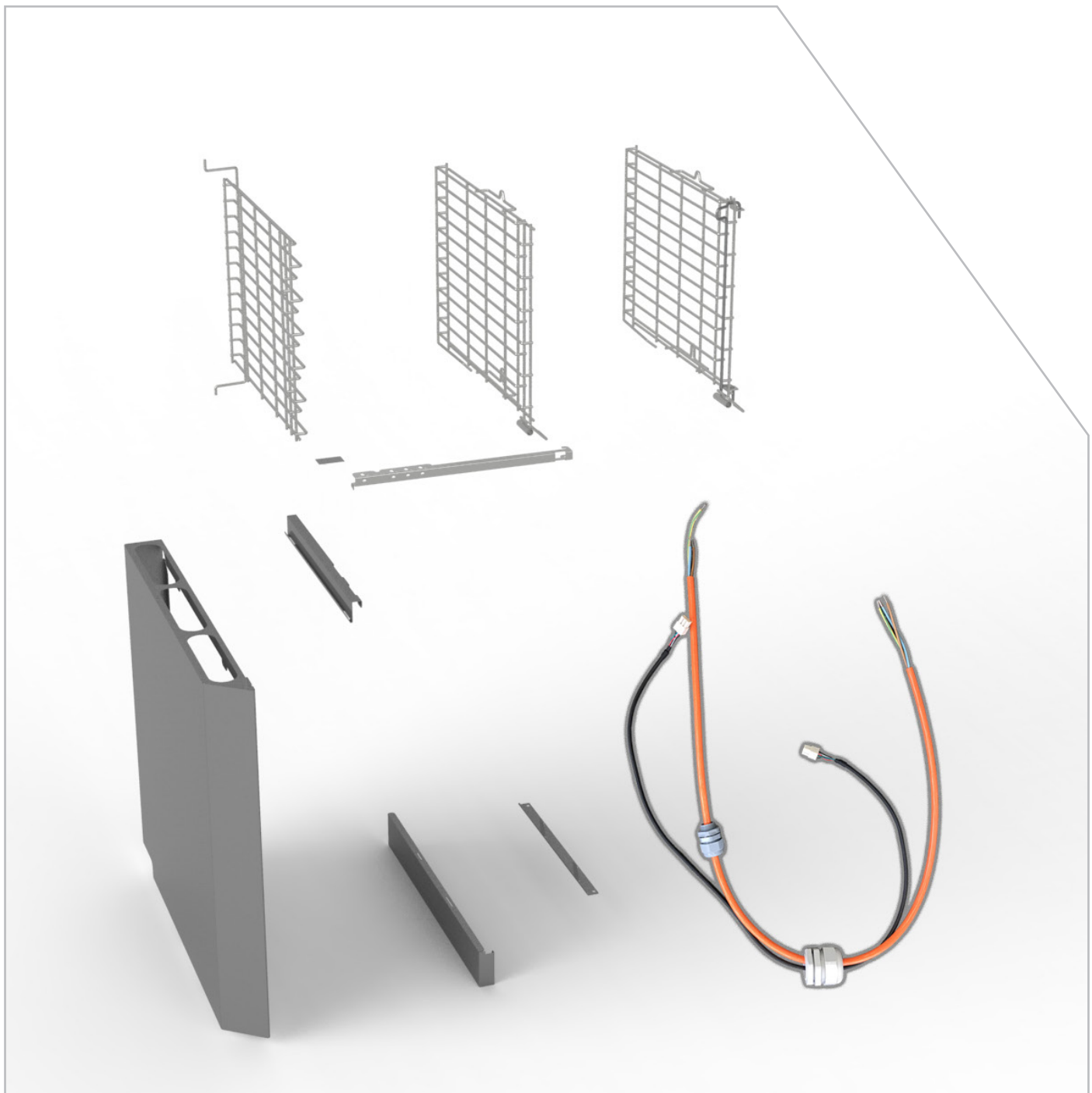


SelfCookingCenter® XS (6 2/3)
CombiMaster® Plus XS (6 2/3)

Service parts of accessories



List of content

List of content	2
Hinging racks	3
CombiDuo	4
CombiDuo ship	5
VarioSmoker	6
UltraVent XS	7
UltraVent XS combination unit*	8
UltraVent Plus XS	9
UltraVent Plus XS combination unit*	10
UltraVent Plus XS combination unit*	11
Integration Kit	12
Integration Kit Plus	13
Integration Kit Plus	14
Heat shield	15
Stand XS / Condensationbreaker	16
Door fixing mechanism XS	17
Mounting material	18
Ship	19

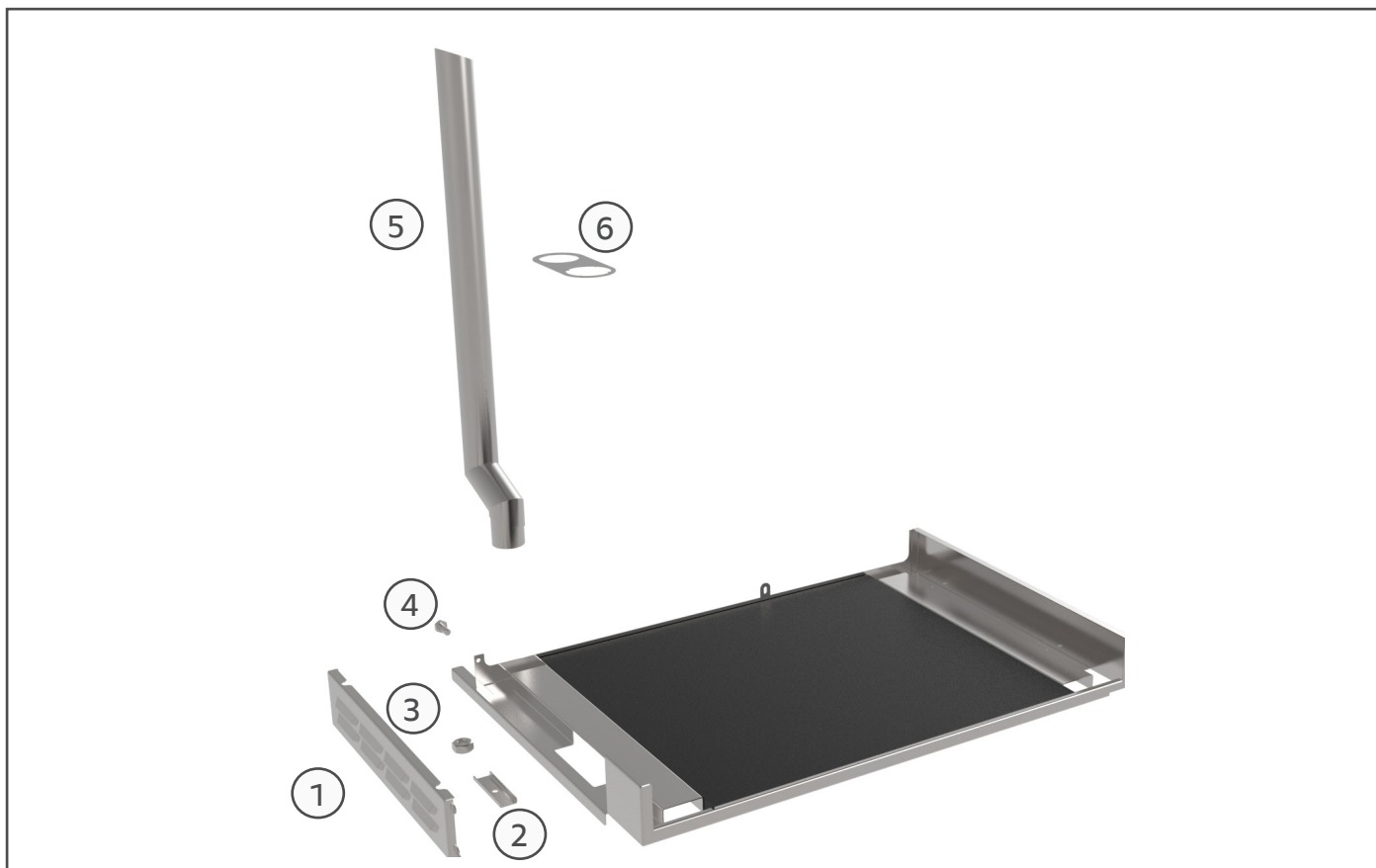
Introduction

The mentioned parts in this catalogue are service parts as well as accessories.

Due to this fact the following must be observed:

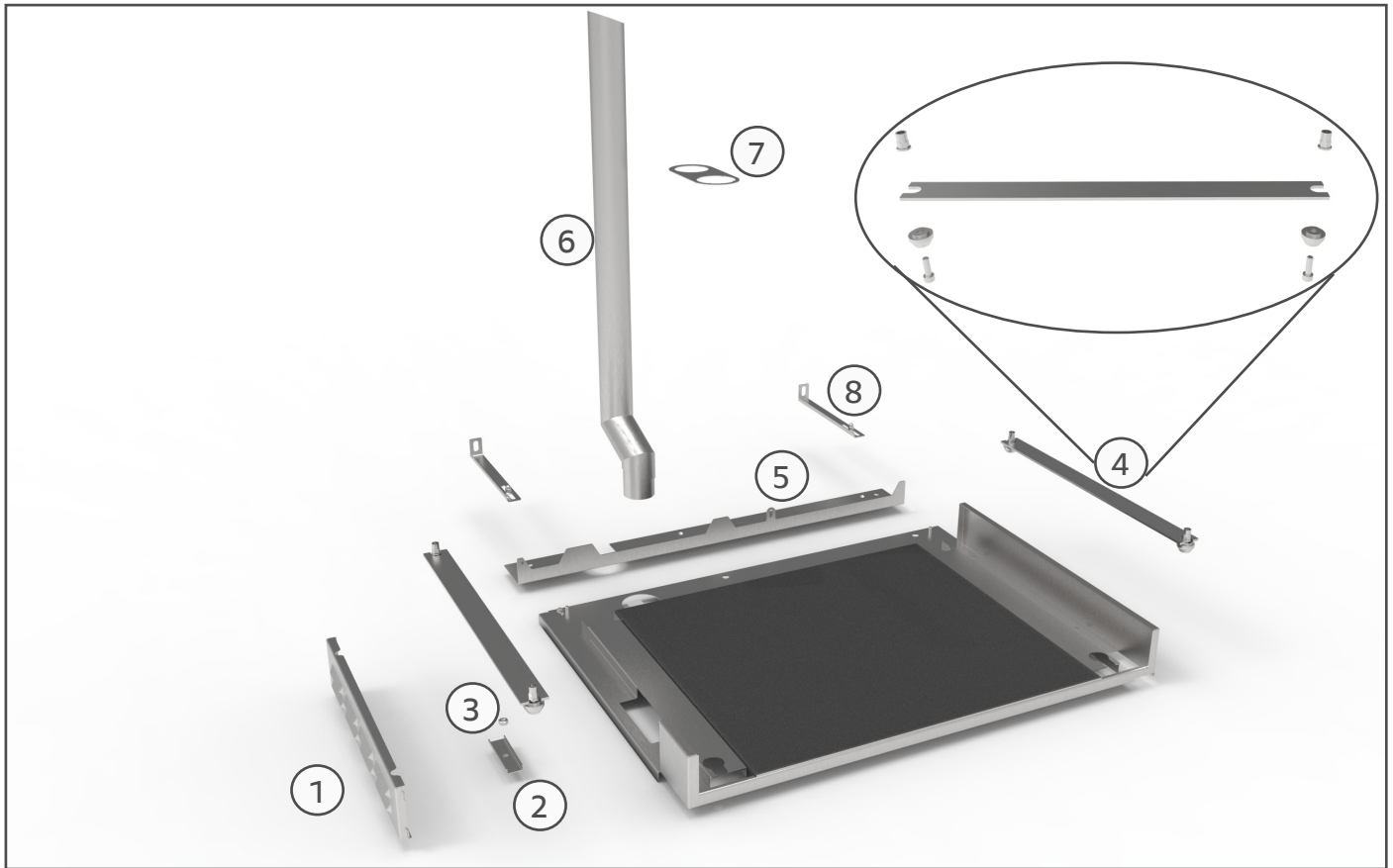
1. In a separate column in the following pages service parts are marked with „SP“ and accessories are marked with „Acc“.
2. When placing orders for service parts or accessories the same previous procedures must be observed. Service parts must be ordered in the service parts department, accessories must be ordered at the accessory department.
3. Possible discounts comply with existing discounts for service parts respectively accessories.

CombiDuo

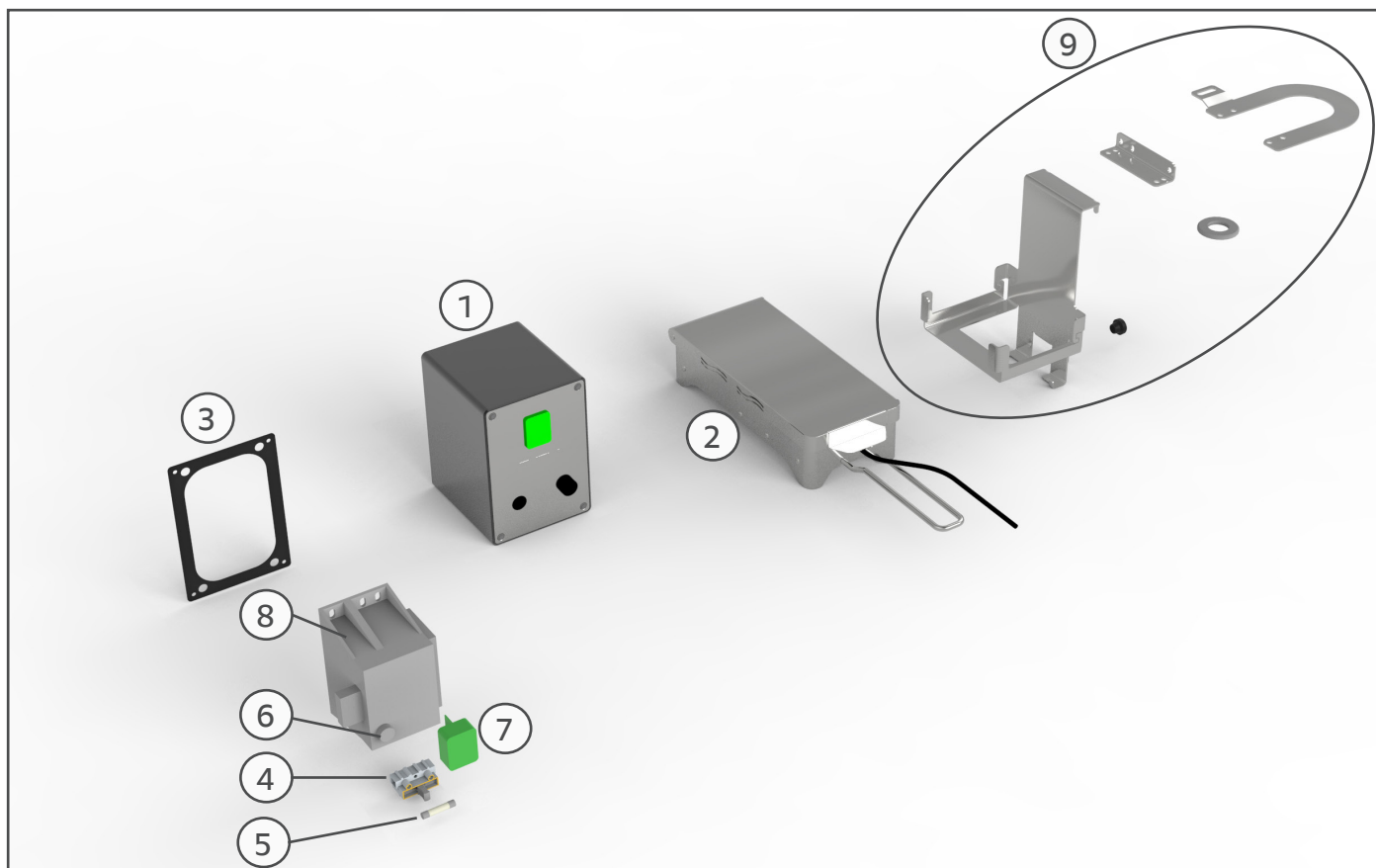


Pos.	Parts description	Article Number	SP / Acc
1	Cover cpl. for Combi-Duo 623	60.73.772P	SP
2	Holder ventilation for Combi-Duo 623	60.73.790P	SP
3	Six pan nut M6 A2	1106.0160	SP
4	Six pans screw M4x10	1004.0666	SP
5	Vent pipe for Combi-Duo 623	60.73.823	SP
6	Holder plate for vent pipe Combi-Duo 623	60.73.822	SP

CombiDuo ship

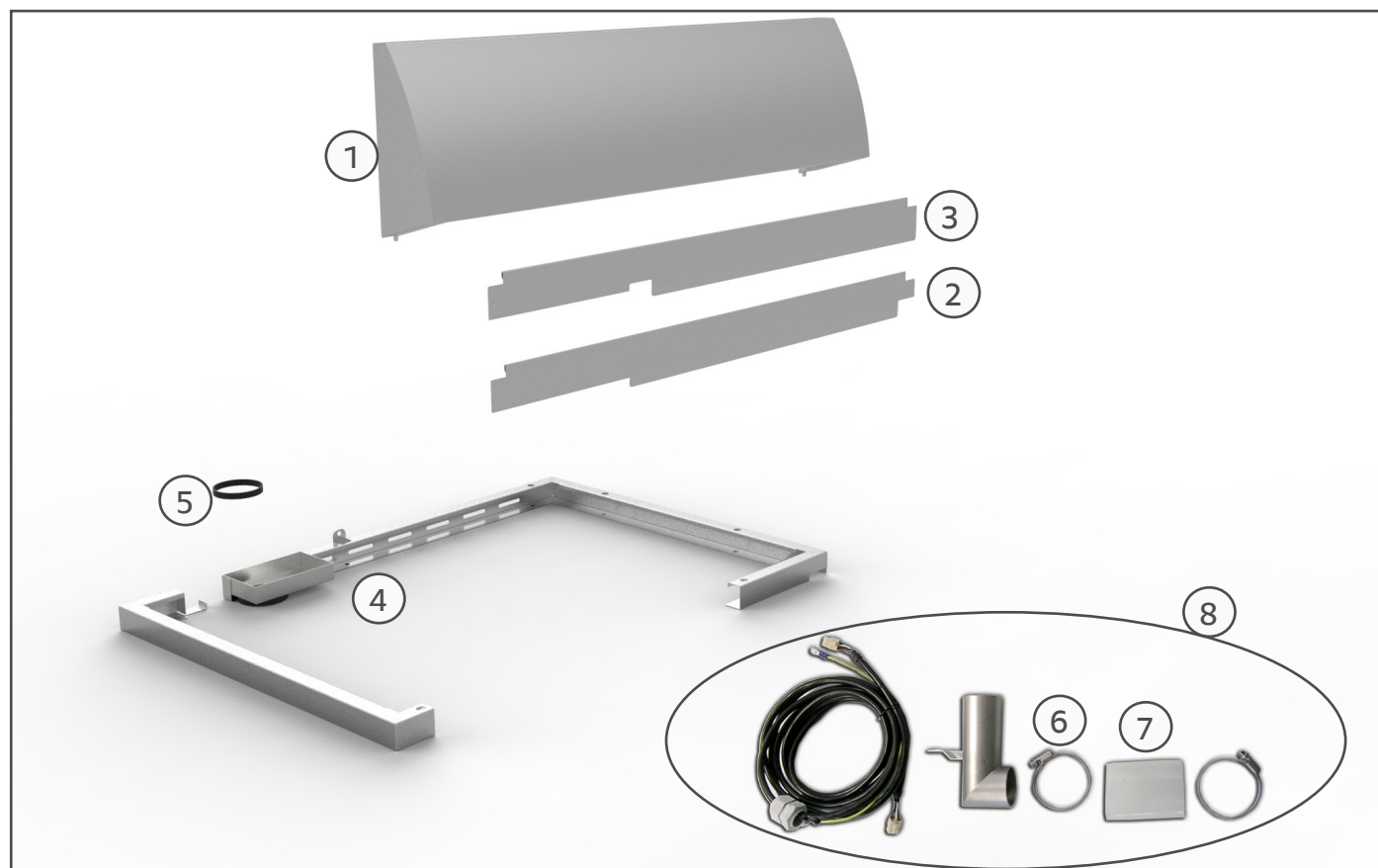


Pos.	Parts description	Article Number	SP / Acc
1	Cover cpl. for Combi-Duo 623	60.73.772P	SP
2	Holder ventilation for Combi-Duo 623	60.73.790P	SP
3	Six pan nut M6 A2	1106.0160	SP
4	Positioning kit	60.74.128S	SP
5	Rear holder plate	60.74.784P	SP
6	Vent pipe for Combi-Duo 623	60.73.823	SP
7	Holder plate for vent pipe Combi-Duo 623	60.73.822	SP
8	Angle	60.74.841	SP



Pos.	Parts description	Article Number	SP / Acc
1	Power supply 200-240 V	60.73.124	SP
	Power supply 100-127 V	60.73.118	SP
2	Smoker box	60.73.126	SP
3	Gasket	60.73.567	SP
4	Fuse holder complete	40.04.479	SP
5	Fuse 1,6A	4001.0230	SP
6	Fuse 4A	40.04.790	SP
7	Main switch	40.04.458	SP
8	Trafo	40.04.426	SP
9	Mounting device kit for VarioSmoker	60.73.270	SP

UltraVent XS



Pos.	Parts description	Article Number	SP / Acc
1	Front panel UltraVent XS 623	60.73.960	SP
2	Cover plate for right hinged units	60.73.957	SP
3	Cover plate for left hinged units	60.73.958	SP
4	Mounting frame	60.73.953	SP
5	Gasket for venting pipe UltraVent	60.73.956	SP
6	Hose clamp 40-60	2066.0504	SP
7	Silikon hose CombiDuo Adapter kit UV XS	60.74.957P	SP
8	Adapter kit UltraVent XS Combi-Duo	60.73.945	Acc
	PCB for UltraVent	42.00.050	SP
	PCB for UltraVent USA	42.00.274	SP
	Bus cable for UltraVent WA44 1,9 m	40.05.417	SP
	Contactor K1/K2	40.06.509	SP
	Contactor K1/K2 USA	40.05.878P	SP
	Capacitor 3,5 μ F	40.04.151	SP
	Capacitor 8 μ F	40.05.413	SP
	Capacitor 14 μ F USA	40.04.229	SP
	Capacitor 35 μ F USA	40.05.415	SP
	Motor blower (M1) 200-240 V	60.72.439	SP
	Motor blower (M1) 100-127 V USA	60.72.701	SP

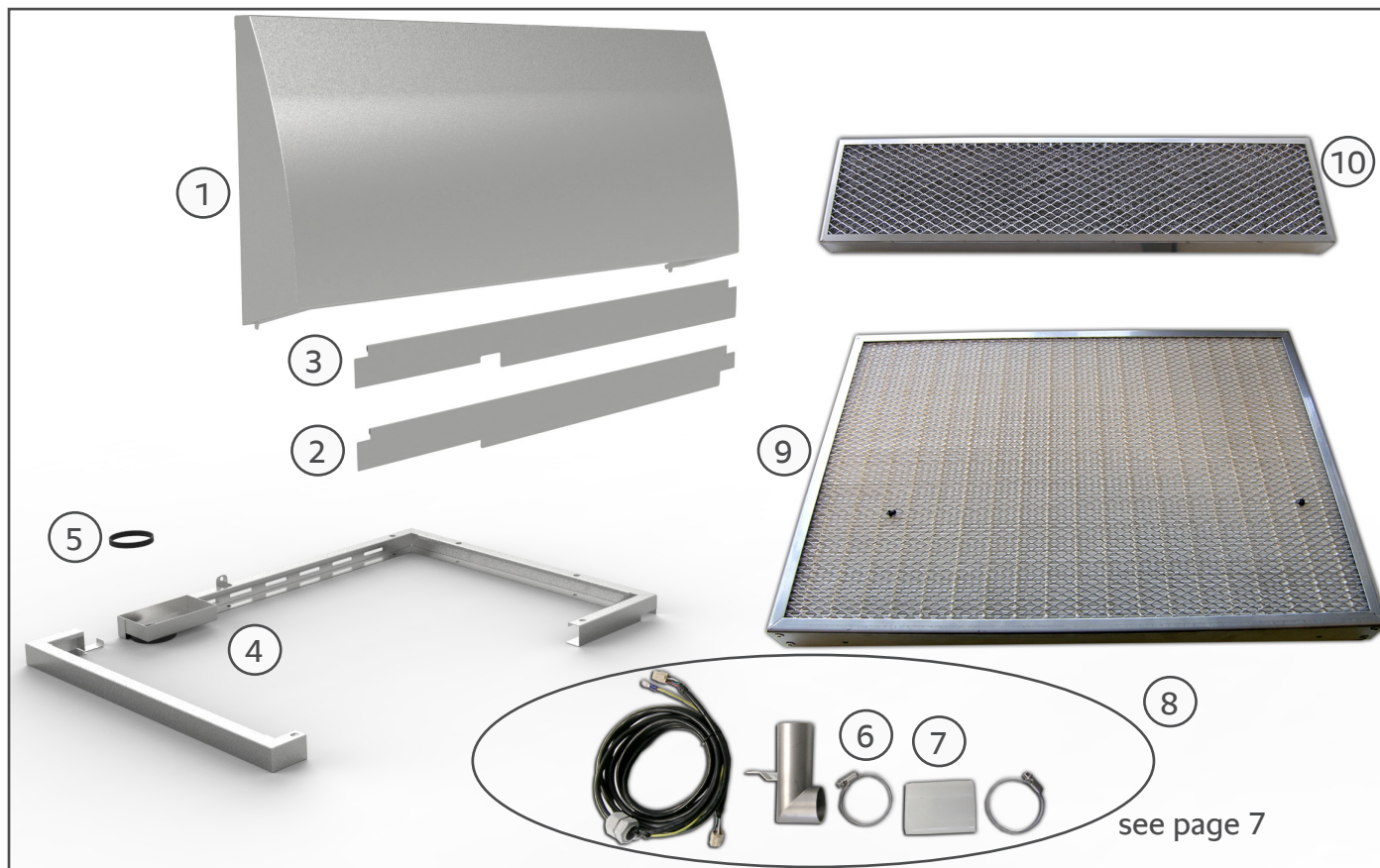
UltraVent XS combination unit*



Pos.	Parts description	Article Number	SP / Acc
1	Front panel UltraVent XS 623	60.73.960	SP
2	Cover plate for right hinged units	60.73.957	SP
3	Cover plate for left hinged units	60.73.958	SP
4	Mounting frame for Combination unit*	60.74.459P	SP
5	Gasket for venting pipe UltraVent	60.73.956	SP
6	Cable set unit-UltraVent XS EU (cable sheath orange)	40.05.843	SP
7	Cable set unit-UltraVent XS USA (cable sheath black)	40.05.851	SP
	PCB for UltraVent for combination unit*	42.00.284P	SP
	Contactor K1/K2	40.05.963P	SP
	Contactor K1/K2 USA	40.03.658	SP
	Capacitor 3,5 μ F	40.04.151	SP
	Capacitor 8 μ F	40.05.413	SP
	Capacitor 14 μ F USA	40.04.229	SP
	Capacitor 35 μ F USA	40.05.415	SP
	Motor blower (M1) 200-240 V	60.72.439	SP
	Motor blower (M1) 100-127 V USA	60.74.701	SP

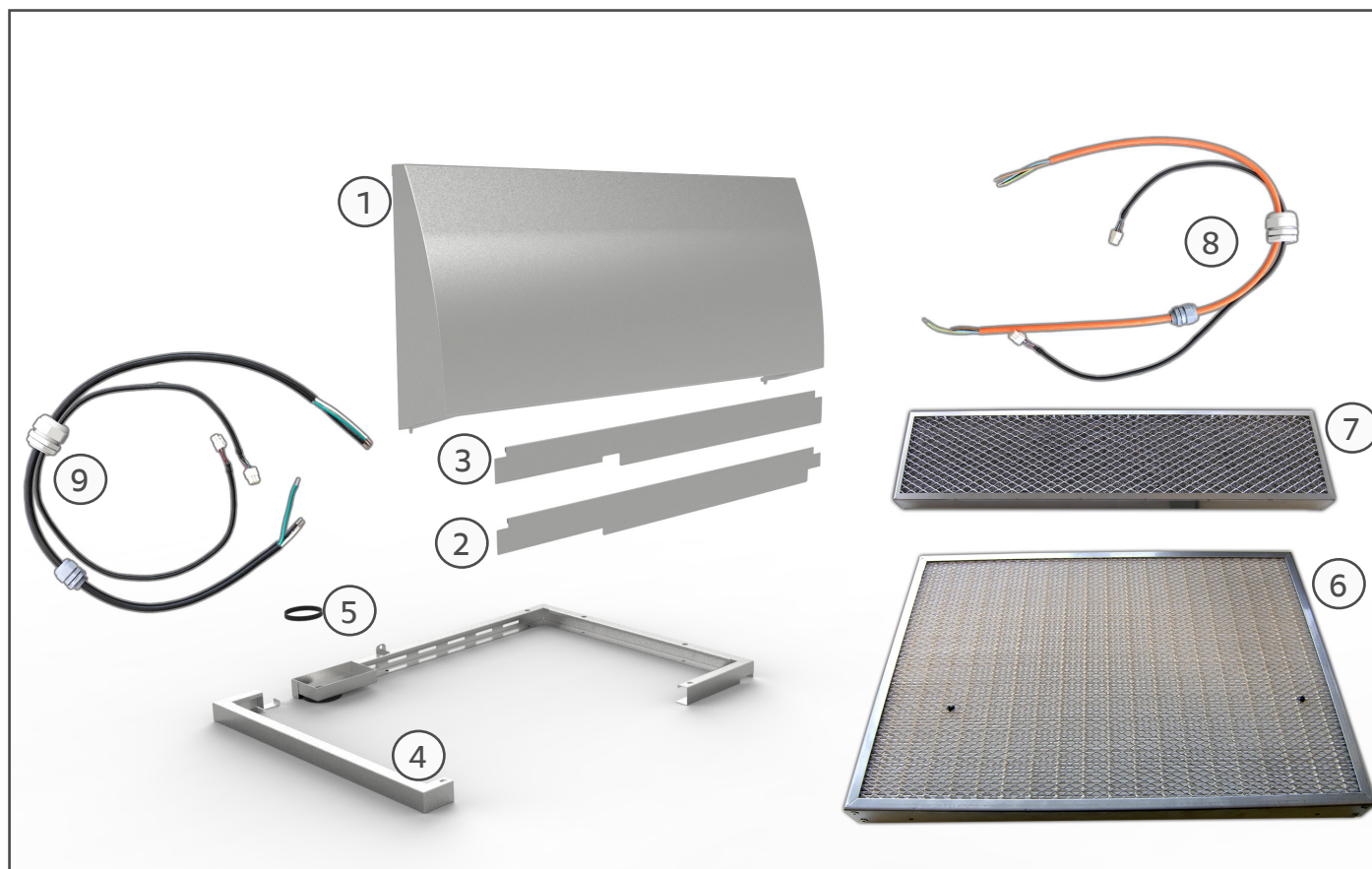
*Combination unit: XS series with factory-mounted UltraVent® XS

UltraVent Plus XS



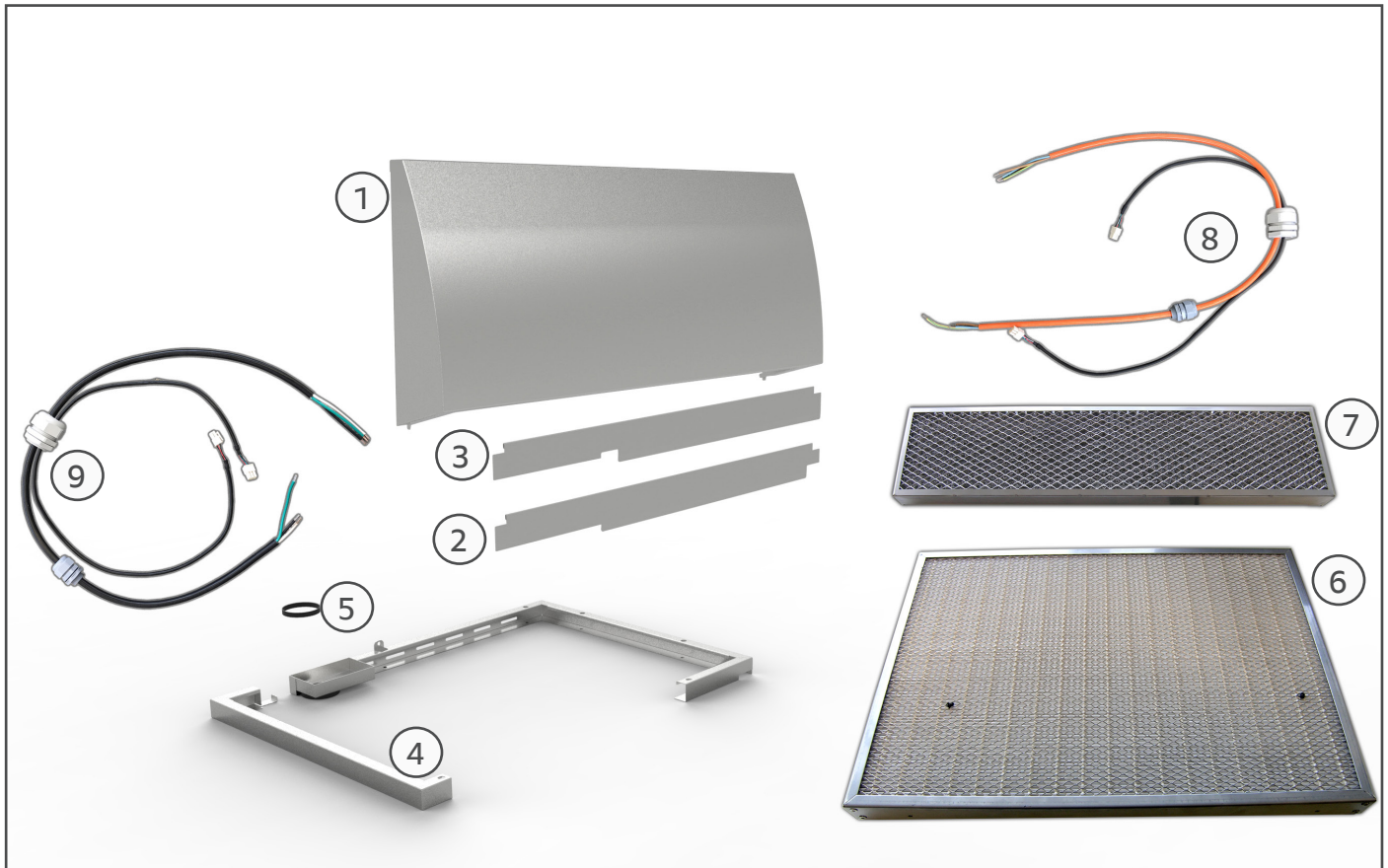
Pos.	Parts description	Article Number	SP / Acc
1	Front panel UltraVent PLUS XS 623	60.74.464	SP
2	Cover plate for right hinged units	60.73.957	SP
3	Cover plate for left hinged units	60.73.958	SP
4	Mounting frame	60.73.953	SP
5	Gasket for venting pipe UltraVent	60.73.956	SP
9	HEPA filter	60.74.403	SP
10	Preliminary filter for UltraVent® Plus XS	60.74.409	SP
	PCB for UltraVent PLUS	42.00.050P	SP
	PCB for UltraVent PLUS USA	42.00.274P	SP
	Bus cable for UltraVent PLUS WA44 1,9 m	40.05.417	SP
	Contactora K1/K2	40.06.509	SP
	Contactora K1/K2 USA	40.05.878P	SP
	Capacitor 3,5 µF	40.04.151	SP
	Capacitor 10 µF	40.04.152	SP
	Capacitor 14 µF USA	40.04.229	SP
	Capacitor 40 µF USA	40.04.230	SP
	Motor blower (M1) 200-240 V	60.72.439	SP
	Motor blower (M1) 100-127 V USA	60.72.701	SP
	Differential pressure switch	3017.1014	SP
	LED yellow 230 V	40.05.972P	SP
	LED yellow 120 V USA	40.05.973P	SP
	Fuse 5x20 2,5AT	3019.0117	SP

UltraVent Plus XS combination unit*



Pos.	Parts description	Article Number	SP / Acc
1	Front panel	60.74.464	SP
2	Cover plate for right hinged units	60.73.957	SP
3	Cover plate for left hinged units	60.73.958	SP
4	Mounting frame for Combination unit*	60.74.459P	SP
5	Gasket for venting pipe UltraVent PLUS	60.73.956	SP
6	HEPA filter	60.74.403	SP
7	Preliminary filter for UltraVent® Plus XS	60.74.409	SP
8	Cable set unit-UltraVent PLUS XS EU (cable sheath orange)	40.05.843	SP
9	Cable set unit-UltraVent PLUS XS USA (cable sheath black)	40.05.851	SP
	PCB for UltraVent PLUS for combination unit*	42.00.284P	SP
	Contactor K1/K2	40.05.963P	SP
	Contactor K1/K2 USA	40.03.687	SP
	Capacitor 3,5 µF	40.04.151	SP
	Capacitor 10 µF	40.04.152	SP
	Capacitor 14 µF USA	40.04.229	SP
	Capacitor 40 µF USA	40.04.230	SP
	Motor blower (M1) 200-240 V	60.72.439	SP
	Motor blower (M1) 100 -127 V	60.72.701	SP
	Differential pressure switch	3017.1014	SP
	LED yellow 230 V	40.05.972P	SP
			->

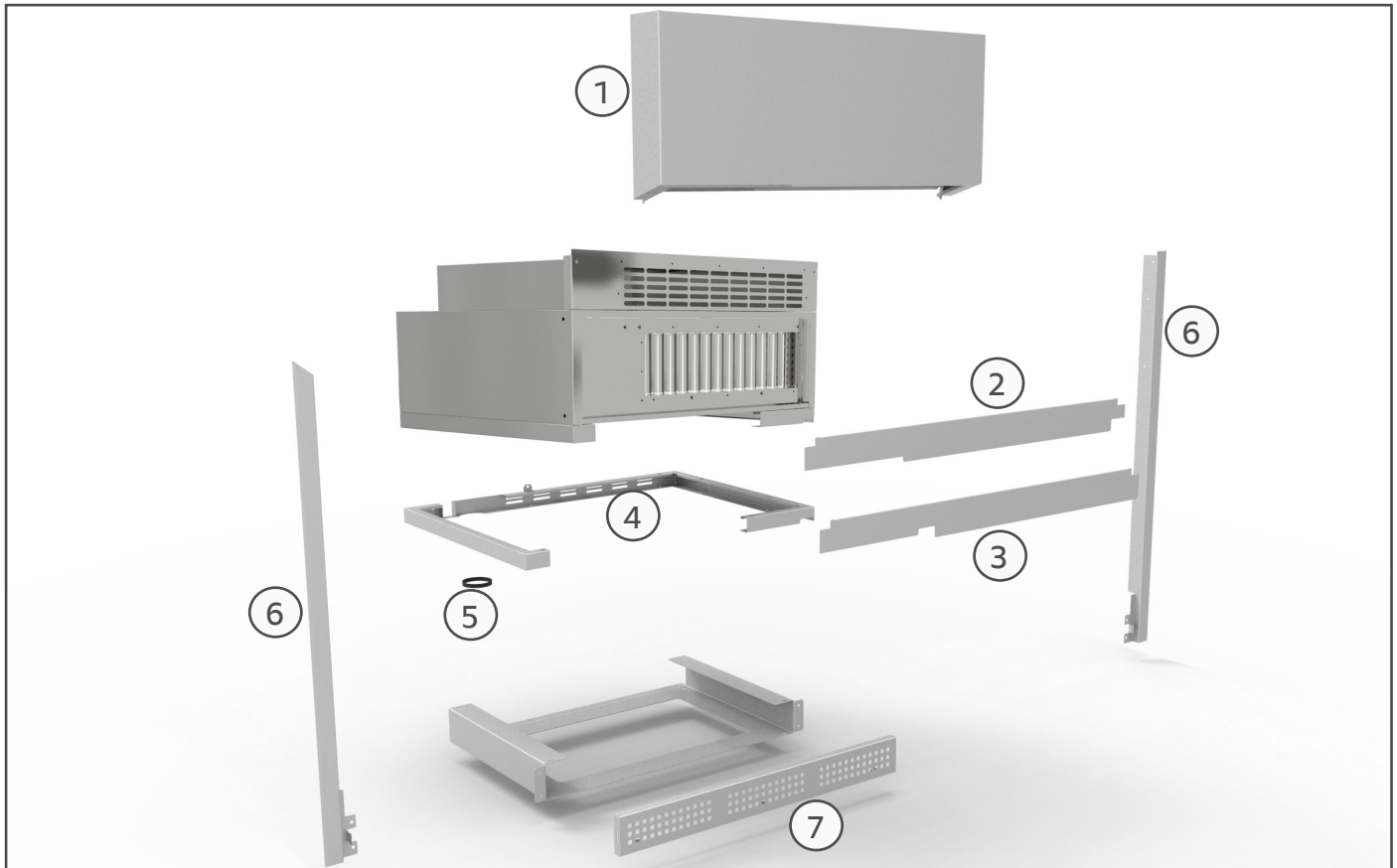
UltraVent Plus XS combination unit*



Pos.	Parts description	Article Number	SP / Acc
	LED yellow 120 V USA	40.05.973P	SP
	Fuse 5x20 2,5AT	3019.0117	SP

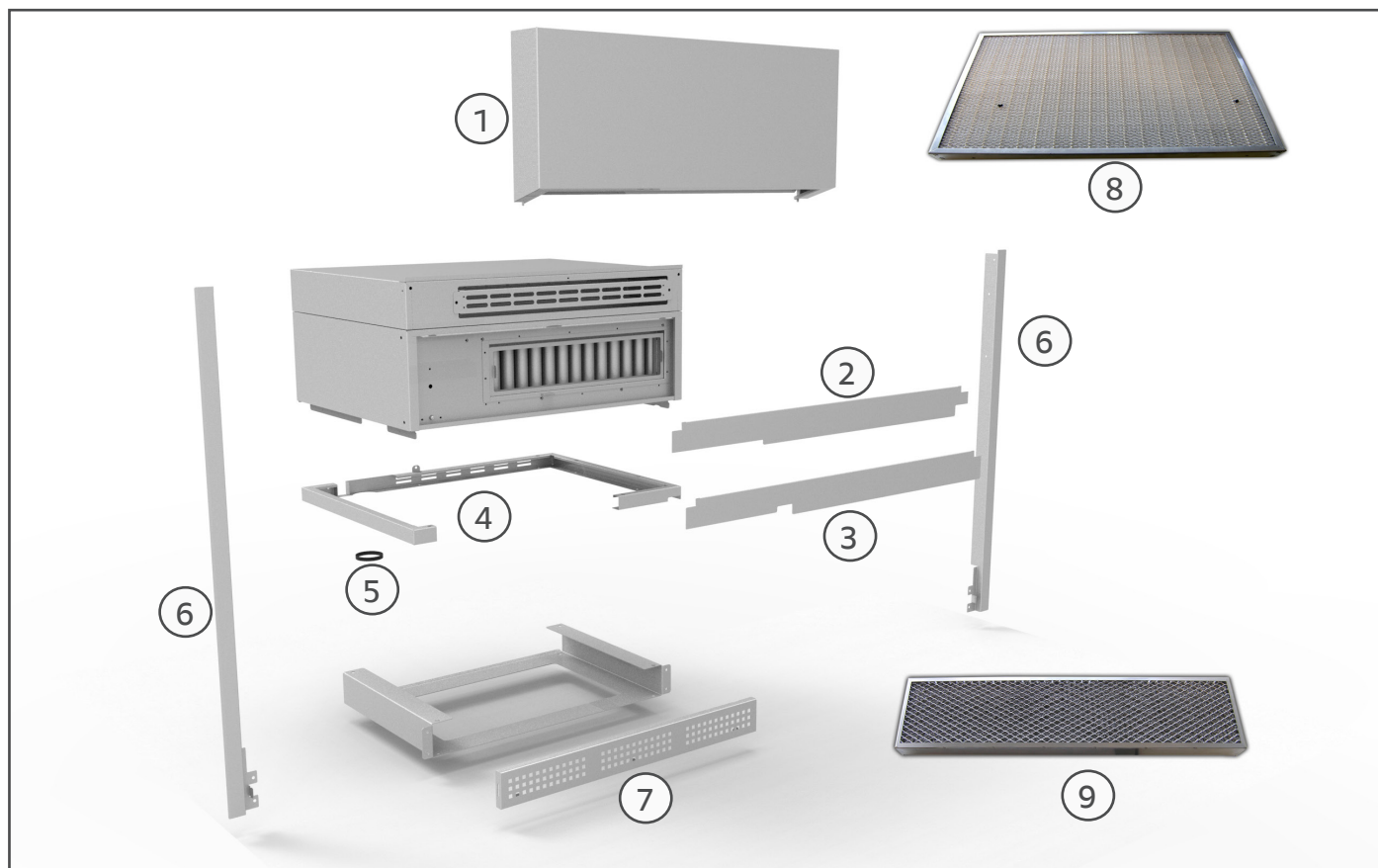
*Combination unit: XS series with factory-mounted UltraVent® PLUS XS

Integration Kit



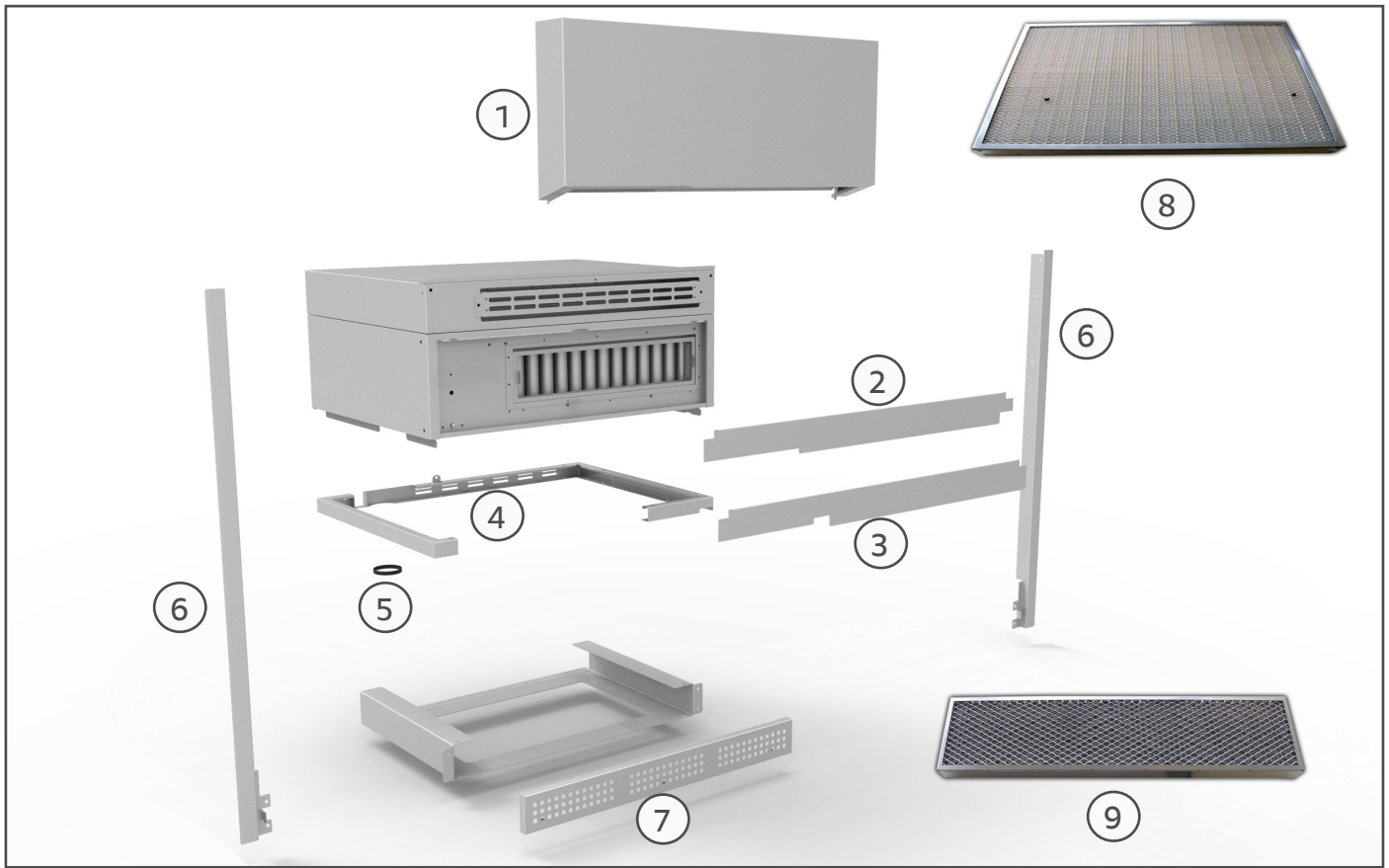
Pos.	Parts description	Article Number	SP / Acc
1	Front panel for integration kit	60.74.194	SP
2	Cover plate for right hinged units	60.73.957	SP
3	Cover plate for left hinged units	60.73.958	SP
4	Mounting frame	60.73.953	SP
5	Gasket for venting pipe UltraVent	60.73.956	SP
6	Right and left side panels to veneer the built-in cabinet	60.74.195	SP
7	Perforated bottom plate with filter mount	60.74.196P	SP
	PCB for UltraVent	42.00.050	SP
	PCB for UltraVent USA	42.00.274	SP
	Bus cable for UltraVent WA44 1,9 m	40.05.417	SP
	Contactor K1/K2	40.06.509	SP
	Contactor K1/K2 USA	40.05.878P	SP
	Capacitor 3.5 μ F	40.04.151	SP
	Capacitor 10 μ F	40.04.152	SP
	Capacitor 14 μ F USA	40.04.229	SP
	Capacitor 35 μ F USA	40.05.415	SP
	Capacitor 40 μ F USA	40.04.230	SP
	Motor blower (M1) 200-240 V	60.72.439	SP
	Motor blower (M1) 100-127 V USA	60.72.701	SP

Integration Kit Plus



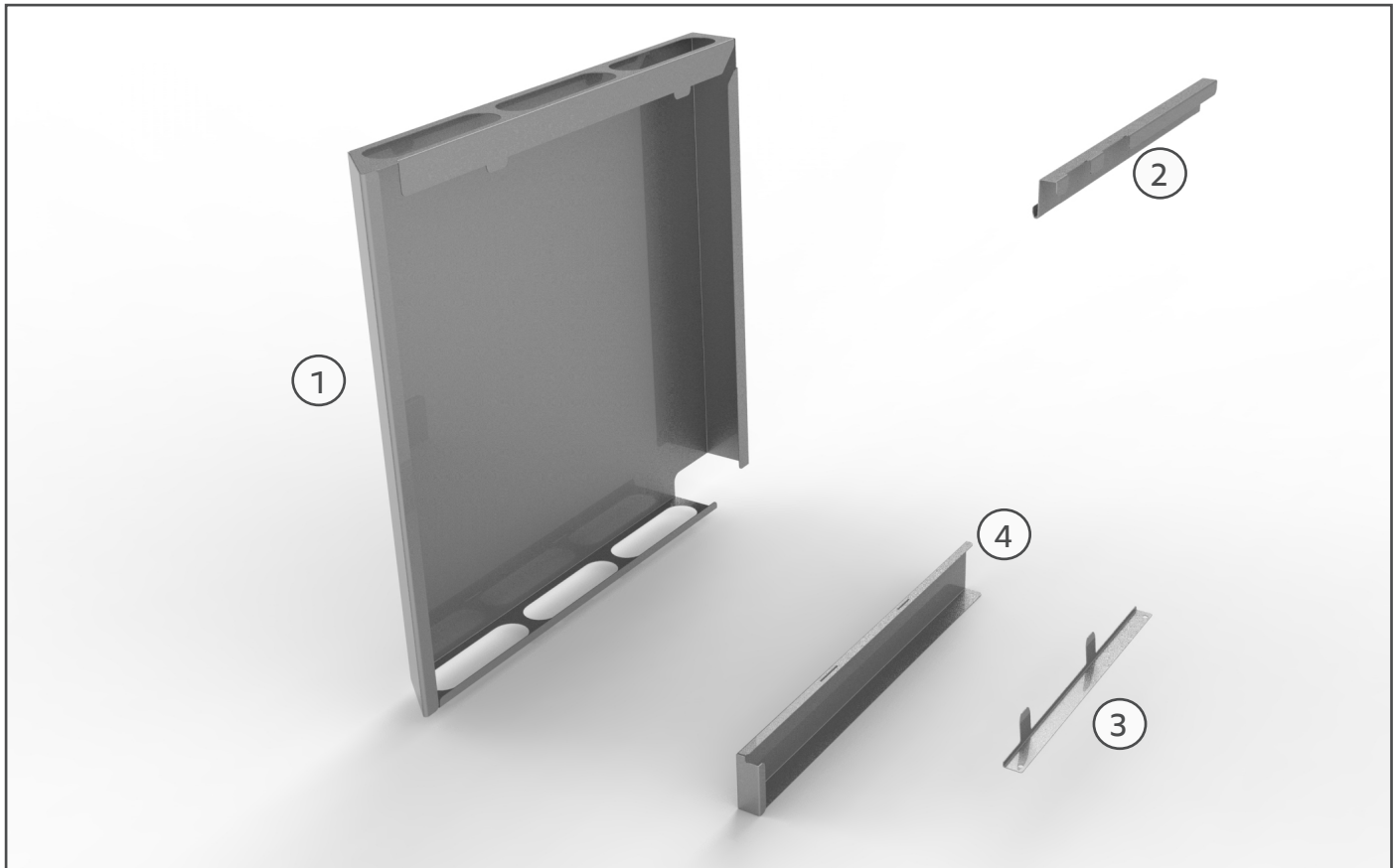
Pos.	Parts description	Article Number	SP / Acc
1	Front panel for integration kit PLUS	60.74.194	SP
2	Cover plate for right hinged units	60.73.957	SP
3	Cover plate for left hinged units	60.73.958	SP
4	Mounting frame	60.73.953	SP
5	Gasket for venting pipe UltraVent PLUS	60.73.956	SP
6	Right and left side panels to veneer the built-in cabinet	60.74.195	SP
7	Perforated bottom plate with filter mount	60.74.196P	SP
8	HEPA filter	60.74.403	SP
9	Preliminary filter for UltraVent® Plus XS	60.74.409	SP
	PCB for UltraVent PLUS	42.00.050	SP
	PCB for UltraVent PLUS USA	42.00.274	SP
	Bus cable for UltraVent PLUS WA44 1,9 m	40.05.417	SP
	Contactor K1/K2	40.06.509	SP
	Contactor K1/K2 USA	40.05.878P	SP
	Capacitor 3,5 µF	40.04.151	SP
	Capacitor 10 µF	40.04.152	SP
	Capacitor 14 µF USA	40.04.229	SP
	Capacitor 40 µF USA	40.04.230	SP
	Motor blower (M1) 200-240 V	60.72.439	SP
	Motor blower (M1) 100-127 V USA	60.72.701	SP
			->

Integration Kit Plus



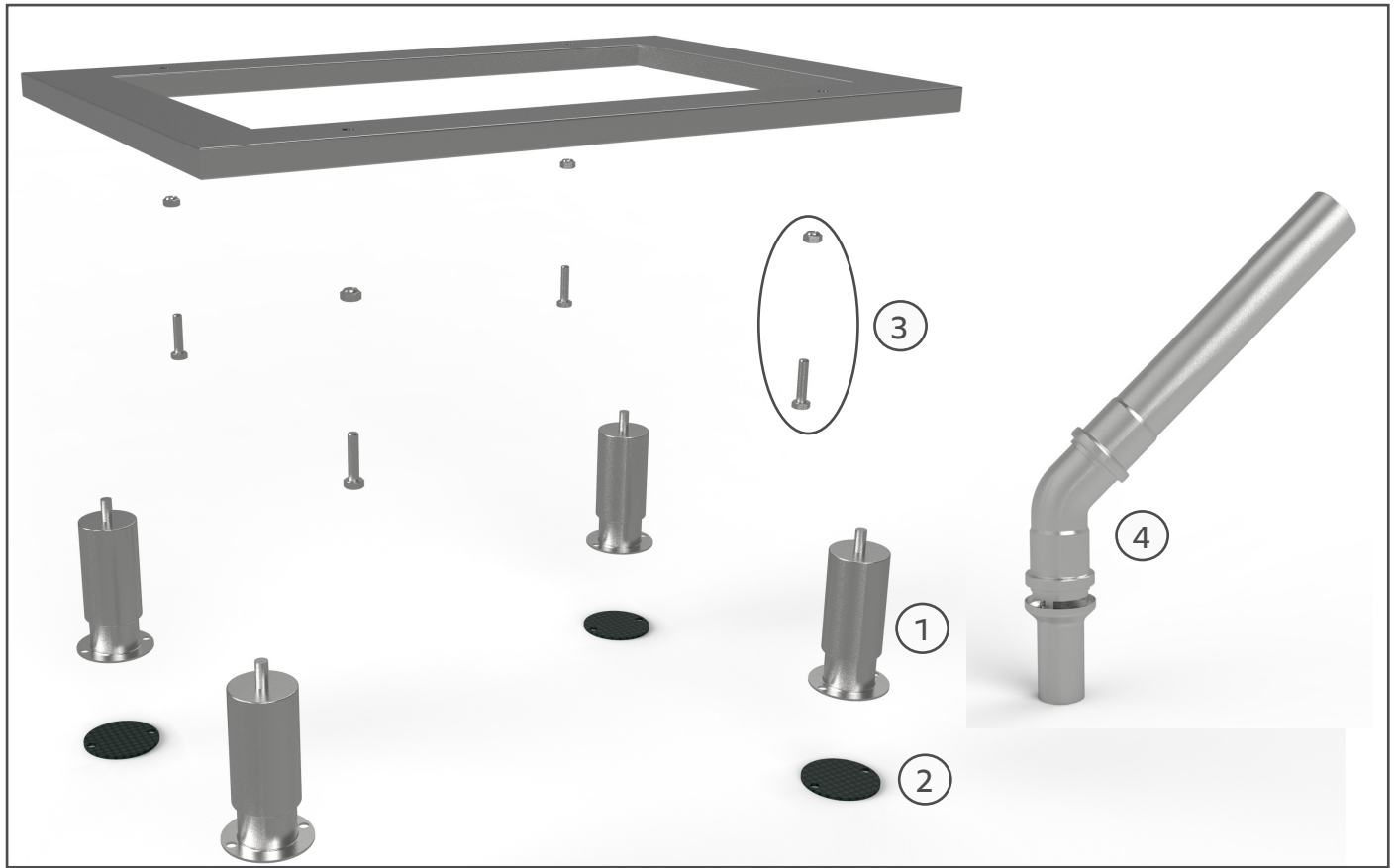
Pos.	Parts description	Article Number	SP / Acc
	Differential pressure switch	3017.1014	SP
	LED yellow 230 V	40.05.972P	SP
	LED yellow 120 V	40.05.973P	SP
	Fuse 5x20 2,5AT	3019.0117	SP

Heat shield



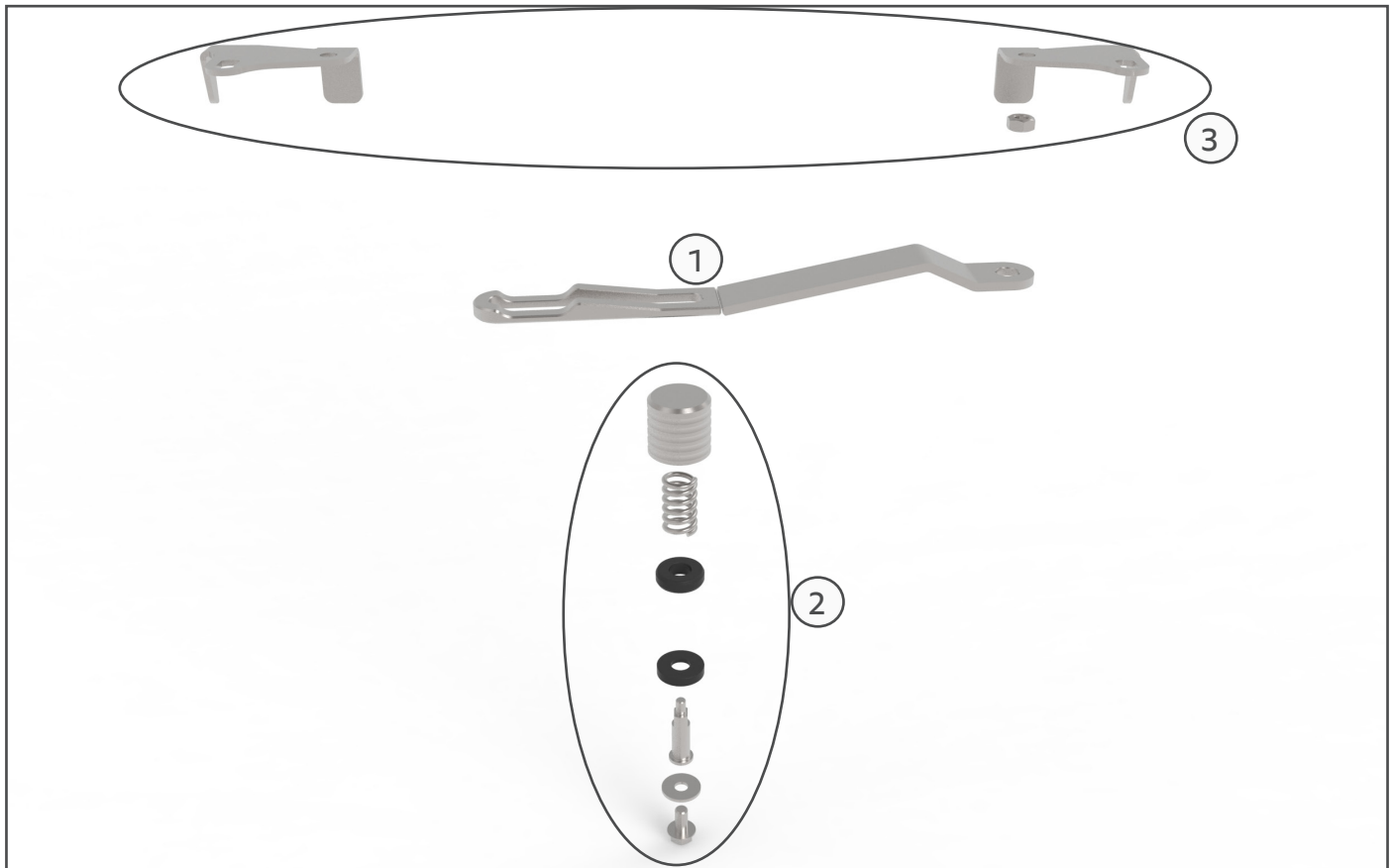
Pos.	Parts description	Article Number	SP / Acc
1	Heat shield for left side	60.74.184	SP
2	Holder on top	60.74.213	SP
3	Holder bottom	60.74.264	SP
4	Base	60.74.353	SP

Stand XS / Condensationbreaker



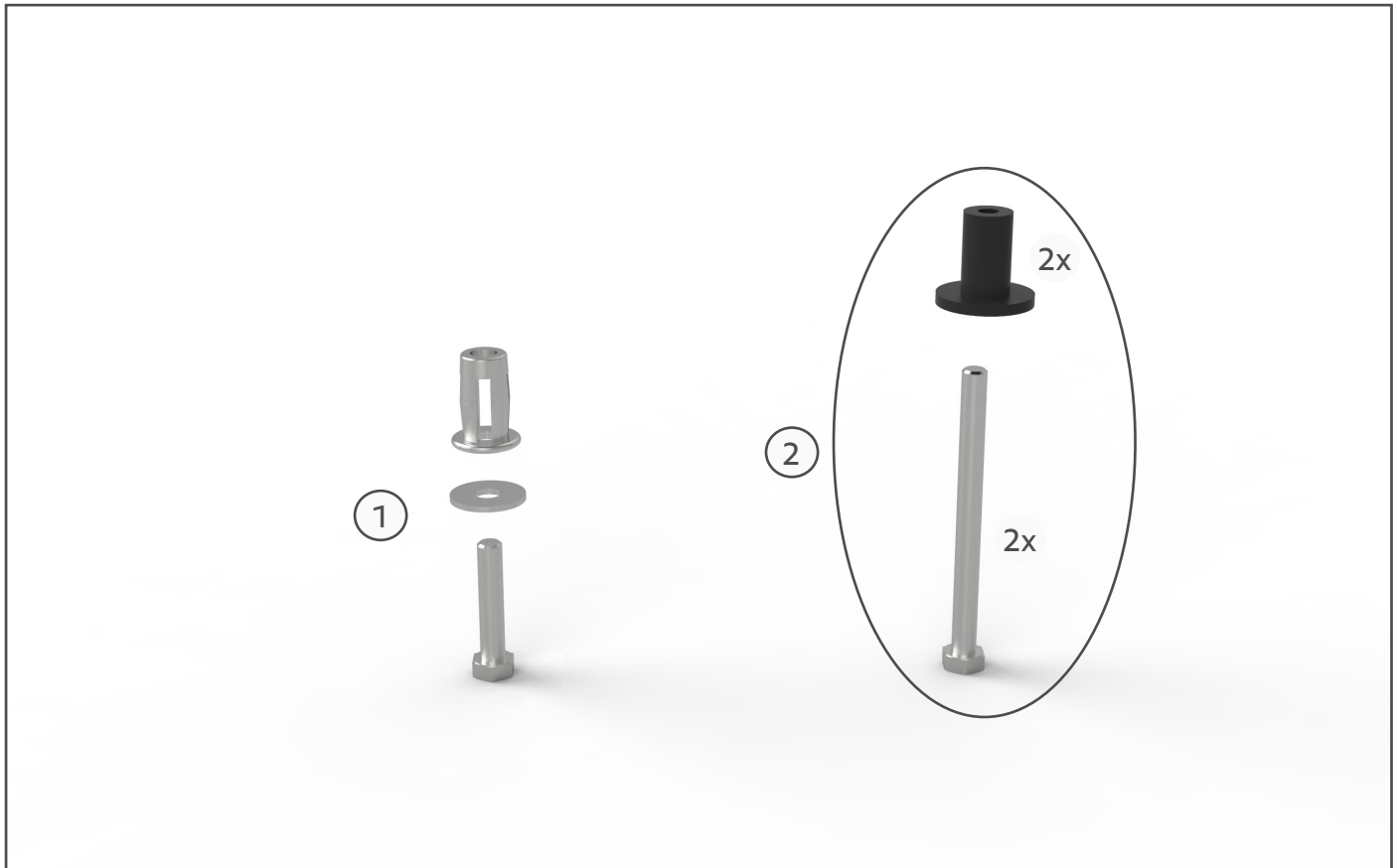
Pos.	Parts description	Article Number	SP / Acc
1	Foot adjustable high-grade steel 125-175mm	12.01.172	SP
2	Slide protection device base	12.02.118P	SP
3	Fastening set stand XS (1108.0324, 10.01.609)	87.01.522S	SP
4	Condensationbreaker Steam 623 cpl.	60.74.037	Acc

Door fixing mechanism XS

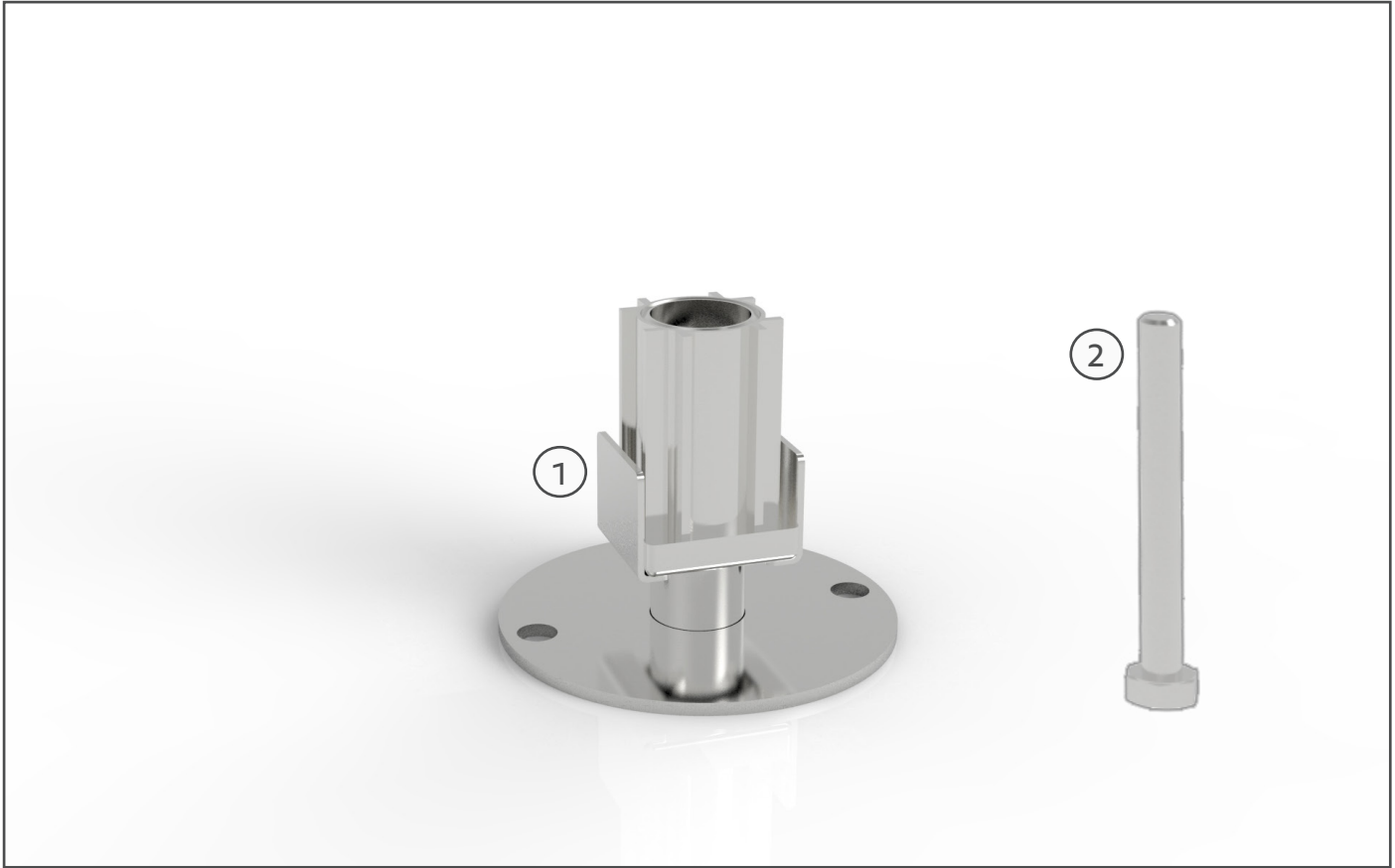


Pos.	Parts description	Article Number	SP / Acc
1	Cam rail cpl. door fixing	60.74.627P	Acc
2	Fastening set door fixing	87.01.525S	SP
3	Bearing block cpl.	87.01.526S	SP

Mounting material



Pos.	Parts description	Article Number	SP / Acc
1	Fastening kit for integration stand UltraVent XS	60.74.253	SP
2	Installation kit stand, wall mounting XS	87.01.407	SP



Pos.	Parts description	Article Number	SP / Acc
1	Foot adjustable,35x35 with flange for UG	60.30.195	SP
2	Six pans screw M6x55	1006.2061	SP

