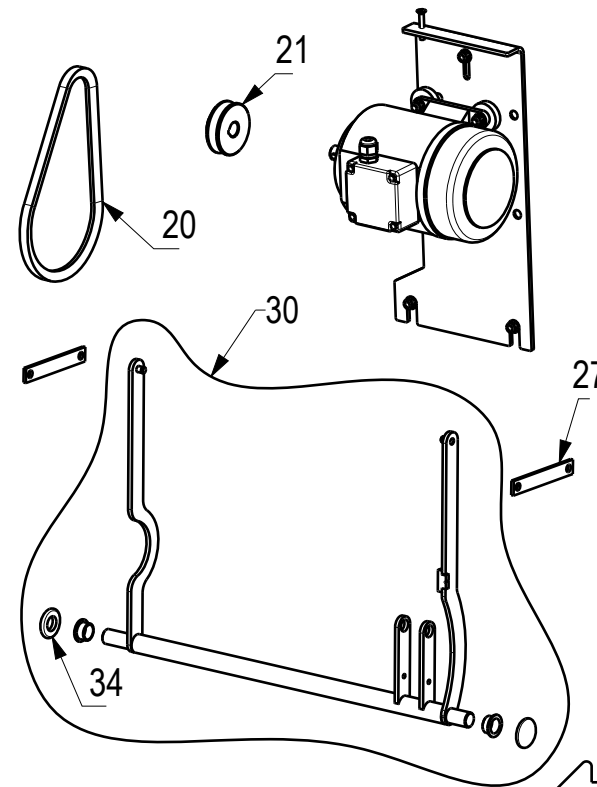
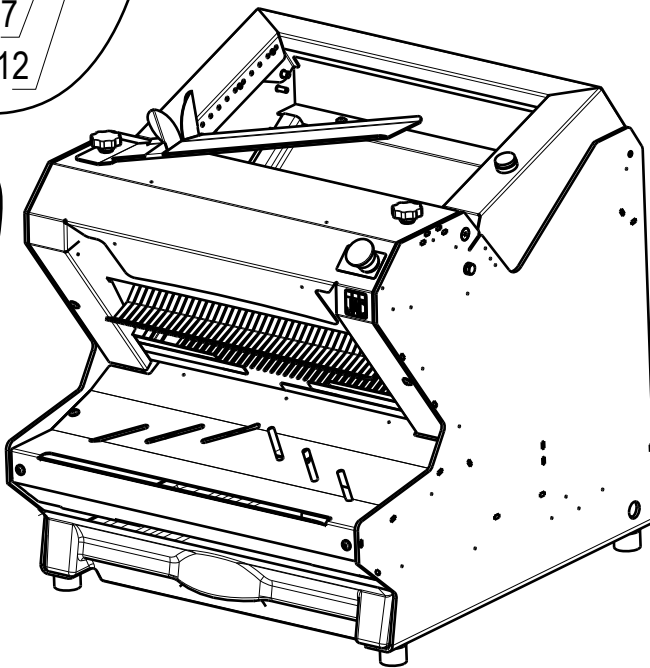
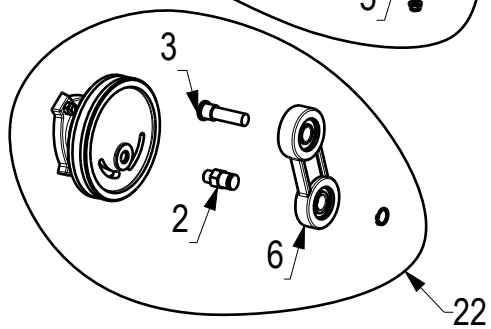
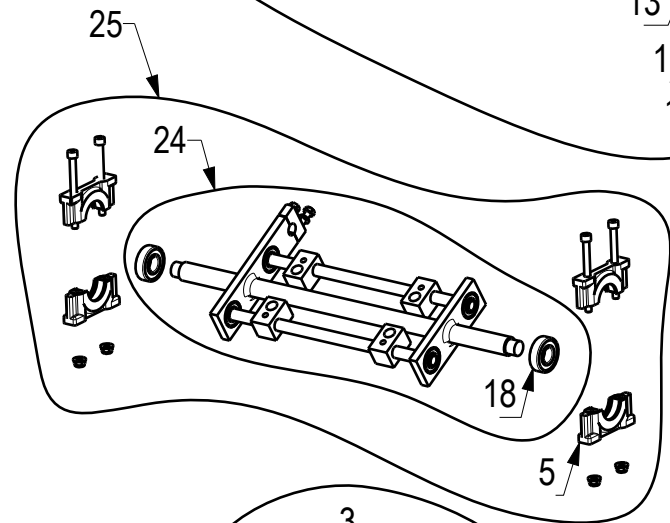
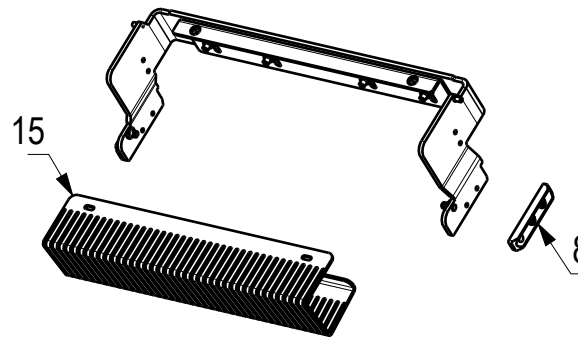
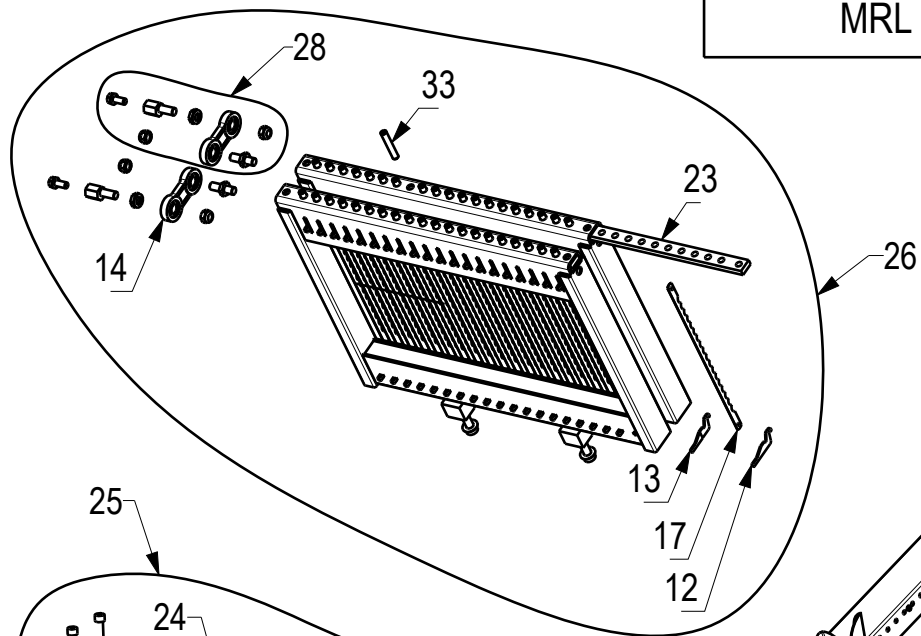
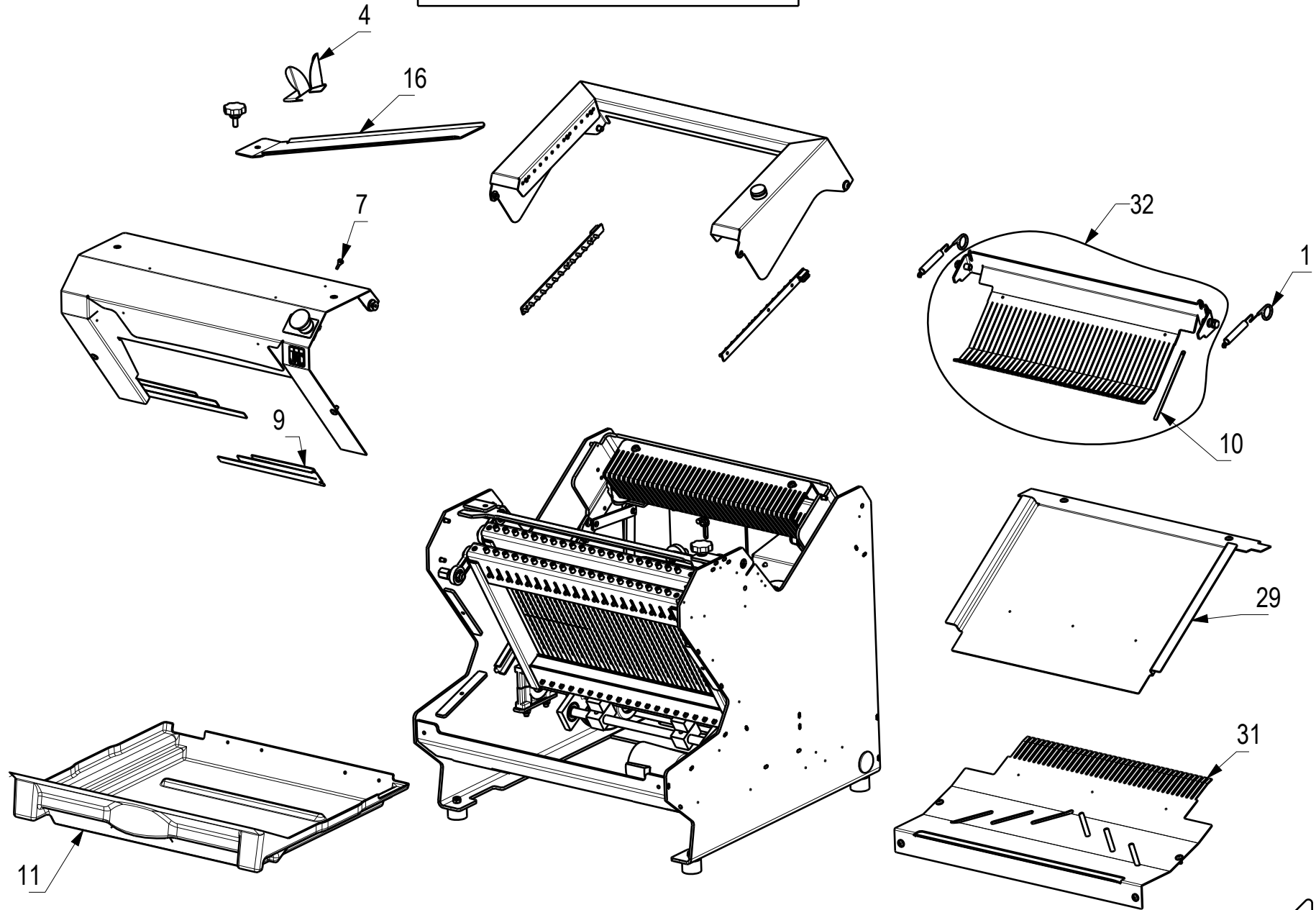


MRL 2017 => ...



MRL 2017 => ...



Traditionally Innovative



MRL 2017 => ...

