

retigo®  
*Vision*

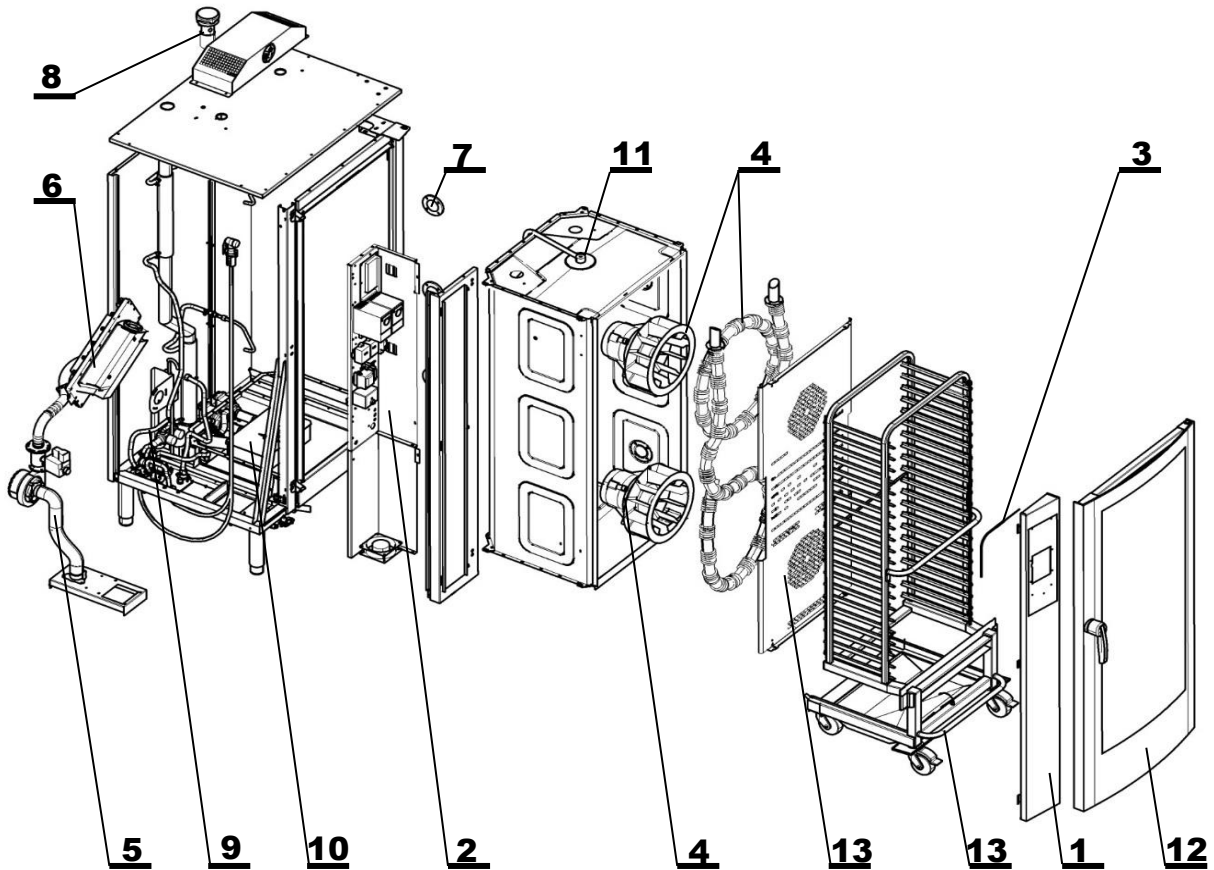


## Spare parts catalogue

RETIGO Vision  
Combi oven 2011  
gas



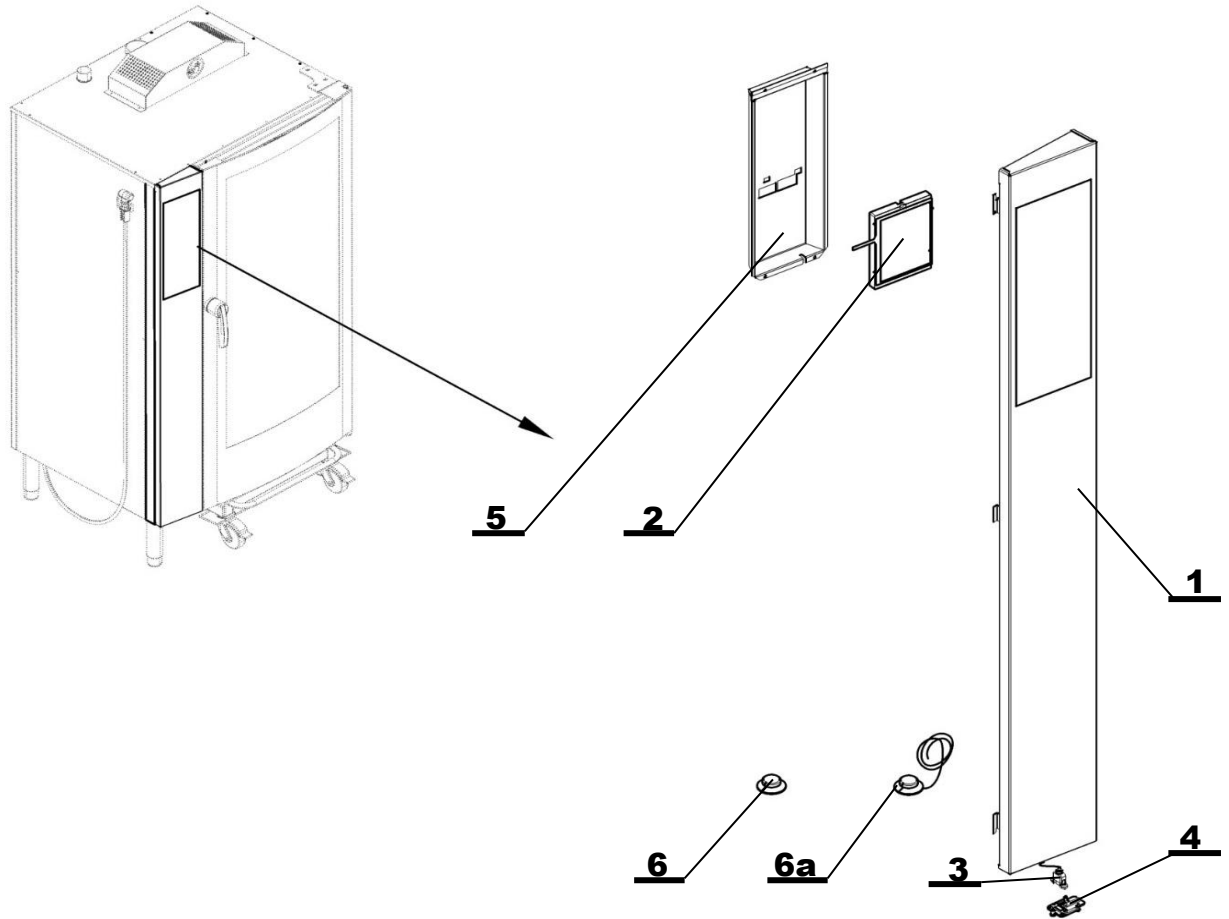
## VISION 2011 BLUE/ORANGE



## CONTENT

		Page
1	Control panel	4
2	Power panel	5
3	Temperature sensors	6
4	Motor, ventilator, heating	7
5	Gas set	8
6	Gas burner	9
7	Light	10
8	Flap valve	11
9	Water distribution system - injection	12
10	Drainage system	13 - 14
11	Automatic cleaning system	15
12	Door	16
13	Accessories	17

## CONTROL PANEL

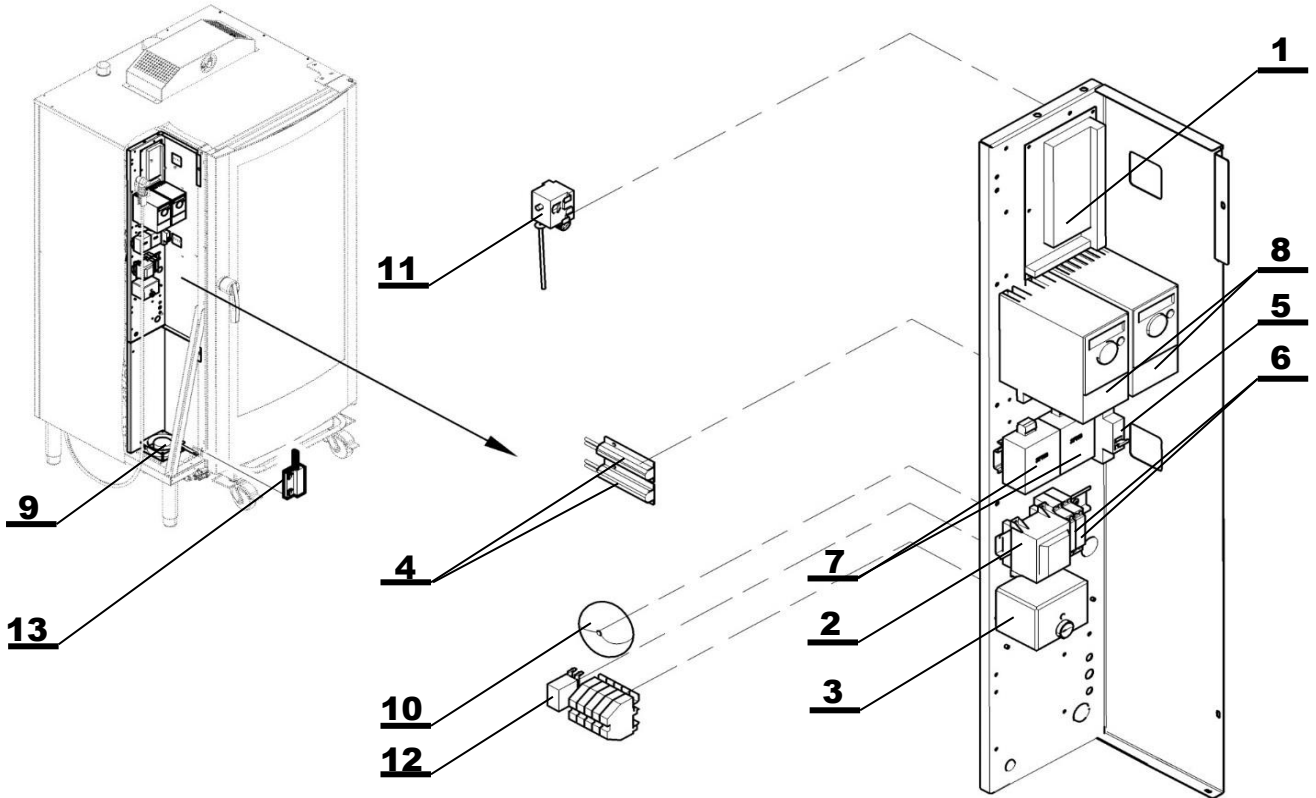


Position	Code	Name	For type of combi oven	
			B2011IG	O2011IG
1	AC21-1405/S/CH1	LEFT CORNER PLATE - BLUE WITH USB CONNECTOR	•	•
1	AC21-1406/S/CH1	LEFT CORNER PLATE - ORANGE WITH USB CONNECTOR	•	•
2	XC10-2000	ELECTRONIC BOARD SET VISION-BLUE Freescale 2011	•	•
2	XC10-2100	ELECTRONIC BOARD SET VISION-ORANGE Freescale 2011	•	•
3	EA05-0052	USB CABLE	•	•
4	SP21-0001	USB COVER	•	•
5	AP10-0021	COVER OF ELECTRONICS	•	•
6	EA13-0151	AUXILIARY LOUD-SPEAKER	•	•
6a	AA11-9904	SPEAKER SET - 2011,2021	•	•

Note:

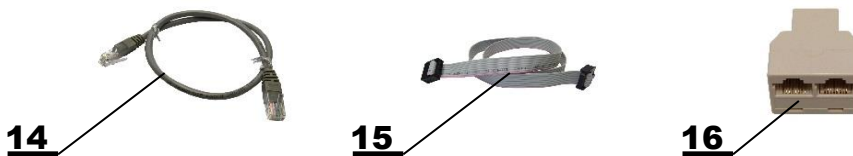
1	AC21-1405/CH1	WHOLE LEFT CORNER WITH ELECTRONIC 20-BLUE	•	•
1	AC21-1406/CH1	WHOLE LEFT CORNER WITH ELECTRONIC 20-ORANGE	•	•

## POWER PANEL - BLUE/ORANGE



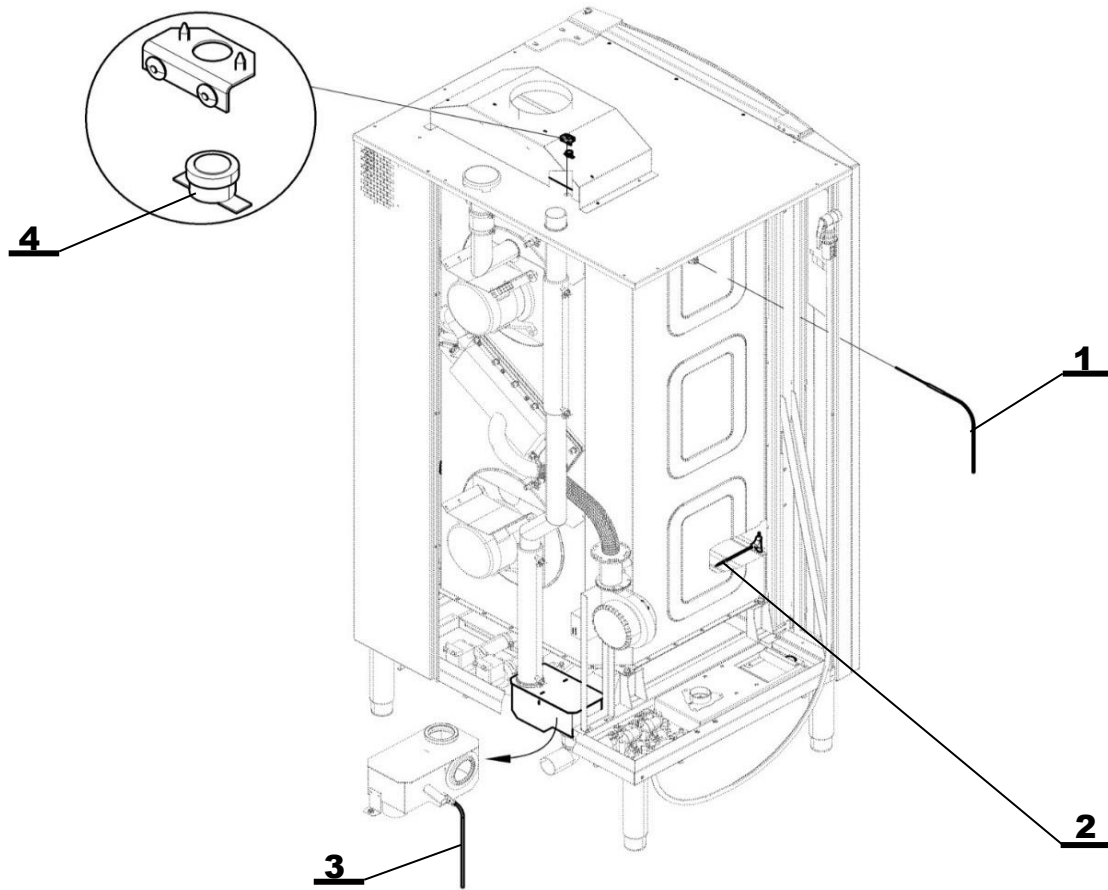
Position	Code	Name	For type of combi oven	
			B2011IG	O2011IG
1	EA14-0080	POWER SUPPLY BOARD VISION -R04.1	•	•
2	EA13-0008	TRANSFORMER TRONIC 17V	•	•
3	EA01-0203	BURNER'S AUTOMATICS	•	•
4	EA16-0041	RESISTOR VW3TR342150RJ	•	•
5	EA03-0016	CIRCUIT BREAKER	•	•
6	EA01-0104	RELAY FINDER	•	•
7	EA13-0109	SUPPRESSOR	•	•
8	EA13-0400	FREQUENCY CONVERTER	•	•
9	ZA21-0007	FAN SUNNON	•	•
10	EA13-0011	TOROIDAL TRANSFORMER 230V/11,5V	•	•
11	EA04-0012	THERM. FUSE FOR SPACE 360°C	•	•
12	EA13-0057	SUPPRESSION COMPONENT FC611	•	•
13	EA01-0015	DOOR SWITCH 623, 611, 1011	•	•

Note: CONNECTING DEVICES



14	EA05-0072	CABLE UTP 0,5m	•	•
15	EA05-0078	CABLE K-PLC 10	•	•
16	EA15-0011	RJ 45 SPLITTER	•	•

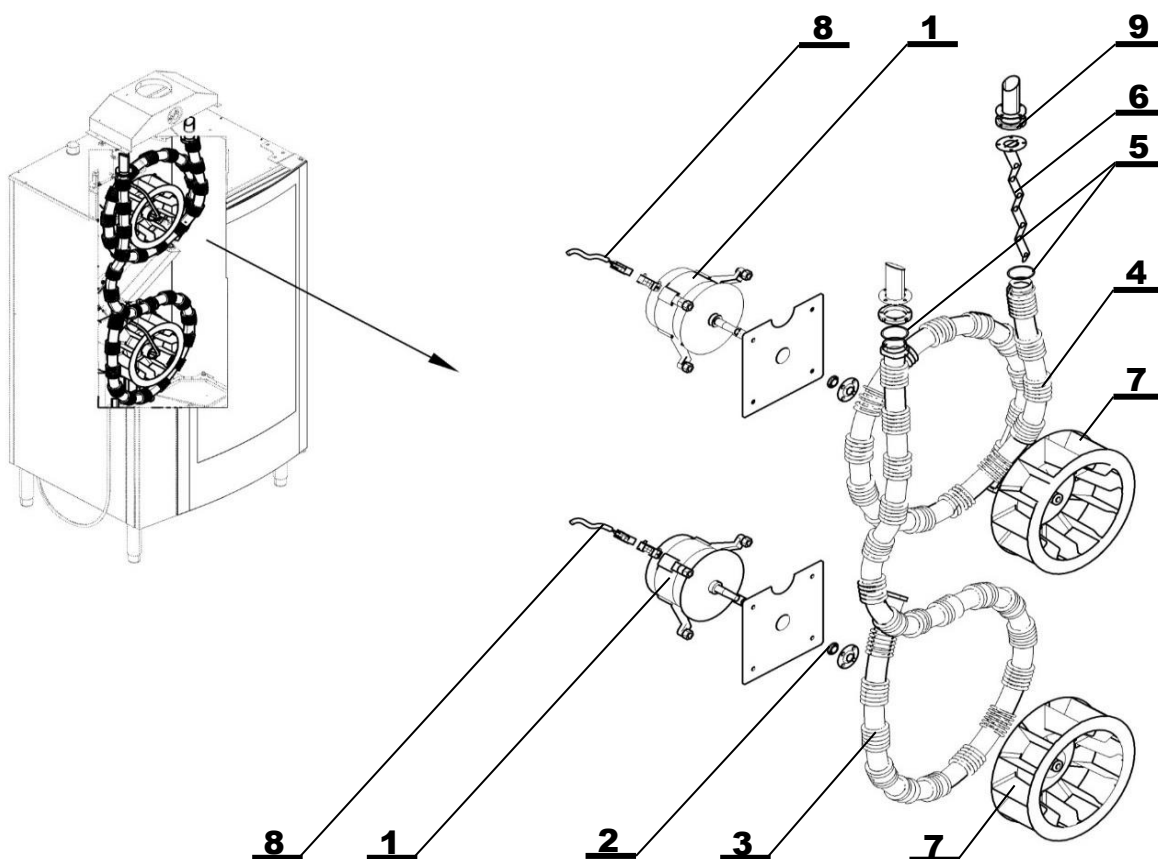
## TEMPERATURE SENSORS



Position	Code	Name	For type of combi oven	
			B2011IG	O2011IG
1	EA10-0103	COOKING CHAMBER AND STEAM TEMP. SENSOR	•	•
2	EA10-0119	CORE PROBE (meat probe) - Blue - 4 point 1221, 2011, 2021	•	•
2a	EA10-0117	CORE PROBE (meat probe) - Orange - 1 point 1221, 2011, 2021	•	•
3	EA10-0105	DRAIN and BOILER TEMP. SENSOR 2011, 2021	•	•
4 (*)	EA01-0156	REVERSIBLE THERMOSTAT 110°C,EAW	•	•

Note: (\*) ONLY FOR COMBI OVENS TYPE B (STACK EXHAUST)

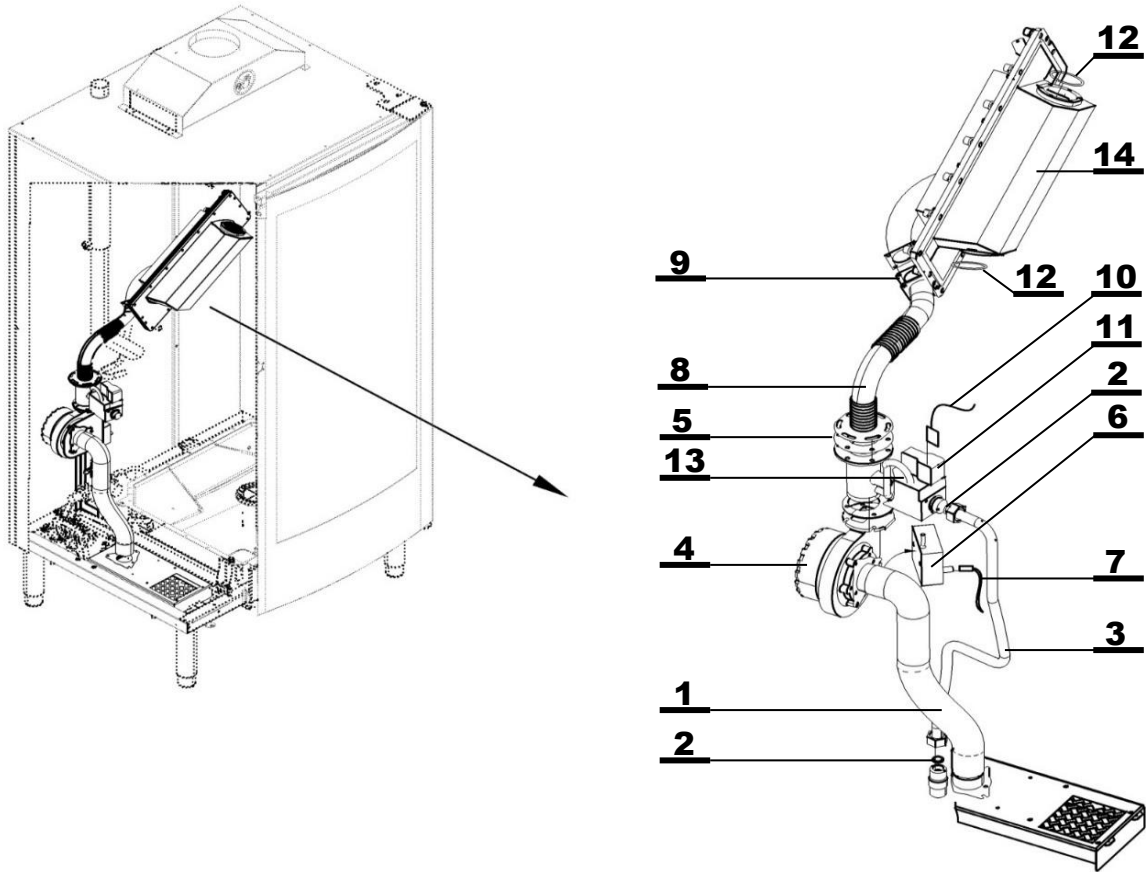
## MOTOR - VENTILATOR - HEATING



Position	Code	Name	For type of combi oven	
			B2011IG	O2011IG
1	EA11-0014	MOTOR HANNING L9 EB30	•	•
2	AX00-0006	MOTOR SEAL	•	•
3	AC31-3750	HEAT EXCHANGER 20 - EXTENDED	•	•
4	AC31-3850	HEAT EXCHANGER 20 - SHORTER	•	•
5	AP31-0049	BRASS SEAL	•	•
6	AC31-1603	FLOW BREAKER	•	•
7	AX09-0006	VENTILATOR FAN ø 320mm/110mm	•	•
8	EA05-0203	CABLE 2011	•	•
9	AT31-0025	NUT KM GAS	•	•

Note:

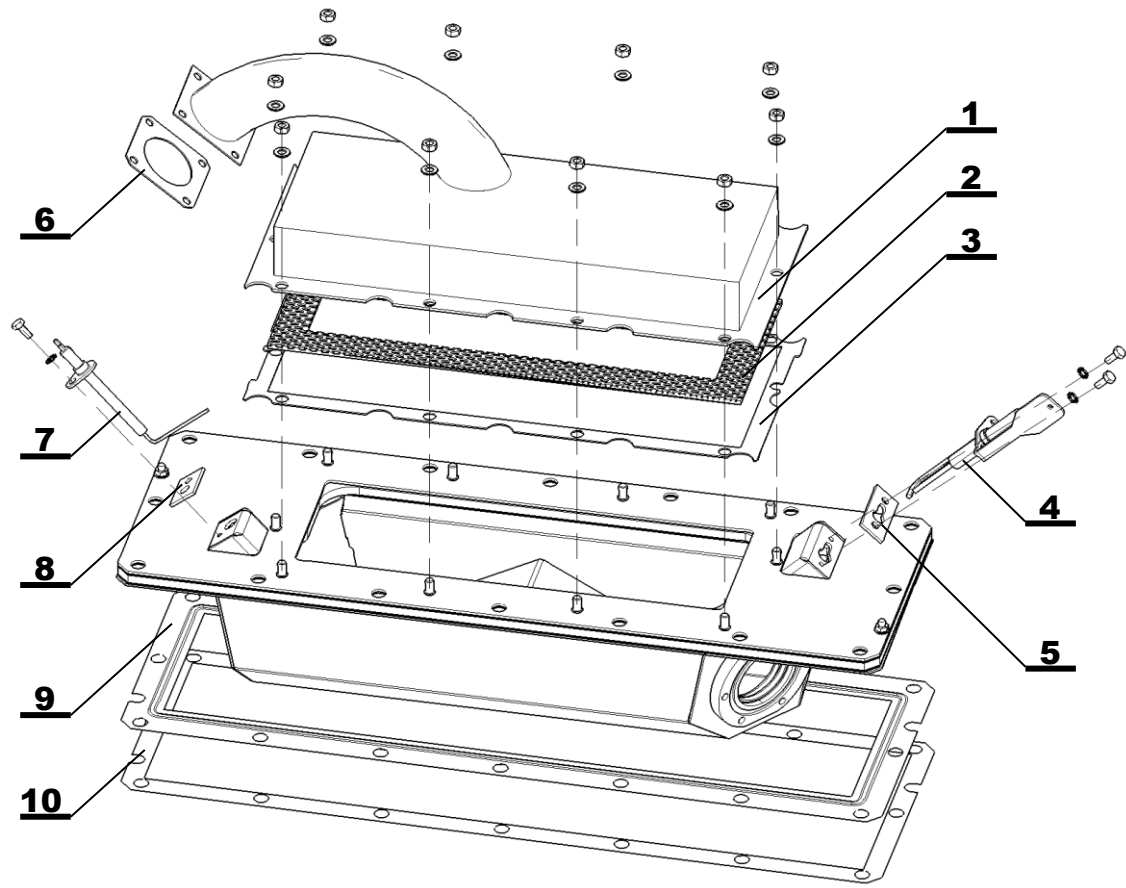
## GAS SET



Position	Code	Name	For type of combi oven	
			B2011IG	O2011IG
1	AA31-0001	HOSE FOR HOT GAS 611	•	•
2	ZD01-2002	GAS SEAL 3/4"	•	•
3	AC31-1200	TIE TUBE 611	•	•
4	ZA21-0009	VENTILATOR NG-40 pre-mix blower NG-40	•	•
5	AX31-0026	GAS SEAL 12-20	•	•
6	EA13-0013	IGNITION TRANSFORMER TC1SVCS 560mm	•	•
7	EA05-0077	HIGH-VOLTAGE CABLE FAST.F4 - 870	•	•
8	AC31-3300	TIE TUBE STAINLESS STEEL 40 kW	•	•
9	AX31-0011	GAS SUPPLY SEAL	•	•
10	EA05-0055	CABLE SIT 84xSIGMA 1150mm	•	•
11	ZA12-0003	GAS VALVE 07	•	•
12	AX31-0043	SEAL Milam PSS 130	•	•
13	AA31-0011	HOSE VALVE/MIXER 4x2,5 (300 mm)	•	•
14	AC31-4000	GAS COMBUSTION CHAMBER 2011	•	•

Note:

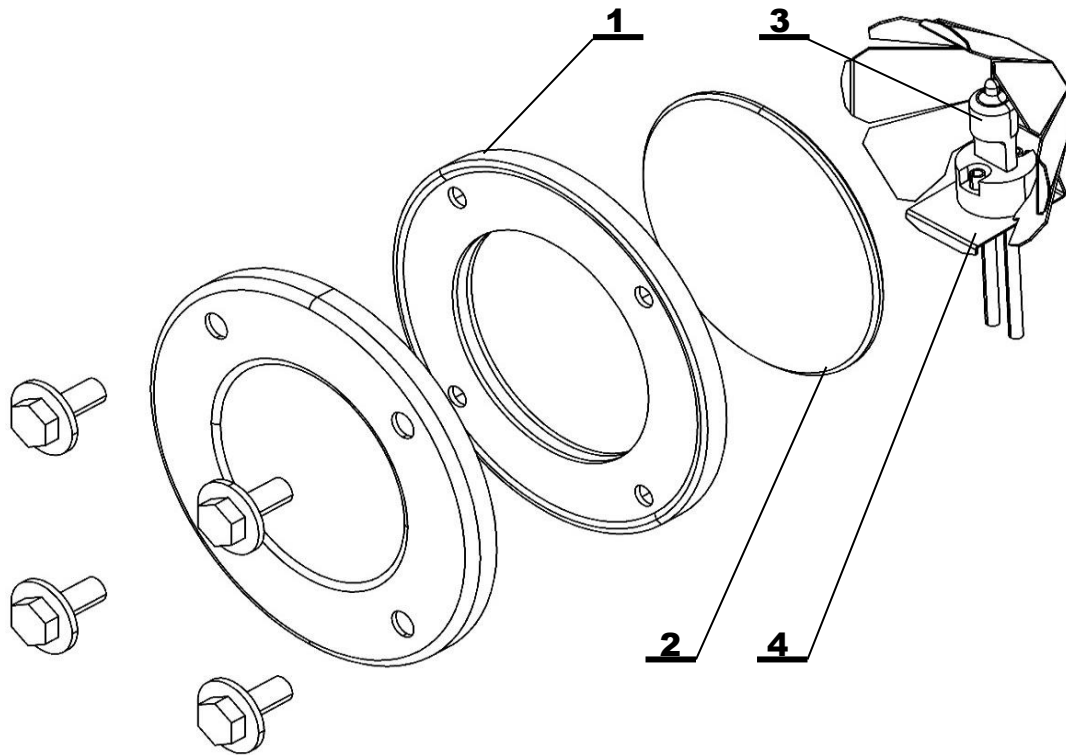
## GAS BURNER



Position	Code	Name	For type of combi oven	
			B2011IG	O2011IG
1	ZA22-0003	BURNER 38kW	•	•
2	ZA13-3040	GLASS TAPE	•	•
3	AP31-0100	BURNER SEAL FORM	•	•
4	AC31-0903	IGNITION ELECTRODE	•	•
5	AX31-0044	GRAPHITE SEAL	•	•
6	AX31-0011	GAS SUPPLY SEAL	•	•
7	ZA22-0153	FLAME SENSOR	•	•
8	AX31-0045	GRAPHITE SEAL	•	•
9	KP31-0139	METAL PAD UNDER THE BURNING CHAMBER 2011	•	•
10	KP31-0144	BORDER FOR AP31-0139	•	•

Note:

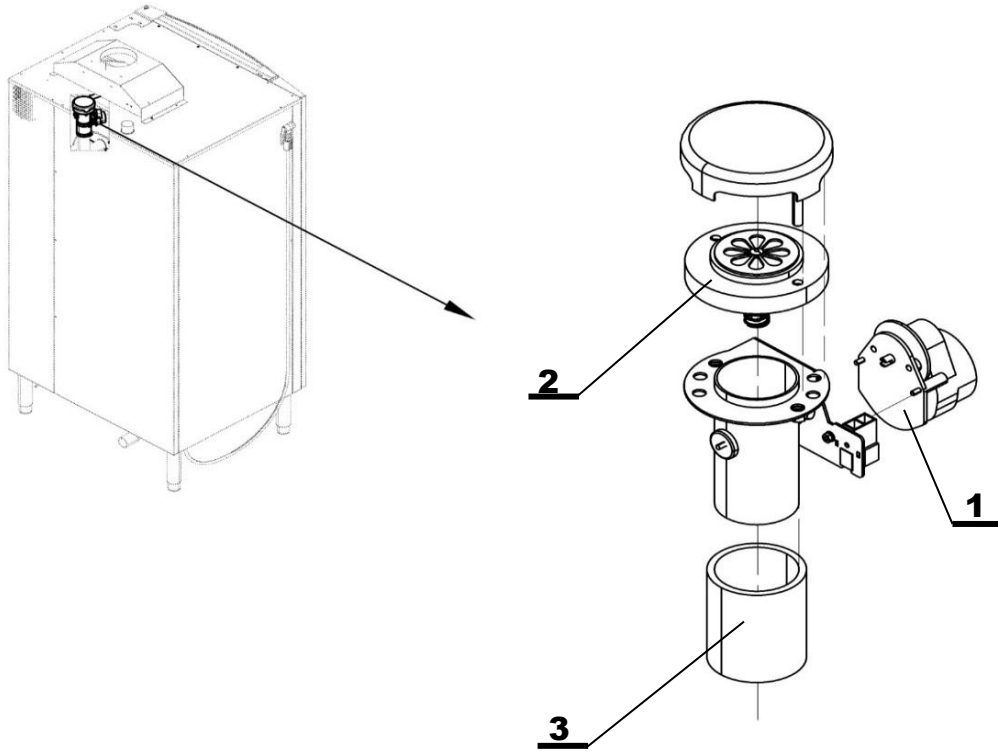
## LIGHT



Position	Code	Name	For type of combi oven	
			B2011IG	O2011IG
1	AX07-0005	LIGHT SEAL VISION	•	•
2	AX07-0004	GLASS PLATE	•	•
3	EA13-0100	HALOGEN LAMP	•	•
4	AC07-0200	REFLECTOR WITH LAMP HOLDER	•	•

**Note:** AC07-0200: Reflector + Lamp Base + Cables

## FLAP VALVE

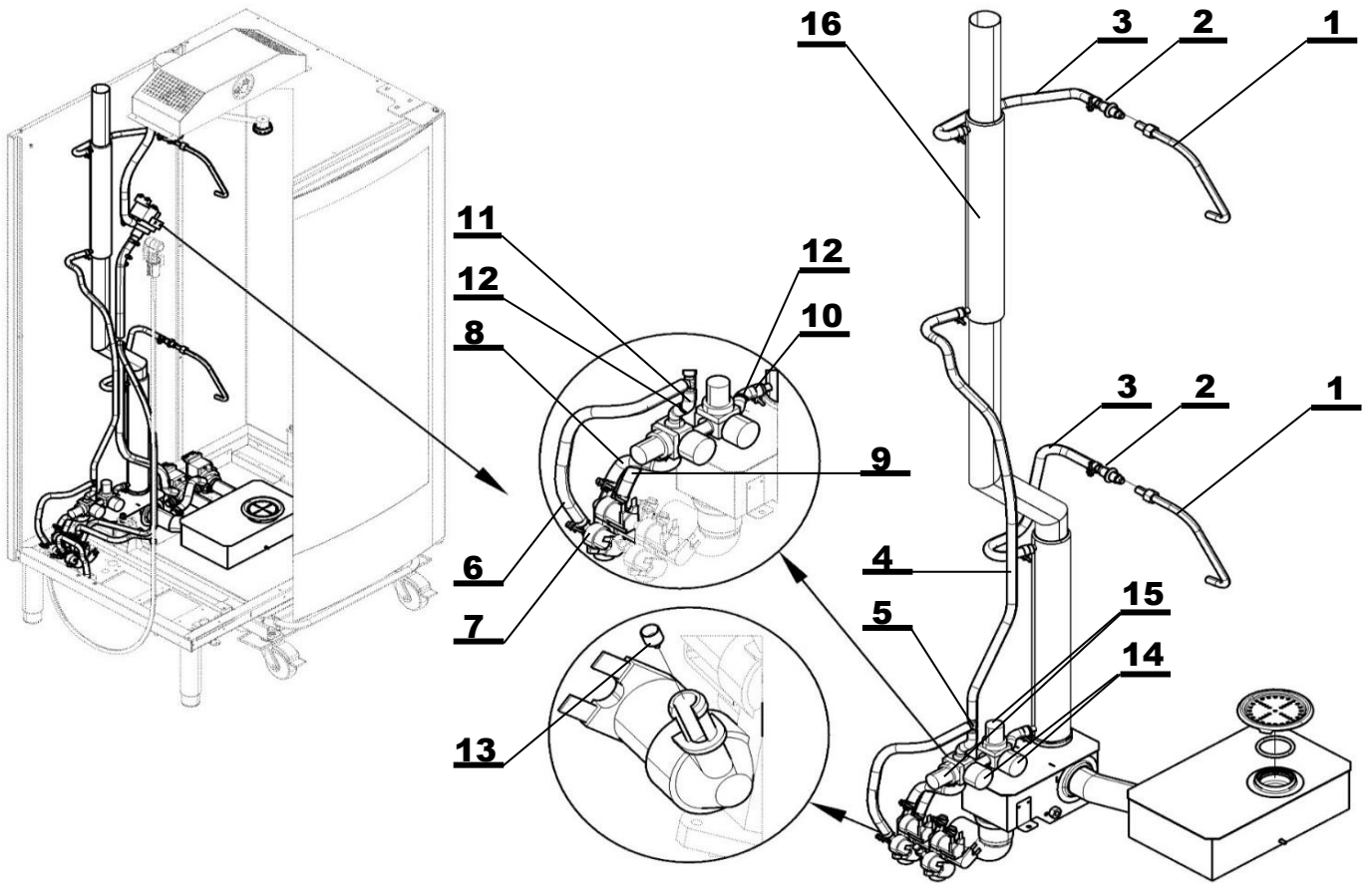


Position	Code	Name	For type of combi oven	
			B2011IG	O2011IG
1	EA11-0012	MOTOR + SWITCH (since 1. 1. 2010)	•	
2	AC25-0105	PLUG	•	
3	AT00-0006	FLAP VALVE HOSE DA6	•	

Note:

1+2+3	AC25-0100	FLAP VALVE COMPLETE	•	
-------	-----------	---------------------	---	--

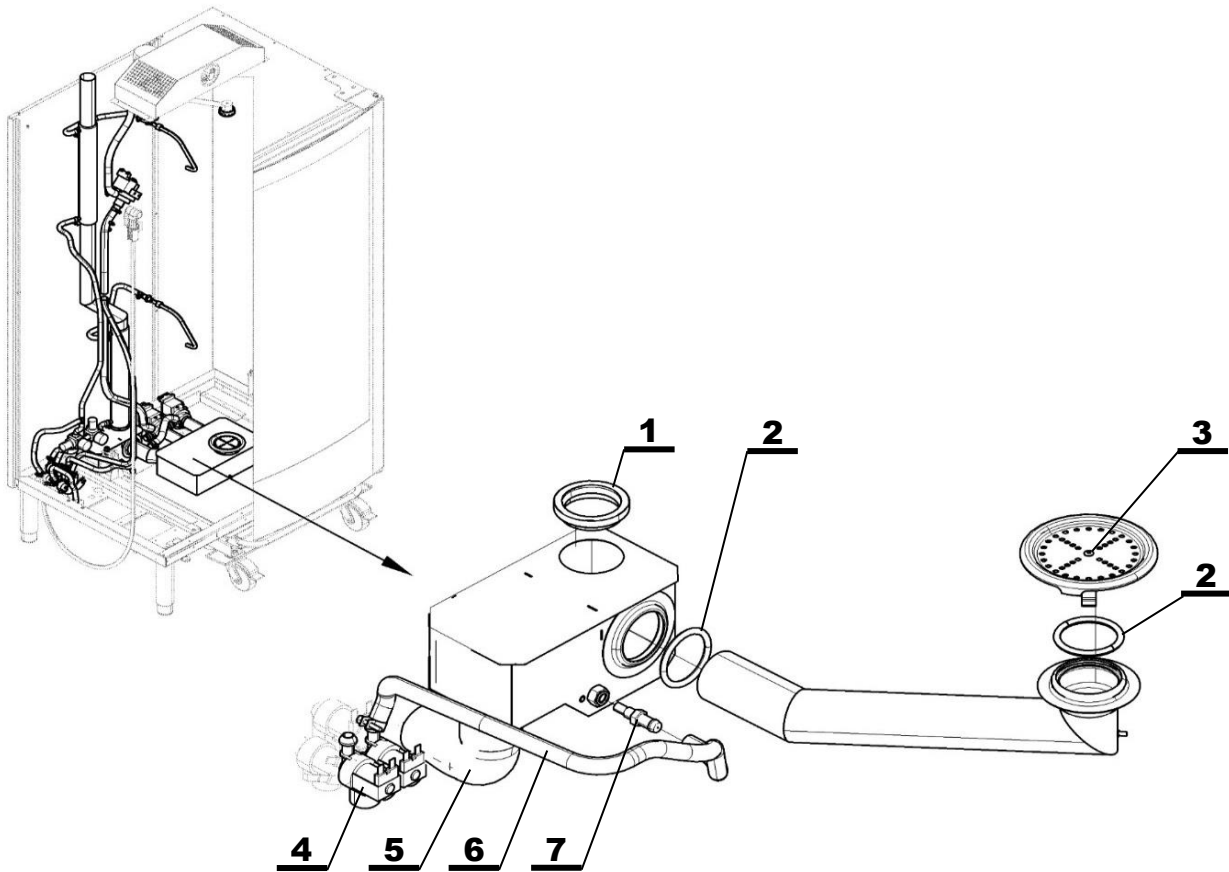
## WATER DISTRIBUTION SYSTEM INJECTION



Position	Code	Name	For type of combi oven	
			B2011IG	O2011IG
1	AC12-0900	INJECTION PIPE VISION 1221	•	•
2	AC00-2500	BUSHING	•	•
3	AT24-0022	HOSE 10x3,6 - 400mm	•	•
4	AT32-0015	HOSE 10x3,6 - 840	•	•
5	ZA10-0553	T-FITTING T-TS 10 mm	•	•
6	AA26-0107	HOSE 10x3,6 - 320		•
7	EA12-0056	TRIPLE SOLENOID VALVE	•	•
8	AA26-0104	HOSE 10x3,6 - 90	•	•
9	AA26-0104	HOSE 10x3,6 - 90	•	•
10	AA26-0111	HOSE 10x3,6 - 195	•	•
11	AA26-0104	HOSE 10x3,6 - 90	•	•
12	AT00-0056	NOZZLE 07	•	•
13	EA12-0303	REDUCTION NOZZLE	•	•
14	ZA12-0401	MANOMETER 0-1bar, WIKA	•	•
15	ZA12-0201	WATER REDUCTING VALVE	•	•
16	AC05-2700	CHIMNEY 2011 Vision - GAS	•	•

Note:

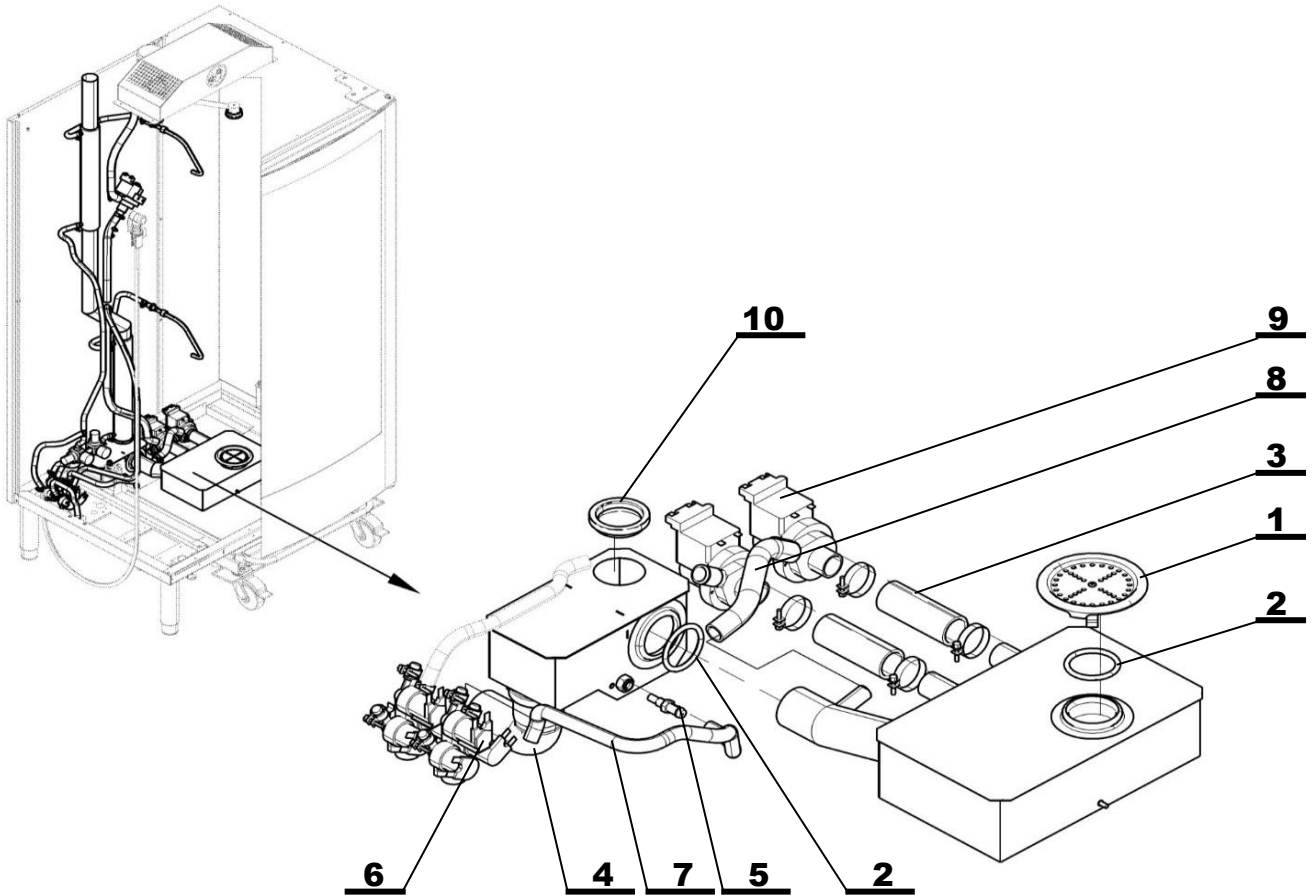
## DRAINAGE SYSTEM ORANGE



Position	Code	Name	For type of combi oven	
			B2011IG	O2011IG
1	AX04-0002	SEAL $\varnothing$ 50		•
2	ZA13-1549	O-RING		•
3	AC02-2202	DRAIN CAP		•
4	EA12-0050	DOUBLE SOLENOID VALVE		•
5	ZA10-0002	DRAIN PIPE ELBOW HT50		•
6	AA26-0100	HOSE 10x3,6 - 440		•
7	AT01-0013	NOZZLE		•

Note:

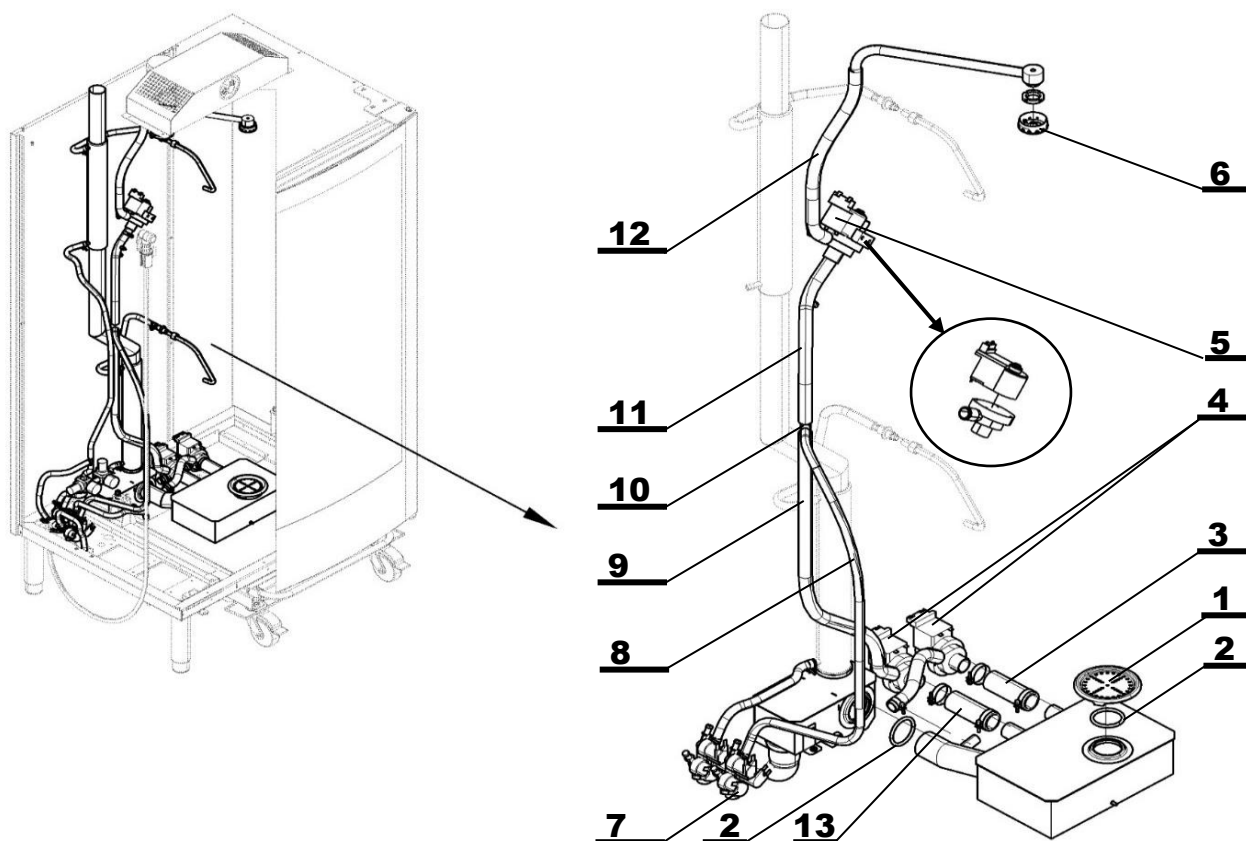
## DRAINAGE SYSTEM BLUE



Position	Code	Name	For type of combi oven	
			B2011IG	O2011IG
1	AC02-2202	DRAIN CAP	•	
2	ZA13-1549	O-RING	•	
3	AA00-0030	HOSE 70 mm BLACK	•	
4	ZA10-0002	DRAIN PIPE ELBOW HT50	•	
5	AT01-0013	NOZZLE	•	
6	EA12-0056	TRIPLE SOLENOID VALVE	•	
7	AA26-0100	HOSE 10x3,6 - 440	•	
8	AA26-0153	HOSE 16/22 - 200	•	
9	EA12-0001	PUMP	•	
10	AX04-0002	SEAL ø 50	•	

Note:

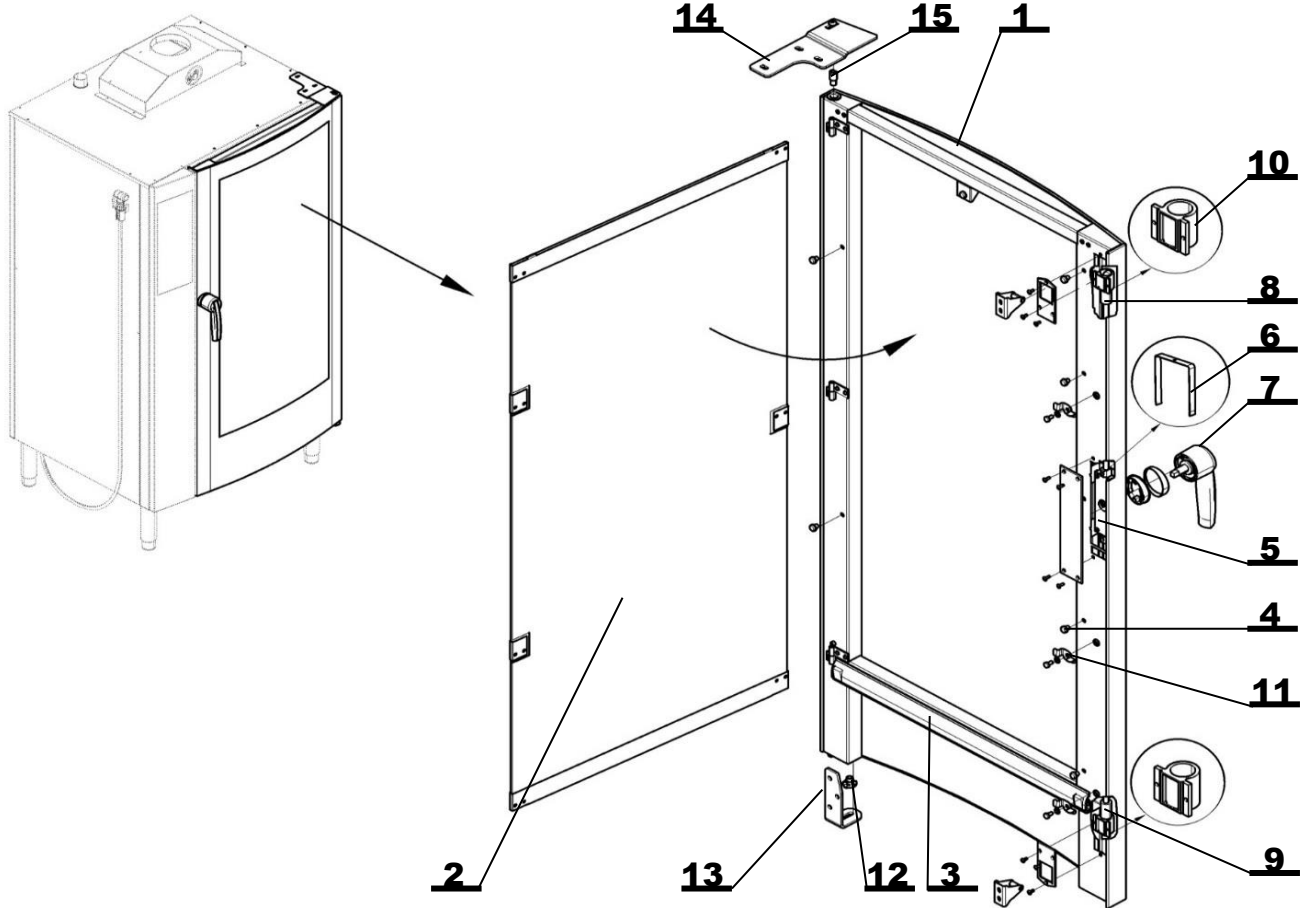
## AUTOMATIC CLEANING SYSTEM



Position	Code	Name	For type of combi oven	
			B2011IG	O2011IG
1	AC02-2202	DRAIN CAP	•	
2	ZA13-1549	O-RING	•	
3	AT00-0006	FLAP VALVE HOSE DA6	•	
4	EA12-0001	PUMP	•	
5	EA12-0001	PUMP	•	
	ZA14-0105	PUMP COVER	•	
6	AA32-0050	CLEANING NOZZLE	•	
7	EA12-0056	TRIPLE SOLENOID VALVE	•	
8	AT26-0012	HOSE VALVE-RED. VALVE	•	
9	AA26-0158	HOSE 16/22 - 750 SILIKON	•	
10	ZA10-0556	T-FITTING TRS 18-10-18	•	
11	AA26-0157	HOSE 16/22 - 450	•	
12	AA26-0155	HOSE 16/22 - 500	•	
13	ZA11-0901	CONNECTING HOSE PUMP-BOILER	•	

Note:

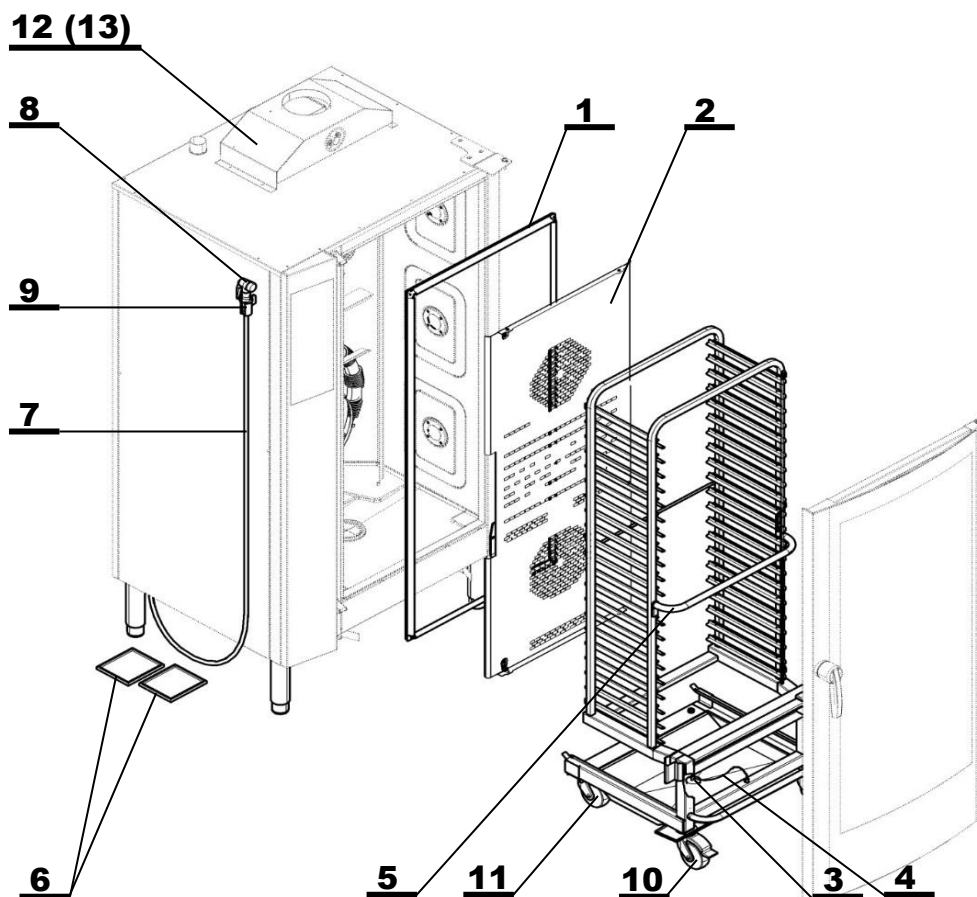
## DOOR VISION



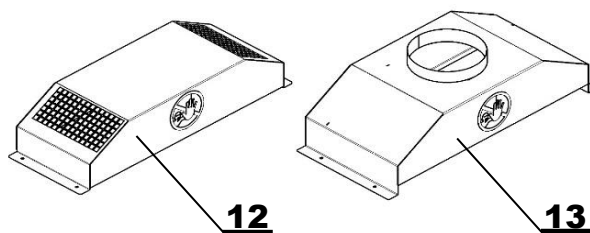
Position	Code	Name	For type of combi oven	
			B2011IG	O2011IG
1	AC03-3500	DOOR 20 - 07 VISION COMPLETE	•	•
2	AC03-3501	INNER GLASS 20 - 07 VISION	•	•
3	AX03-0078	DOOR SEAL 20,1221 TROLEY-VISION	•	•
4	AX03-0076	WINDOW STOP	•	•
5	AC08-0201	MECHANISM DA 20	•	•
6	AC08-0208	SPRING	•	•
7	AC08-0600	HANDLE 20, 1221 Vision	•	•
8	AC08-0602	UPPER ROD	•	•
9	AC08-0603	LOWER ROD	•	•
10	AT08-0049	BUSH	•	•
11	AP03-0138	HOLDER	•	•
12	AX00-0028	LOWER HINGE PIN	•	•
13	AP00-0161	BOTTOM HINGE 20, 12	•	•
14	AP00-0157	UPPER HINGE 20, 12	•	•
15	AT00-0053	PIN	•	•

Note:

## ACCESSORIES



Position	Code	Name	For type of combi oven	
			B2011IG	O2011IG
1	AX00-0038	DOOR SEAL 2011,2021 VISION	•	•
2	AC14-2900	INNER WALL 2011 GAS - VISION (SINCE 2012)	•	•
3	ZG00-0003	TROLLEY PLUG	•	•
4	ZG00-0004	CHAINLET	•	•
5	AC99-0102	HANDRAIL	•	•
6	ZA17-0010	AIR FILTER VISION	•	•
7	ZA11-0902	RUBBER HOSE FOR SHOWER 1,6m	•	•
8	ZA15-0100	SHOWER KLARCO	•	•
9	AT00-0002	SHOWER HOLDER KLARCO	•	•
10	ZA16-0003	WHEEL	•	•
11	ZA16-0004	WHEEL WITH BRAKE	•	•



12	AP31-0110	DRAUGHT INTERRUPTER (A3)	•	•
13	AC31-2800	DRAUGHT INTERRUPTER B13 (CHIMNEY)	•	•

**Note:** Items (12) and (13) can be ordered only after consultation with RETIGO service manager



retigo®  
*Mision*

RETIGO s.r.o.  
Láň 2310, PS43  
756 64 Rožnov pod Radhoštěm  
email: [service@retigo.com](mailto:service@retigo.com)  
tel.: +420 571 665 561