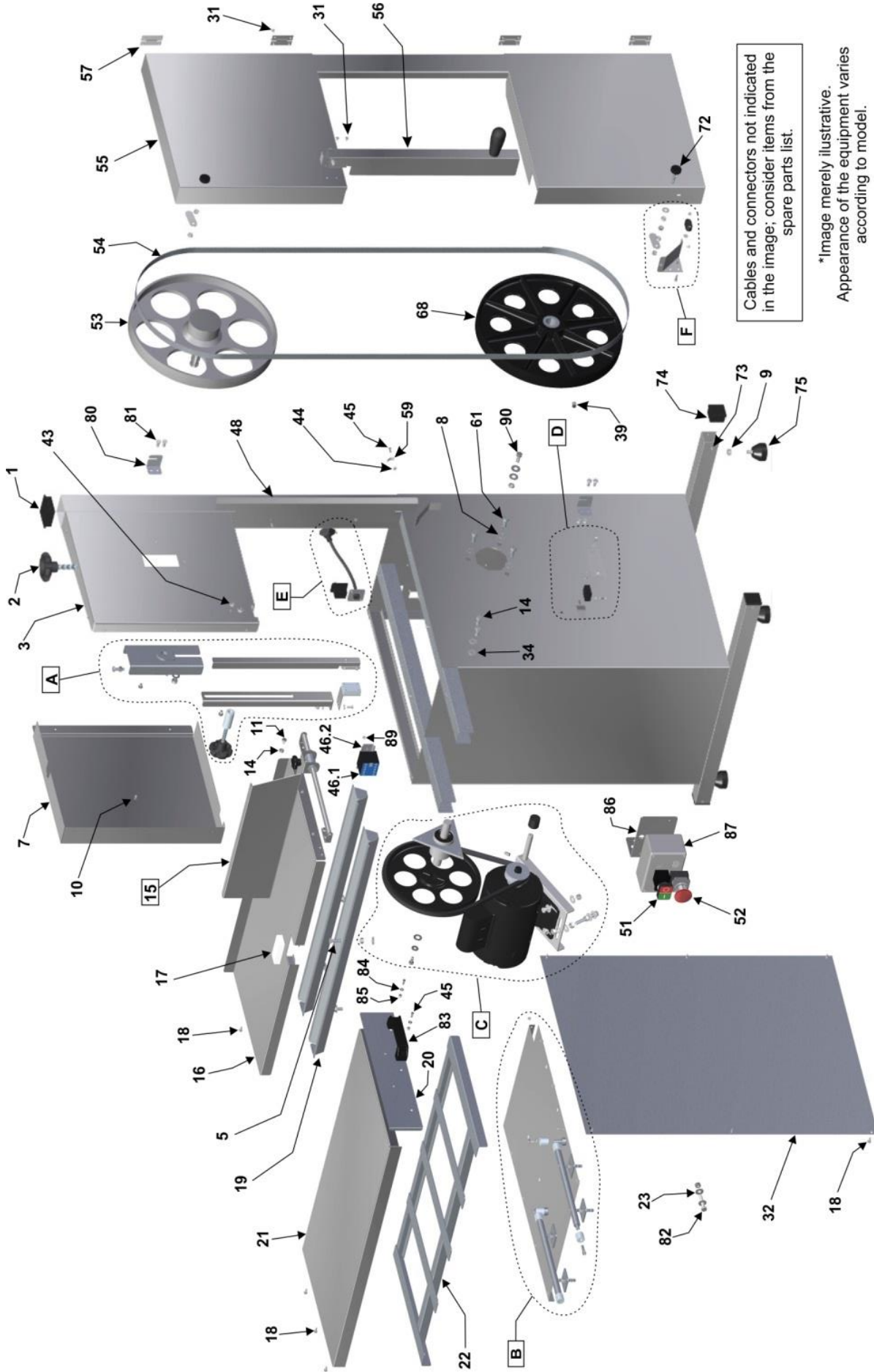


Explosion Design

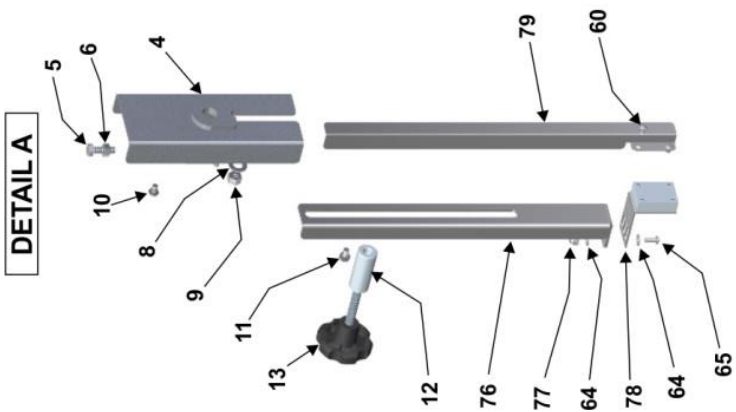


Cables and connectors not indicated in the image; consider items from the spare parts list.

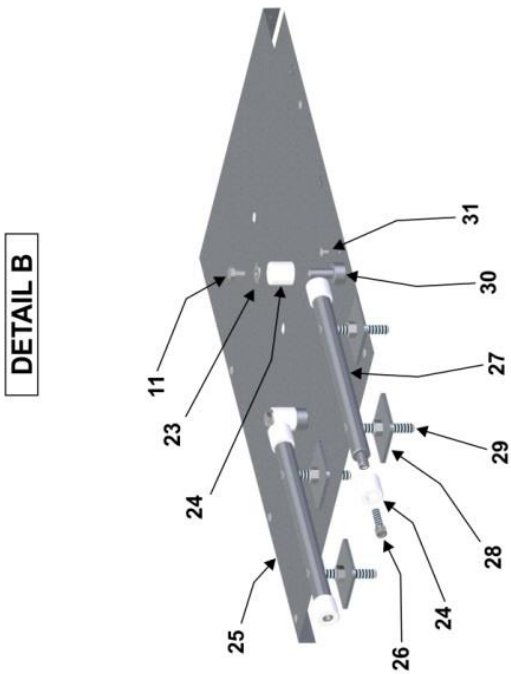
*Image merely illustrative. Appearance of the equipment varies according to model.

Explosion Design

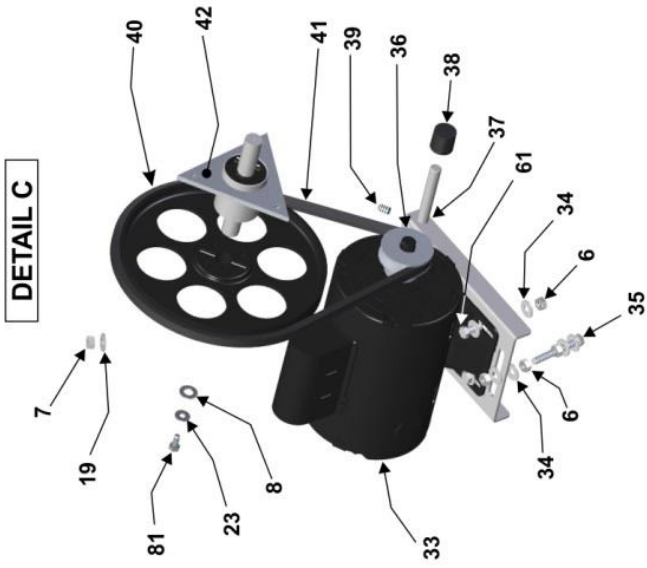
DETAIL A



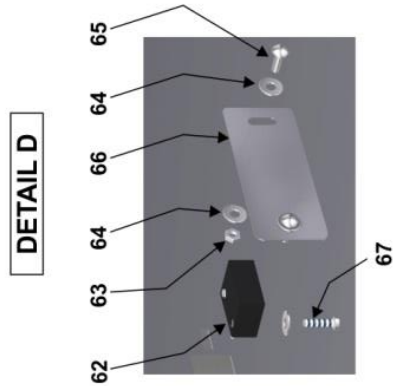
DETAIL B



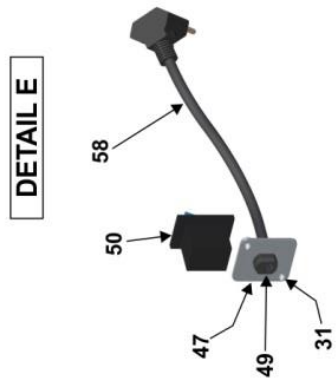
DETAIL C



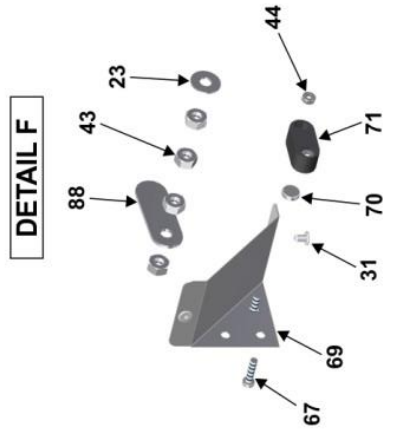
DETAIL D



DETAIL E



DETAIL F



15

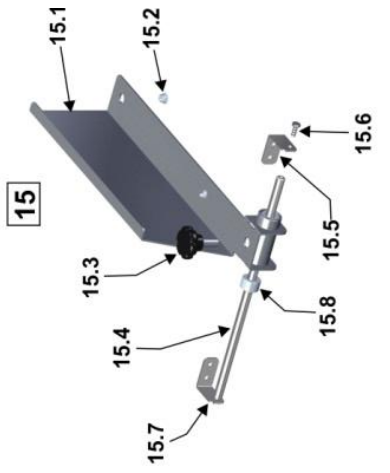


Image merely illustrative. Appearance of the equipment varies according to model/DETAIL

Replacement parts

Position	Code	Description	Qty.	Model
1	SPT005	Shoe	01	SFMIM
	SPT007		01	SFGIM
2	MNL047	Stainless Steel Handle	01	SFMIM
	MNL027		01	SFGIM
3	MON034	Monoblock - SFMIM	01	SFMIM
	MON037	Monoblock - SFGIM	01	SFGIM
4	ESC024	Welded Blade Extender - SFMIM	01	SFMIM
	ESC026	Welded Blade Extender - SFGIM	01	SFGIM
5	PRS021	Stainless Steel Hexagonal Screw	05	*
6	POS013	Stainless Steel Hexagonal Nut	24	SFMIM
			26	SFGIM
7	TAP124	Upper Back Cover - SFMIM	01	SFMIM
	TAP117	Upper Back Cover - SFGIM	01	SFGIM
8	ARL012	Stainless Steel Flat Washer	02	SFMIM
			01	SFGIM
9	POS015	Stainless Steel Hexagonal Nut	05	*
10	PRS332	Stainless Steel Hexagonal Screw	04	SFMIM
	PRR023	Round Stainless Steel Machine Screw	02	SFGIM
11	PRS328	Stainless Steel Hexagonal Screw	05	SFMIM
			09	SFGIM
12	BTT021	Stop Knob Blade Guard	01	*
13	MNL048	Stainless Steel Handle	01	*
14	POS020	Stainless Steel Hexagonal Nut	04	SFMIM
			06	SFGIM
15	CJT732	Set Cutting Regulator - SFMIM	01	SFMIM
	CJT735	Set Cutting Regulator - SFGIM	01	SFGIM
15.1	CRC992	Cutting Board - SFMIM	01	SFMIM
	CJT734	Set Sold. Cutting Board - SFGIM	01	SFGIM
15.2	TVS005	Round Spigot	02	*
15.3	MNL029	Stainless Steel Handle	01	*
15.4	GIA085	Cutting Regulator Manual - SFMIM	01	SFMIM
	GIA065	Cutting Regulator Manual - SFGIM	01	SFGIM
15.5	SBT371	Cutting Regulator Left guide Support SFMIM	02	SFMIM
	SBT372	Cutting Regulator Guide Support - SFGIM	02	SFGIM
15.6	PRS045	Stainless Steel Hexagonal Screw	02	SFMIM
	PRS031	Stainless Steel Hexagonal Screw	02	SFGIM
15.7	SBT370	Cutting Regulator Right Guide Support	02	SFMIM
	SBT372	Cutting Regulator Guide Support - SFGIM	02	SFGIM
15.8	CJT880	Set Cutting Regulator Bushing - SFMIM Guide	01	SFMIM
	BGT008	Cutting Regulator Bushing - SFGIM Guide	02	SFGIM
16	MSA013	Dotted Fixed Table - SFMIM	01	SFMIM
	MSA014	Dotted Fixed Table - SFGIM	01	SFGIM
17	TCM002	Taco Table - SFMIM	01	SFMIM
	TCM001	Taco Table - SFGIM	01	SFGIM
18	PRA014	Locking Screw. Hex Stainless Steel	22	SFMIM
			15	SFGIM
19	AMP081	Fixed Support Table - SFMIM	02	SFMIM
	AMP087	Fixed Support Table - SFGIM	02	SFGIM
20	SBT419	Push Stick Holder - SFGIM	01	SFGIM
21	MEM030	Mobile Table Board - SFMIM	01	SFMIM
	MEM038	Mobile Table Board - SFGIM	01	SFGIM
22	TRS017	Double Rail - SFMIM	01	SFMIM
	TRS019	Double Rail - SFGIM	01	SFGIM
23	ARL010	Stainless Steel Flat Washer	09	*
24	ROD035	Bearing	06	*
25	PTC135	Cabinet Guard - SFMIM	01	SFMIM
	PTC140	Cabinet Guard - SFGIM	01	SFGIM
26	PRT028	Screw Allen w/ Head	04	*

* Item applicable for all saw blade models described in this manual.

Replacement parts

Position	Code	Description	Qty.	Model
27	EIX209	Bearing Support Axle - SFMIM	02	SFMIM
	EIX217	Bearing Support Axle - SFGIM	02	SFGIM
28	CRC409	Regulating Board of the Mobile Table	04	*
29	TRT016	Stainless Steel Strap	04	*
30	BTT030	Mobile Table Guide Stop - SFGIM	02	*
31	RBT014	Stainless Steel Rivet	32	SFMIM
			35	SFGIM
32	TAP029	Back Cover - SFMIM	01	SFMIM
	TAP027	Back Cover - SFGIM	01	SFGIM
33	MTE028	Electric Motor 1 HP 50 Hz 220 V	01	SFMIM
	MTE029	Electric Motor 1.5 HP 50 Hz 220 V	01	SFGIM
	MTE192	Electric Motor 1.5 HP 60 Hz 110 V	01	SFGIM
34	ARL011	Stainless Steel Flat Washer	27	SFMIM
			28	SFGIM
35	PRS327	Stainless Steel Hexagonal Screw	01	*
36	PMT014	Motor Pulley	01	*
37	CJT533	Welded Motor Support - SFMIM	01	SFMIM
	CJT534	Welded Motor Support - SFGIM	01	SFGIM
38	BCH073	Motor Support Cushion	02	*
39	PRN001	Allen Screw	04	SFMIM
			05	SFGIM
40	POL031	Pulley - SFMIM	03	SFMIM
	POL013	Pulley - SFGIM	01	SFGIM
41	COR002	Belt - SFMIM	01	SFMIM
	COR001	Belt- SFGIM	01	SFGIM
42	CJT884	Full Bearing - SFMIM	01	SFMIM
	CJT375	Full Bearing - SFGIM	01	SFGIM
43	POS021	Stainless Steel Hexagonal Nut	14	SFMIM
			17	SFGIM
44	POS138	Stainless Steel Hexagonal Nut	05	*
45	PCC006	Screw Stainless Steel Cylinder Head	01	SFMIM
			03	SFGIM
46	CJE022	Set Electrical Kit Seg. Simple 220 V	01	SFMIM
	CJE133	Set Electrical Kit Seg. Simple 220 V	01	SFGIM 220 V
	CJE134	Set Electrical Kit Seg. Simple 110 V	01	SFGIM 110 V
46.1	CNT013	Minicontactor 110 V 50/60 Hz	01	SFGIM 110 V
	CNT019	Minicontactor 220 V 50/60 Hz	01	SFMIM / SFGIM 220 V
46.2	TRS051	Minicontactor Support Rail	01	*
47	SBT360	Sup. Press Cable TCE021	01	SFMIM / SFGIM 220 V
	SBT361	Sup. Print Cable TCE022	01	SFGIM 110 V
48	CRC524	Collar - SFMIM	01	SFMIM
	CRC521	Collar - SFGIM	01	SFGIM
49	TCE021	Print Cable	01	SFMIM / SFGIM 220 V
49	TCE022	Print Cable	01	SFGIM 110 V
50	CHE016	General Key	01	*
51	BOT002	On/Off Switch	01	*
52	BOT003	Emergency Button	01	*
53	CJT376	Superior Full Steering Wheel - SFMIM	01	SFMIM
	CJT378	Full Front Wheel - SFGIM	01	SFGIM
54	SFL019	Bandsaw Blade - SFMIM	01	SFMIM
	SFL020	Bandsaw Blade - SFGIM	01	SFGIM
55	CJT745	Welded Door	01	SFMIM
	CJT817	Welded Door - SFGIM	01	SFGIM
56	EPR024	Pendulum Pusher - SFMIM	01	SFMIM
	EPR025	Pendulum Pusher - SFGIM	01	SFGIM
57	DBC004	Stainless Steel Hinge - SFMIM	04	SFMIM
	DBC003	Stainless Steel Hinge - SFGIM	04	SFGIM
58	CBE002	Electrical Cable - Type 4	01	SFGIM 110 V
58	CBE175	Type 7 Electric Cable	01	SFMIM / SFGIM 220 V
59	TCE007	Terminal Grounding	01	*

* Item applicable for all saw blade models described in this manual.

Replacement parts

Position	Code	Description	Qty.	Model
60	PRR017	Round Stainless Steel Machine Screw	02	*
61	PRS030	Stainless Steel Hexagonal Screw	03	SFMIM
	PRS023	Stainless Steel Hexagonal Screw	03	SFGIM
62	CHE051	Safety Sensor	01	*
63	POS016	Stainless Steel Hexagonal Nut	04	*
64	ARL008	Stainless Steel Flat Washer	12	*
65	PRR022	Mac. Screw Round	03	*
66	SUD023	Dotted Sensor Support	01	*
67	PCC012	Screw	04	*
68	VOL009	Lower Steering Wheel - SFMIM	01	SFMIM
	VOL006	Lower Steering Wheel - SFGIM	01	SFGIM
69	CRC707	Actuator Support Guard	01	*
70	CHE059	Actuator	01	*
71	SBT132	Actuator Support	01	*
72	MNL056	Handle	02	*
73	RBT001	Rivet	08	*
74	SPT001	Plastic Shoe	04	*
75	PEP019	Rubber Foot	04	*
76	GIA046	Blade Guide - SFMIM	01	SFMIM
	GIA051	Blade Guide - SFGIM	01	SFGIM
77	POC005	Stainless Steel Nut	01	*
78	CJT576	Taco Set Blade Guide	01	*
79	PTC055	Blade Guard - SFMIM	01	SFMIM
	PTC066	Blade Guard - SFGIM	01	SFGIM
80	FCH013	Door Lock	02	*
81	PRS031	Stainless steel hexagonal screw	05	*
82	PRA009	Locking screw. Hex Broc. Stainless Steel	09	*
83	ACA009	Plastic Strap / Hook	01	*
84	ARL014	Flat Washer	02	*
85	POC008	Stainless Steel Nut	02	*
86	SUD041	Safety Kit Support	01	*
87	CXE008	Plastic Case Safety Kit	01	*
88	AMP050	Closing Support	02	*
89	RBT016	Rivet	02	SFMIM
89	RBT014	Rivet	02	SFGIM
90	PRS045	Stainless steel hexagonal screw	02	SFMIM
91	CBE027	Electric cable.	01	*
92	CBE033	Cable Splicing	01	*
93	TCE004	Terminal FIT	04	*
94	TCE008	Splicing Terminal	04	*

* Item applicable for all saw blade models described in this manual.