

**MONDIAL
FORNI**

MF

Rotor Techno 2.0






4676 - 6080 - 80100 - 80120

MONDIAL FORNI S.p.A.
Via dell'Electronica, 1
37139 Verona, ITALIA
tel. +39 045 8182511
fax +39 045 8510016
www.mondialforni.com

LTEC-2-RIC1

(rev 02-2023)



-  **Catalogo ricambi**
-  **Spare parts catalogue**
-  **Catalogue des pièces détachées**
-  **Ersatzteilenliste**
-  **Catálogo de las pieza de repuesto**

**ISTRUZIONI PER LA
COMPILAZIONE DEL
MODULO D'ORDINE**

- 1 Il numero di matricola del forno
- 2 Modello
- 3 L'edizione (ED) e l'eventuale revisione (Rev) del "Catalogo Ricambi"
- 4 Il numero della tavola illustrativa del catalogo
- 5 La posizione del particolare nella tavola
- 6 Il codice del particolare
- 7 La quantità richiesta

**INSTRUCTIONS ON HOW
TO FILL OUT THE ORDER
FORM**

- 1 Owen Serial Number
- 2 Model
- 3 Edition (ED) and Revision, if applicable (Rev) of the "Spare Parts Catalogue"
- 4 Number of illustration table of the catalogue
- 5 Position of the part in the table
- 6 Part number
- 7 Quantity Requested

**INSTRUCTIONS POUR
REEMPLIR LE BON DE
COMMANDE**

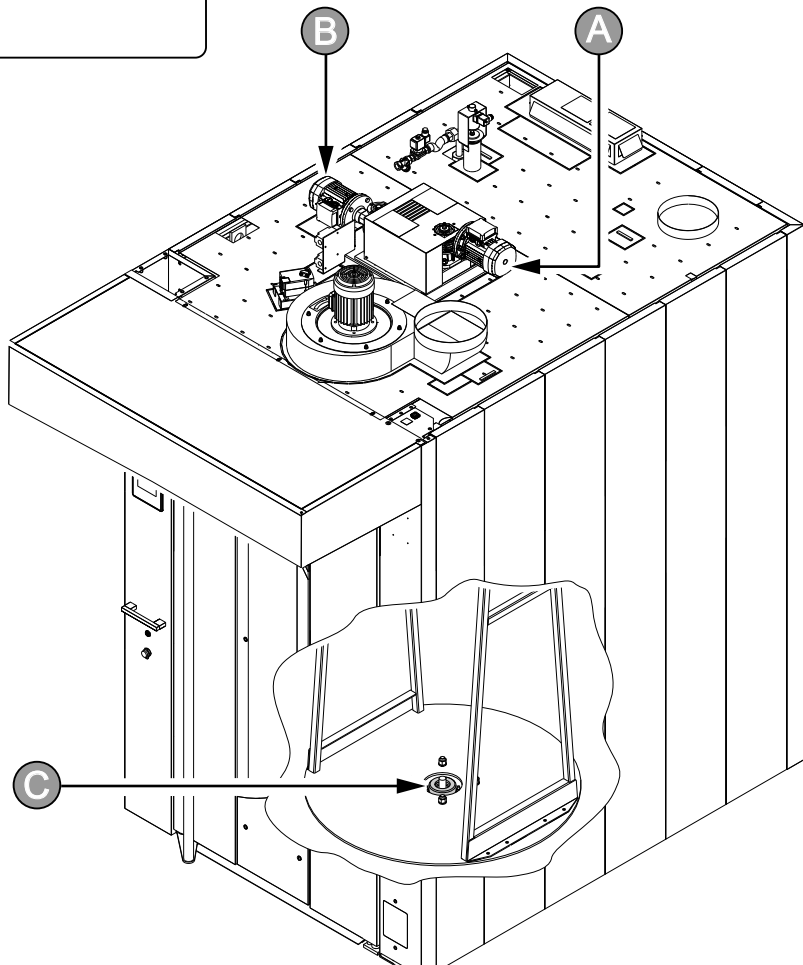
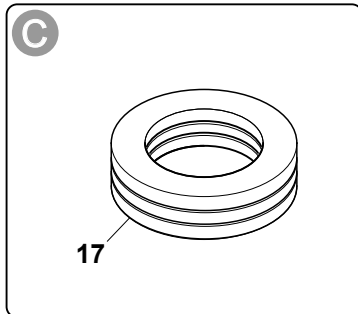
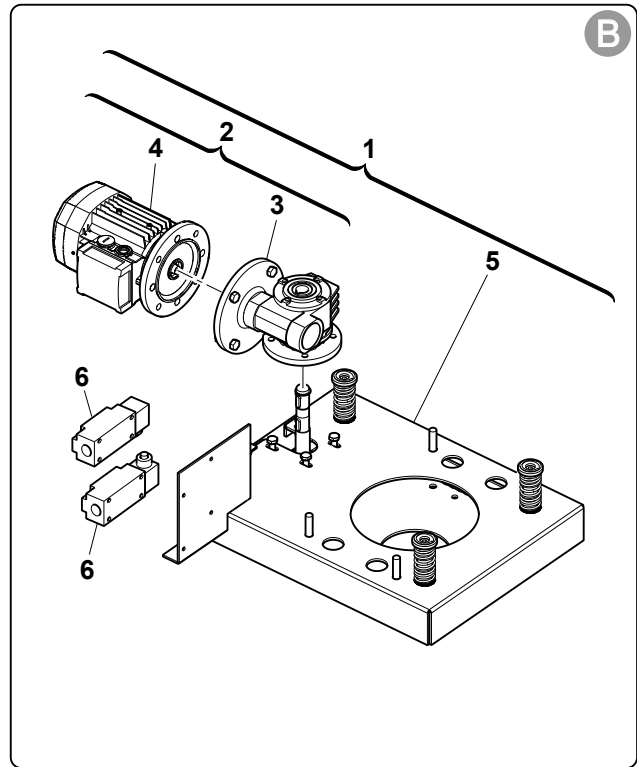
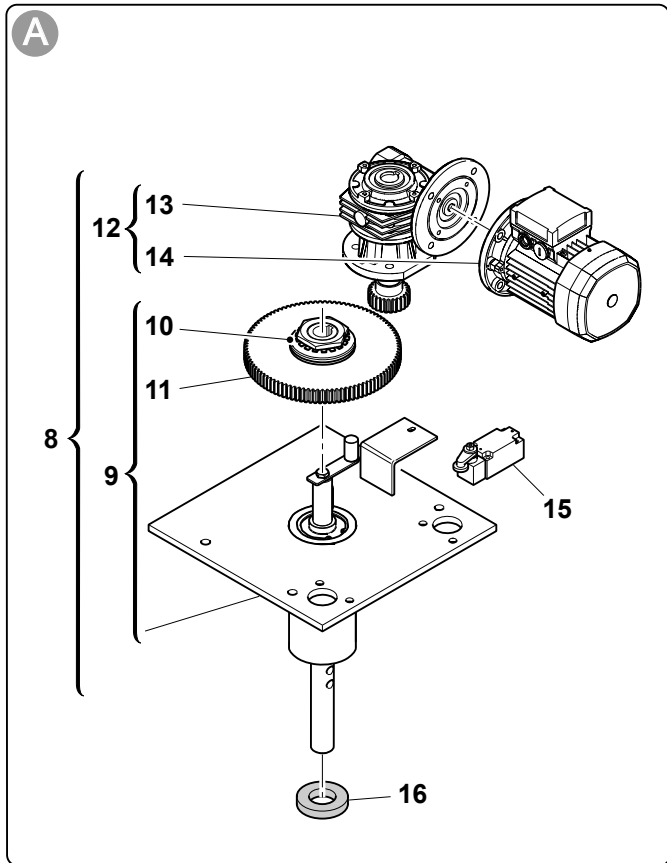
- 1 Le numéro de série de four
- 2 Modèle
- 3 L'édition (ED) et la révision éventuelle (Rev) du « Catalogue des pièces détachées »
- 4 Le numéro du schéma du catalogue
- 5 La position de la pièce sur le schéma
- 6 Le code de la pièce
- 7 La quantité demandée

**ANLEITUNG ZUM
AUSFÜLLEN DER
BESTELLUNG**

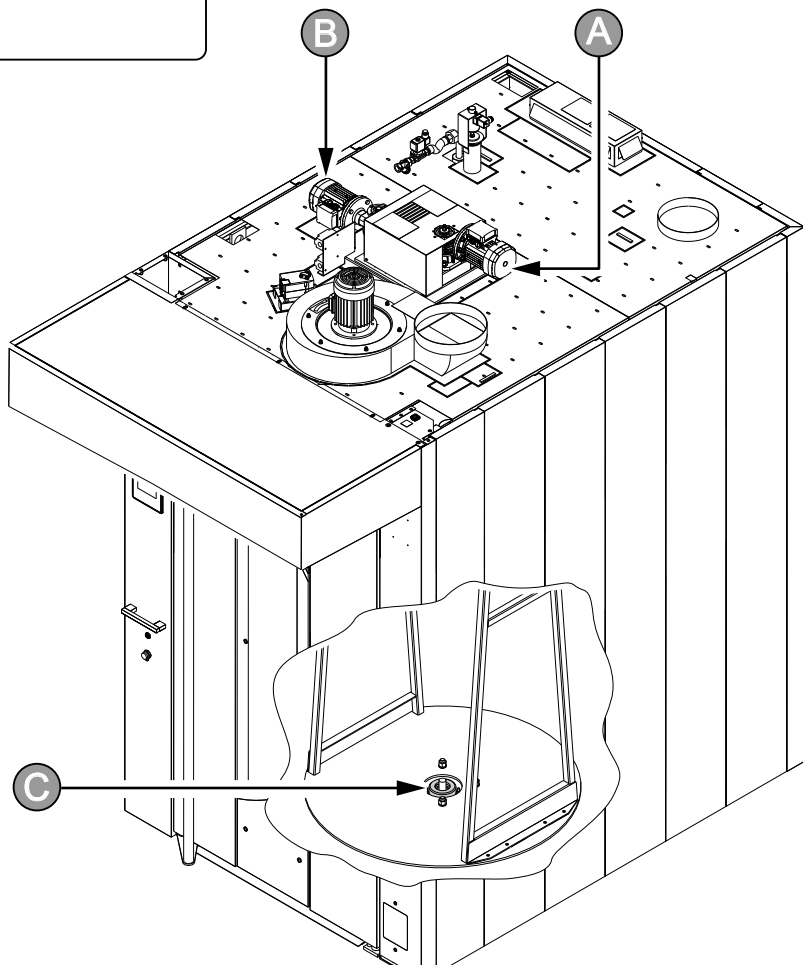
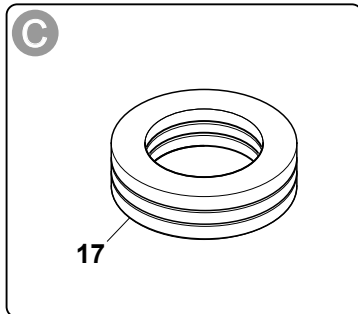
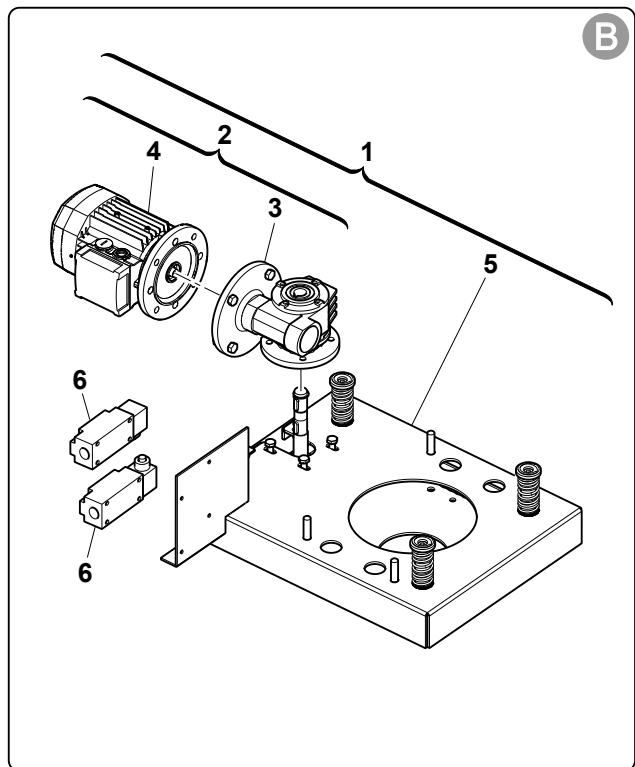
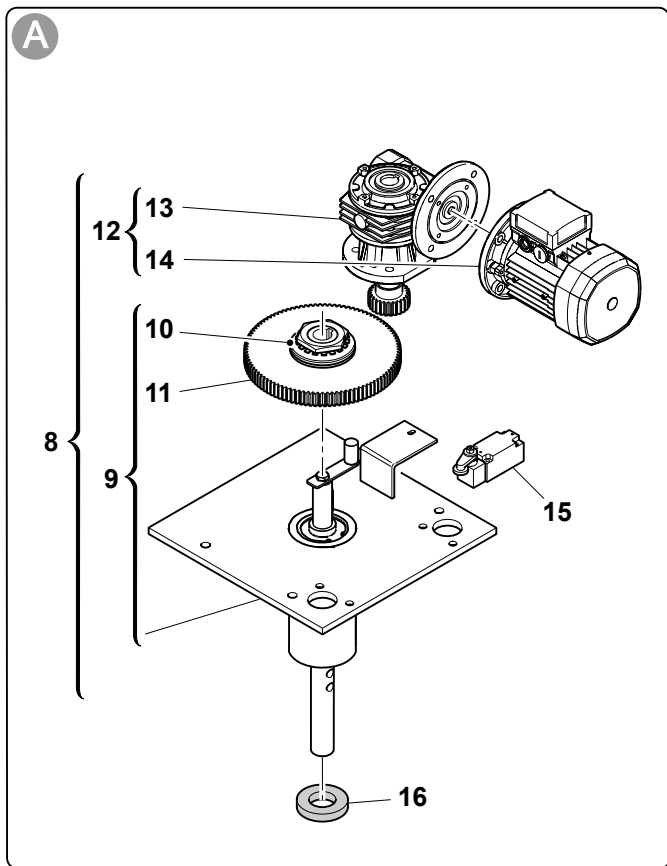
- 1 Die Seriennummer der Elektrobackofen
- 2 Modell
- 3 Die Ausgabe (ED) und einer Überarbeitung (Rev) der „Ersatzteile“
- 4 Die Nummer der anschaulichen Tabelle im Katalog
- 5 Die Position der jeweiligen in der Tabelle
- 6 Der Code des jeweiligen
- 7 Die erforderliche Menge

**INSTRUCCIONES PARA
LLENAR EL FORMULARIO
DE SOLICITUD**

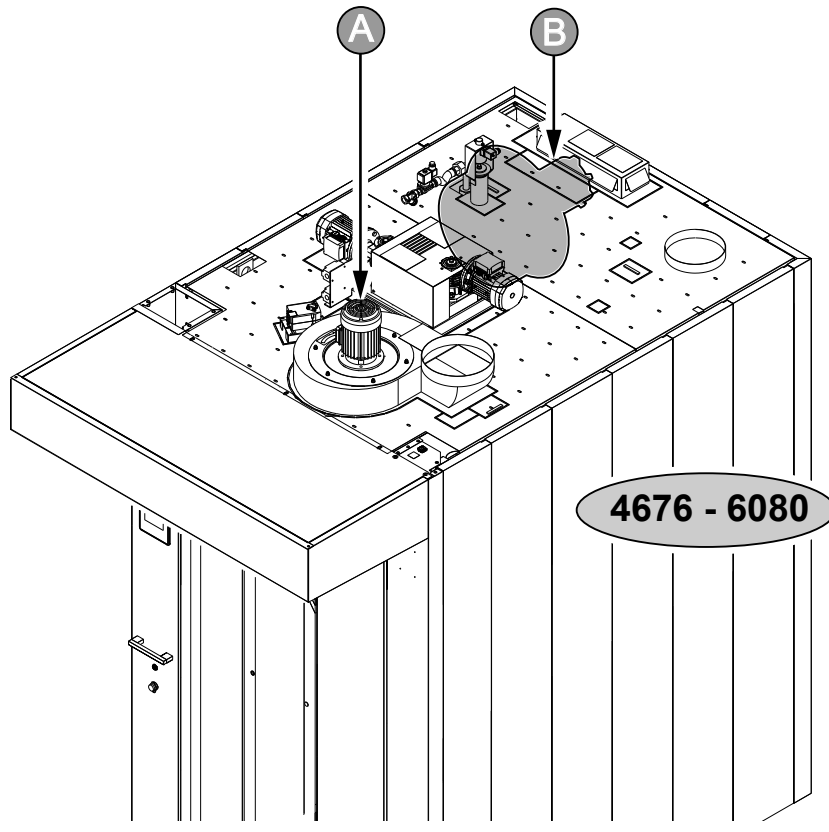
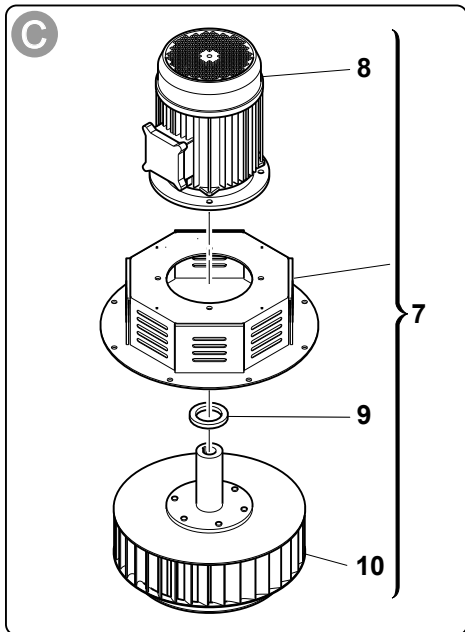
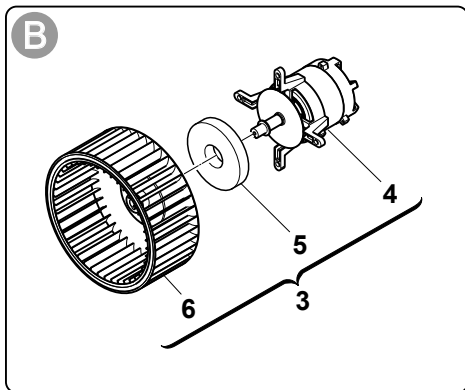
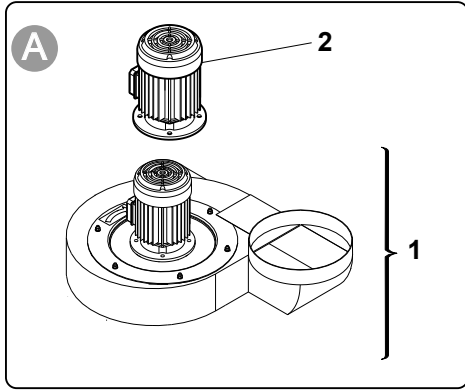
- 1 El número de matrícula de l'horno
- 2 Modelo
- 3 La edición (ED) y la eventual revisión (REV) del "Catálogo de Repuestos"
- 4 El número de la tabla ilustrativa del catálogo
- 5 La posición de la pieza en la tabla
- 6 El código de la pieza
- 7 La cantidad solicitada



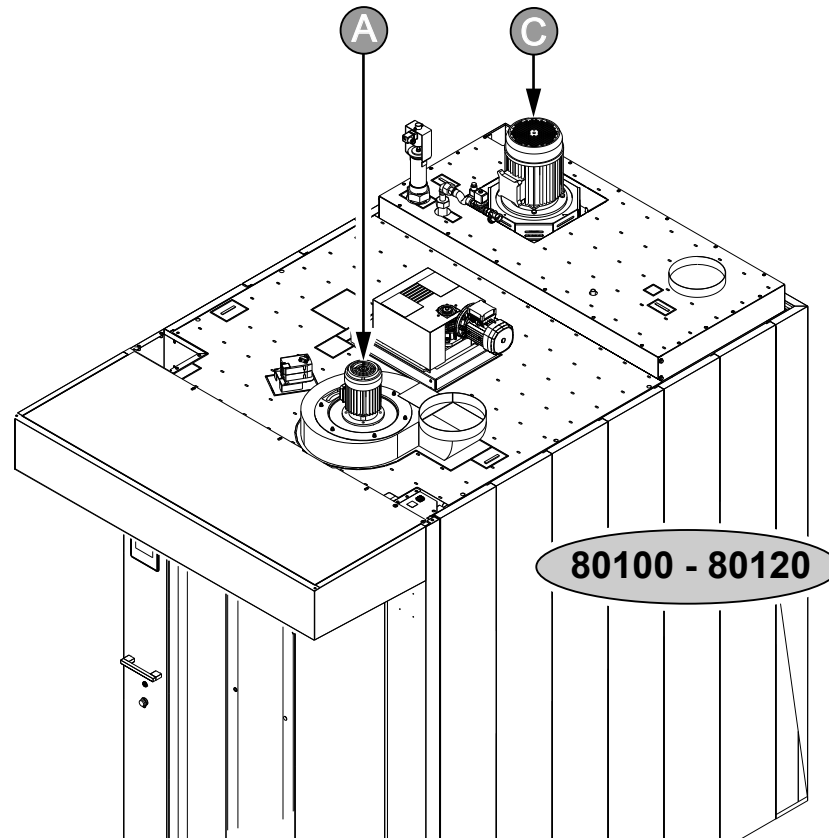
Pos.	Q.ta	4676 cod.	6080 cod.	80100 cod.	80120 cod.
1	1	55570101	55570101	55570101	-
2	1	555715	555715	555715	-
3	1	555717	555717	555717	-
4	1	704469	704469	704469	-
5	1	55574001	55574001	55574001	-
6	1	74135400	74135400	74135400	-
8	1		982821 + N3110350 (< 09.2018) standard rotation system without automatic lifting	982821 + N3110350 (< 09.2018) standard rotation system without automatic lifting	98282500
8	1		982821 (> 09.2018) standard rotation system without automatic lifting	982821 (> 09.2018) standard rotation system without automatic lifting	98282500
8	1		98282101 + N3110350 (< 09.2018) rotation system: grease free without automatic lifting	98282101 + N3110350 (< 09.2018) rotation system: grease free without automatic lifting	98282500
8	1		98282101 (> 09.2018) rotation system: grease free without automatic lifting	98282101 (> 09.2018) rotation system: grease free without automatic lifting	98282500
8	1		982821 + N3110360 (< 09.2018) standard rotation system with automatic lifting	982821 + N3110360 (< 09.2018) standard rotation system with automatic lifting	98282500
8	1		982821 (> 09.2018) standard rotation system with automatic lifting	982821 (> 09.2018) standard rotation system with automatic lifting	98282500
8	1		98282101 + N3110360 (< 09.2018) rotation system: grease free with automatic lifting	98282101 + N3110360 (< 09.2018) rotation system: grease free with automatic lifting	98282500
8	1		98282101 (> 09.2018) rotation system: grease free with automatic lifting	98282101 (> 09.2018) rotation system: grease free with automatic lifting	98282500
8	1	982821 (standart)			98282500
8	1	98282101 (grease free)			98282500



Pos.	Q.ta	4676 cod.	6080 cod.	80100 cod.	80120 cod.
9	1		555692 + N3110350 (< 09.2018) standard rotation system without automatic lifting	555692 + N3110350 (< 09.2018) standard rotation system without automatic lifting	N3875106
9	1		555692 (> 09.2018) standard rotation system without automatic lifting	555692 (> 09.2018) standard rotation system without automatic lifting	N3875106
9	1		53162110 + N3110350 (< 09.2018) rotation system: grease free without automatic lifting	53162110 + N3110350 (< 09.2018) rotation system: grease free without automatic lifting	N3875106
9	1		53162110 (> 09.2018) rotation system: grease free without automatic lifting	53162110 (> 09.2018) rotation system: grease free without automatic lifting	N3875106
9	1		555692 + N3110360 (< 09.2018) standard rotation system with automatic lifting	555692 + N3110360 (< 09.2018) standard rotation system with automatic lifting	N3875106
9	1		555692 (> 09.2018) standard rotation system with automatic lifting	555692 (> 09.2018) standard rotation system with automatic lifting	N3875106
9	1		53162110 + N3110360 (< 09.2018) rotation system: grease free with automatic lifting	53162110 + N3110360 (< 09.2018) rotation system: grease free with automatic lifting	N3875106
9	1		53162110 (> 09.2018) rotation system: grease free with automatic lifting	53162110 (> 09.2018) rotation system: grease free with automatic lifting	N3875106
9	1	555692 (standard)			N3875106
9	1	53162110 (grease free)			N3875106
10	1	55566520	55566520	55566520	55566520
11	1	55566500	55566500	55566500	55566500
12	1	555675	555675	555675	53862042
13	1	555676	555676	555676	53862043
14	1	704469	704469	704469	704469
15	1	741355	741355	741355	741355
16	1	53110334	53110334	53110334	53810335
17	1	703311	703311	703311	703311

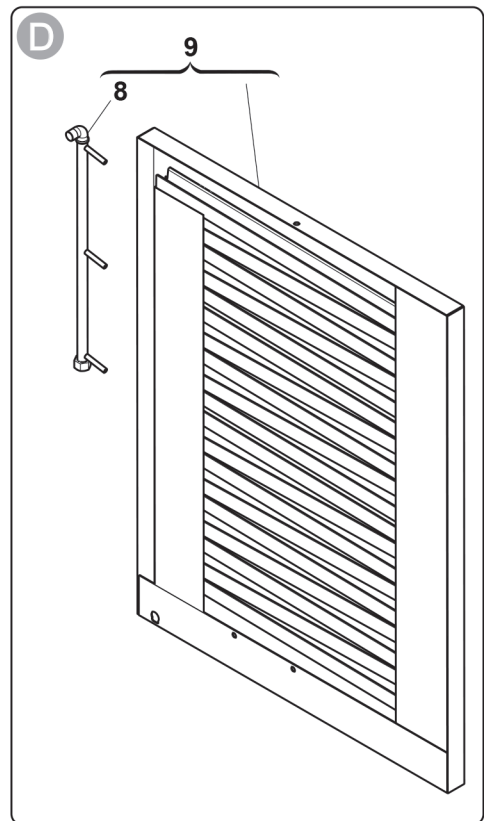
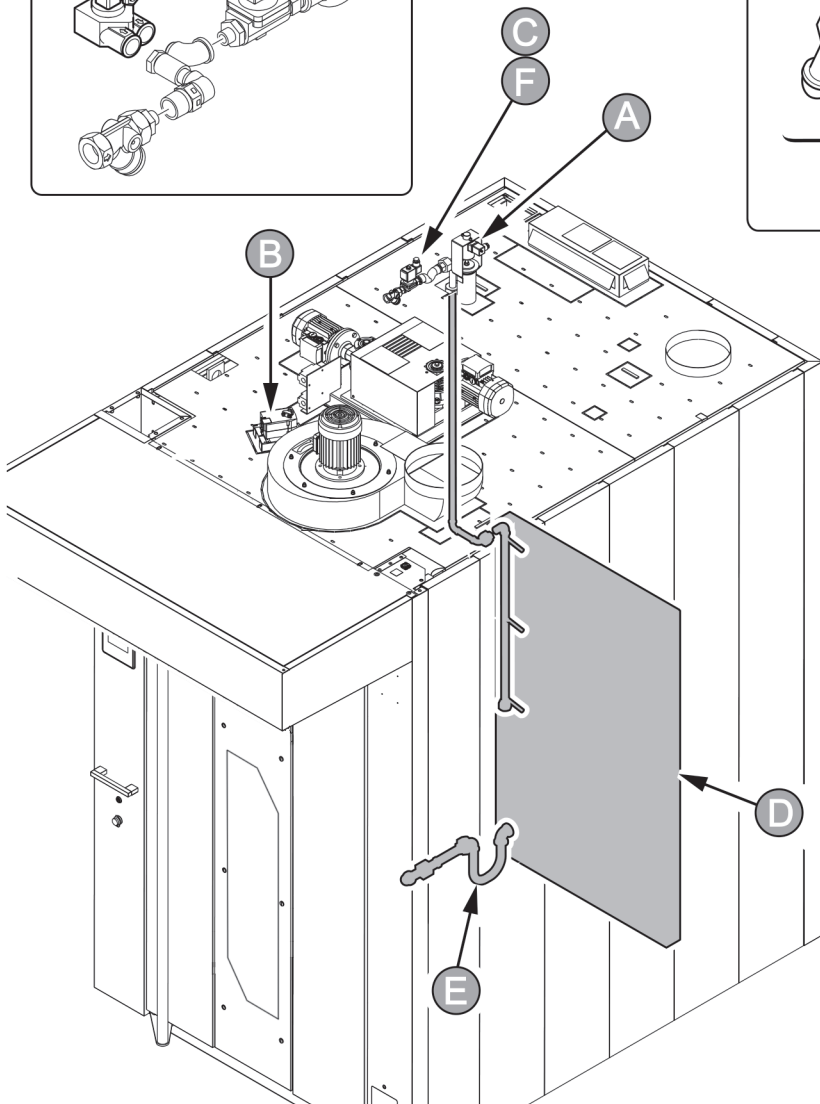
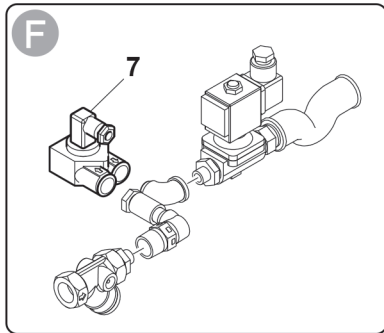
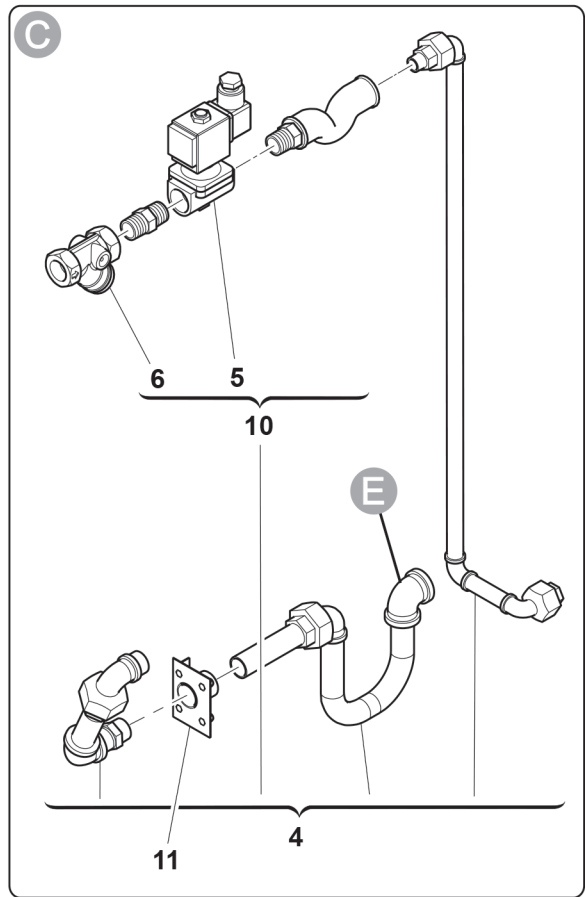
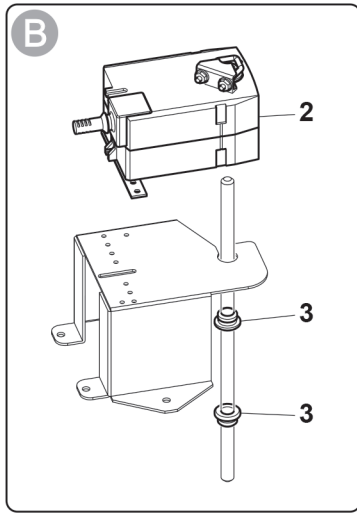
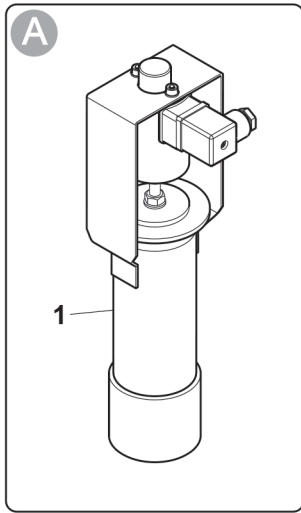


4676 - 6080

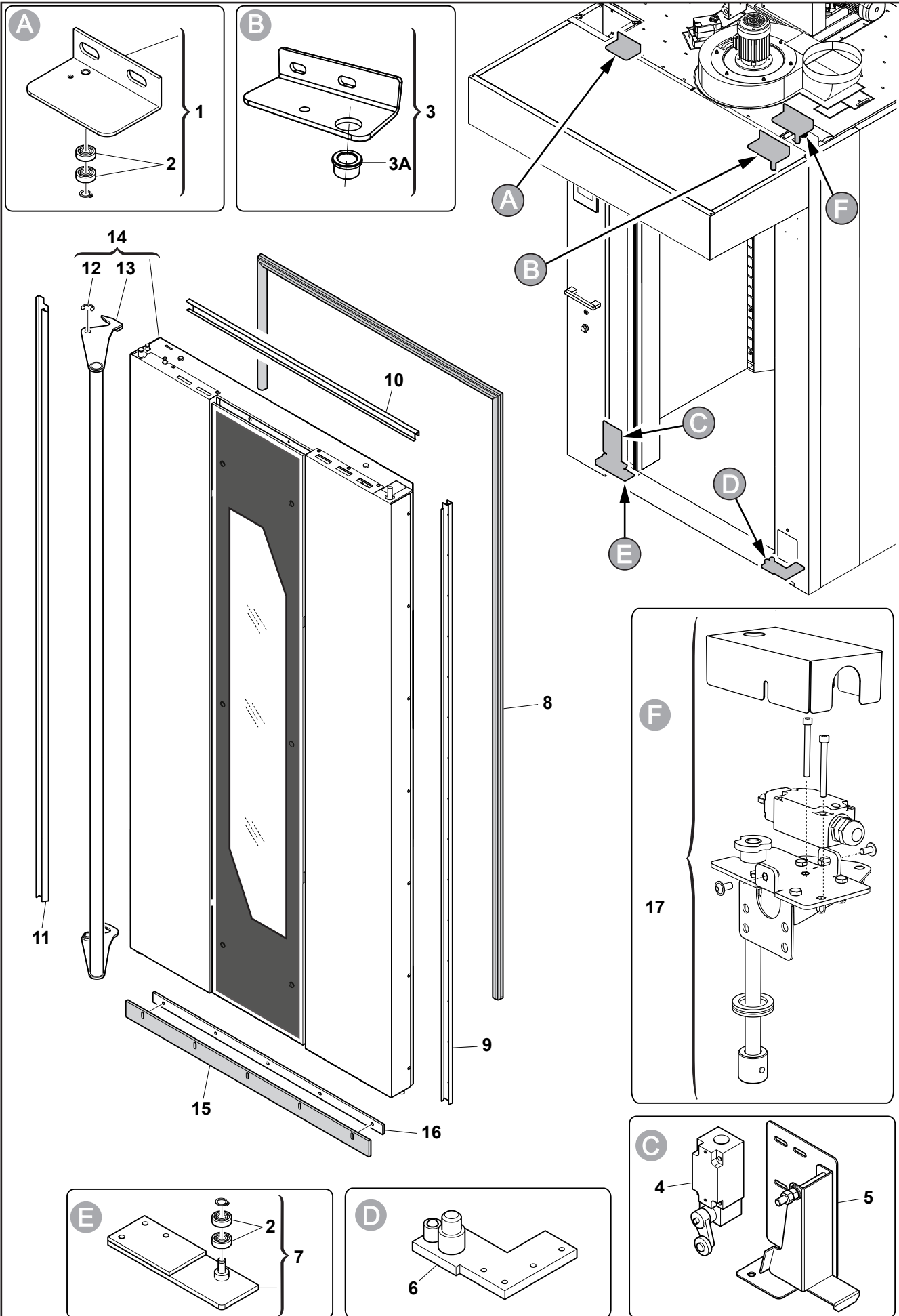


80100 - 80120

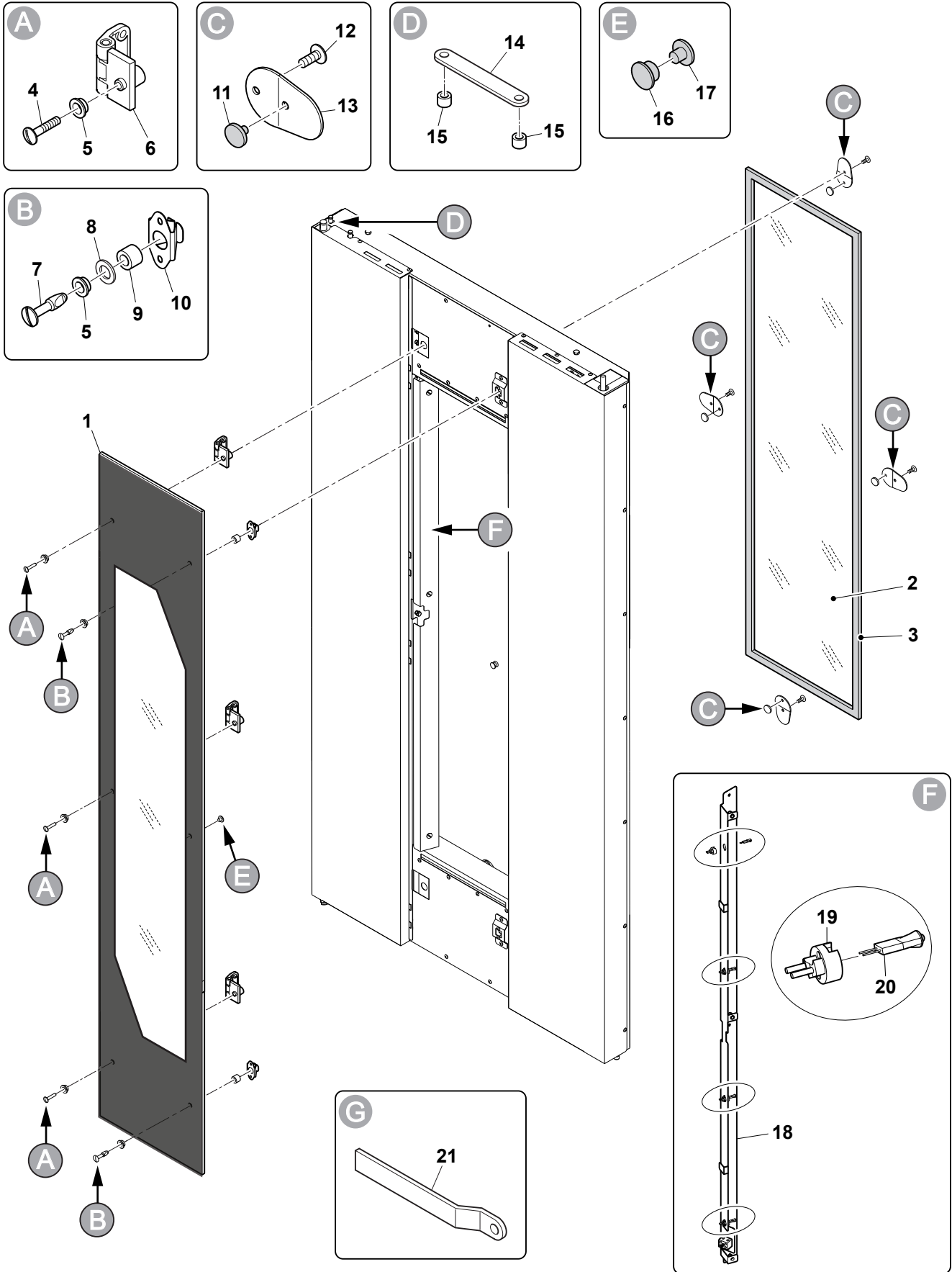
Pos.	Q.ta	4676 cod.	6080 cod.	80100 cod.	80120 cod.
1	1	704790A (Stainless steel – 900 RPM)	704800A (Stainless steel – 900 RPM)	704800A (Stainless steel – 900 RPM)	704800A (Stainless steel – 900 RPM)
1	1	704793A (Stainless steel – 1400 RPM)	704797A (Stainless steel – 1400 RPM)	704797A (Stainless steel – 1400 RPM)	704797A (Stainless steel – 1400 RPM)
2	1	704467 (900 RPM)	704327 (900 RPM)	704327 (900 RPM)	704327 (900 RPM)
2	1	704473 (1400 RPM)	704477 (1400 RPM)	704477 (1400 RPM)	704477 (1400 RPM)
3	1	9T021320 (50Hz)	98257503 (50Hz)	-	-
3	1	9T021321 (60Hz)	98257603 (60Hz)		
4	1	N9535690 (50Hz)	N9535690 (50Hz)	-	-
4	1	N9535691 (60Hz)	N9535691 (60Hz)		
5	1	59535580	59535580	-	-
6	1	N2921050	704845M1	-	-
7	1	-	-	N3121010 (50Hz)	N3121010 (50Hz)
7	1	-	-	N3121011 (60Hz)	-
7	1	-	-	N3121010 (60Hz) (inverter)	N3121010 (60Hz) (inverter)
8	1	-	-	70433001 (50Hz)	70433001 (50Hz)
8	1	-	-	70433101 (60Hz)	-
8	1	-	-	70433001 (60Hz) (inverter)	70433001 (60Hz) (inverter)
9	1	-	-	N3121060	N3121060
10	1	-	-	N3121051	N3121051



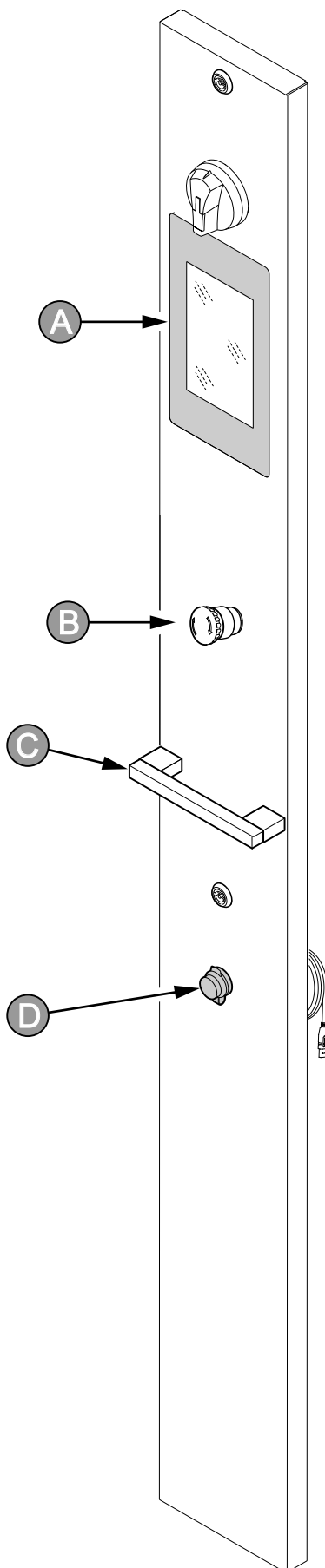
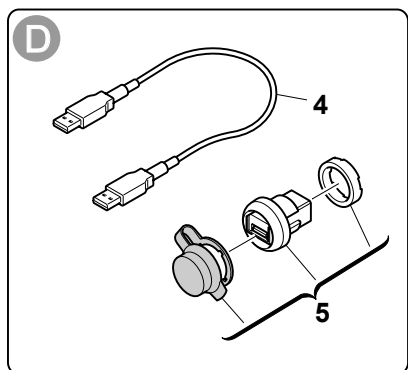
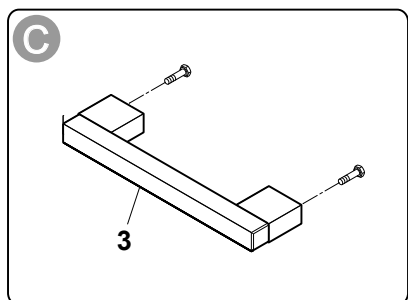
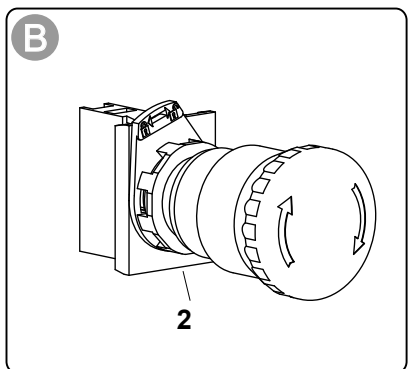
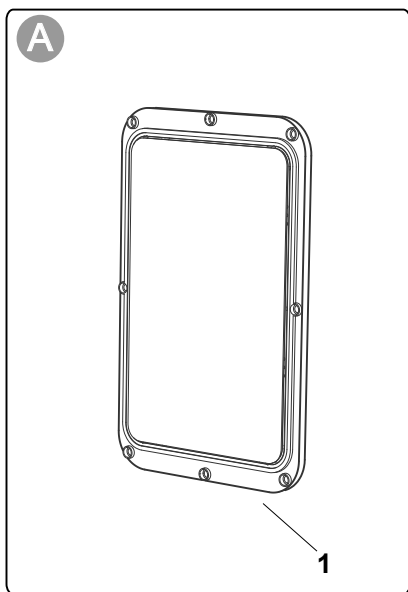
Pos.	Q.ta	4676 cod.	6080 cod.	80100 cod.	80120 cod.
1	1	N9561000	N9561000	N9561000	N9561000
2	1	704577	704577	704577	704577
3	2	55515158	55515158	55515158	55515158
4	1	N3460100	N3060100	N3160100	N3860100
5	1	7105800R	7105800R	7105800R	7105800R
6	1	710455	710455	710455	710455
7	1	710530	710530	710530	710530
8	1	555373	555373	555373	53860320 + 555373
9	1	59335600 Std: mod. G	53060310 Std: mod. G	555370 Std: mod. G	53860300 + 53860348 Std
9	1	52960300 Std: mod. E	53060300 Std: mod. E	53160300 Std: mod. E	
9	1	52960370 Opt: Larger	53060370 Opt: Larger	53160370 Opt: Larger	
10	1	53160150	53160150	53160150	53160150
11	1	N3020525 + n°4 725930 + n°4 726116	N3020525 + n°4 725930 + n°4 726116	B2920525 + n°4 725930 + n°4 726116	B2920525 + n°4 725930 + n°4 726116



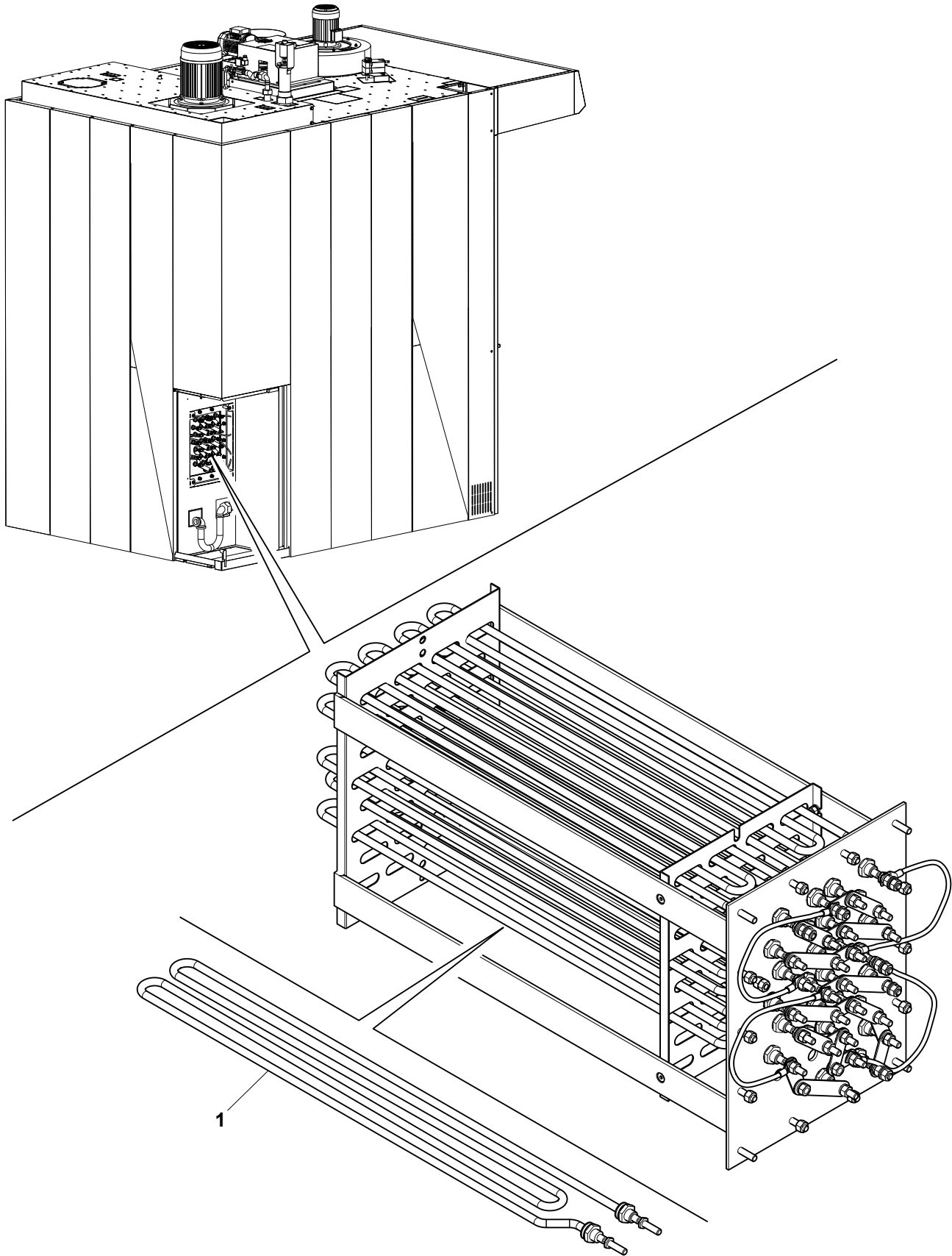
Pos.	Q.ta	4676 cod.	6080 cod.	80100 cod.	80120 cod.
1	1	53140510 (RH door)	53140510 (RH door)	53140510 (RH door)	53140510 (RH door)
1	1	N3142510 (LH door)	N3142510 (LH door)	N3142510 (LH door)	N3142510 (LH door)
2	1	702814	702814	702814	702814
3	1	N3143450 (RH door)	N3143450 (RH door)	N3143450 (RH door)	N3143450 (RH door)
3	1	N3144450 (LH door)	N3144450 (LH door)	N3144450 (LH door)	N3144450 (LH door)
3A	1	N3140460	N3140460	N3140460	N3140460
4	1	741355	741355	741355	741355
5	1	N3130340	N3130340	N3130340	N3130340
6	1	53141420 (RH door)	53141420 (RH door)	53141420 (RH door)	53141420 (RH door)
6	1	N3142420 (LH door)	N3142420 (LH door)	N3142420 (LH door)	N3142420 (LH door)
7	1	N3140550 (RH door)	N3140550 (RH door)	N3140550 (RH door)	N3140550 (RH door)
7	1	N3142550 (LH door)	N3142550 (LH door)	N3142550 (LH door)	N3142550 (LH door)
8	1	N3430660	N3030660	N3630660	N3630660
9	1	53130630	N3130630	N3130630	N3130630
10	1	N3430625	N3030625	N3830625	N3830625
11	1	53130620	N3130620	N3130620	N3130620
12	1	72009320	72009320	72009320	72009320
13	1	N3441235 (RH door)	N3141235 (RH door)	N3141235 (RH door)	N3141235 (RH door)
13	1	N3442235 (LH door)	N3142235 (LH door)	N3142235 (LH door)	N3142235 (LH door)
14	1	9T000850 (RH door)	9T000890 (RH door)	9T000930 (RH door)	9T000930 (RH door)
14	1	9T000860 (LH door)	9T000900 (LH door)	9T000940 (LH door)	9T000940 (LH door)
15	1	N3440334	N3040334	N3140334	N3140334
16	1	52940330	N3040330	53140330	53140330
17	1	74135510	74135510	74135510	74135510



Pos.	Q.ta	4676 cod.	6080 cod.	80100 cod.	80120 cod.
1	1	N2943300	N2943300	N2943300	N2943300
2	1	53140280BE	53140280BE	53140280BE	53140280BE
3	2,5 m	733060	733060	733060	733060
4	3	726307	726307	726307	726307
5	5	53140302	53140302	53140302	53140302
6	3	53140181	53140181	53140181	53140181
7	2	728206	728206	728206	728206
8	2	72597000	72597000	72597000	72597000
9	2	53140303	53140303	53140303	53140303
10	2	728204	728204	728204	728204
11	4	53140287	53140287	53140287	53140287
12	4	726305	726305	726305	726305
13	4	N3140285	N3140285	N3140285	N3140285
14	2	N3141245	N3141245	N3141245	N3141245
15	4	N3140232	N3140232	N3140232	N3140232
16	1	53140297	53140297	53140297	53140297
17	1	53140298	53140298	53140298	53140298
18	1	53140305	53140305	53140305	53140305
19	4	740756	740756	740756	740756
20	4	740750	740750	740750	740750
21	1	N3140280	N3140280	N3140280	N3140280



Pos.	Q.ta	4676 cod.	6080 cod.	80100 cod.	80120 cod.
1	1	N30EB052	N30EB052	N30EB052	N30EB052
2	1	740833	740833	740833	740833
3	1	706312	706312	706312	706312
4	1	590E7918	590E7918	590E7918	590E7918
5	1	590E7917	590E7917	590E7917	590E7917



**MONDIAL
FORNI**

MF

Rotor Techno 2.0

Catalogo ricambi

Spare parts catalogue

Catalogue des pièces détachées

Ersatzteilliste

Catálogo de las piezas de repuesto

MONDIAL FORNI S.p.A.

Via dell'Elettronica, 1
37139 Verona, ITALIA
tel. +39 045 8182511
fax +39 045 8510016
www.mondialforni.com

LTEC-2-RIC1

(rev 02-2023)