

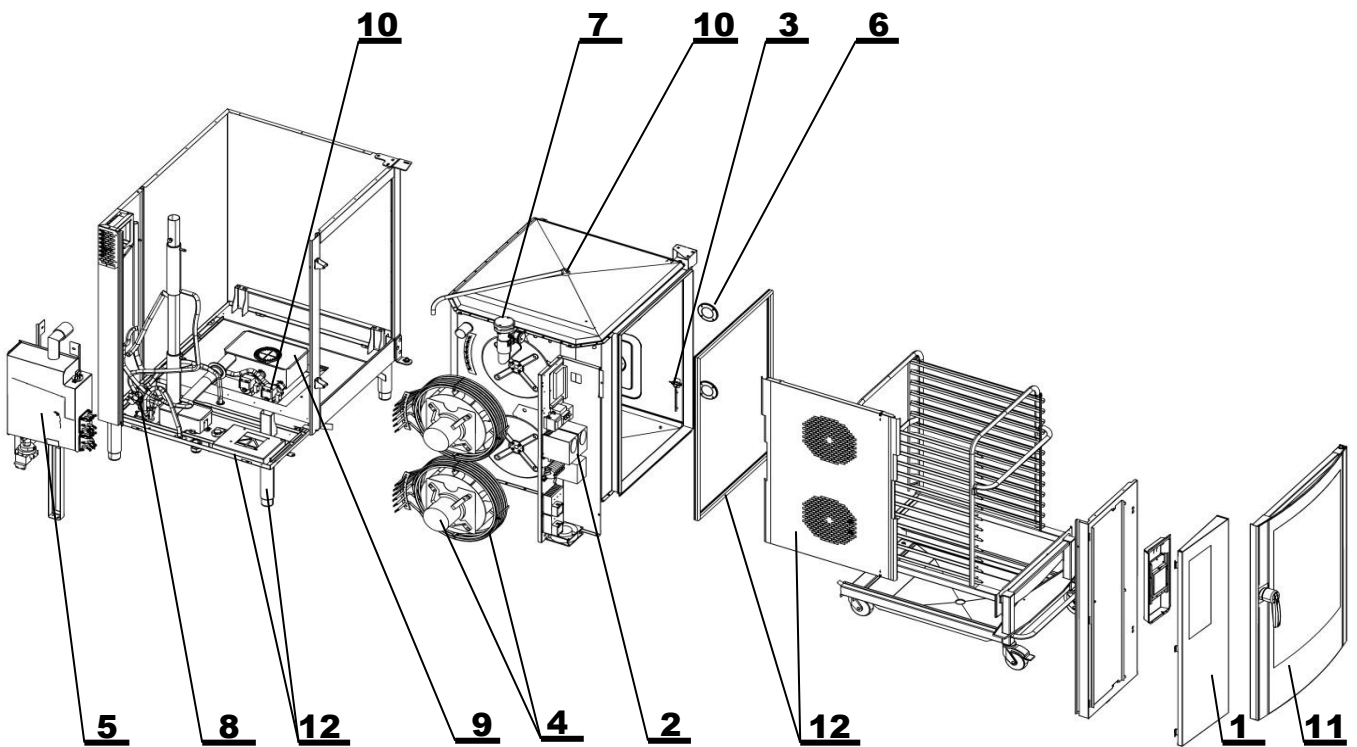
retigo®
Vision



Spare parts catalogue

RETIGO Vision
Combi steamer 1221
electric

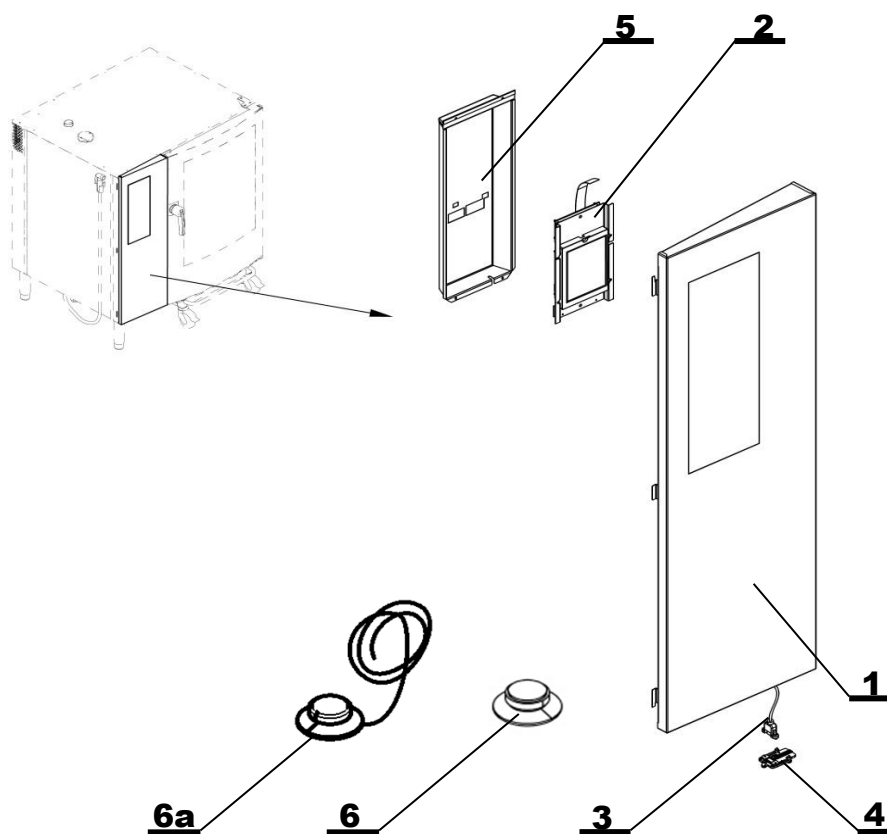
VISION 1221 BLUE/ORANGE



CONTENT

		Page
1	Control panel	4
2	Power panel	5 - 6
3	Temperature sensors	7
4	Motor, ventilator, heating	8
5	Boiler	9
6	Light	10
7	Flap valve	11
8	Water distribution system	12 - 13
9	Drainage system	14 - 15
10	Automatic cleaning system	16
11	Door	17
12	Accessories	18

CONTROL PANEL

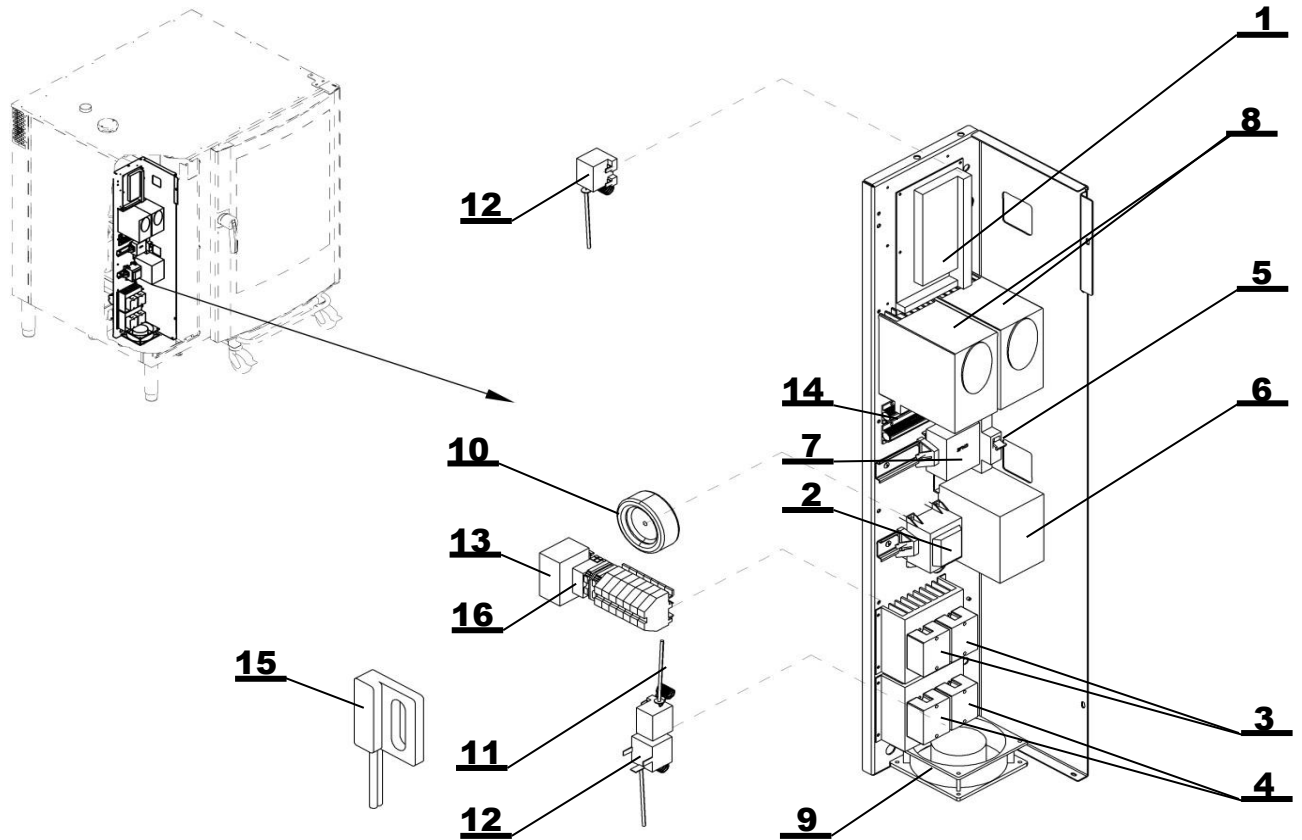


Position	Code	Name	For type of combi oven			
			B1221i	B1221b	O1221i	O1221b
1	AC21-1605/CH1	WHOLE LEFT CORNER WITH ELECTRONIC 1221-BLUE	•	•		
1	AC21-1606/CH1	WHOLE LEFT CORNER WITH ELECTRONIC 1221-ORANGE			•	•
2	XC10-2000	ELECTRONIC BOARD SET VISION-BLUE Freescale 2011	•	•		
2	XC10-2100	ELECTRONIC BOARD SET VISION-ORANGE Freescale 2011			•	•
3	EA05-0052	USB CABLE	•	•	•	•
4	SP21-0001	USB COVER	•	•	•	•
5	AP10-0021	COVER OF ELECTRONICS	•	•	•	•
6	EA13-0151	AUXILIARY LOUD-SPEAKER	•	•	•	•
6a	AA11-9903	SPEAKER SET - 1011,1221	•	•	•	•

Note:

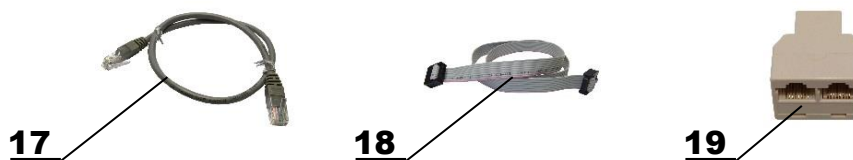
1	AC21-1605/S/CH1	LEFT CORNER PLATE 1221 - BLUE WITH USB CONNECTOR	•	•		
1	AC21-1606/S/CH1	LEFT CORNER PLATE 1221 - ORANGE WITH USB CONNECTOR			•	•

POWER PANEL - BLUE



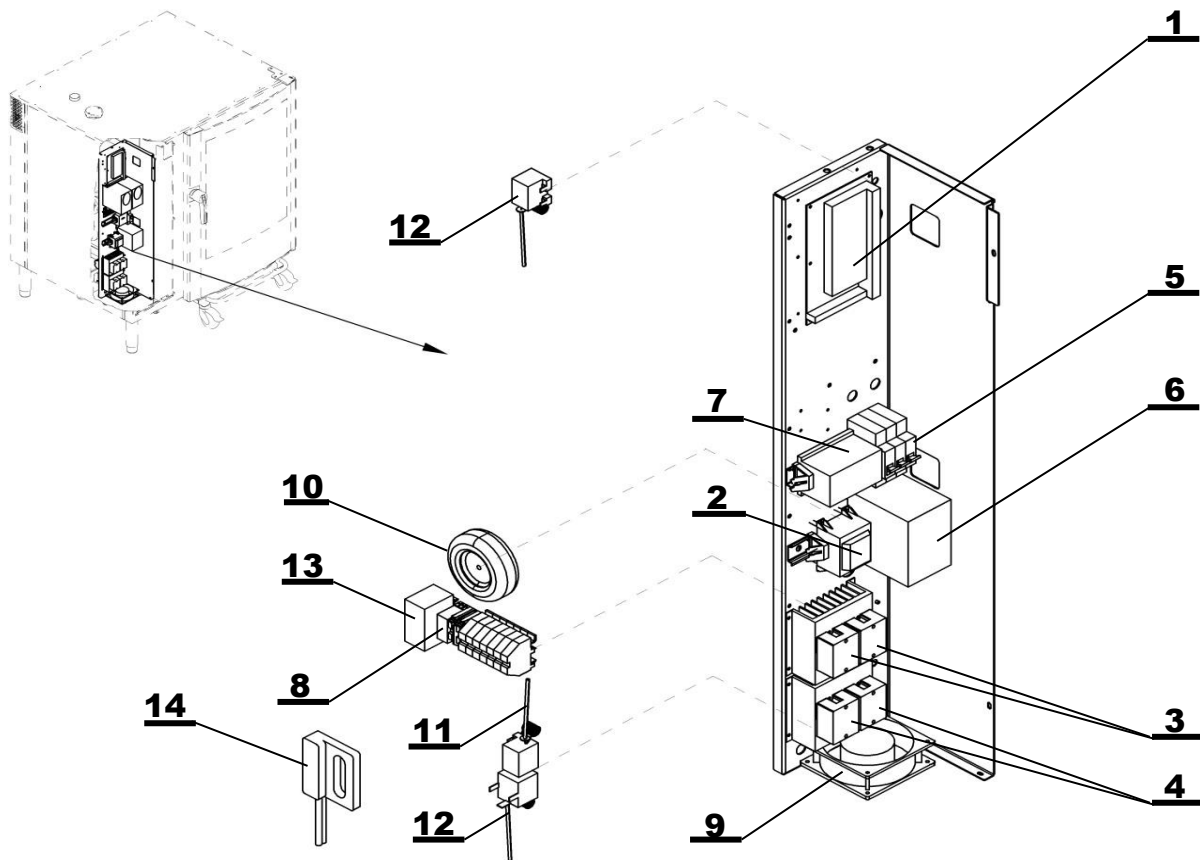
Position	Code	Name	For type of combi oven			
			B1221i	B1221b	O1221i	O1221b
1	EA14-0080	POWER SUPPLY BOARD VISION -R04.1	•	•		
2	EA13-0008	TRANSFORMER TRONIC 17V	•	•		
3	EA02-0203	SOLID STATE RELAY SOB965660		•		
4	EA02-0203	SOLID STATE RELAY SOB965660	•	•		
5	EA03-0016	CIRCUIT BREAKER	•	•		
6	EA02-0006	CONTACTOR (LC1D50P7)	•	•		
7	EA13-0109	SUPPRESSOR	•	•		
8	EA13-0400	FREQUENCY CONVERTER	•	•		
9	ZA21-0007	FAN SUNNON	•	•		
10	EA13-0009	TRANSFORMER 1TT63P2 230V/11,5V	•	•		
11	EA04-0011	THERMAL FUSE BOILER 140 °C		•		
12	EA04-0012	THERM. FUSE FOR SPACE 360°C	•	•		
13	EA13-0058	SUPPRESSION COMPONENT FC611 13b	•	•		
14	EA16-0041	RESISTOR VW3TR342150RJ	•	•		
15	EA01-0016	DOOR SWITCH 1221, 2011, 2021	•	•		
16	EA13-0056	SUPPRESSION COMPONENT TS811 1022B	•	•		
7+8+14	EA13-0402	KIT RETIGO VISION	•	•		

Note:



17	EA05-0072	CABLE UTP 0,5m	•	•		
18	EA05-0078	CABLE K-PLC 10	•	•		
19	EA15-0011	RJ 45 SPLITTER	•	•		

POWER PANEL ORANGE



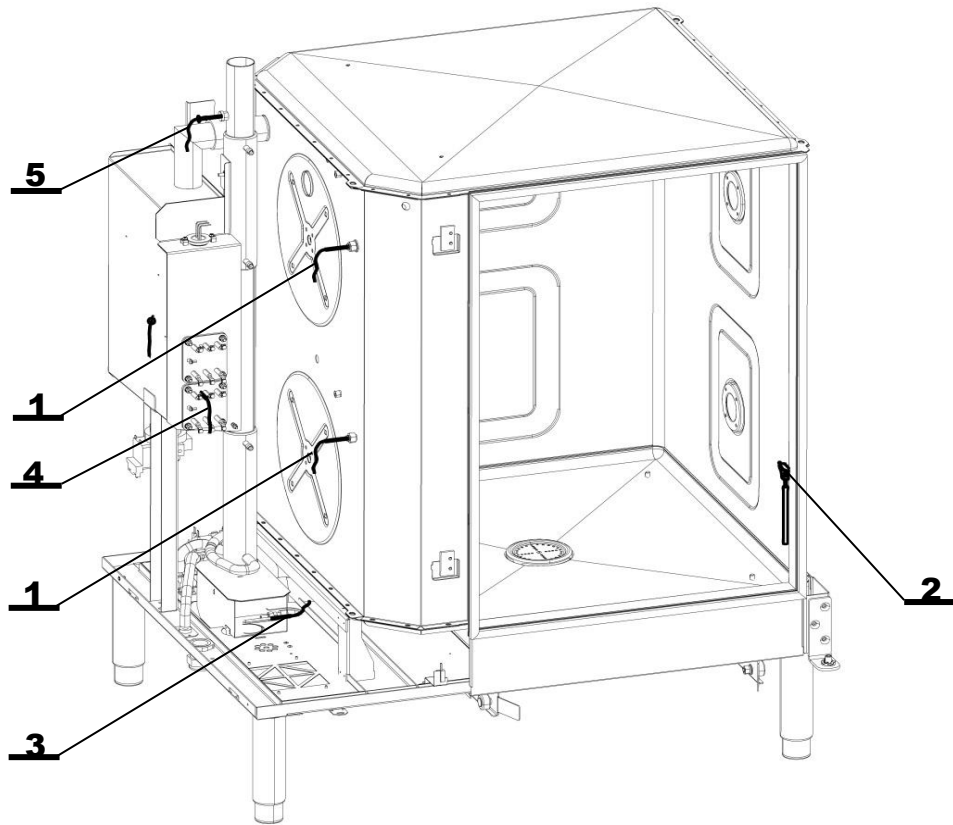
Position	Code	Name	For type of combi oven			
			B1221i	B1221b	O1221i	O1221b
1	EA14-0080	POWER SUPPLY BOARD VISION -R04.1			•	•
2	EA13-0008	TRANSFORMER TRONIC 17V			•	•
3	EA02-0203	SOLID STATE RELAY SOB965660			•	•
4	EA02-0203	SOLID STATE RELAY SOB965660			•	•
5	EA03-0018	CIRCUIT BREAKER PEP-10J 3P D 6A			•	•
6	EA02-0006	CONTACTOR (LC1D50P7)			•	•
7	EA02-0002	REVERSIBLE CONTACTOR			•	•
8	EA13-0056	SUPPRESSION COMPONENT TS811 1022B			•	•
9	ZA21-0007	FAN SUNNON			•	•
10	EA13-0009	TRANSFORMER 1TT63P2 230V/11,5V			•	•
11	EA04-0011	THERMAL FUSE BOILER 140 °C			•	•
12	EA04-0012	THERM. FUSE FOR SPACE 360°C			•	•
13	EA13-0057	SUPPRESSION COMPONENT FC611			•	•
14	EA01-0016	DOOR SWITCH 1221, 2011, 2021			•	•

Note:



15	EA05-0078	CABLE K-PLC 10			•	•
----	-----------	----------------	--	--	---	---

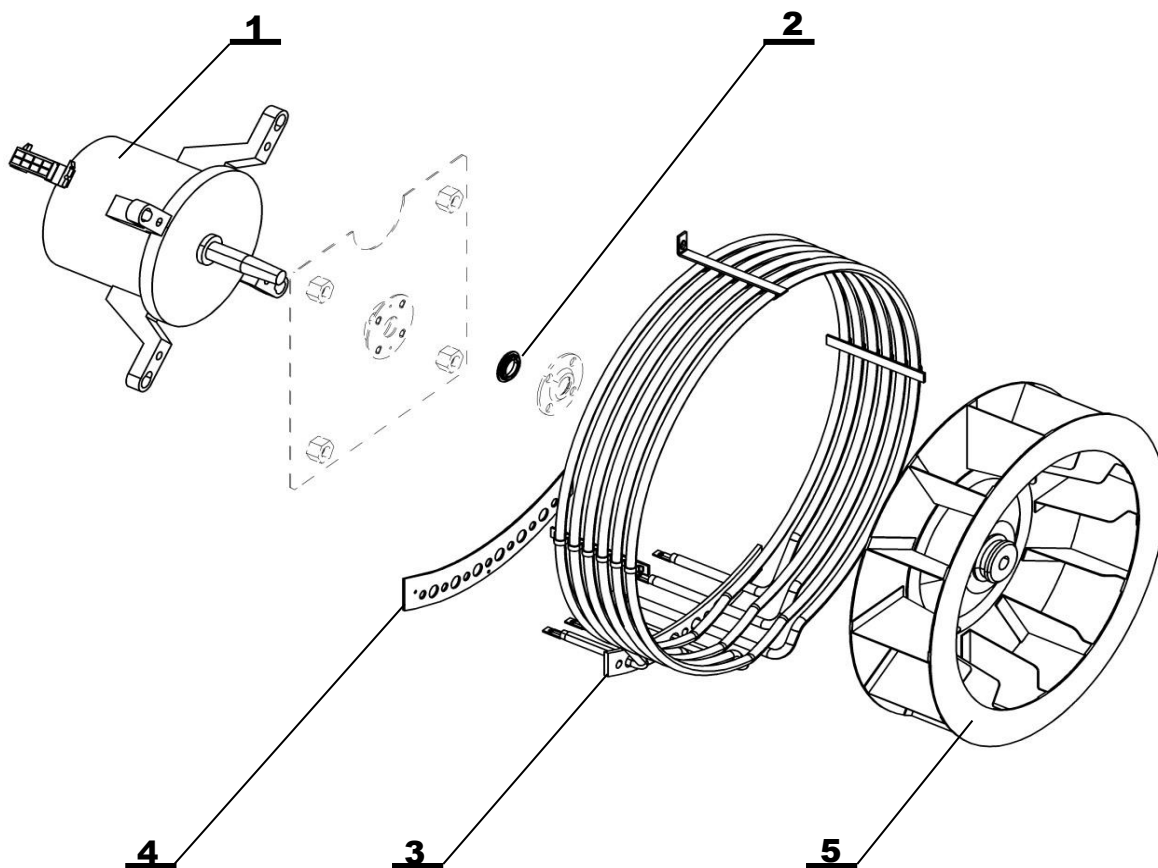
TEMPERATURE SENSORS



Position	Code	Name	For type of combi oven			
			B1221i	B1221b	O1221i	O1221b
1	EA10-0103	COOKING CHAMBER AND STEAM TEMP. SENSOR	•	•	•	•
2	EA10-0119	CORE PROBE (meat probe) - Blue - 4 point 1221, 2011, 2021	•	•		
2a	EA10-0117	CORE PROBE (meat probe) - Orange - 1 point 1221, 2011, 2021			•	•
3	EA10-0104	DRAIN and BOILER TEMP. SENSOR 623, 611, 1011, 1221	•	•	•	•
4	EA10-0104	DRAIN and BOILER TEMP. SENSOR 623, 611, 1011, 1221		•		•
5	EA10-0103	COOKING CHAMBER AND STEAM TEMP. SENSOR		•	•	•

Note:

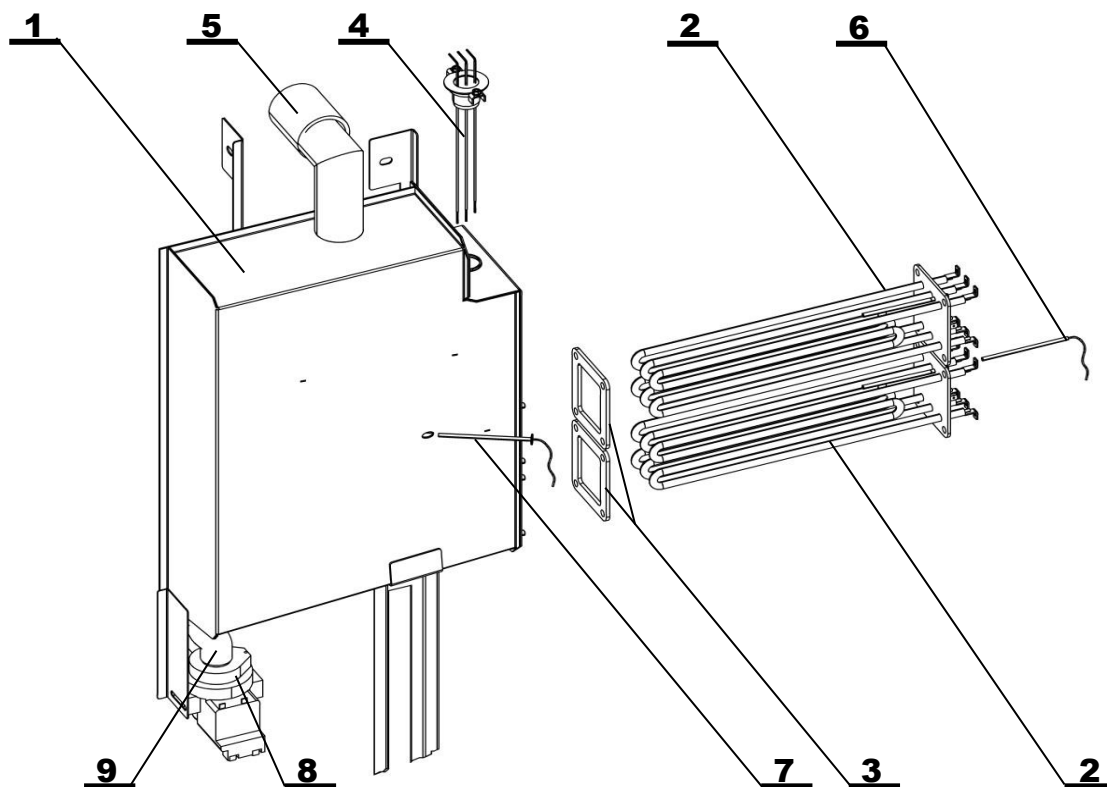
MOTOR - VENTILATOR - HEATING



Position	Code	Name	For type of combi oven			
			B1221i	B1221b	O1221i	O1221b
1	EA11-0014	MOTOR HANNING L9 EB30	•	•	•	•
2	AX00-0006	MOTOR SEAL	•	•	•	•
3	AX00-0007	HEATING ELEMENT 1011,2011,1221 16kW	•	•	•	•
4	AX00-0008	SEAL	•	•	•	•
5	AX09-0006	VENTILATOR FAN ø 320mm/110mm	•	•	•	•

Note:

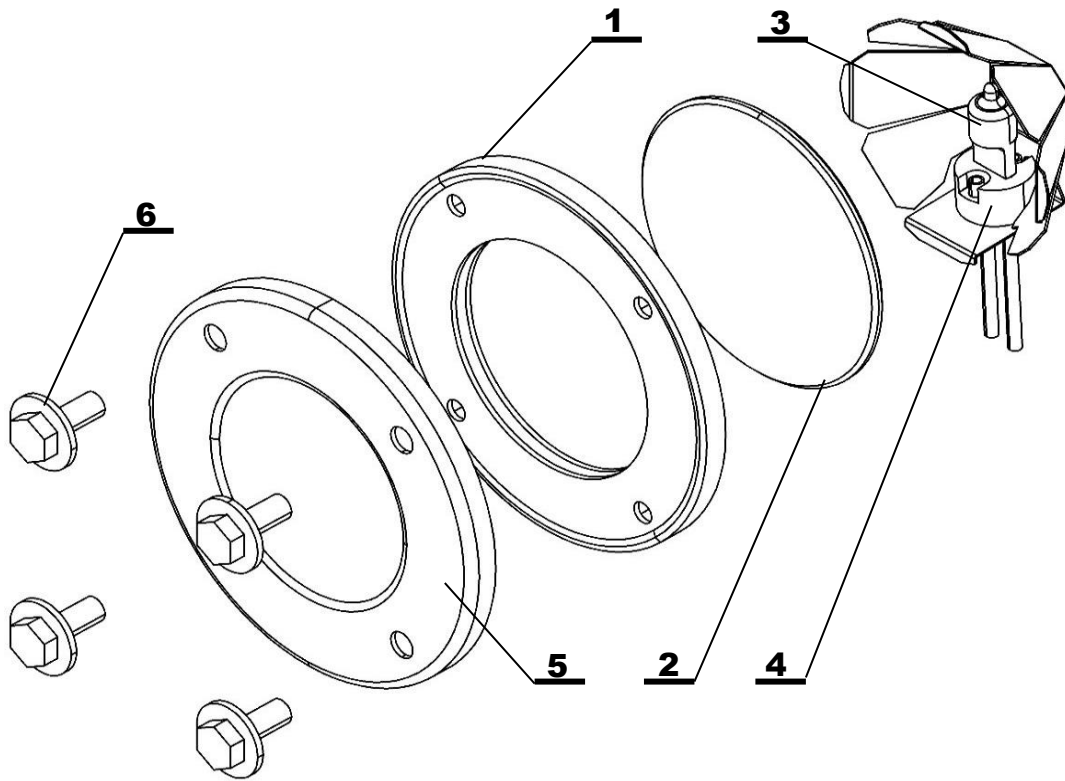
BOILER VISION



Position	Code	Name	For type of combi oven			
			B1221i	B1221b	O1221i	O1221b
1	AC24-0900	BOILER 1221 VISION		•		•
2	EX24-0008	BOILER HEATING ELEMENT 12 kW VISION		•		•
3	AX24-0002	BOILER HEATING ELEMENT SEAL		•		•
4	AC24-0602	WATER LEVEL SENSOR VISION		•		•
5	ZA10-0501	SILICON TUBE CONNECTION		•		•
6	EA10-0104	DRAIN and BOILER TEMP. SENSOR 623, 611, 1011, 1221		•		•
7	EA04-0011	THERMAL FUSE BOILER 140 °C		•		•
8	EA12-0001	PUMP		•		•
9	ZA11-0901	CONNECTING HOSE PUMP-BOILER		•		•

Note:

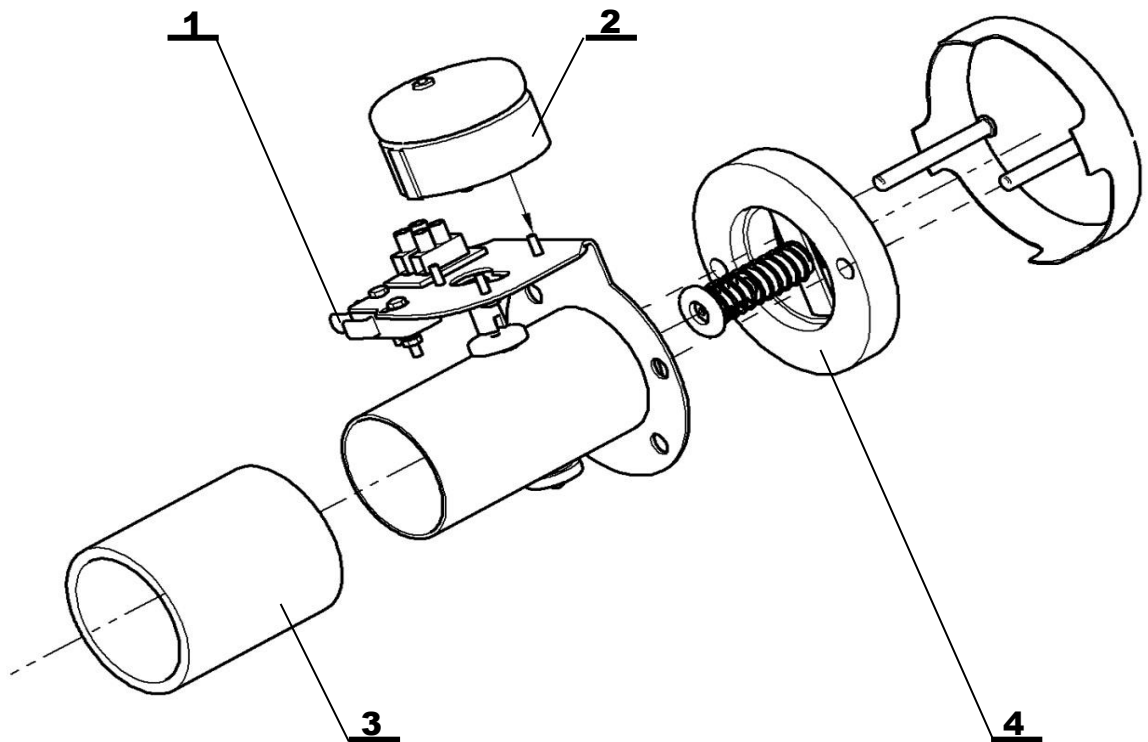
LIGHT



Position	Code	Name	For type of combi oven			
			B1221i	B1221b	O1221i	O1221b
1	AX07-0006	LIGHT SEAL VISION - VITON 80	•	•	•	•
2	AX07-0004	GLASS PLATE	•	•	•	•
3	EA13-0100	HALOGEN LAMP	•	•	•	•
4	AC07-0200	REFLECTOR WITH LAMP HOLDER	•	•	•	•
5	AP07-0004	LAMP COVER	•	•	•	•
6	ZC15-0616	SCREW M6x16	•	•	•	•

Note:

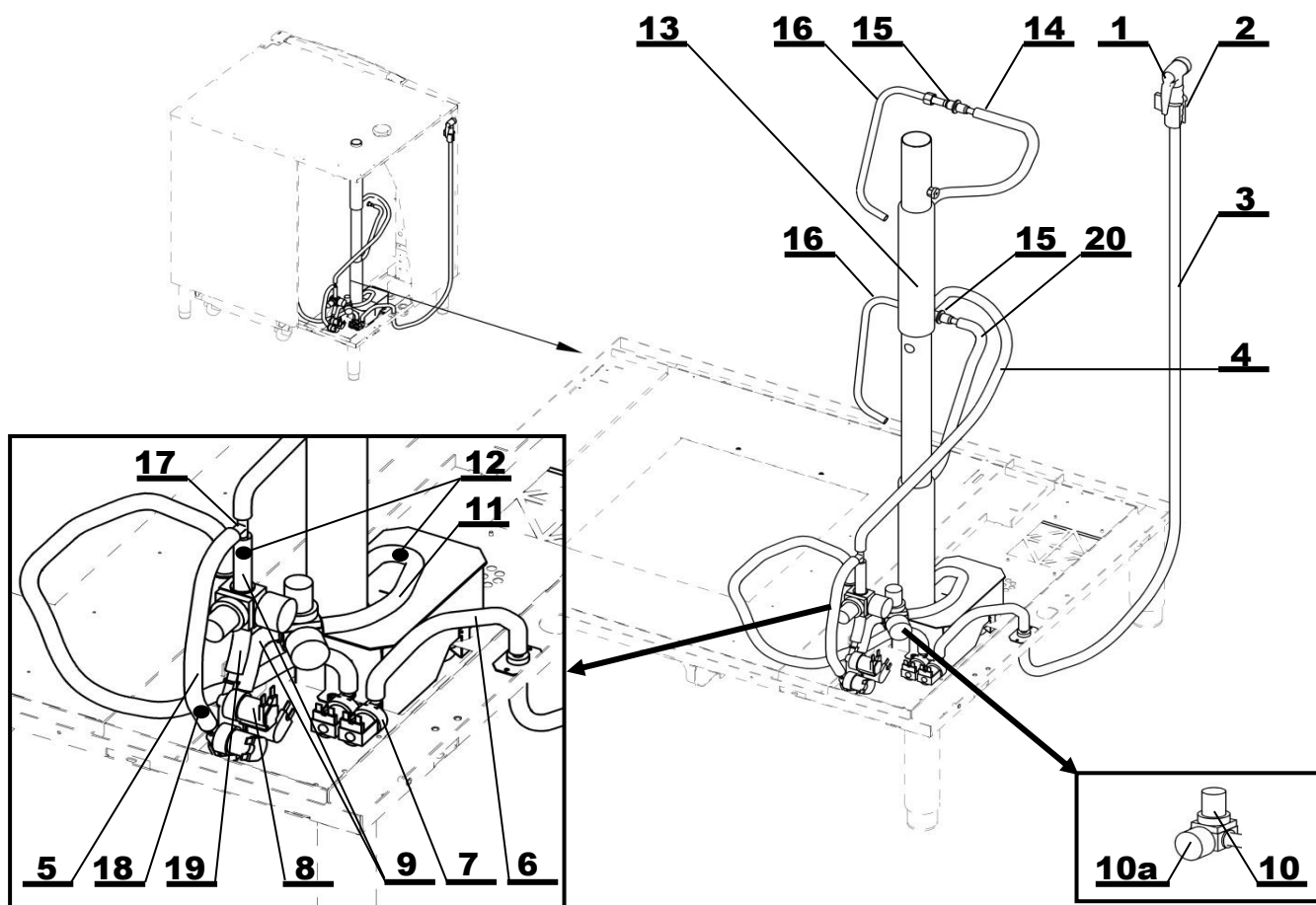
FLAP VALVE



Position	Code	Name	For type of combi oven			
			B1221i	B1221b	O1221i	O1221b
1	EA01-0052	MIKROSWITCH (until 1.1.2010)	•	•		
2	EA11-0012	MOTOR + SWITCH (since 1. 1. 2010)	•	•		
2	EA11-0005	MOTOR (until 1.1.2010)	•	•		
3	AT00-0006	FLAP VALVE HOSE DA6	•	•	•	•
4	AC25-0105	PLUG	•	•	•	•
1+2+4	AC25-0100	FLAP VALVE COMPLETE	•	•		

Note:

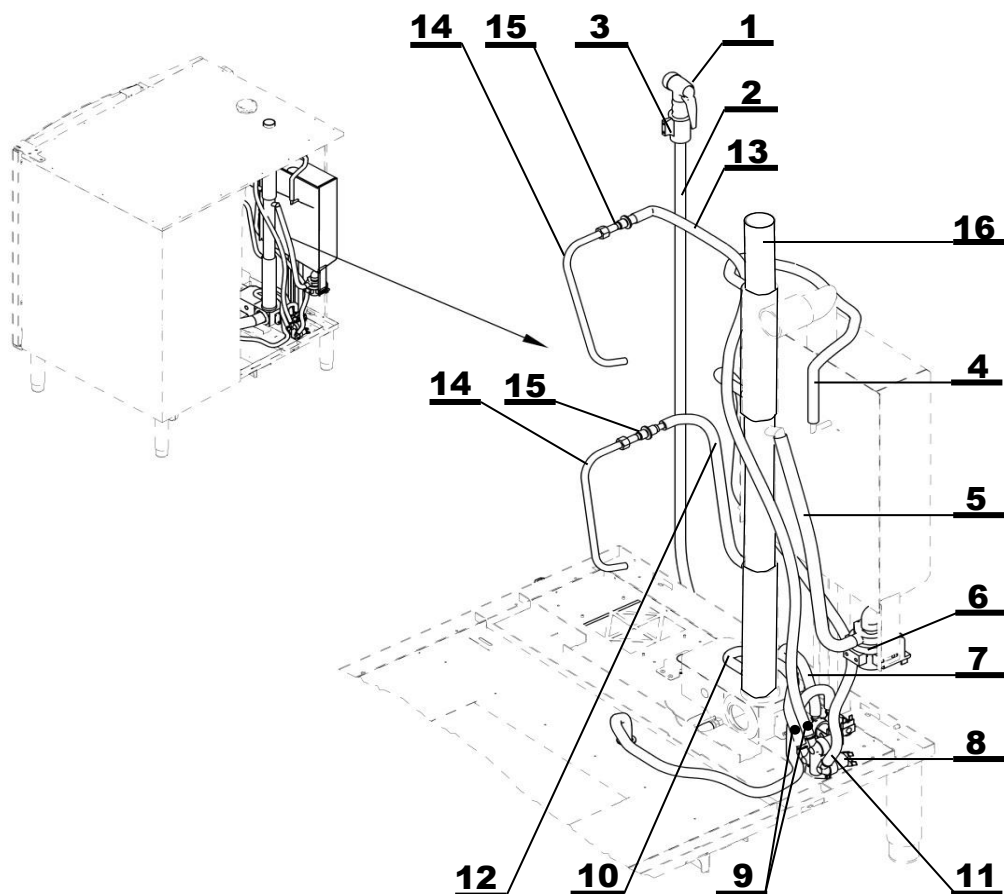
WATER DISTRIBUTION SYSTEM INJECTION



Position	Code	Name	For type of combi oven			
			B1221i	B1221b	O1221i	O1221b
1	ZA15-0100	SHOWER KLARCO	•		•	
2	AT00-0002	SHOWER HOLDER KLARCO	•		•	
3	ZA11-0904	RUBBER HOSE FOR SHOWER 2,1m	•		•	
4	AT26-0014	HOSE VALVE-RED. VALVE	•		•	
5	AA26-0107	HOSE 10x3,6 - 320	•		•	
6	AA26-0101	HOSE 10x3,6 - 350	•		•	
7	EA12-0050	DOUBLE SOLENOID VALVE			•	
7	EA12-0056	TRIPLE SOLENOID VALVE	•			
8	EA12-0056	TRIPLE SOLENOID VALVE	•		•	
9	AA26-0104	HOSE 10x3,6 - 90	•		•	
10	ZA12-0201	WATER REDUCTING VALVE	•		•	
10a	ZA12-0401	MANOMETER 0-1bar, WIKA	•		•	
11	AA26-0101	HOSE 10x3,6 - 350	•		•	
12	AT00-0056	NOZZLE 07	•		•	
13	AC05-2400	CHIMNEY 1221 Vision - inject	•		•	
14	AT24-0021	BOILER HOSE	•		•	
15	AC00-2500	BUSHING	•		•	
16	AC12-0900	INJECTION PIPE VISION 1221	•		•	
17	ZA10-0553	T-FITTING T-TS 10 mm	•		•	
18	EA12-0303	REDUCTION NOZZLE	•		•	
19	AT26-0006	HOSE VALVE-RED. VALVE	•		•	
20	AT26-0001	HOSE VALVE-RED. VALVE	•		•	

Note:

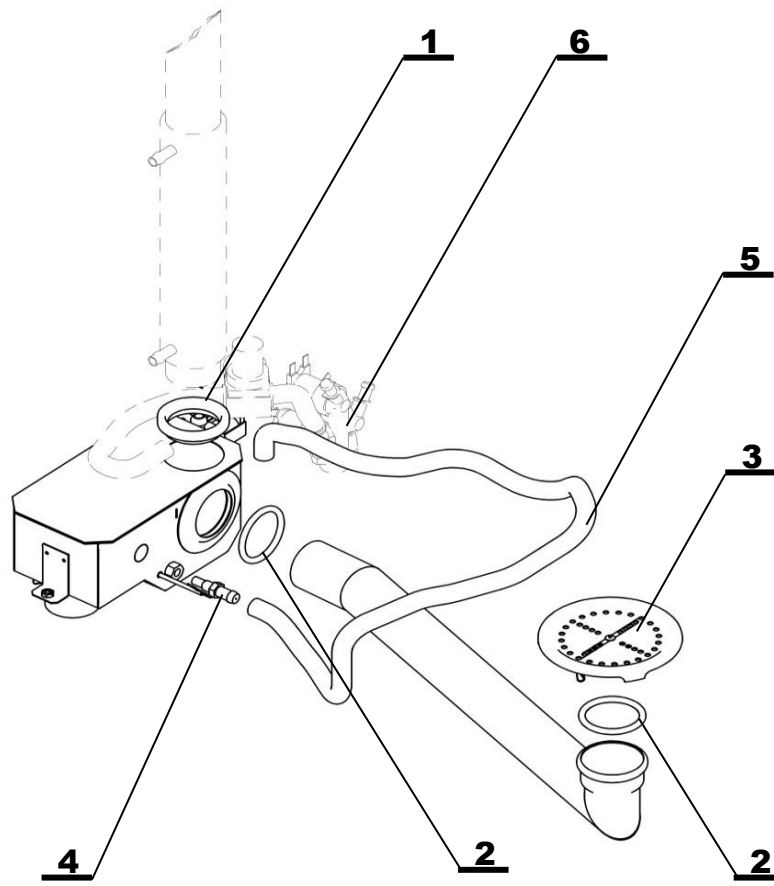
SYSTÉM ROZVODU VODY - BOJLER



Position	Code	Name	For type of combi oven			
			B1221i	B1221b	O1221i	O1221b
1	ZA15-0100	SHOWER KLARCO		•		•
2	ZA11-0904	RUBBER HOSE FOR SHOWER 2,1m		•		•
3	AT00-0002	SHOWER HOLDER KLARCO		•		•
4	AT26-0013	HOSE		•		•
5	AA26-0154	HOSE 16/22 - 600		•		•
6	EA12-0001	PUMP		•		•
7	AA26-0101	HOSE 10x3,6 - 350		•		•
8	EA12-0056	TRIPLE SOLENOID VALVE				•
9	EA12-0303	REDUCTION NOZZLE		•		•
10	AT26-0009	HOSE VALVE-RECUPERATOR		•		•
11	AT26-0012	HOSE VALVE-RED. VALVE		•		•
12	AT32-0017	HOSE 10x3,6 - 1030mm		•		•
13	AA26-0113	HOSE 10x3,6 - 1500		•		•
14	AC12-0900	INJECTION PIPE VISION 1221		•		•
15	AC00-2500	BUSHING		•		•
16	AC05-2300	CHIMNEY 1221 Vision - boiler		•		•

Note:

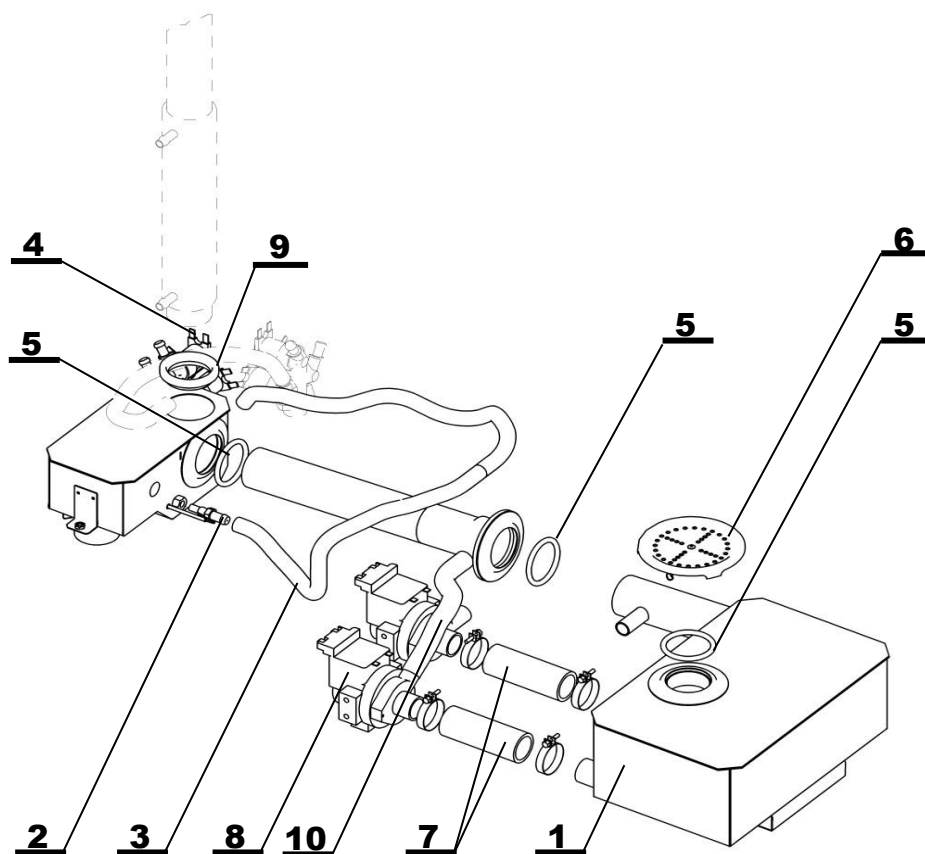
DRAINAGE SYSTEM ORANGE



Position	Code	Name	For type of combi oven			
			B1221i	B1221b	O1221i	O1221b
1	AX04-0002	SEAL ø 50			•	•
2	ZA13-1549	O-RING			•	•
3	AC02-2202	DRAIN CAP			•	•
4	AT01-0013	NOZZLE			•	•
5	AT26-0012	HOSE VALVE-RED. VALVE			•	•
6	EA12-0050	DOUBLE SOLENOID VALVE			•	•

Note:

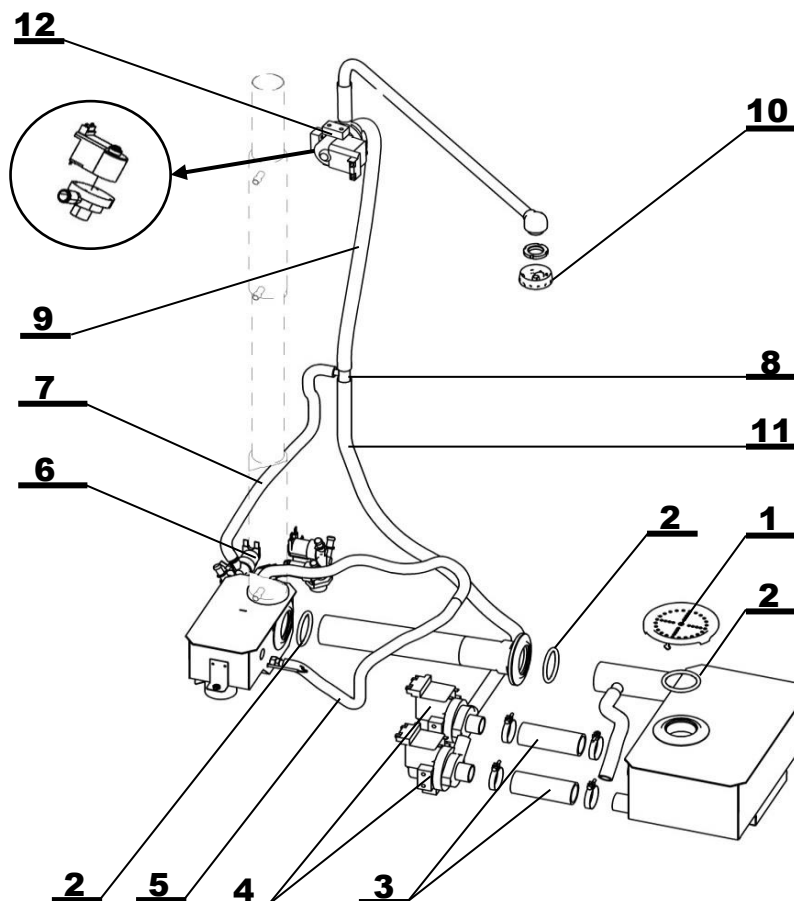
DRAINAGE SYSTEM BLUE



Position	Code	Name	For type of combi oven			
			B1221i	B1221b	O1221i	O1221b
1	AC32-1400	CLEANING BOX 1221	•	•		
2	AT01-0013	NOZZLE	•	•		
3	AT26-0012	HOSE VALVE-RED. VALVE	•	•		
4	EA12-0056	TRIPLE SOLENOID VALVE	•	•		
5	ZA13-1549	O-RING	•	•		
6	AC02-2202	DRAIN CAP	•	•		
7	AA00-0030	HOSE 70 mm BLACK	•	•		
8	EA12-0001	PUMP	•	•		
9	AX04-0002	SEAL ø 50	•	•		
10	AA26-0153	HOSE 16/22 - 200	•	•		

Note:

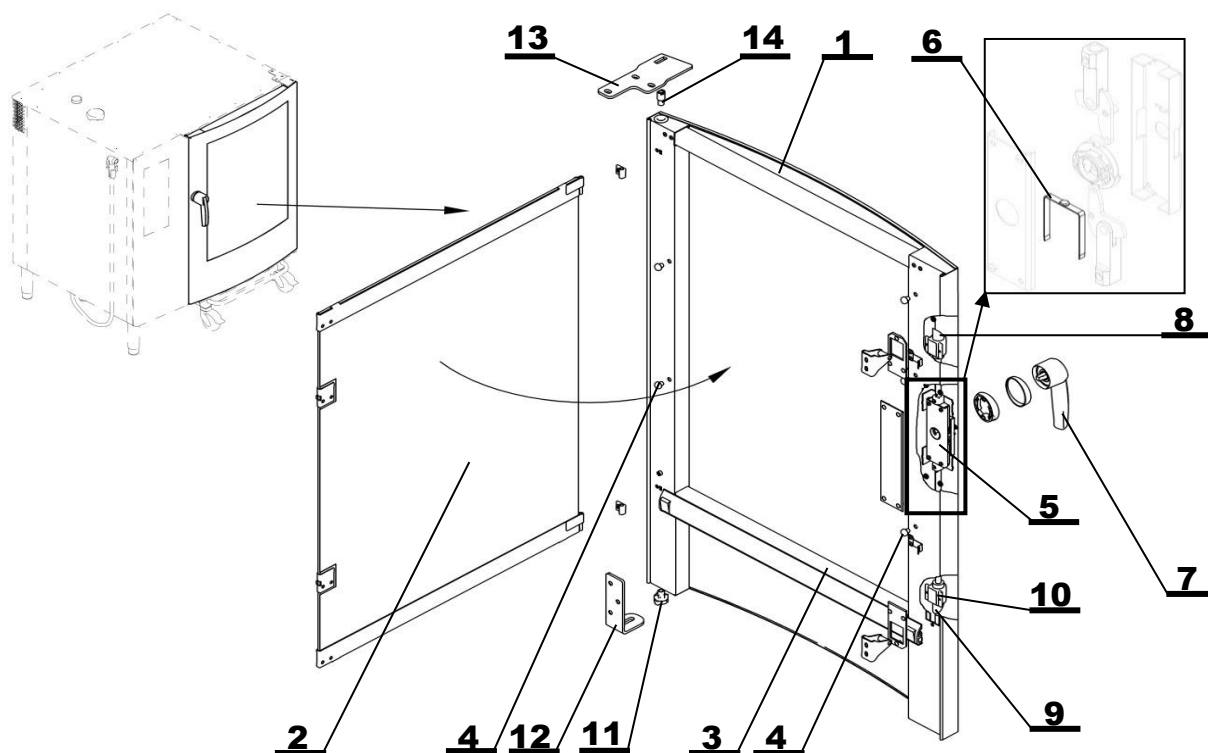
AUTOMATIC CLEANING SYSTEM



Position	Code	Name	For type of combi oven			
			B1221i	B1221b	O1221i	O1221b
1	AC02-2202	DRAIN CAP	•	•		
2	ZA13-1549	O-RING	•	•		
3	AA00-0030	HOSE 70 mm BLACK	•	•		
4	EA12-0001	PUMP	•	•		
5	AT26-0012	HOSE VALVE-RED. VALVE	•	•		
6	EA12-0056	TRIPLE SOLENOID VALVE	•	•		
7	AA26-0100	HOSE 10x3,6 - 440	•	•		
8	ZA10-0556	T-FITTING TRS 18-10-18	•	•		
9	AA26-0154	HOSE 16/22 - 600	•	•		
10	AA32-0050	CLEANING NOZZLE	•	•		
11	AA26-0159	HOSE 16/22 - 800	•	•		
12	EA12-0001	PUMP	•	•		
	ZA14-0105	PUMP COVER	•	•		

Note:

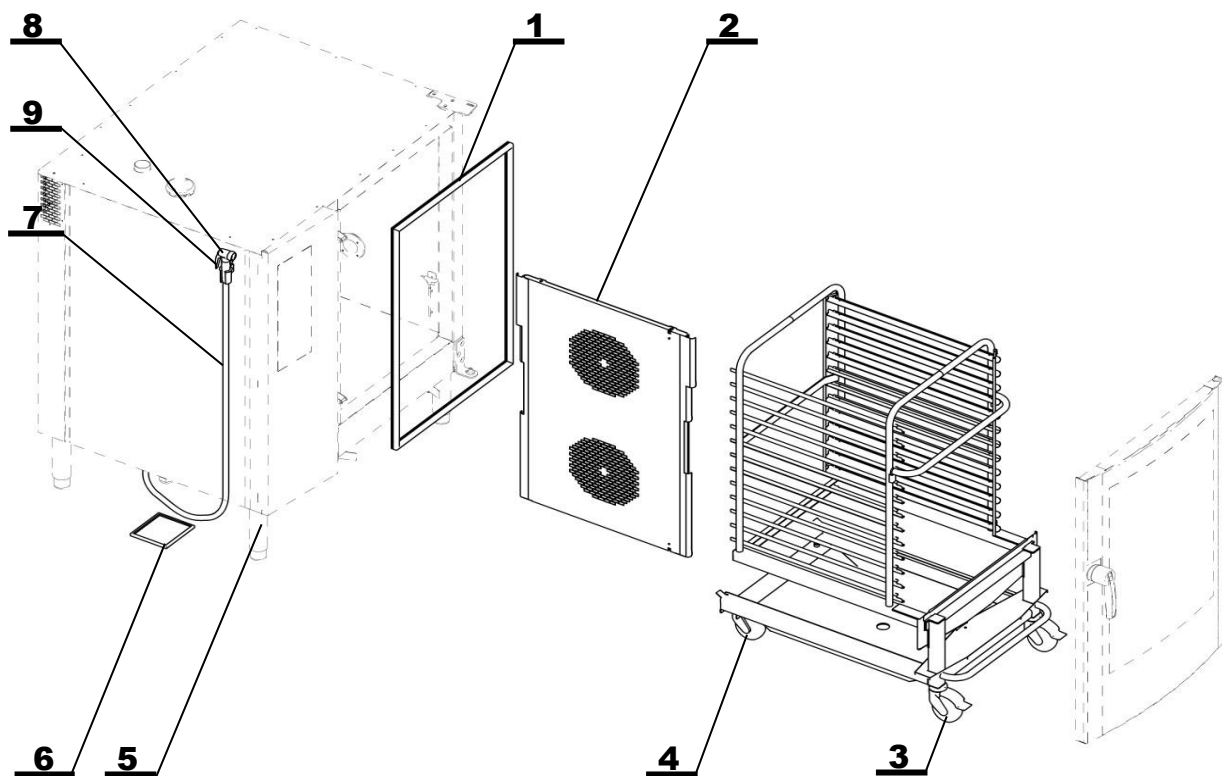
DOOR VISION



Position	Code	Name	For type of combi oven			
			B1221i	B1221b	O1221i	O1221b
1	AC03-3700	DOOR 1221 - 07 VISION COMPLETE	•	•	•	•
2	AC03-3702	INNER GLASS 1221 - 07 VISION	•	•	•	•
3	AX03-0078	DOOR SEAL 20,1221 TROLEY-VISION	•	•	•	•
4	AX03-0076	WINDOW STOP	•	•	•	•
5	AC08-0201	MECHANISM DA 20	•	•	•	•
6	AC08-0208	SPRING	•	•	•	•
7	AC08-0600	HANDLE 20, 1221 Vision	•	•	•	•
8	AC08-0604	UPPER ROD 1221-07	•	•	•	•
9	AC08-0605	LOWER ROD 1221-07	•	•	•	•
10	AT08-0049	BUSH	•	•	•	•
11	AX00-0028	LOWER HINGE PIN	•	•	•	•
12	AP00-0161	BOTTOM HINGE 20, 12	•	•	•	•
13	AP00-0157	UPPER HINGE 20, 12	•	•	•	•
14	AT00-0053	PIN	•	•	•	•

Note:

ACCESSORIES



Position	Code	Name	For type of combi oven			
			B1221i	B1221b	O1221i	O1221b
1	AX00-0037	DOOR SEAL 1221 VISION	•	•	•	•
2	AC14-2700	INNER WALL 1221 - VISION (SINCE 2012)	•	•	•	•
3	ZA16-0004	WHEEL WITH BRAKE	•	•	•	•
4	ZA16-0003	WHEEL	•	•	•	•
5	ZA15-0008	LEG 20 VISION	•	•	•	•
6	ZA17-0010	AIR FILTER VISION	•	•	•	•
7	ZA11-0904	RUBBER HOSE FOR SHOWER 2,1m	•	•	•	•
8	ZA15-0100	SHOWER KLARCO	•	•	•	•
9	AT00-0002	SHOWER HOLDER KLARCO	•	•	•	•

Note:

retigo®
Mision

RETIGO s.r.o.
Láň 2310, PS43
756 64 Rožnov pod Radhoštěm
email: service@retigo.com
tel.: +420 571 665 561