



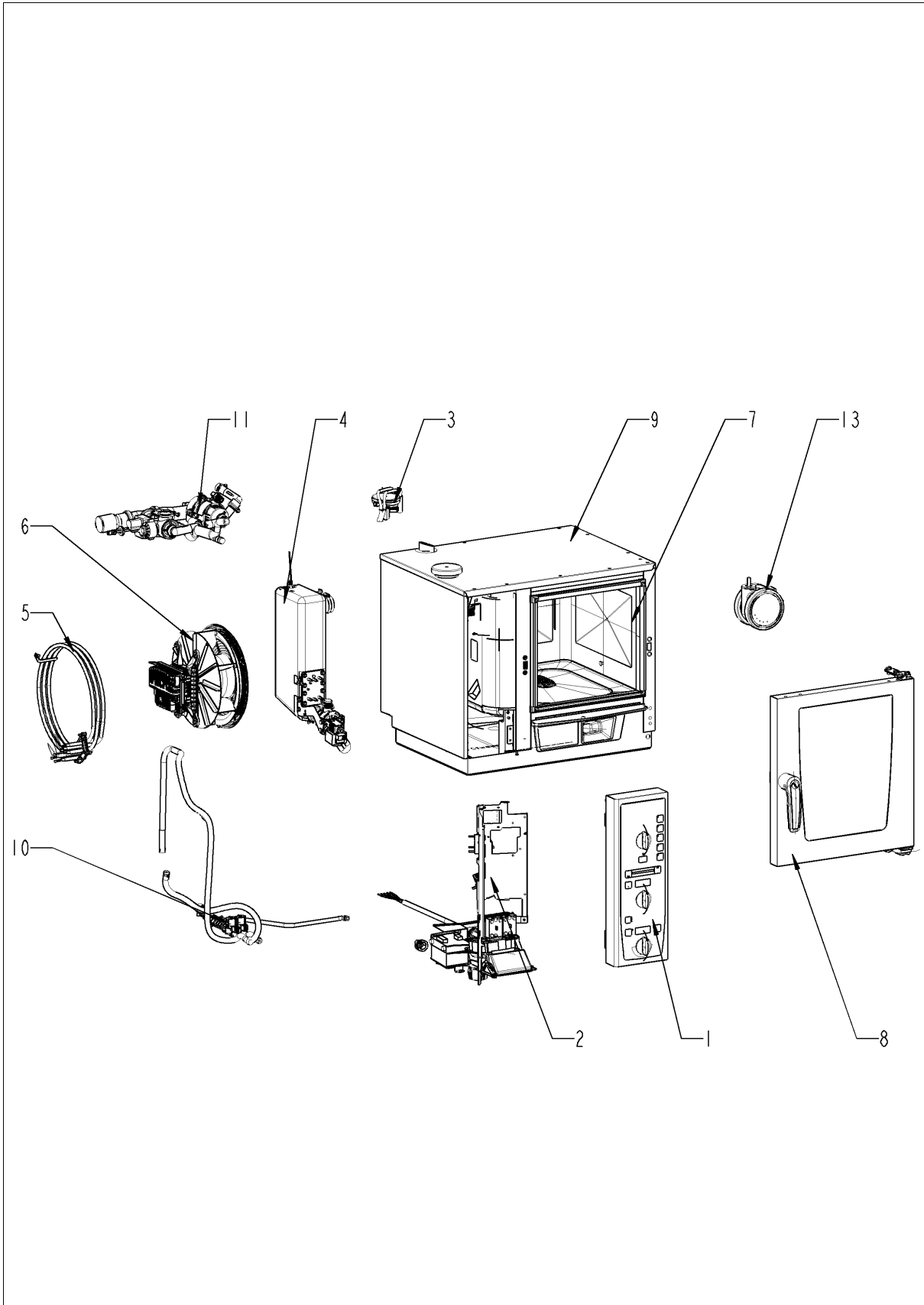
# Service part catalogue

iCombi® ab 03/2020 XS - 6 x 2/3 Gastronorm

E60MJ2109



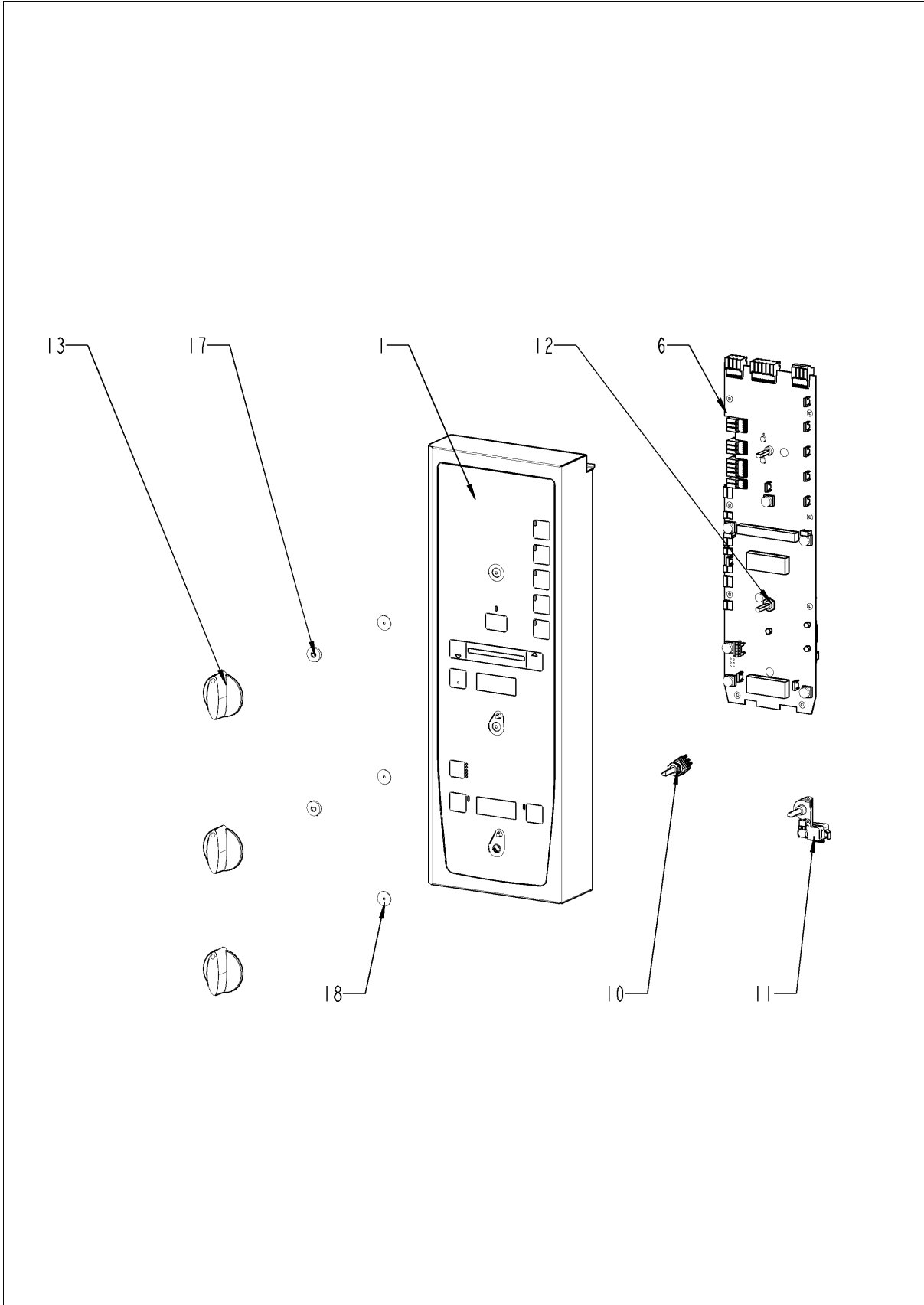
# Overview



## Overview

| Pos. | Assembly                      | Page |
|------|-------------------------------|------|
| 1    | Control panel .....           | 4    |
| 2    | Electrical installation ..... | 6    |
| 3    | ClimaPlus .....               | 12   |
| 4    | Steam generator .....         | 14   |
| 5    | Hot air heating .....         | 16   |
| 6    | Motor and fan wheel .....     | 18   |
| 7    | Interior cabinet .....        | 20   |
| 8    | Door .....                    | 22   |
| 9    | Exterior cabinet .....        | 26   |
| 10   | Water .....                   | 30   |
| 11   | CleanJet + Care .....         | 32   |
| 13   | Standard accessory .....      | 34   |

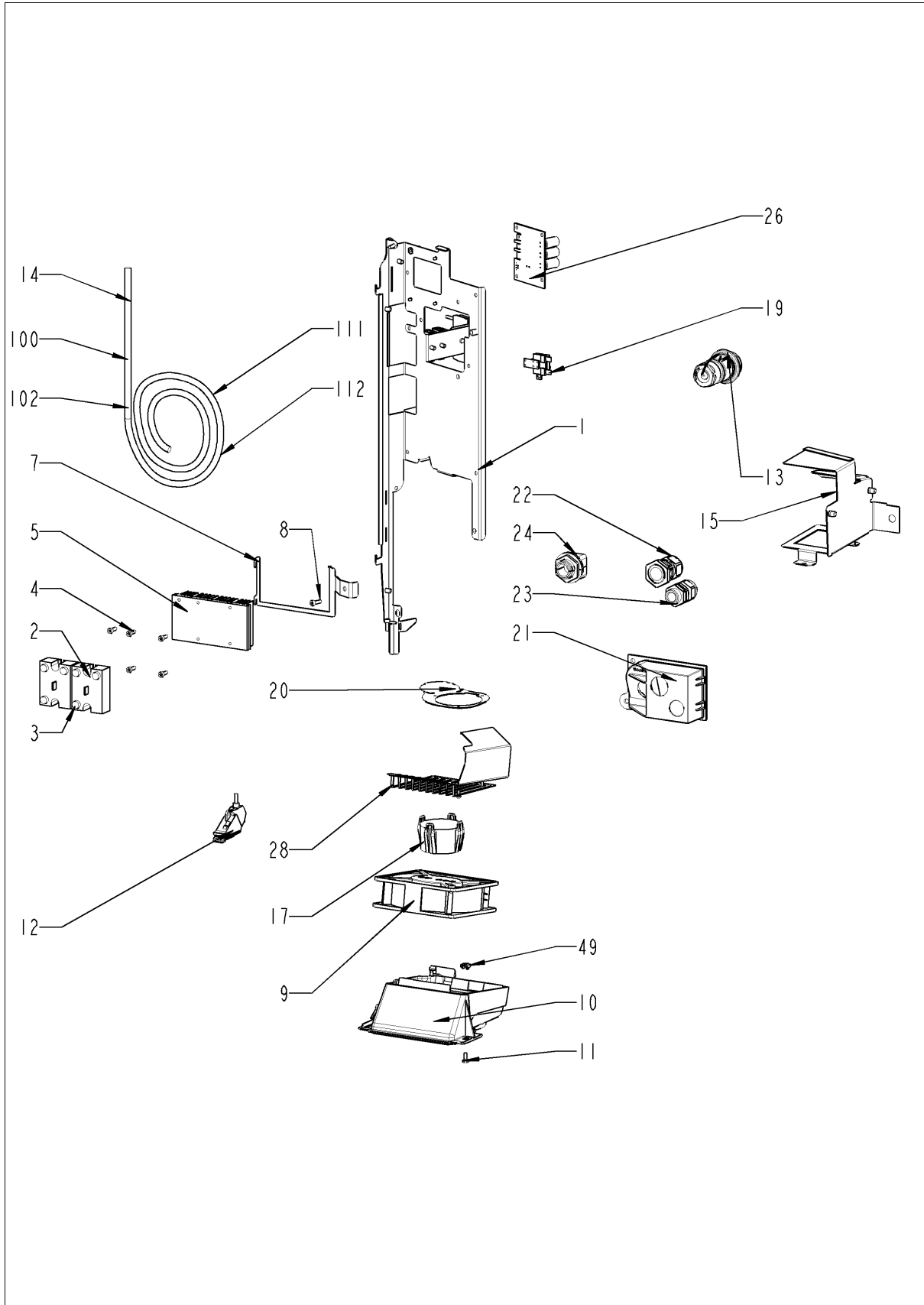
## Control panel



## Control panel

| Pos. | Part no.   | Description                    | Qty. |
|------|------------|--------------------------------|------|
| 1    | 87.01.389  | Front panel with overlay *RAT* | 1    |
| 6    | 42.00.272P | Control pcb                    | 1    |
| 7    | 10.00.916P | Hex nut M4 w. locking          | 8    |
| 8    | 87.00.039  | External memory flashed        | 1    |
| 10   | 40.00.464P | Potentiometer CT               | 1    |
| 11   | 42.00.094P | Mode switch mechanism          | 1    |
| 12   | 42.00.044P | Pot. Hot Air                   | 1    |
| 13   | 16.03.205P | Dial                           | 1    |
| 17   | 5110.1027P | Distance plate for front panel | 1    |
| 18   | 5110.1029P | Gasket mode switch             | 1    |

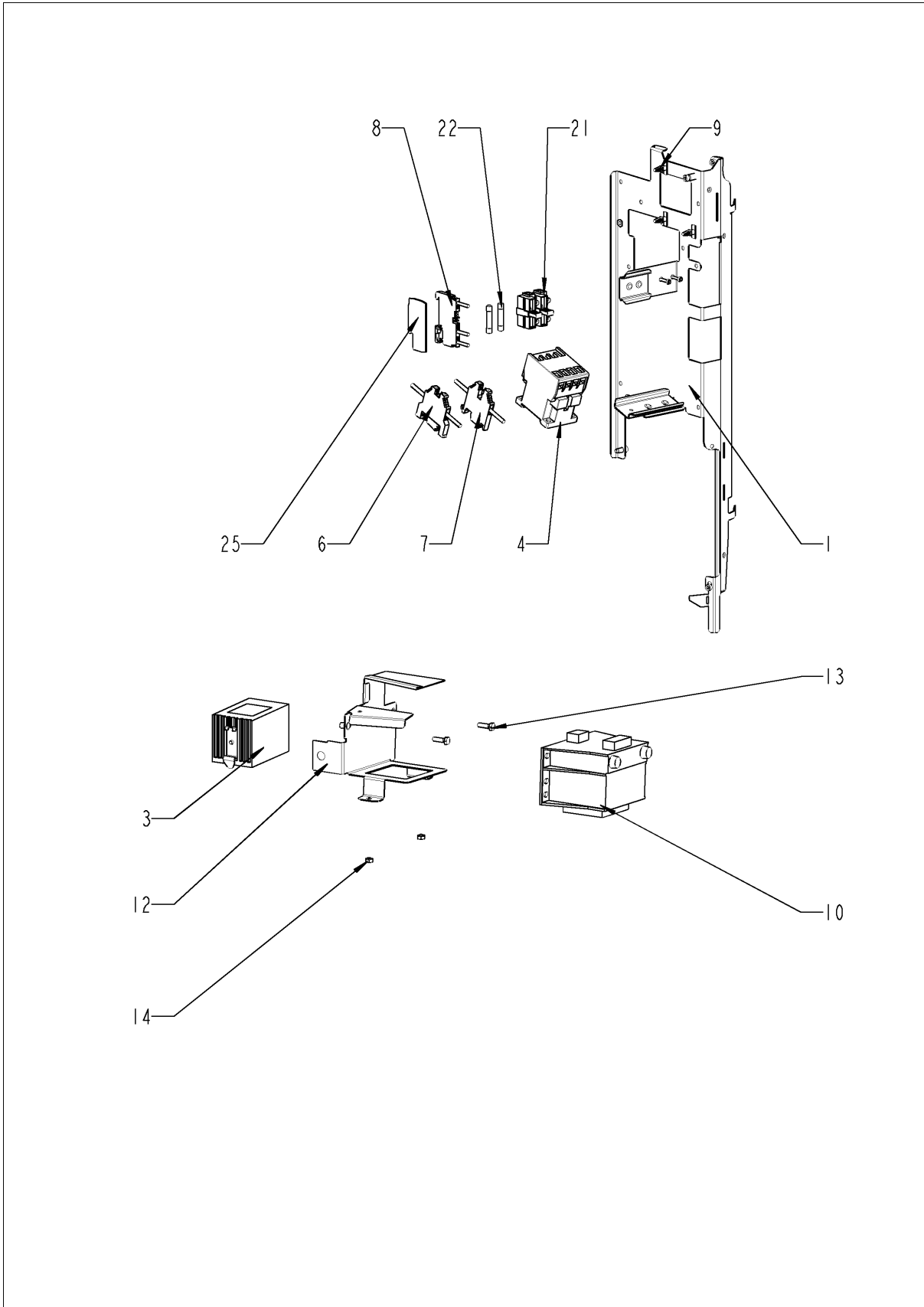
# Electrical installation



## Electrical installation

| Pos. | Part no.   | Description                              | Qty. |
|------|------------|--|------|
| 1    |            | Electrical installation                  | 1    |
| 2    | 40.01.589P | Solid state relais                       | 2    |
| 3    | 10.01.266P | Pan head screw Torx T20 10,5mm           | 6    |
| 4    | 10.00.061P | Pan head screw Torx T20 M4x12            | 4    |
| 5    | 40.04.795P | Heat sink small SSR                      | 1    |
| 7    | 40.05.037P | Mounting device heat sink SSR            | 1    |
| 8    | 10.00.061P | Pan head screw Torx T20 M4x12            | 1    |
| 9    | 40.04.115P | Cooling fan                              | 1    |
| 10   | 40.05.016P | Air shaft cpl.                           | 1    |
| 11   | 10.00.061P | Pan head screw Torx T20 M4x12            | 1    |
| 12   | 40.05.487P | USB socket with cable + cover            | 1    |
| 15   | 40.04.910P | Mounting support transformer             | 1    |
| 16   | 1006.0762P | Hex screw M6x10                          | 1    |
| 17   | 40.03.257P | Converter 230VAC 24VDC                   | 1    |
| 18   | 10.00.111P | Cable clip long                          | 2    |
| 19   | 40.04.048P | Buzzer                                   | 1    |
| 20   | 40.04.810P | Mounting device for cooling fan          | 1    |
| 21   | 50.01.786S | Cable entry                              | 1    |
| 22   | 40.04.530P | Cable connection M25x1.5                 | 1    |
| 23   | 40.00.320S | Cable gland M20x1.5                      | 1    |
| 24   | 40.04.495P | Cable connection M25 ø5mm *divisible*    | 1    |
| 26   | 42.00.223P | Power supply for standard interior light | 1    |
| 27   | 10.00.061P | Pan head screw Torx T20 M4x12            | 2    |
| 28   | 40.04.811P | Grid for fan assembly                    | 1    |
| 100  | 40.05.361P | Cable control harness                    | 1    |
| 102  | 40.04.866P | Cable control harness                    | 1    |
| 111  | 40.04.089P | Bus cable *Ferrite ring* 1.15m           | 1    |
| 112  | 40.05.049P | Power supply cable 3x4mm <sup>2</sup> 3m | 1    |

## Electrical installation



## Electrical installation

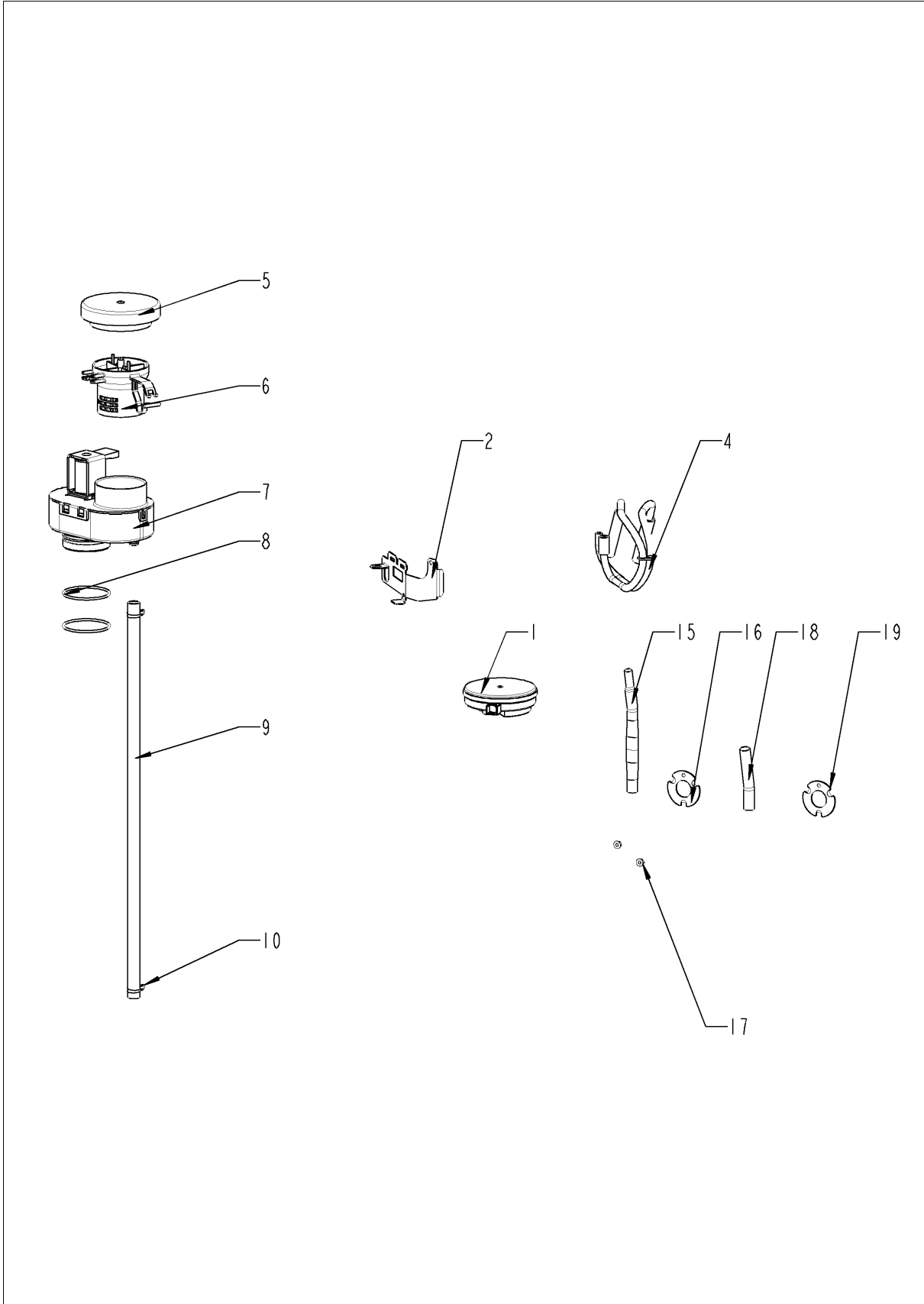
| Pos. | Part no.   | Description                        | Qty. |
|------|------------|------------------------------------|------|
| 1    | 40.04.908P | Contacteur assembly                | 1    |
| 2    | 1004.0666P | Hex screw M4x10                    | 1    |
| 3    | 40.02.424P | Electronic noise filter            | 1    |
| 4    | 40.05.690P | Contacteur K3-10NBV10 190RT        | 1    |
| 6    | 40.03.743P | Earth terminal WK4 SL/U            | 1    |
| 7    | 40.04.121P | Terminal block blue WK4/UBL        | 1    |
| 8    | 40.05.261P | Terminal block WTP 2,5/4 D1/2 grey | 1    |
| 9    | 40.03.533P | Fixing clip f. pcb                 | 1    |
| 10   | 87.01.297  | Control transformer T1             | 1    |
| 11   | 3019.0120P | Fuse 5x20mm                        | 1    |
| 12   | 3019.0114P | Fuse 5A 250V                       | 1    |
| 13   | 1008.0750P | Hex screw M5x16                    | 2    |
| 14   | 10.01.065P | Hex nut M5                         | 2    |
| 20   | 10.01.776P | Pan head screw Torx T20 M4x12      | 1    |
| 21   | 40.02.512P | Fuse holder 2x6.3A                 | 1    |
| 22   | 4001.0224P | Fuse 6.35x32mm 6.3A                | 2    |
| 25   | 40.05.262P | End cover APFN 2,5 D1/2/35         | 1    |

## Air shaft cpl.

## Air shaft cpl.

| Pos. | Part no.   | Description      | Qty. |
|------|------------|------------------|------|
| 1    | 40.04.771P | Air inlet filter | 1    |

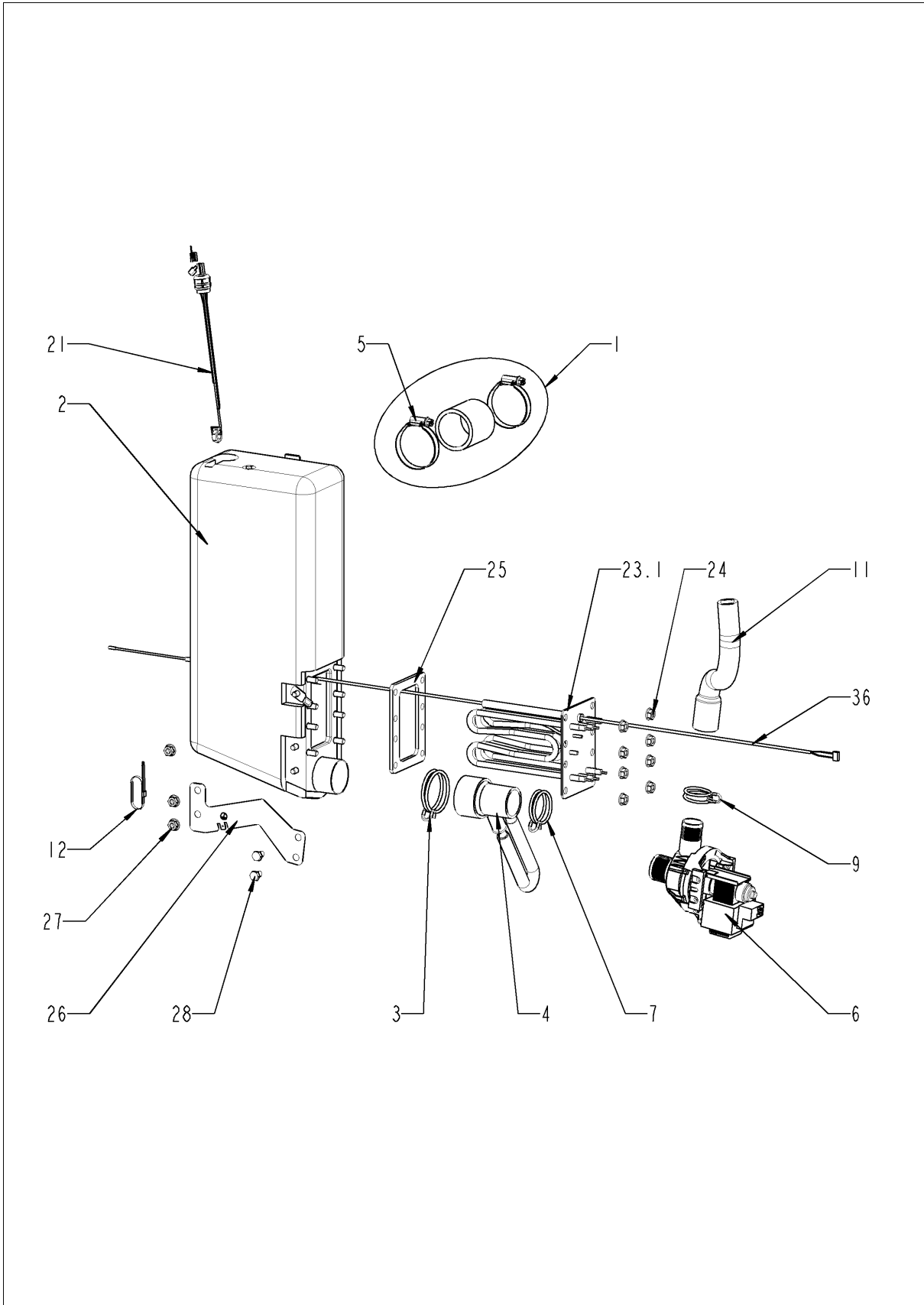
# ClimaPlus



## ClimaPlus

| Pos. | Part no.   | Description                        | Qty. |
|------|------------|------------------------------------|------|
| 1    | 3017.1011P | Pressure sensor Huba 401           | 1    |
| 2    | 40.04.835P | Mounting device f. pressure sensor | 1    |
| 3    | 10.00.061P | Pan head screw Torx T20 M4x12      | 1    |
| 4    | 22.01.116P | Hose set f. humidity control       | 1    |
| 5    | 22.01.112P | Vent cover                         | 1    |
| 6    | 22.00.914P | Air inlet pipe                     | 1    |
| 7    | 22.00.725P | Humidity control cpl.              | 1    |
| 8    | 22.00.837P | O-ring for humidity control        | 2    |
| 9    | 22.01.322P | Drain hose for humidity control    | 1    |
| 10   | 2066.0527P | Hose clamp ø14mm                   | 2    |
| 15   | 22.01.105S | Inner humidity meas. Piece         | 1    |
| 16   | 22.00.881P | Gasket f. hum. meas. Pipe          | 1    |
| 17   | 10.00.916P | Hex nut M4 w. locking              | 3    |
| 18   | 22.01.107S | Outer humidity meas. Piece         | 1    |
| 19   | 22.00.881P | Gasket f. hum. meas. Pipe          | 2    |
| 20   | 10.00.916P | Hex nut M4 w. locking              | 6    |

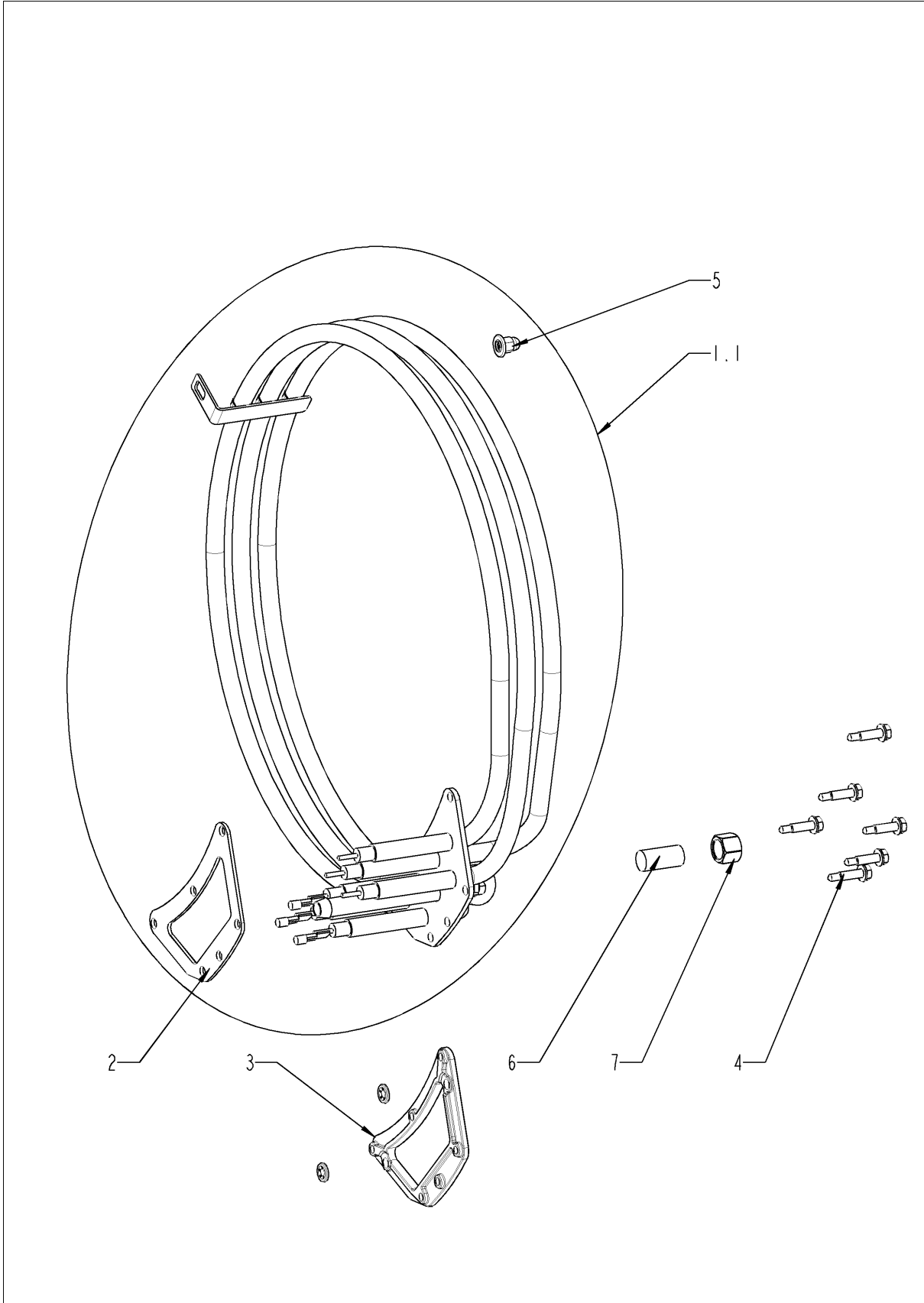
# Steam generator



## Steam generator

| Pos. | Part no.   | Description                           | Qty. |
|------|------------|---------------------------------------|------|
| 1    | 44.01.463S | Steam hose kit Ø40x50mm               | 1    |
| 2    | 87.01.459  | Steam generator insulated *Service*   | 1    |
| 3    | 2066.0526P | Hose clamp ø46mm                      | 1    |
| 4    | 8354.1320P | Pump connection spout cpl.            | 1    |
| 5    | 10.01.868P | Hose clamp 32-50mm                    | 2    |
| 6    | 44.00.207P | Emptying pump                         | 1    |
| 7    | 2066.0519P | Hose clamp Ø35,6mm                    | 1    |
| 9    | 2066.0518P | Hose clamp 30mm                       | 1    |
| 10   | 44.01.918P | Bushing for filling steam generator   | 1    |
| 11   | 44.01.470P | Drain hose steam generator            | 1    |
| 12   | 10.00.414P | Cable strap black 120°                | 1    |
| 16   | 2067.0050  | Pressure hose d10mm                   | .85  |
| 17   | 2066.0205P | Hose clamp 8-16x9 mm SW 7mm           | 1    |
| 21   | 44.01.581P | Filling level electrode 170 mm        | 1    |
| 23.1 | 87.01.360  | Heating element with gasket           | 1    |
| 24   | 10.00.709P | Hex nut M6 w. locking                 | 1    |
| 25   | 44.01.433P | Gasket f. heating element             | 1    |
| 26   | 44.01.445P | Fixing device f. pump steam generator | 1    |
| 27   | 10.00.709P | Hex nut M6 w. locking                 | 2    |
| 28   | 1006.0762P | Hex screw M6x10                       | 2    |
| 29   | 40.01.329S | Dry up protector 183°C                | 1    |
| 36   | 40.04.105P | Thermocouple steam generator *B5*     | 1    |
| 37   | 22.01.179P | Hose set for ventilation              | 1    |

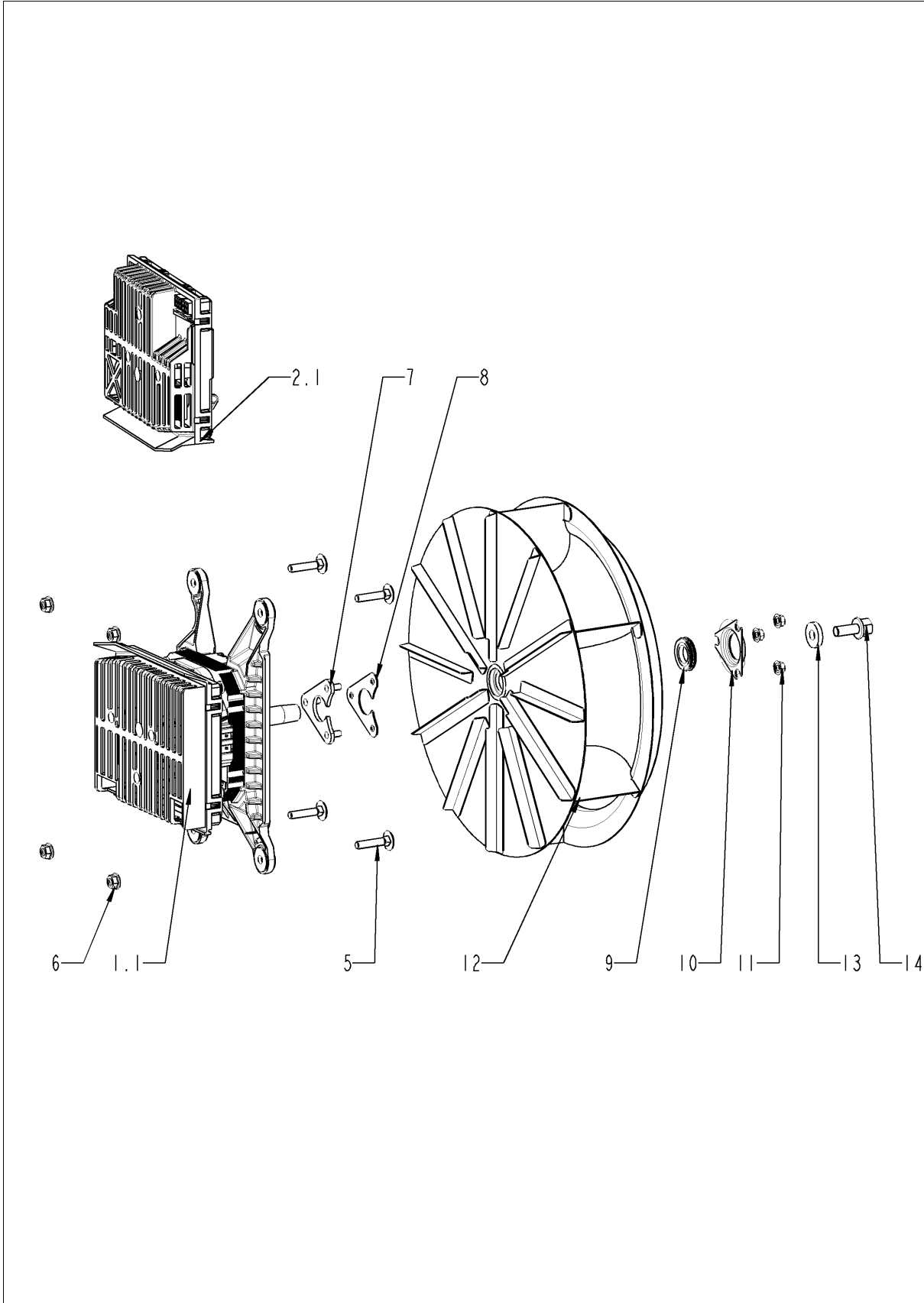
## Hot air heating



## Hot air heating

| Pos. | Part no.   | Description                       | Qty. |
|------|------------|-----------------------------------|------|
| 1.1  | 87.01.436  | Heating assembly with gasket      | 1    |
| 2    | 46.00.170P | Gasket f. heating assembly        | 1    |
| 3    | 46.00.171P | Mating flange f. heating assembly | 1    |
| 4    | 10.00.109P | Hex screw M5x23                   | 6    |
| 5    | 10.01.076P | Cap nut M5*A2                     | 1    |
| 6    | 10.00.991P | Sealing cap                       | 1    |
| 7    | 50.01.454P | Cap nut M12x11.5                  | 1    |

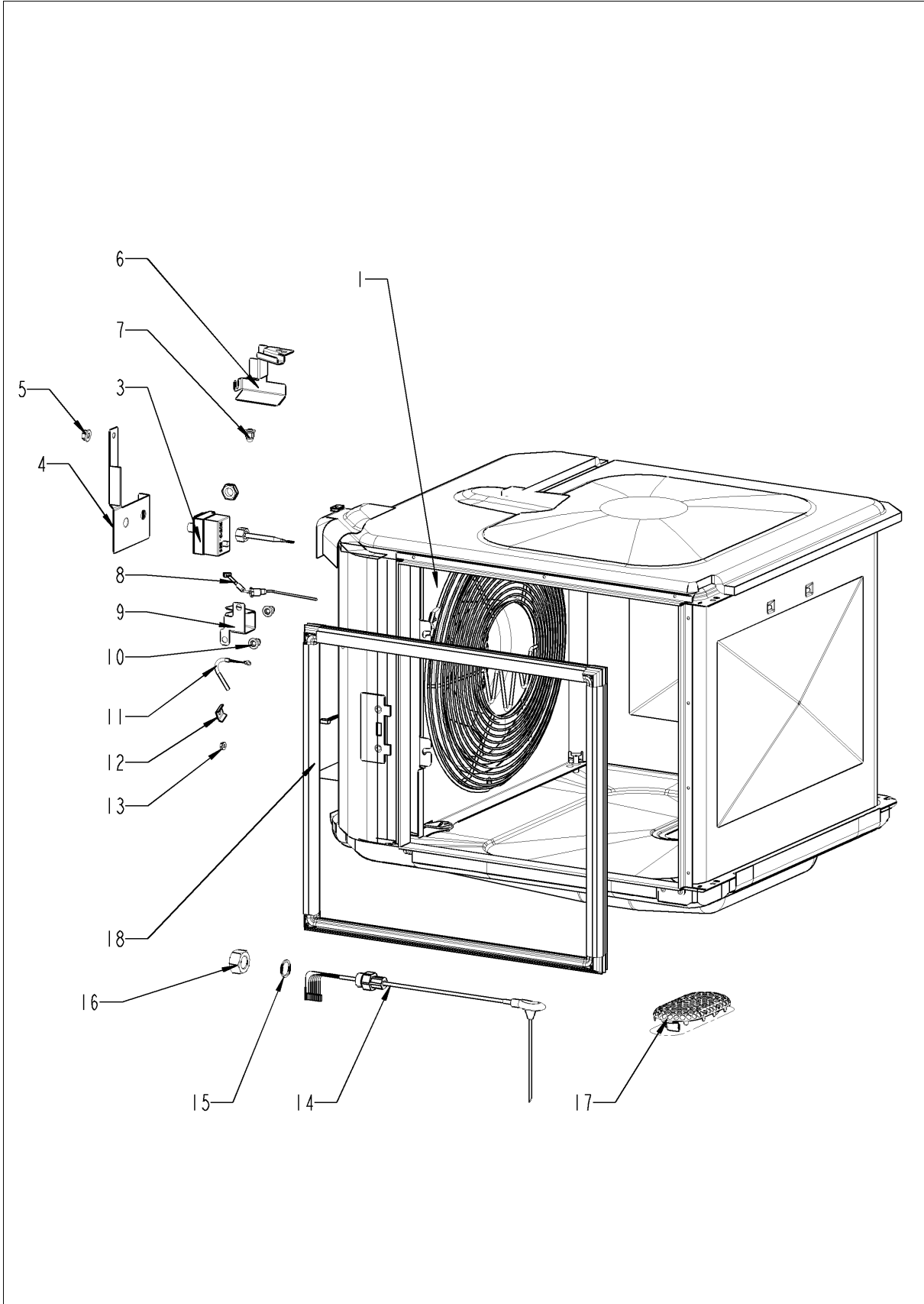
## Motor and fan wheel



## Motor and fan wheel

| Pos. | Part no.   | Description                           | Qty. |
|------|------------|---------------------------------------|------|
| 1.1  | 87.01.374  | Fan motor                             | 1    |
| 2.1  | 87.01.376  | Motor control for fan motor           | 1    |
| 4    | 20.02.677P | Bushing for motor mounting bar        | 1    |
| 5    | 10.01.049P | Square necked mushroom head bolt 6x30 | 4    |
| 6    | 10.01.490P | Hex nut M6                            | 4    |
| 7    | 22.00.722P | Mounting support f. gasket flange     | 1    |
| 8    | 22.01.196P | Graphit seal for gasket flange        | 1    |
| 9    | 22.00.985P | Motor shaft gasket D15                | 1    |
| 10   | 22.00.721P | Flange f. motor shaft gasket          | 1    |
| 11   | 10.01.065P | Hex nut M5                            | 3    |
| 12   | 22.01.062S | Fan wheel                             | 1    |
| 13   | 1308.0162P | Washer A8,4                           | 1    |
| 14   | 10.00.936P | Hex screw M8x20                       | 1    |

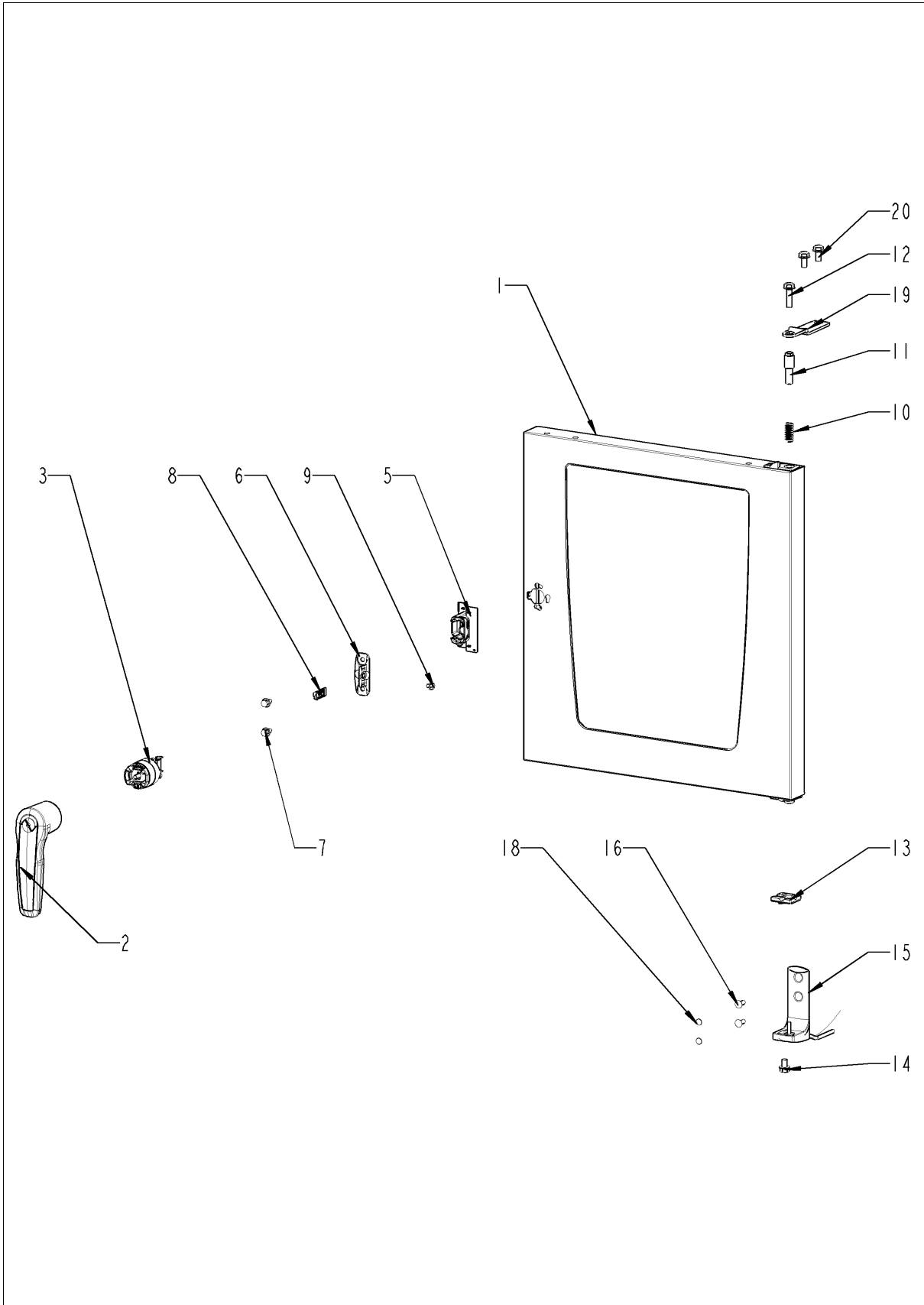
# Interior cabinet



## Interior cabinet

| Pos. | Part no.   | Description                                  | Qty. |
|------|------------|--|------|
| 1    | 22.01.014P | Air baffle                                   | 1    |
| 3    | 40.01.482S | Safety temperature limiter 365°C             | 1    |
| 4    | 40.04.834P | Fixing device for safety temperature limiter | 1    |
| 5    | 10.00.709P | Hex nut M6 w. locking                        | 1    |
| 6    | 40.04.844P | Screen for safety temperature limiter        | 1    |
| 7    | 10.01.076P | Cap nut M5*A2                                | 1    |
| 8    | 40.04.869P | Thermocouple interior cabinet B1             | 1    |
| 9    | 40.03.782P | Screen interior cabinet sensor               | 1    |
| 10   | 10.01.076P | Cap nut M5*A2                                | 2    |
| 11   | 40.04.907S | Thermocouple humidity *B4*                   | 1    |
| 12   | 10.00.087P | Clamp strap f. sensor                        | 1    |
| 13   | 10.00.916P | Hex nut M4 w. locking                        | 1    |
| 14   | 40.05.255P | Meat probe sensor                            | 1    |
| 15   | 1315.0104P | Copper washer 16x20x1,5                      | 1    |
| 16   | 10.01.751P | Hex nut M16 DIN934 A2                        | 1    |
| 17   | 20.02.515P | Outlet sieve                                 | 1    |
| 18   | 20.02.549P | Door gasket                                  | 1    |

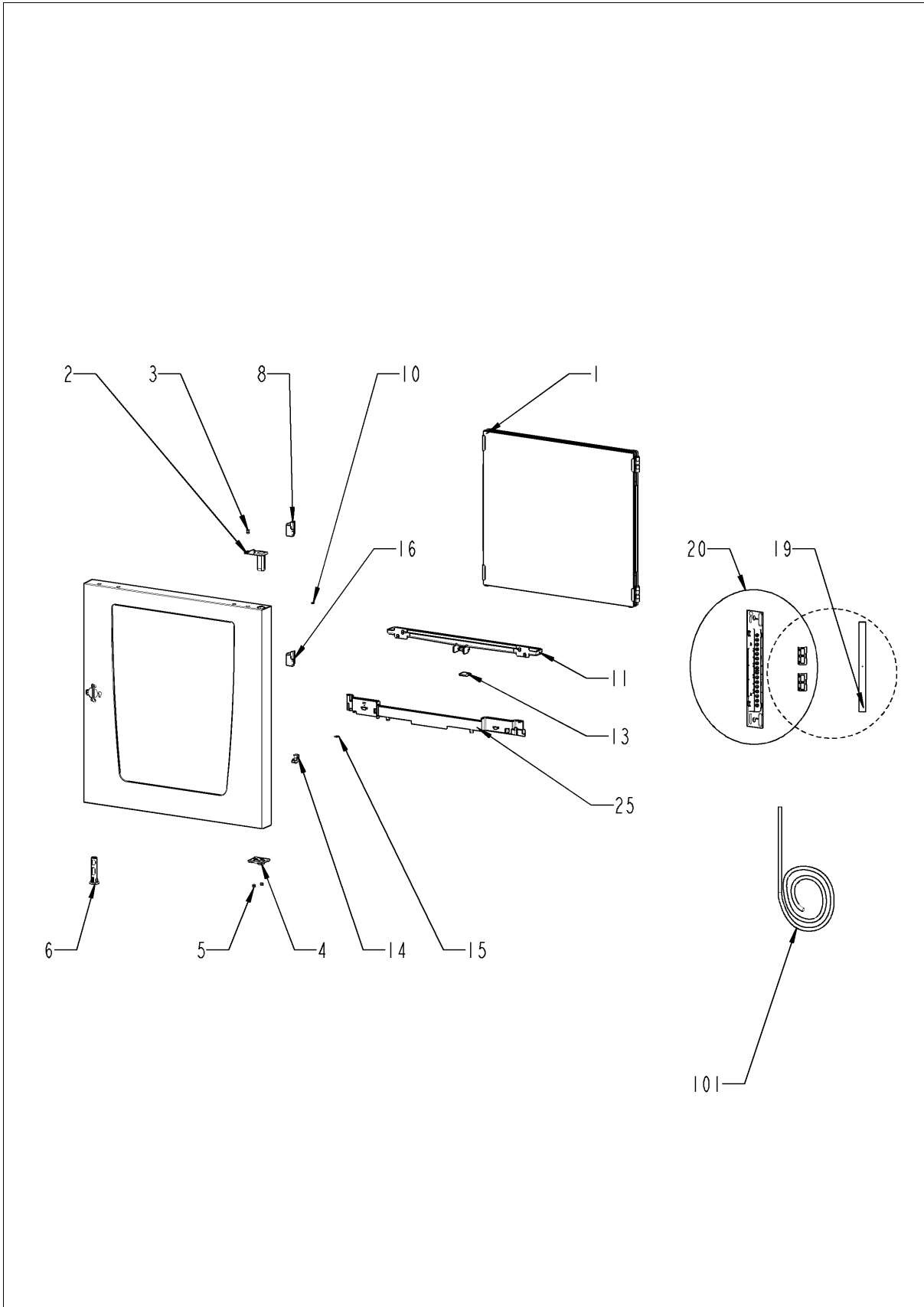
# Door



## Door

| Pos. | Part no.   | Description                          | Qty. |
|------|------------|--------------------------------------|------|
| 1    | 24.04.783P | Door                                 | 1    |
| 2    | 24.02.937P | Door handle                          | 1    |
| 3    | 24.03.041P | Door lock with spring U-bolt         | 1    |
| 5    | 24.03.184P | Lock cover                           | 1    |
| 6    | 24.02.958P | Holding bracket f. door catch        | 1    |
| 7    | 1006.0760P | Hex screw M6x16                      | 2    |
| 8    | 24.02.959P | Door catch                           | 1    |
| 9    | 24.02.960P | Interlocking tooth screw M5x6        | 1    |
| 10   | 2001.0109P | Compression spring                   | 1    |
| 11   | 24.03.040P | Door bolt                            | 1    |
| 12   | 1008.0769P | Ornamental screw M8x30               | 1    |
| 13   | 24.02.951P | Door bolt                            | 1    |
| 14   | 10.01.527P | Hex screw M8x12                      | 1    |
| 15   | 24.03.357P | Door mounting support bottom         | 1    |
| 16   | 1006.1962P | Countersunk screw Torx M6x16         | 1    |
| 17   | 24.03.786P | Cap for door mounting support bottom | 1    |
| 18   | 10.00.090P | Cap f. Torx T30                      | 2    |
| 19   | 24.03.399P | Door mounting support top            | 1    |
| 20   | 1008.0768P | Ornamental screw M8x16               | 2    |
| 21   | 1306.0120P | Washer A6,4                          | 2    |

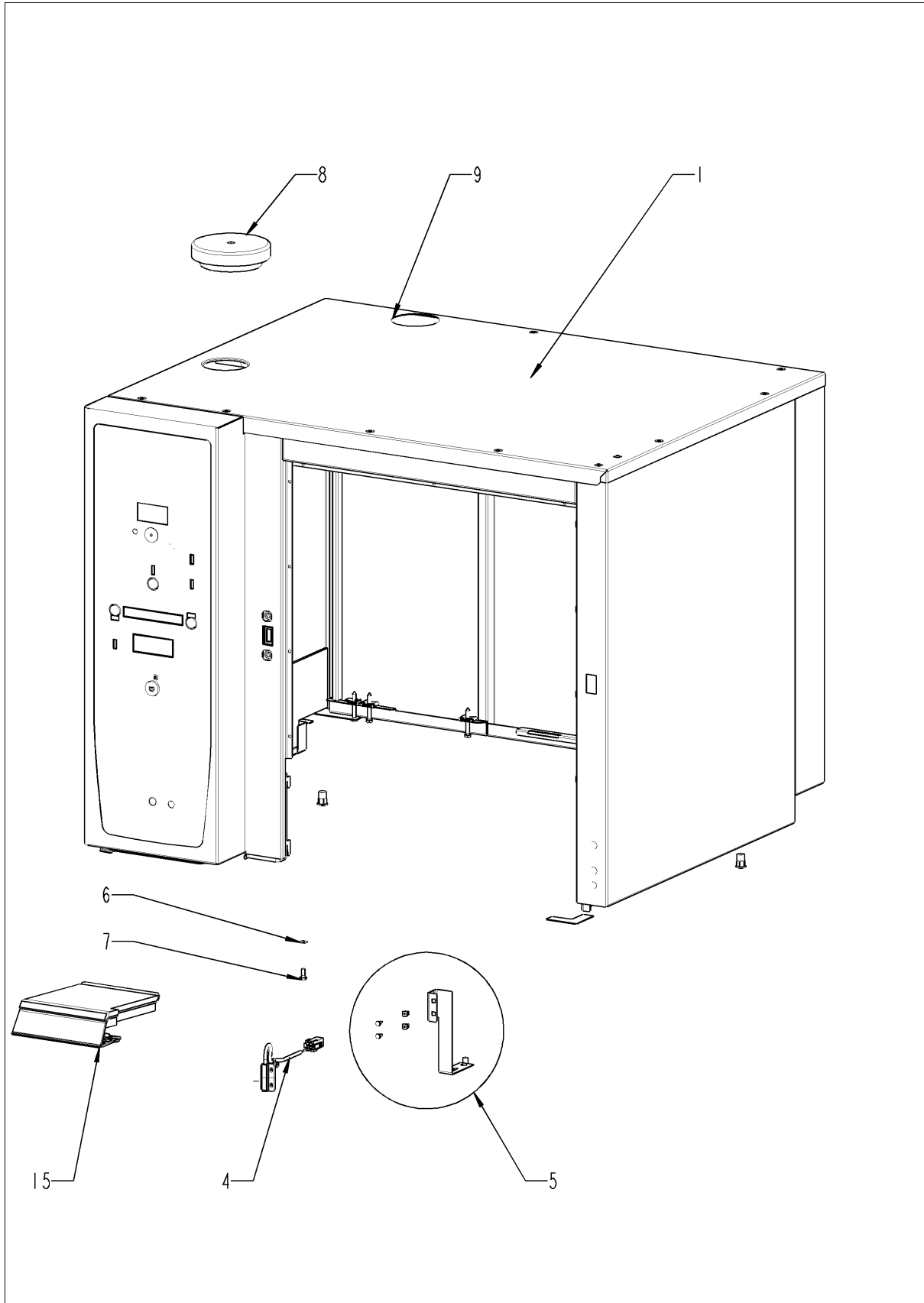
# Door



## Door

| Pos. | Part no.   | Description                                | Qty. |
|------|------------|--|------|
| 1    | 87.01.416  | Glass pane bundle                          | 1    |
| 2    | 24.03.052P | Sleeve for door bolt top                   | 1    |
| 3    | 10.00.890P | Rivet 4x10                                 | 1    |
| 4    | 24.02.966P | Door setting bolt                          | 1    |
| 5    | 10.00.904P | Rivet B4x8                                 | 2    |
| 6    | 24.00.502P | Fixing device f. magnet with magnet        | 1    |
| 11   | 24.03.021P | Door drip collector                        | 1    |
| 13   | 24.03.355P | Drain seal for door drip collector         | 1    |
| 14   | 24.03.056P | Slide bush for door                        | 1    |
| 15   | 24.03.057P | Abrasion protection for glide socket       | 1    |
| 16   | 24.03.787S | Fixing bracket kit for interior glass pane | 2    |
| 17   | 1604.0161P | Rivet 4x6 CNS                              | 1    |
| 19   | 87.01.368  | LED bar, left/right                        | 2    |
| 20   | 87.01.365  | LED optics                                 | 2    |
| 21   | 24.05.458P | Plastic spreader rivet                     | 4    |
| 25   | 24.03.467P | Cable shaft for door                       | 1    |
| 101  | 87.01.613S | Wire set for door lighting                 | 1    |

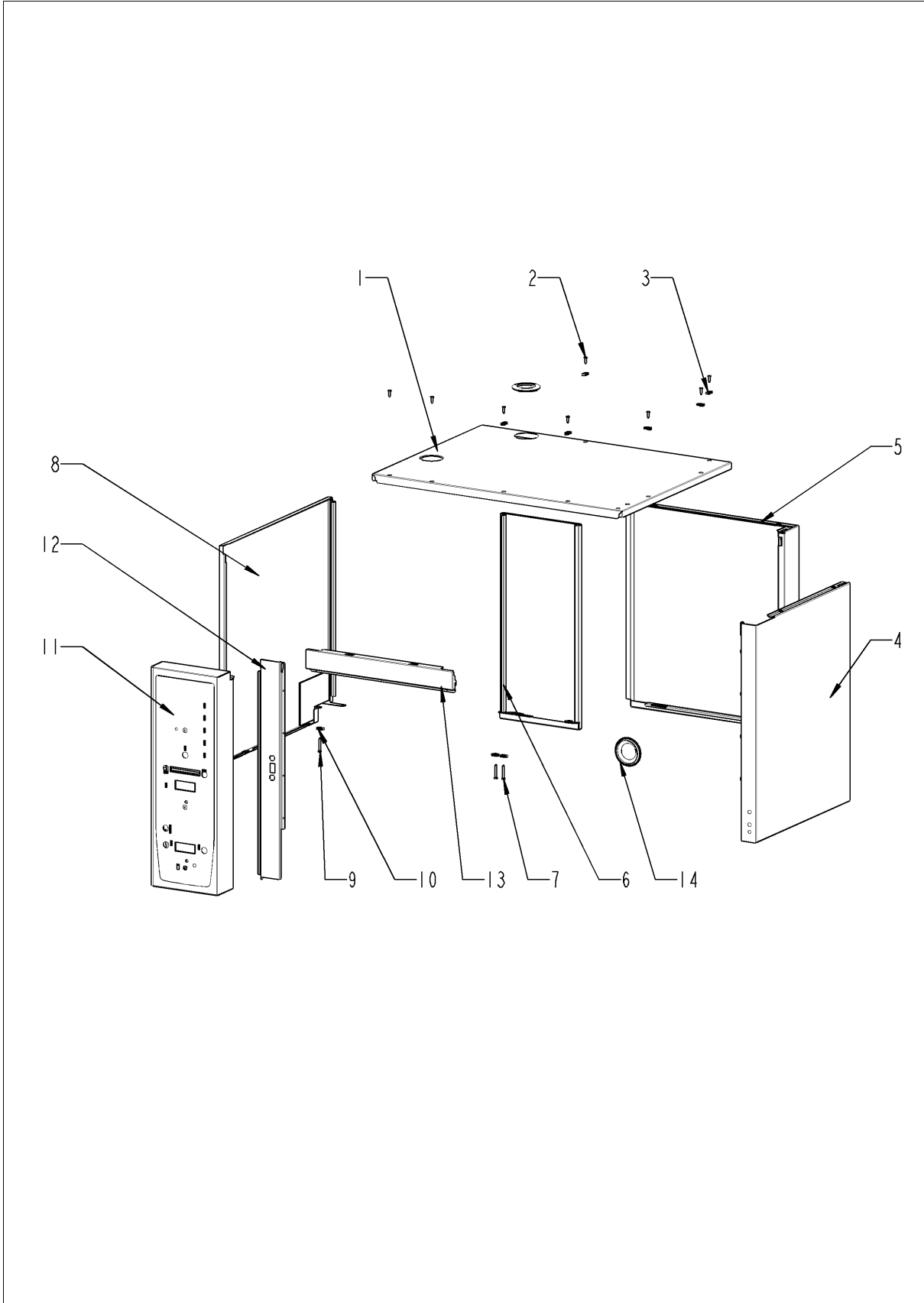
## Exterior cabinet



## Exterior cabinet

| Pos. | Part no.   | Description                     | Qty. |
|------|------------|---------------------------------|------|
| 1    |            | Exterior cabinet                | 1    |
| 2    | 10.01.076P | Cap nut M5*A2                   | 1    |
| 3    | 1205.0120P | Tooth lock washer A5,3          | 1    |
| 4    | 40.04.342P | Door switch 0.45m               | 1    |
| 5    | 12.01.871S | Bracket for door contact switch | 1    |
| 6    | 1304.0160P | Washer A4,3                     | 2    |
| 7    | 1004.0666P | Hex screw M4x10                 | 2    |
| 8    | 22.01.112P | Vent cover                      | 1    |
| 9    | 56.00.800P | Gasket f. breather tube         | 1    |
| 10   | 56.00.871P | Cover with tulip                | 1    |
| 15   | 40.04.771P | Air inlet filter                | 1    |
| 16   | 12.01.877P | Splash guard                    | 1    |
| 17   | 1004.0666P | Hex screw M4x10                 | 2    |
| 18   | 12.01.899P | Gasket for base frame           | 1    |
| 21   | 12.01.716P | Cover for base frame            | 1    |

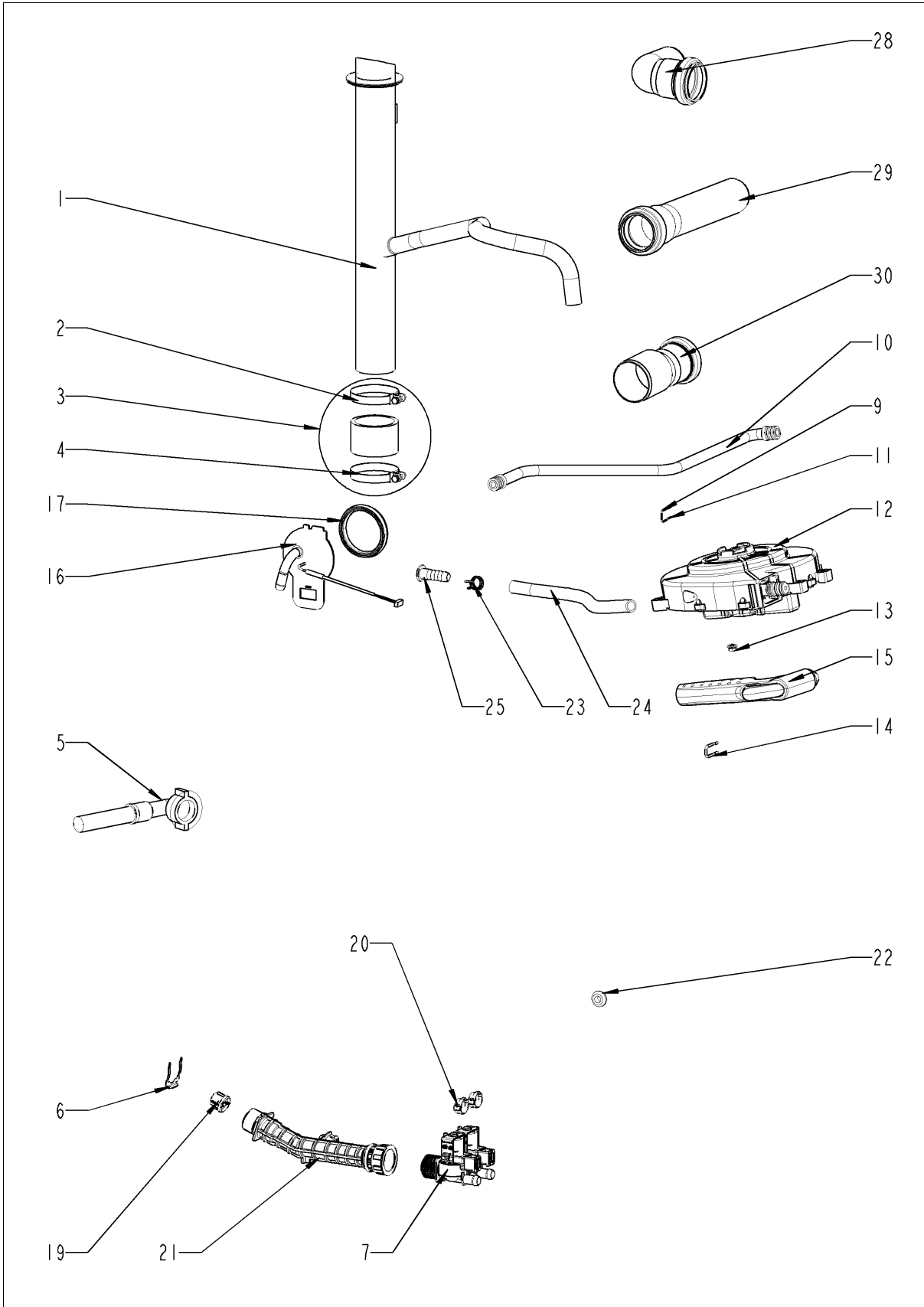
## Exterior cabinet



## Exterior cabinet

| Pos. | Part no.   | Description                           | Qty. |
|------|------------|---------------------------------------|------|
| 1    | 16.03.178P | Top cover                             | 1    |
| 2    | 1003.2265P | Countersunk self tapping screw 4,2x16 | 8    |
| 3    | 1104.0820P | Snap nut 4,2mm                        | 8    |
| 4    | 16.02.885P | Side panel right                      | 1    |
| 5    | 16.02.962P | Back panel, right                     | 1    |
| 6    | 16.02.963P | Back panel, left                      | 1    |
| 7    | 10.00.102P | Hex self tapping screw B4,2x32        | 2    |
| 8    | 16.03.331P | Side panel left                       | 1    |
| 9    | 10.00.992P | Hex self tapping screw B4,2x32        | 2    |
| 10   | 1104.0820P | Snap nut 4,2mm                        | 2    |
| 11   | 87.01.389  | Front panel with overlay *RAT*        | 1    |
| 12   | 16.02.992P | Crossbar front panel                  | 1    |
| 13   | 16.02.905P | Crossbar top                          | 1    |
| 14   | 56.00.874P | Gasket wastewater                     | 1    |

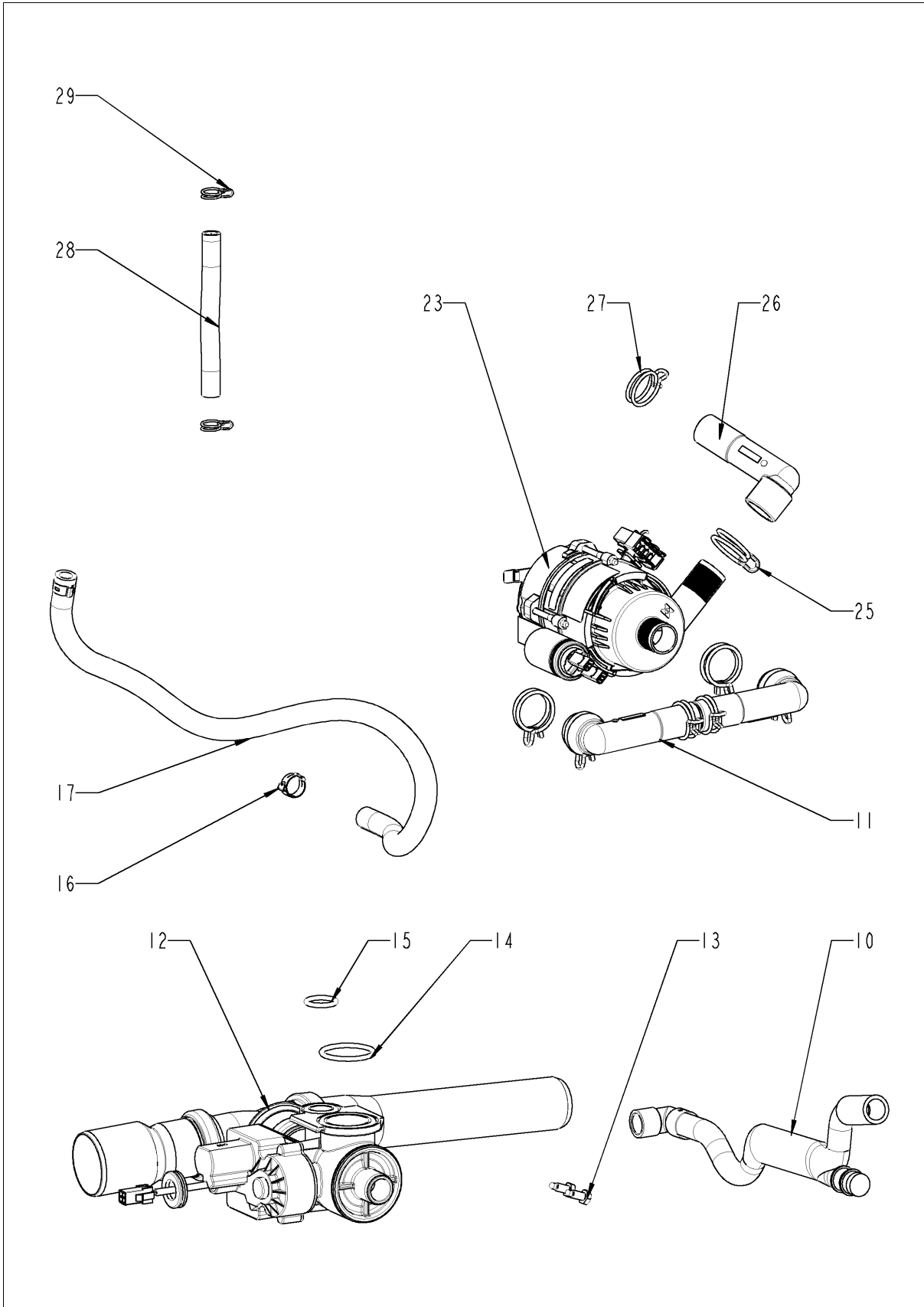
# Water



## Water

| Pos. | Part no.   | Description                              | Qty. |
|------|------------|--|------|
| 1    | 54.01.517P | Ventilation pipe                         | 1    |
| 2    | 10.01.455P | Hose clamp Ø54x9                         | 1    |
| 3    | 54.01.503S | Rubber form piece venting pipe           | 1    |
| 4    | 10.01.455P | Hose clamp Ø54x9                         | 1    |
| 5    | 2067.0709P | Hose for water supply 2500mm             | 1    |
| 6    | 50.00.086P | Locking plate f. water distribution      | 1    |
| 9    | 50.00.085P | Plug-in spring f. hand shower roll guide | 1    |
| 10   | 52.00.058S | Connect. hose f. hand shower roll guide  | 1    |
| 11   | 50.00.085P | Plug-in spring f. hand shower roll guide | 1    |
| 12   | 52.00.016P | Hand shower roll guide                   | 1    |
| 13   | 10.00.846P | Hex nut self-locking M5 Din 985          | 1    |
| 14   | 50.00.156P | Clamp f. hand shower roll guide          | 1    |
| 15   | 50.00.282S | Hand shower black                        | 1    |
| 16   | 54.01.511S | Inspection lid, B2                       | 1    |
| 17   | 54.01.168P | Gasket f. inspection lid                 | 1    |
| 19   | 1900.0202P | Water filter                             | 1    |
| 20   | 2066.0202P | Hose clamp 12-22 mm                      | 1    |
| 21   | 50.01.805P | Water distribution                       | 1    |
| 22   | 2022.0101P | Grommet d8mm                             | 1    |
| 23   | 2066.0527P | Hose clamp ø14mm                         | 1    |
| 24   | 52.00.047P | Hose ø10x2x220 f. hand shower            | 1    |
| 25   | 52.00.059P | Grommet for drain hose                   | 1    |
| 28   | 2070.0050P | Elbow-pipe PP DN40 87°                   | 1    |
| 29   | 50.02.053P | HT drain pipe DN40 150mm                 | 1    |
| 30   | 50.01.967P | HT drain adapter DN 40/50                | 1    |

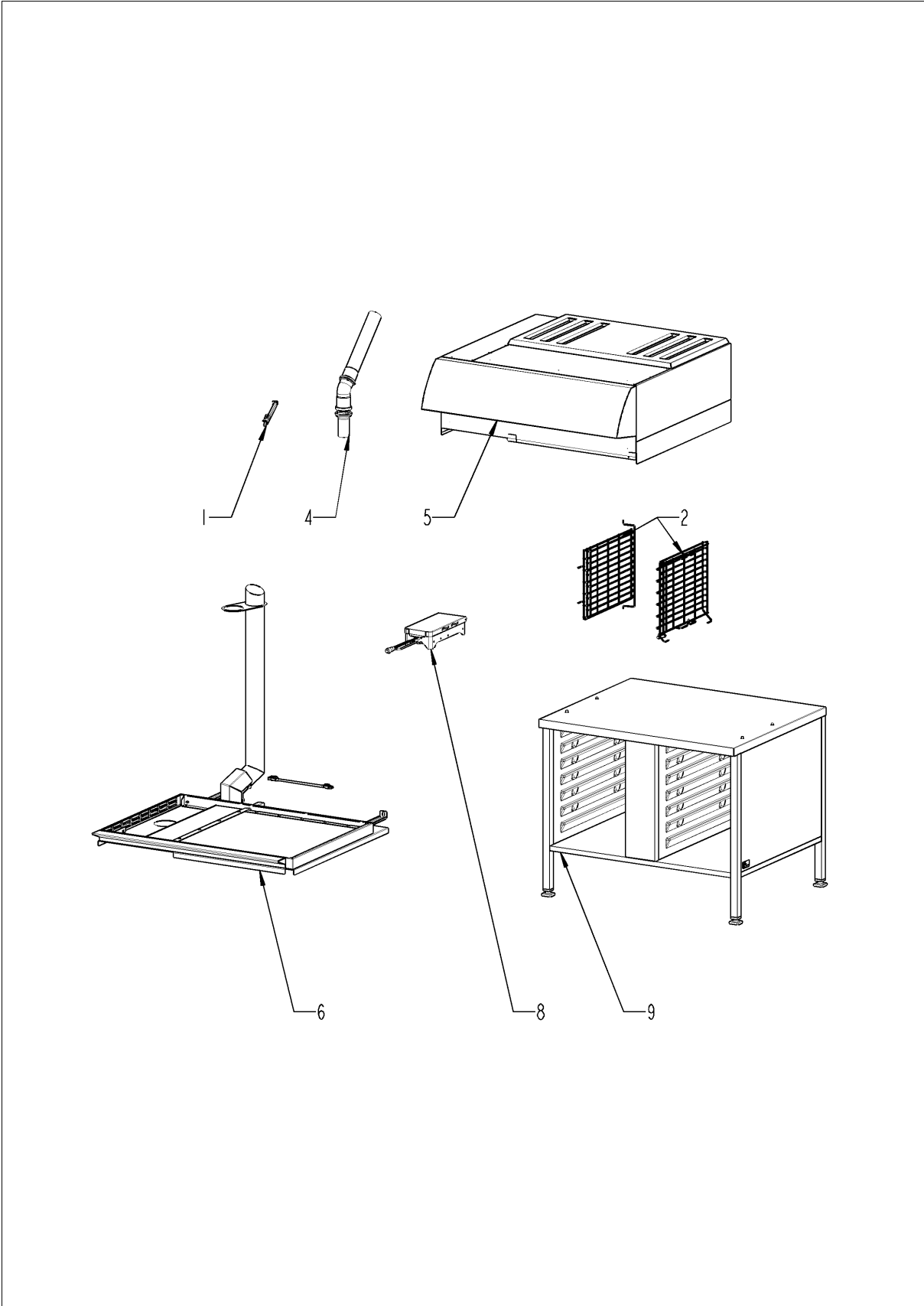
## CleanJet + Care



## CleanJet + Care

| Pos. | Part no.   | Description                        | Qty. |
|------|------------|------------------------------------|------|
| 10   | 56.00.967P | Drain pipe with bushings           | 1    |
| 11   | 56.00.784P | Suction hose f. cleaning           | 1    |
| 12   | 56.00.731P | Ball valve drain SCC cpl.          | 1    |
| 13   | 10.00.449P | Pan head screw M6x16               | 2    |
| 14   | 56.00.830P | O-ring for ball valve drain 36x3.5 | 1    |
| 16   | 2066.0202P | Hose clamp 12-22 mm                | 1    |
| 17   | 2067.0050  | Pressure hose d10mm                | .625 |
| 25   | 2066.0518P | Hose clamp 30mm                    | 1    |
| 26   | 56.00.823P | Elbow for suction hose CleanJet    | 1    |
| 27   | 10.01.510P | Hose clamp ø26.8                   | 1    |
| 28   | 56.00.744S | Pressure hose ø10mm 130mm          | 1    |
| 29   | 2066.0202P | Hose clamp 12-22 mm                | 1    |

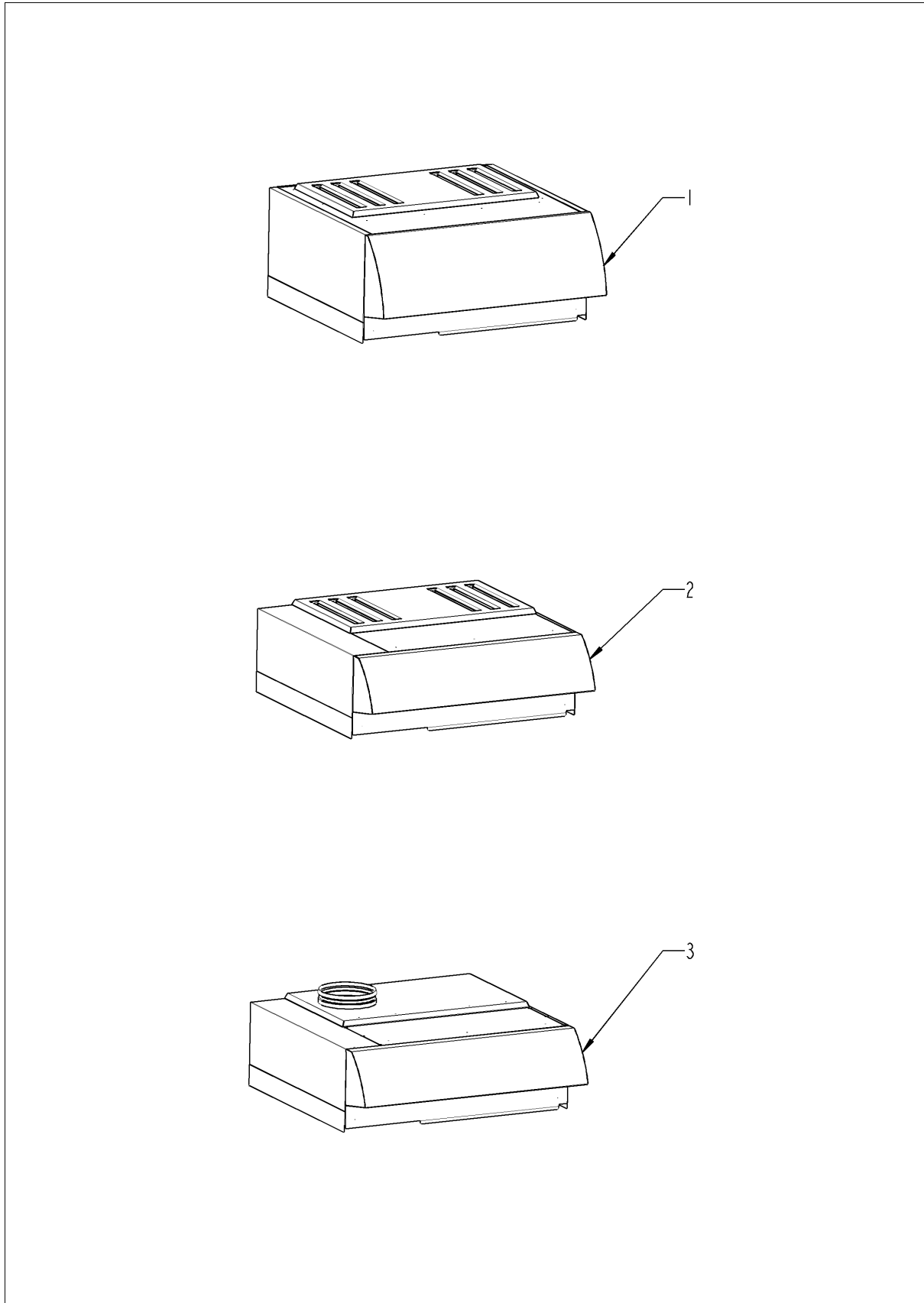
# Standard accessory



## Standard accessory

| Pos. | Part no.   | Description                        | Qty. |
|------|------------|------------------------------------|------|
| 1    | 60.73.955P | Positioning support f. core sensor | 1    |
| 2    | 60.73.724  | Hinging rack type XS 6-2/3         | 1    |
| 4    | 60.74.037  | Condensation breaker               | 1    |
| 5    |            | Exhaust hood                       | 1    |
| 6    |            | CombiDuo                           | 1    |
| 8    |            | VarioSmoker                        | 1    |
| 9    |            | Stands                             | 1    |
| 20   |            | Repair and retrofit kit            | 1    |

## Exhaust hood



## Exhaust hood

| Pos. | Part no. | Description    | Qty. |
|------|----------|----------------|------|
| 1    |          | UltraVent Plus | 1    |
| 2    |          | UltraVent      | 1    |

iCombi® ab 03/2020 XS - 6 x 2/3 Gastronorm  
E60MJ2109

---



## UltraVent Plus

## UltraVent Plus

| Pos. | Part no.   | Description                            | Qty. |
|------|------------|--|------|
| 5    | 60.73.956P | Gasket for venting pipe UltraVent      | 1    |
| 5    | 60.73.956P | Gasket for venting pipe UltraVent      | 1    |
| 11   | 60.73.957P | Front panel UltraVent                  | 1    |
| 12   | 60.74.464P | Front panel UltraVent XS Plus 623      | 1    |
| 26   | 60.74.403P | Main filter for UltraVent® Plus        | 1    |
| 27   | 60.74.409P | Preliminary filter for UltraVent® Plus | 1    |
| 36   | 60.74.459  |  | 1    |

**iCombi® ab 03/2020 XS - 6 x 2/3 Gastronorm**  
**E60MJ2109**

---

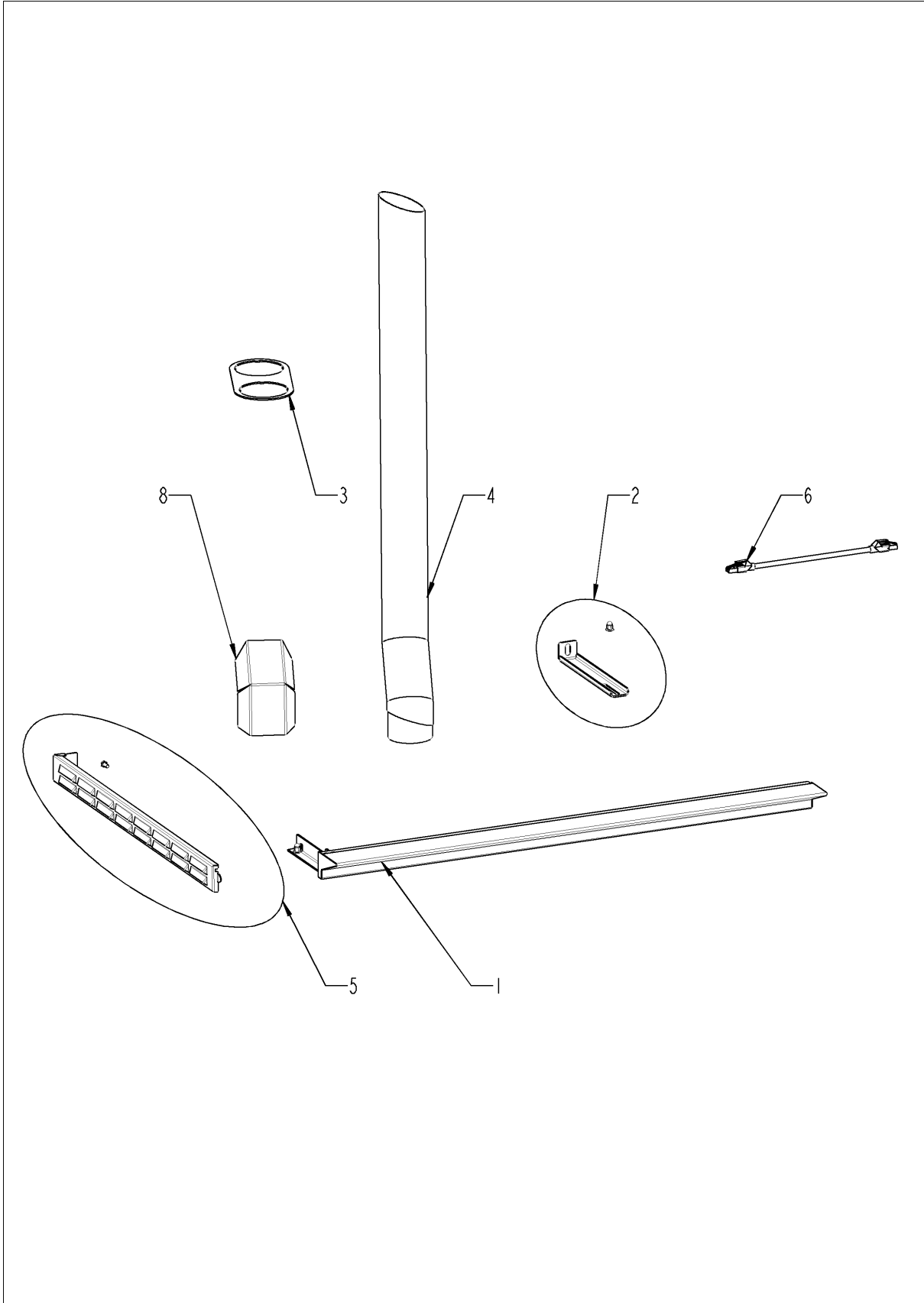


## **UltraVent**

## UltraVent

| Pos. | Part no.   | Description                       | Qty. |
|------|------------|-----------------------------------|------|
| 5    | 60.73.956P | Gasket for venting pipe UltraVent | 1    |
| 5    | 60.73.956P | Gasket for venting pipe UltraVent | 1    |
| 11   | 60.73.957P | Front panel UltraVent             | 1    |
| 12   | 60.73.960P | Front hood                        | 1    |
| 36   | 60.74.459  |                                   | 1    |

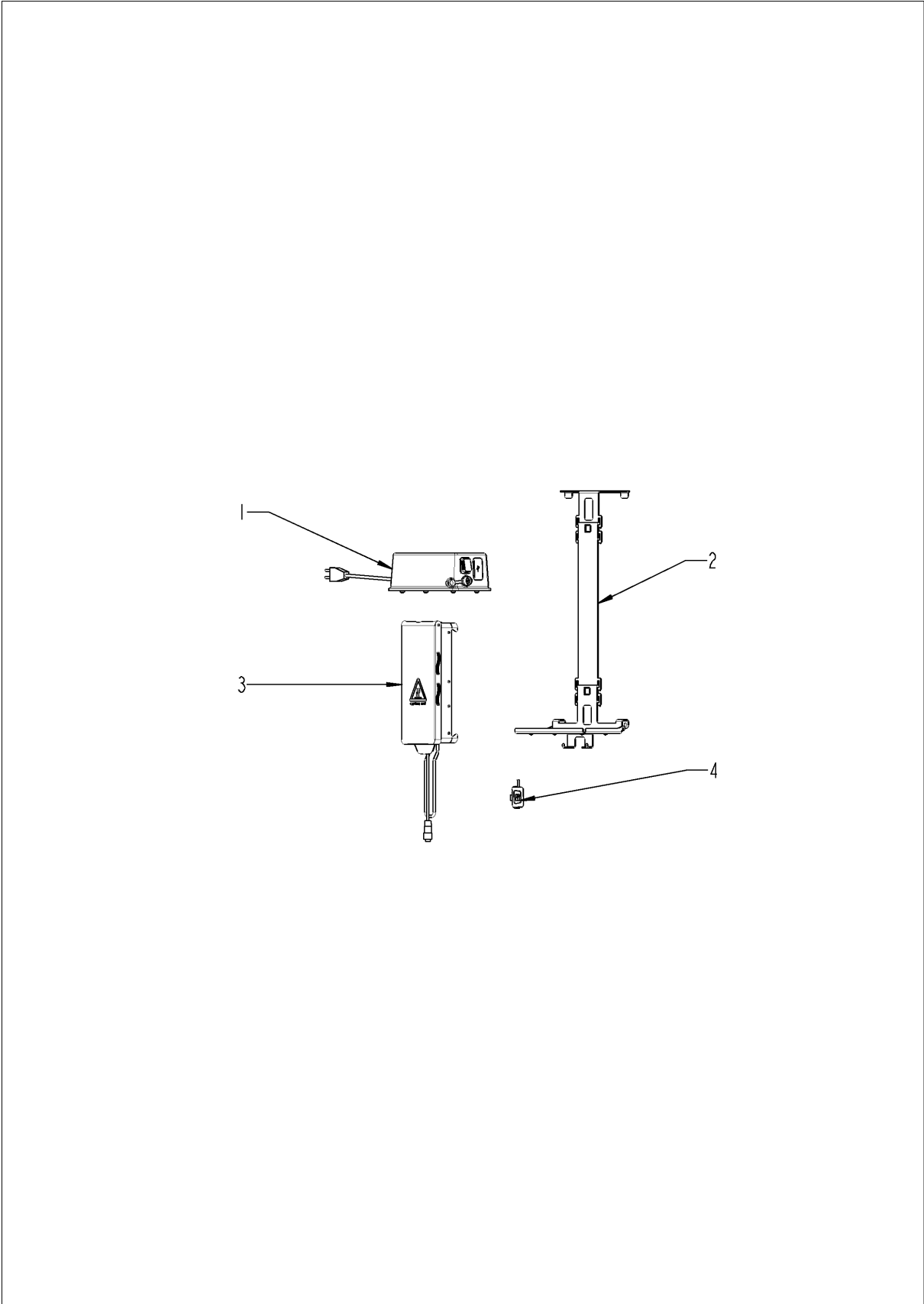
# CombiDuo



## CombiDuo

| Pos. | Part no.   | Description                        | Qty. |
|------|------------|------------------------------------|------|
| 3    | 60.73.822P | Bracket for venting pipe, CombiDuo | 1    |
| 4    | 60.73.823P | Ventilation pipe *Combi-Duo*       | 1    |
| 5    | 60.73.772S | Sidebar left                       | 1    |
| 6    | 40.05.839P | Bus cable RJ45 2.85m               | 1    |
| 8    | 60.75.409P | Heat Shield                        | 1    |

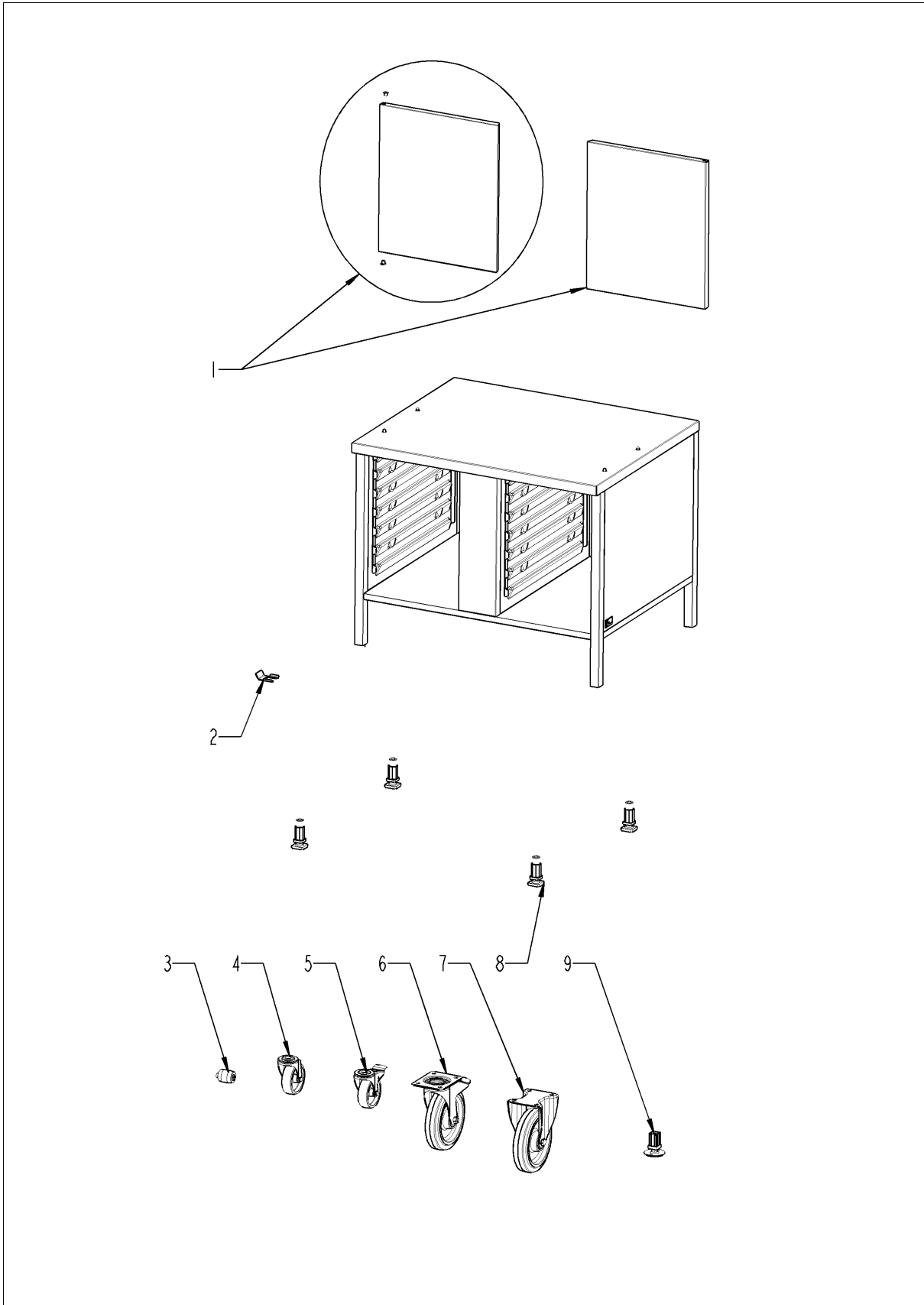
# VarioSmoker



## VarioSmoker

| Pos. | Part no.   | Description                         | Qty. |
|------|------------|-------------------------------------|------|
| 1    | 60.75.374P | Power supply for VarioSmoker *UK*   | 1    |
| 1    | 60.75.376P | Power supply for VarioSmoker *ARG*  | 1    |
| 1    | 60.75.378P | Power supply for VarioSmoker *CH*   | 1    |
| 1    | 60.75.386P | Power supply for VarioSmoker *BRA*  | 1    |
| 1    | 60.75.368P | Power supply for VarioSmoker *US*   | 1    |
| 1    | 60.75.372P | Power supply for VarioSmoker *EU*   | 1    |
| 2    | 60.76.115S | Mounting device kit for VarioSmoker | 1    |
| 3    | 60.76.691P | Smoking box for VarioSmoker         | 1    |
| 4    | 40.06.837P | Interface cable USB VarioSmoker     | 1    |

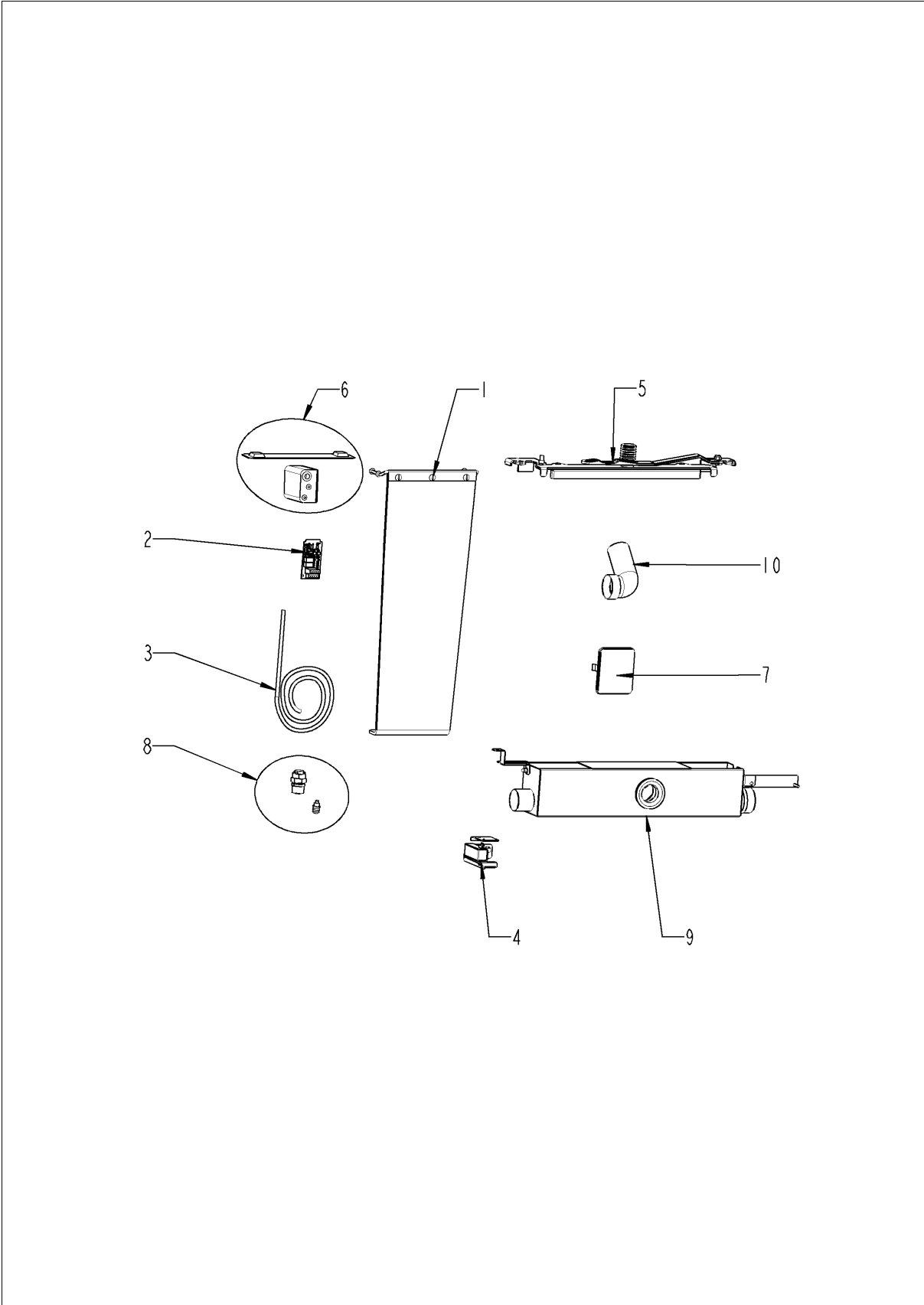
# Stands



## Stands

| Pos. | Part no.   | Description                              | Qty. |
|------|------------|--|------|
| 2    | 60.31.648P | Castor brake                             | 1    |
| 4    | 60.75.365P | Castor, 100mm without brake              | 1    |
| 5    | 60.75.366P | Castor, 100mm with brake                 | 1    |
| 8    | 60.30.139P | Foot adjustable,35x35                    | 1    |
| 9    | 60.30.195P | Foot adjustable,35x35 with flange for UG | 1    |

## Repair and retrofit kit



---

## Repair and retrofit kit

| Pos. | Part no.   | Description                          | Qty. |
|------|------------|--------------------------------------|------|
| 2    | 87.01.788S | Retrofit kit Energy_opt.             | 1    |
| 10   | 87.01.897  | Retrofit kit waste water piping DN90 | 1    |

## Index

| Part no.   | Description                                 | Page       |
|------------|---|------------|
| 60.74.459  | .....                                       | 39, 41     |
| 24.03.057P | Abrasion protection for glide socket .....  | 25         |
| 22.01.014P | Air baffle .....                            | 21         |
| 40.04.771P | Air inlet filter .....                      | 11, 27     |
| 22.00.914P | Air inlet pipe .....                        | 13         |
| 40.05.016P | Air shaft cpl. ....                         | 7          |
| 16.02.963P | Back panel, left .....                      | 29         |
| 16.02.962P | Back panel, right .....                     | 29         |
| 56.00.731P | Ball valve drain SCC cpl. ....              | 33         |
| 12.01.871S | Bracket for door contact switch .....       | 27         |
| 60.73.822P | Bracket for venting pipe, CombiDuo .....    | 43         |
| 40.04.089P | Bus cable *Ferrite ring* 1.15m .....        | 7          |
| 40.05.839P | Bus cable RJ45 2.85m .....                  | 43         |
| 44.01.918P | Bushing for filling steam generator .....   | 15         |
| 20.02.677P | Bushing for motor mounting bar .....        | 19         |
| 40.04.048P | Buzzer .....                                | 7          |
| 10.00.111P | Cable clip long .....                       | 7          |
| 40.04.495P | Cable connection M25 ø5mm *divisible* ..... | 7          |
| 40.04.530P | Cable connection M25x1.5 .....              | 7          |
| 40.05.361P | Cable control harness .....                 | 7          |
| 40.04.866P | Cable control harness .....                 | 7          |
| 50.01.786S | Cable entry .....                           | 7          |
| 40.00.320S | Cable gland M20x1.5 .....                   | 7          |
| 24.03.467P | Cable shaft for door .....                  | 25         |
| 10.00.414P | Cable strap black 120° .....                | 15         |
| 10.00.090P | Cap f. Torx T30 .....                       | 23         |
| 24.03.786P | Cap for door mounting support bottom .....  | 23         |
| 10.01.076P | Cap nut M5*A2 .....                         | 17, 21, 27 |
| 50.01.454P | Cap nut M12x11.5 .....                      | 17         |
| 60.31.648P | Castor brake .....                          | 47         |
| 60.75.366P | Castor, 100mm with brake .....              | 47         |
| 60.75.365P | Castor, 100mm without brake .....           | 47         |

## Index

| Part no.   | Description                                   | Page |
|------------|---|------|
| 50.00.156P | Clamp f. hand shower roll guide .....         | 31   |
| 10.00.087P | Clamp strap f. sensor .....                   | 21   |
| 2001.0109P | Compression spring .....                      | 23   |
| 60.74.037  | Condensation breaker .....                    | 35   |
| 52.00.058S | Connect. hose f. hand shower roll guide ..... | 31   |
| 40.04.908P | Contact assembly .....                        | 9    |
| 40.05.690P | Contact K3-10NBV10 190RT .....                | 9    |
| 42.00.272P | Control pcb .....                             | 5    |
| 87.01.297  | Control transformer T1 .....                  | 9    |
| 40.03.257P | Converter 230VAC 24VDC .....                  | 7    |
| 40.04.115P | Cooling fan .....                             | 7    |
| 1315.0104P | Copper washer 16x20x1,5 .....                 | 21   |
| 1006.1962P | Countersunk screw Torx M6x16 .....            | 23   |
| 1003.2265P | Countersunk self tapping screw 4,2x16 .....   | 29   |
| 12.01.716P | Cover for base frame .....                    | 27   |
| 56.00.871P | Cover with tulip .....                        | 27   |
| 16.02.992P | Crossbar front panel .....                    | 29   |
| 16.02.905P | Crossbar top .....                            | 29   |
| 16.03.205P | Dial .....                                    | 5    |
| 5110.1027P | Distance plate for front panel .....          | 5    |
| 24.04.783P | Door .....                                    | 23   |
| 24.03.040P | Door bolt .....                               | 23   |
| 24.02.951P | Door bolt .....                               | 23   |
| 24.02.959P | Door catch .....                              | 23   |
| 24.03.021P | Door drip collector .....                     | 25   |
| 20.02.549P | Door gasket .....                             | 21   |
| 24.02.937P | Door handle .....                             | 23   |
| 24.03.041P | Door lock with spring U-bolt .....            | 23   |
| 24.03.357P | Door mounting support bottom .....            | 23   |
| 24.03.399P | Door mounting support top .....               | 23   |
| 24.02.966P | Door setting bolt .....                       | 25   |
| 40.04.342P | Door switch 0.45m .....                       | 27   |

## Index

| <b>Part no.</b> | <b>Description</b>                                 | <b>Page</b> |
|-----------------|--|-------------|
| 22.01.322P      | Drain hose for humidity control .....              | 13          |
| 44.01.470P      | Drain hose steam generator .....                   | 15          |
| 56.00.967P      | Drain pipe with bushings .....                     | 33          |
| 24.03.355P      | Drain seal for door drip collector .....           | 25          |
| 40.01.329S      | Dry up protector 183°C .....                       | 15          |
| 40.03.743P      | Earth terminal WK4 SL/U .....                      | 9           |
| 56.00.823P      | Elbow for suction hose CleanJet .....              | 33          |
| 2070.0050P      | Elbow-pipe PP DN40 87° .....                       | 31          |
| 40.02.424P      | Electronic noise filter .....                      | 9           |
| 44.00.207P      | Emptying pump .....                                | 15          |
| 40.05.262P      | End cover APFN 2,5 D1/2/35 .....                   | 9           |
| 87.00.039       | External memory flashed .....                      | 5           |
| 87.01.374       | Fan motor .....                                    | 19          |
| 22.01.062S      | Fan wheel .....                                    | 19          |
| 44.01.581P      | Filling level electrode 170 mm .....               | 15          |
| 24.03.787S      | Fixing bracket kit for interior glass pane .....   | 25          |
| 40.03.533P      | Fixing clip f. pcb .....                           | 9           |
| 24.00.502P      | Fixing device f. magnet with magnet .....          | 25          |
| 44.01.445P      | Fixing device f. pump steam generator .....        | 15          |
| 40.04.834P      | Fixing device for safety temperature limiter ..... | 21          |
| 22.00.721P      | Flange f. motor shaft gasket .....                 | 19          |
| 60.30.139P      | Foot adjustable,35x35 .....                        | 47          |
| 60.30.195P      | Foot adjustable,35x35 with flange for UG .....     | 47          |
| 60.73.960P      | Front hood .....                                   | 41          |
| 60.73.957P      | Front panel UltraVent .....                        | 39, 41      |
| 60.74.464P      | Front panel UltraVent XS Plus 623 .....            | 39          |
| 87.01.389       | Front panel with overlay *RAT* .....               | 5, 29       |
| 3019.0114P      | Fuse 5A 250V .....                                 | 9           |
| 3019.0120P      | Fuse 5x20mm .....                                  | 9           |
| 4001.0224P      | Fuse 6.35x32mm 6.3A .....                          | 9           |
| 40.02.512P      | Fuse holder 2x6.3A .....                           | 9           |
| 56.00.800P      | Gasket f. breather tube .....                      | 27          |

## Index

| Part no.   | Description                             | Page      |
|------------|---|-----------|
| 46.00.170P | Gasket f. heating assembly .....        | 17        |
| 44.01.433P | Gasket f. heating element .....         | 15        |
| 22.00.881P | Gasket f. hum. meas. Pipe .....         | 13        |
| 54.01.168P | Gasket f. inspection lid .....          | 31        |
| 12.01.899P | Gasket for base frame .....             | 27        |
| 60.73.956P | Gasket for venting pipe UltraVent ..... | 39, 41    |
| 5110.1029P | Gasket mode switch .....                | 5         |
| 56.00.874P | Gasket wastewater .....                 | 29        |
| 87.01.416  | Glass pane bundle .....                 | 25        |
| 22.01.196P | Graphit seal for gasket flange .....    | 19        |
| 40.04.811P | Grid for fan assembly .....             | 7         |
| 2022.0101P | Grommet d8mm .....                      | 31        |
| 52.00.059P | Grommet for drain hose .....            | 31        |
| 50.00.282S | Hand shower black .....                 | 31        |
| 52.00.016P | Hand shower roll guide .....            | 31        |
| 60.75.409P | Heat Shield .....                       | 43        |
| 40.04.795P | Heat sink small SSR .....               | 7         |
| 87.01.436  | Heating assembly with gasket .....      | 17        |
| 87.01.360  | Heating element with gasket .....       | 15        |
| 10.00.916P | Hex nut M4 w. locking .....             | 5, 13, 21 |
| 10.01.065P | Hex nut M5 .....                        | 9, 19     |
| 10.01.490P | Hex nut M6 .....                        | 19        |
| 10.00.709P | Hex nut M6 w. locking .....             | 15, 21    |
| 10.01.751P | Hex nut M16 DIN934 A2 .....             | 21        |
| 10.00.846P | Hex nut self-locking M5 Din 985 .....   | 31        |
| 1004.0666P | Hex screw M4x10 .....                   | 9, 27     |
| 1008.0750P | Hex screw M5x16 .....                   | 9         |
| 10.00.109P | Hex screw M5x23 .....                   | 17        |
| 1006.0762P | Hex screw M6x10 .....                   | 7, 15     |
| 1006.0760P | Hex screw M6x16 .....                   | 23        |
| 10.01.527P | Hex screw M8x12 .....                   | 23        |
| 10.00.936P | Hex screw M8x20 .....                   | 19        |

## Index

| <b>Part no.</b> | <b>Description</b>                        | <b>Page</b> |
|-----------------|---|-------------|
| 10.00.102P      | Hex self tapping screw B4,2x32 .....      | 29          |
| 10.00.992P      | Hex self tapping screw B4,2x32 .....      | 29          |
| 60.73.724       | Hinging rack type XS 6-2/3 .....          | 35          |
| 24.02.958P      | Holding bracket f. door catch .....       | 23          |
| 2066.0205P      | Hose clamp 8-16x9 mm SW 7mm .....         | 15          |
| 2066.0202P      | Hose clamp 12-22 mm .....                 | 31, 33      |
| 2066.0518P      | Hose clamp 30mm .....                     | 15, 33      |
| 10.01.868P      | Hose clamp 32-50mm .....                  | 15          |
| 2066.0527P      | Hose clamp ø14mm .....                    | 13, 31      |
| 10.01.510P      | Hose clamp ø26.8 .....                    | 33          |
| 2066.0519P      | Hose clamp Ø35,6mm .....                  | 15          |
| 2066.0526P      | Hose clamp ø46mm .....                    | 15          |
| 10.01.455P      | Hose clamp Ø54x9 .....                    | 31          |
| 2067.0709P      | Hose for water supply 2500mm .....        | 31          |
| 22.01.116P      | Hose set f. humidity control .....        | 13          |
| 22.01.179P      | Hose set for ventilation .....            | 15          |
| 52.00.047P      | Hose ø10x2x220 f. hand shower .....       | 31          |
| 50.01.967P      | HT drain adapter DN 40/50 .....           | 31          |
| 50.02.053P      | HT drain pipe DN40 150mm .....            | 31          |
| 22.00.725P      | Humidity control cpl. ....                | 13          |
| 22.01.105S      | Inner humidity meas. Piece .....          | 13          |
| 54.01.511S      | Inspection lid, B2 .....                  | 31          |
| 40.06.837P      | Interface cable USB VarioSmoker .....     | 45          |
| 24.02.960P      | Interlocking tooth screw M5x6 .....       | 23          |
| 87.01.368       | LED bar, left/right .....                 | 25          |
| 87.01.365       | LED optics .....                          | 25          |
| 24.03.184P      | Lock cover .....                          | 23          |
| 50.00.086P      | Locking plate f. water distribution ..... | 31          |
| 60.74.403P      | Main filter for UltraVent® Plus .....     | 39          |
| 46.00.171P      | Mating flange f. heating assembly .....   | 17          |
| 40.05.255P      | Meat probe sensor .....                   | 21          |
| 42.00.094P      | Mode switch mechanism .....               | 5           |

## Index

| Part no.   | Description                                    | Page  |
|------------|--|-------|
| 87.01.376  | Motor control for fan motor .....              | 19    |
| 22.00.985P | Motor shaft gasket D15 .....                   | 19    |
| 40.04.835P | Mounting device f. pressure sensor .....       | 13    |
| 40.04.810P | Mounting device for cooling fan .....          | 7     |
| 40.05.037P | Mounting device heat sink SSR .....            | 7     |
| 60.76.115S | Mounting device kit for VarioSmoker .....      | 45    |
| 22.00.722P | Mounting support f. gasket flange .....        | 19    |
| 40.04.910P | Mounting support transformer .....             | 7     |
| 56.00.830P | O-ring for ball valve drain 36x3.5 .....       | 33    |
| 22.00.837P | O-ring for humidity control .....              | 13    |
| 1008.0768P | Ornamental screw M8x16 .....                   | 23    |
| 1008.0769P | Ornamental screw M8x30 .....                   | 23    |
| 22.01.107S | Outer humidity meas. Piece .....               | 13    |
| 20.02.515P | Outlet sieve .....                             | 21    |
| 10.00.449P | Pan head screw M6x16 .....                     | 33    |
| 10.01.266P | Pan head screw Torx T20 10,5mm .....           | 7     |
| 10.00.061P | Pan head screw Torx T20 M4x12 .....            | 7, 13 |
| 10.01.776P | Pan head screw Torx T20 M4x12 .....            | 9     |
| 24.05.458P | Plastic spreader rivet .....                   | 25    |
| 50.00.085P | Plug-in spring f. hand shower roll guide ..... | 31    |
| 60.73.955P | Positioning support f. core sensor .....       | 35    |
| 42.00.044P | Pot. Hot Air .....                             | 5     |
| 40.00.464P | Potentiometer CT .....                         | 5     |
| 40.05.049P | Power supply cable 3x4mm <sup>2</sup> 3m ..... | 7     |
| 42.00.223P | Power supply for standard interior light ..... | 7     |
| 60.75.376P | Power supply for VarioSmoker *ARG* .....       | 45    |
| 60.75.386P | Power supply for VarioSmoker *BRA* .....       | 45    |
| 60.75.378P | Power supply for VarioSmoker *CH* .....        | 45    |
| 60.75.372P | Power supply for VarioSmoker *EU* .....        | 45    |
| 60.75.374P | Power supply for VarioSmoker *UK* .....        | 45    |
| 60.75.368P | Power supply for VarioSmoker *US* .....        | 45    |
| 60.74.409P | Preliminary filter for UltraVent® Plus .....   | 39    |

## Index

| <b>Part no.</b> | <b>Description</b>                          | <b>Page</b> |
|-----------------|---|-------------|
| 2067.0050       | Pressure hose d10mm .....                   | 15, 33      |
| 56.00.744S      | Pressure hose ø10mm 130mm .....             | 33          |
| 3017.1011P      | Pressure sensor Huba 401 .....              | 13          |
| 8354.1320P      | Pump connection spout cpl. ....             | 15          |
| 87.01.788S      | Retrofit kit Energy_opt. ....               | 49          |
| 87.01.897       | Retrofit kit waste water piping DN90 .....  | 49          |
| 1604.0161P      | Rivet 4x6 CNS .....                         | 25          |
| 10.00.890P      | Rivet 4x10 .....                            | 25          |
| 10.00.904P      | Rivet B4x8 .....                            | 25          |
| 54.01.503S      | Rubber form piece venting pipe .....        | 31          |
| 40.01.482S      | Safety temperature limiter 365°C .....      | 21          |
| 40.04.844P      | Screen for safety temperature limiter ..... | 21          |
| 40.03.782P      | Screen interior cabinet sensor .....        | 21          |
| 10.00.991P      | Sealing cap .....                           | 17          |
| 16.03.331P      | Side panel left .....                       | 29          |
| 16.02.885P      | Side panel right .....                      | 29          |
| 60.73.772S      | Sidebar left .....                          | 43          |
| 24.03.052P      | Sleeve for door bolt top .....              | 25          |
| 24.03.056P      | Slide bush for door .....                   | 25          |
| 60.76.691P      | Smoking box for VarioSmoker .....           | 45          |
| 1104.0820P      | Snap nut 4,2mm .....                        | 29          |
| 40.01.589P      | Solid state relais .....                    | 7           |
| 12.01.877P      | Splash guard .....                          | 27          |
| 10.01.049P      | Square necked mushroom head bolt 6x30 ..... | 19          |
| 87.01.459       | Steam generator insolated *Service* .....   | 15          |
| 44.01.463S      | Steam hose kit Ø40x50mm .....               | 15          |
| 56.00.784P      | Suction hose f. cleaning .....              | 33          |
| 40.04.121P      | Terminal block blue WK4/UBL .....           | 9           |
| 40.05.261P      | Terminal block WTP 2,5/4 D1/2 grey .....    | 9           |
| 40.04.907S      | Thermocouple humidity *B4* .....            | 21          |
| 40.04.869P      | Thermocouple interior cabinet B1 .....      | 21          |
| 40.04.105P      | Thermocouple steam generator *B5* .....     | 15          |

## Index

| Part no.   | Description                         | Page   |
|------------|-------------------------------------|--------|
| 1205.0120P | Tooth lock washer A5,3 .....        | 27     |
| 16.03.178P | Top cover .....                     | 29     |
| 40.05.487P | USB socket with cable + cover ..... | 7      |
| 22.01.112P | Vent cover .....                    | 13, 27 |
| 54.01.517P | Ventilation pipe .....              | 31     |
| 60.73.823P | Ventilation pipe *Combi-Duo* .....  | 43     |
| 1304.0160P | Washer A4,3 .....                   | 27     |
| 1306.0120P | Washer A6,4 .....                   | 23     |
| 1308.0162P | Washer A8,4 .....                   | 19     |
| 50.01.805P | Water distribution .....            | 31     |
| 1900.0202P | Water filter .....                  | 31     |
| 87.01.613S | Wire set for door lighting .....    | 25     |

