



**Geschirrspülmaschinen**  
**Warewashers**  
**Machines à laver la vaisselle**



**FTN / FTP**

**FTN-07-02**

Ab Serien-Nummer:  
Starting from Serial No.:  
A partir du no. de série:

**8655 0001**

**ERSATZTEILE**  
**SPARE PARTS**  
**PIECES DETACHEES**

REV. 01.12.2011

Die in diesem Katalog aufgeführten Elektroteile beziehen sich auf folgende Anschluss-Spannungen:

Electrical components listed in this catalogue are rated for the following supply voltages:

Les composants électriques énumérés dans ce catalogue sont prévus pour les tensions suivantes:

**400V / 50Hz / 3 / PE**

Bei nicht aufgeführten Anschluss-Spannungen bitte den, der Maschine beigelegten Schaltplan beachten.

For other voltages, refer to the wiring diagram shipped with the machine.

Pour d'autres tensions, se référer au schéma électrique envoyé avec la machine.

	<b>ERKLÄRUNG</b>	<b>LEGEND</b>	<b>LEGENDE</b>
<b>1</b>	Verschleißteile	Wearing parts	Pièces d'usure
<b>1</b>	Betriebswichtige Ersatzteile	Recommended spare parts	Pièces de rechange pour maintenance
<b>(L / R)</b>	Laufrichtung links / rechts	Operation direction left / right	Sens de marche gauche / droite
<b>(R / L)</b>	Laufrichtung rechts / links	Operation direction right / left	Sens de marche droite / gauche
<b>BSP</b>	Besteckspurbreite	Cutlery track width	Largeur de la piste des couverts

---

<b>Inhalt</b>	<b>Kapitel</b>
Zulaufstrecke .....	01
E Vorwaschung .....	02
Waschmodul 900 (L/S/A) .....	03
Waschmodul 1400 .....	04
Spülmodul .....	05
Erhitzer .....	06
Füllsystem .....	07
Wärmerückgewinnung .....	08
Wärmepumpe .....	09
Trocknung (DL/DS) .....	10
Auslauf .....	11
Schaltkasten .....	12
Türen und Verkleidungen .....	13
Dampfverrohrung .....	14
Trennmodul .....	15
Thermodesinfektion .....	16
Reinigungsmanager .....	17
Vorhänge .....	18

---

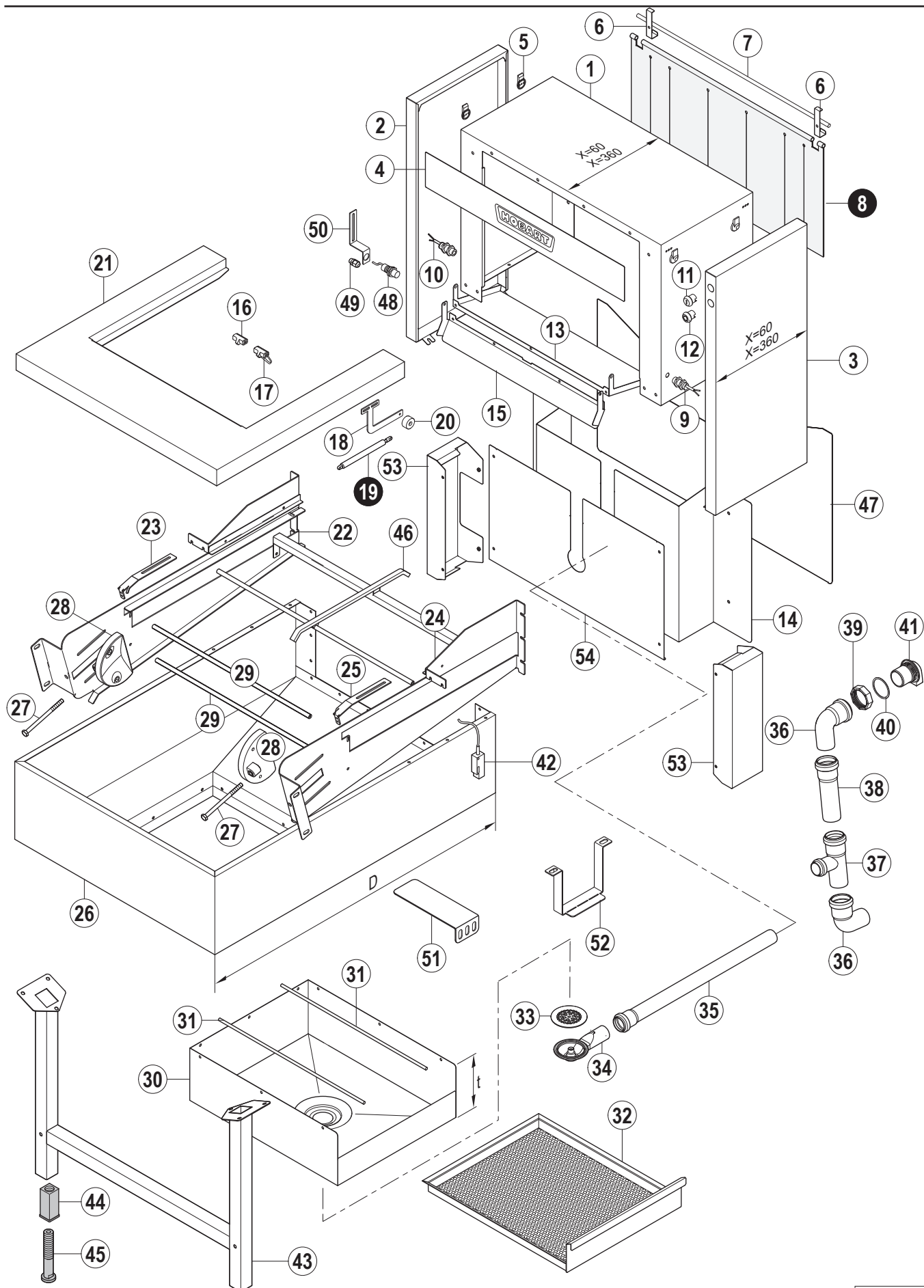
<b>Content</b>	<b>Chapter</b>
Loading section .....	01
E prewash .....	02
Wash module 900 (L/S/A) .....	03
Wash module 1400 .....	04
Rinse module .....	05
Booster .....	06
Filling system .....	07
Heat recovery .....	08
Heat pump .....	09
Drier (DL/DS) .....	10
Unload section .....	11
Control box .....	12
Doors and panels .....	13
Steam piping .....	14
Disconnecting module .....	15
Thermal disinfection .....	16
Clean Assist .....	17
Curtains .....	18

---

<b>Sommaire</b>	<b>Chapitre</b>
Zone d'entrée .....	01
E prélavage .....	02
Module de lavage 900 (L/S/A) .....	03
Module de lavage 1400 .....	04
Module de rinçage .....	05
Chaudière .....	06
Système de remplissage .....	07
Récupération de la chaleur .....	08
Pompe à chaleur .....	09
Séchage (DL/DS) .....	10
Zone de déchargement .....	11
Coffret électrique .....	12
Portes et panneaux .....	13
Tuyauterie vapeur .....	14
Module de passage .....	15
Désinfection thermique .....	16
Aide au nettoyage .....	17
Rideaux .....	18

---

**FTN / FTP**  
**Zulaufstrecke**  
**Loading section**  
**Zone d'entrée**





**A** Laufrichtung  
Working direction  
Sens de marche

**B** Bandbreite  
Conveyor width  
Largeur du convoyeur

**C** Durchlaufhöhe  
Usable height  
Hauteur de passage

**D** Länge  
Length  
Longueur

Pos.	A	B [mm]			C (D) [mm]	Bemerkung / Remarks / Remarques
		612	760	965		
01		01-245469-001	01-245469-005	01-245469-009	400	x=360
		01-245469-003	01-245469-007	01-245469-011	560	x=360
		01-245468-002	01-245468-006	01-245468-010	400	x=60
		01-245468-004	01-245468-008	01-245468-012	560	x=60
02		01-245756-002	=	=	400	x=360
		01-245756-004	=	=	560	x=360
		01-245756-001	=	=	400	x=60
		01-245756-003	=	=	560	x=60
03		01-245756-002	=	=	400	x=360
		01-245756-004	=	=	560	x=360
		01-245756-001	=	=	400	x=60
		01-245756-003	=	=	560	x=60
04		01-245247-001	01-245247-003	01-245247-005		
05		00-325037-001	=	=		
06		01-245498-001	=	=		
07		01-245396-001	01-245396-003	01-245396-005		
08		01-245398-001	01-245398-007	01-245398-013	400	
		01-245398-004	01-245398-010	01-245398-016	560	
09		00-695675-001	=	=		
10		00-695675-002	=	=		
11		00-887015-033	=	=		
12		00-887015-021	=	=		
13		01-245536-001	01-245536-002	01-245536-003		
14		01-245601-001	01-245601-002	01-245601-003		
15		01-245880-001	01-245880-002	01-245880-003		
16		00-774641-001	=	=		
17		00-325477-001	=	=		
18		01-245578-001	=	=		
19		00-774756-001	=	=		
20		00-774714-001	=	=		
21		01-245475-003	01-245475-006	01-245475-009	(800)	x=360
		01-245475-001	01-245475-004	01-245475-007	(1100)	x=360
		01-245475-002	01-245475-005	01-245475-008	(1400)	x=360
		01-245475-003	01-245475-006	01-245475-009	(500)	x=60
		01-245475-001	01-245475-004	01-245475-007	(800)	x=60
		01-245475-002	01-245475-005	01-245475-008	(1100)	x=60
22		01-245474-003	=	=	(800)	x=360
		01-245474-001	=	=	(1100)	x=360
		01-245474-002	=	=	(1400)	x=360
		01-245512-004	=	=	(500)	x=60
		01-245512-003	=	=	(800)	x=60
		01-245512-001	=	=	(1100)	x=60
		01-291041-001	=	=	(1400)	x=60
23		00-774553-002	=	=		



**A** Laufrichtung  
Working direction  
Sens de marche

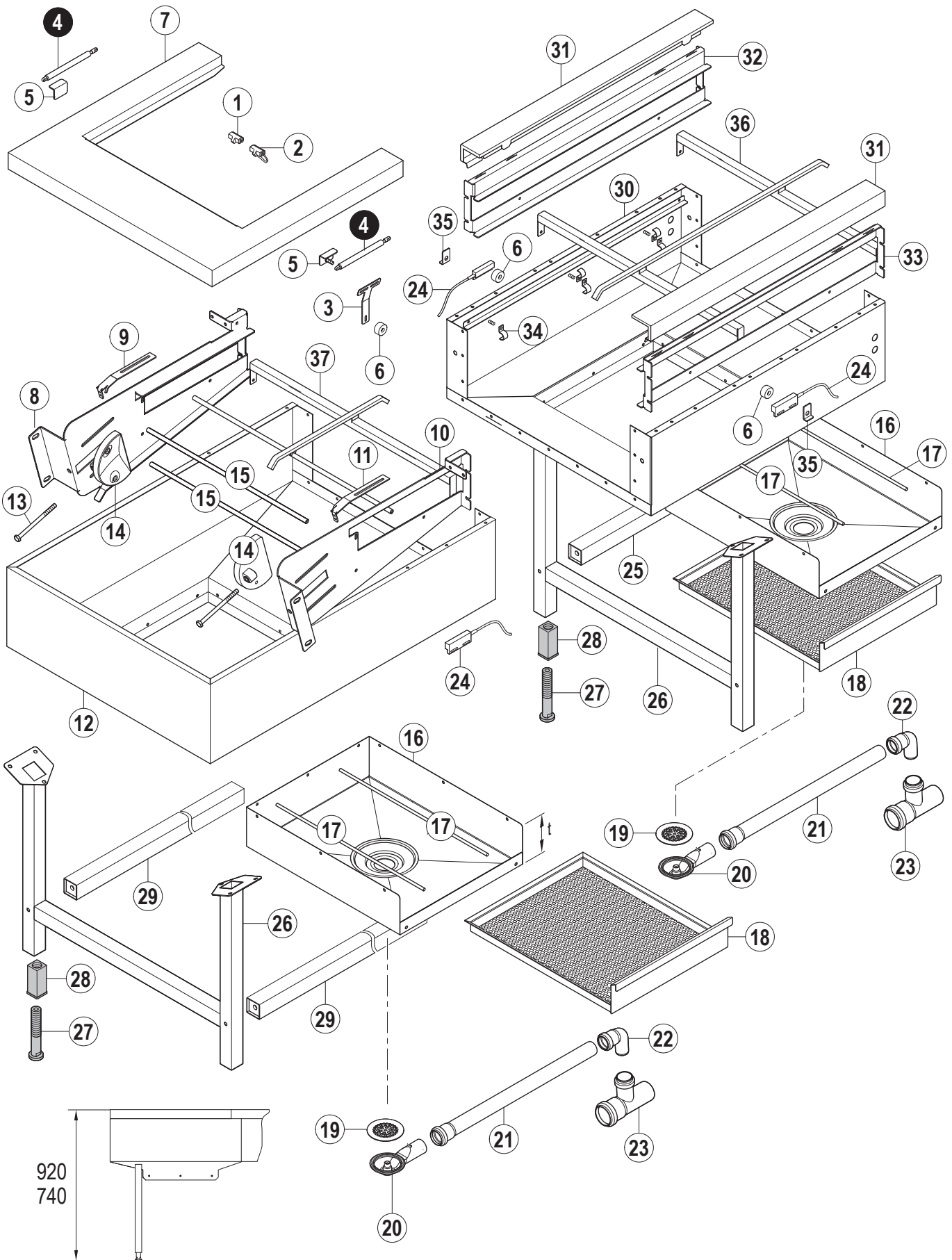
**B** Bandbreite  
Conveyor width  
Largeur du convoyeur

**C** Durchlaufhöhe  
Usable height  
Hauteur de passage

**D** Länge  
Length  
Longueur

Pos.	A	B [mm]			C (D) [mm]	Bemerkung / Remarks / Remarques
		612	760	965		
24		01-245473-003	=	=	(800)	x=360
		01-245473-001	=	=	(1100)	x=360
		01-245473-002	=	=	(1400)	x=360
		01-245511-004	=	=	(500)	x=60
		01-245511-003	=	=	(800)	x=60
		01-245511-001	=	=	(1100)	x=60
		01-291040-001	=	=	(1400)	x=60
25		00-774553-001	=	=		
26		01-245477-001	01-245477-005	01-245477-009	(500)	
		01-245477-004	01-245477-008	01-245477-012	(800)	
		01-245477-002	01-245477-006	01-245477-010	(1100)	
		01-245477-003	01-245477-007	01-245477-011	(1400)	
27		00-604059-000	=	=		
28		00-774519-001	=	=		
		01-245921-001	=	=	(500)	links / left / gauche
		01-245921-002	=	=	(500)	rechts / right / droite
29		00-325224-001	00-325224-011	00-325224-012		
30		01-245491-001	01-245491-002	01-245491-003		t=128
		01-245491-006	01-245491-007	---		t=153
31		01-245146-002	01-245146-003	01-245146-004		
32		01-245381-001	01-245381-003	01-245381-004		t=128
		01-291861-004	01-291861-003	---		t=153
33		01-245107-001	=	=		ohne / without / sans ASR
		01-245107-003	=	---		mit / with / avec ASR
34		01-245109-001	=	=		
35		---	---	---	(500)	
		00-325706-013	=	=	(800)	
		00-325706-003	=	=	(1100)	
		00-325706-001	=	=	(1400)	
36		00-230080-001	=	=		
37		00-323593-002	=	=		
38		00-229679-026	=	=		
39		01-245165-001	=	=		
40		01-245460-001	=	=		
41		01-245112-001	=	=		
42		00-775491-001	=	=		
43		01-245834-004	01-245834-005	01-245834-006		nur bei Zulaufstrecke 3 / only with loading section 3 / seulement avec zone d'entrée 3
44		00-325008-001	=	=		
45		00-325007-001	=	=		
46		---	01-245858-001	01-245858-004	(800)	
		---	01-245858-002	01-245858-005	(1100)	
		---	01-245858-003	01-245858-006	(1400)	
47		01-245520-003	01-245520-006	01-245520-009	(500)	
48		01-297017-001	=	=		
49		00-695661-001	=	=		
50		01-297018-001	=	=		
51	L/R	01-296818-001	=	=		
52	R/L	01-297229-001	=	=		
53		01-296879-001	=	=		







**A** Laufrichtung  
Working direction  
Sens de marche

**B** Bandbreite  
Conveyor width  
Largeur du convoyeur

**C** Durchlaufhöhe  
Usable height  
Hauteur de passage

**D** Länge  
Length  
Longueur

Pos.	A	B [mm]			C (D) [mm]	Bemerkung / Remarks / Remarques
		612	760	965		
01		00-774641-001	=	=		
02		00-325477-001	=	=		
03		01-245861-001	=	=		
04		00-774756-001	=	=		
05		00-774732-001	=	=		
06		00-774714-001	=	=		
07		01-245475-001	01-245475-004	01-245475-007	(800)	
		01-245475-002	01-245475-005	01-245475-008	(1100)	
		01-245475-002	01-245475-005	01-245475-008	(1400)	
08		01-245797-001	=	=	(800)	
		01-245797-002	=	=	(1100)	
		01-245797-003	=	=	(1400)	
09		00-774553-002	=	=		
10		01-245796-001	=	=	(800)	
		01-245796-002	=	=	(1100)	
		01-245796-003	=	=	(1400)	
11		00-774553-001	=	=		
12		01-245881-001	01-245881-006		(800)	
		01-245881-002	01-245881-007		(1100)	
		01-245881-003	01-245881-008		(1400)	
13		00-604059-000	=	=		
14		00-774519-001	=	=		
15		00-325224-001	00-325224-011	00-325224-012		
16		01-245491-001	01-245491-002	01-245491-003		t=128
		01-245491-006	01-245491-007	---		t=153
17		01-245146-002	01-245146-003	01-245146-004		
18		01-245381-001	01-245381-003	01-245381-004		t=128
		01-291861-004	01-291861-003	---		t=153
19		01-245107-001	=	=		ohne / without / sans ASR
		01-245107-003	=	---		mit / with / avec ASR
20		01-245109-001	=	=		
21		00-325706-003	=	=		
22		00-230080-002	=	=		
23		00-323593-002	=	=		
24		00-229517-002	=	=		
25		01-245884-004	=	=		
26		01-245834-004	01-245834-005	01-245834-006		h=920
		01-245834-001	01-245834-002	01-245834-003		h=740
27		00-325007-001	=	=		
28		00-325008-001	=	=		
29		01-245884-001	=	=	(800)	
		01-245884-002	=	=	(1100)	
		01-245884-003	=	=	(1400)	
30		01-245734-001	01-245734-002	01-245734-003		
31		01-245792-001	=	=		
32		01-245789-001	=	=		
33		01-245788-001	=	=		
34		00-226937-001	=	=		
35		00-774795-001	=	=		
36		---	01-245859-003	01-245859-004		



**A** Laufrichtung  
Working direction  
Sens de marche

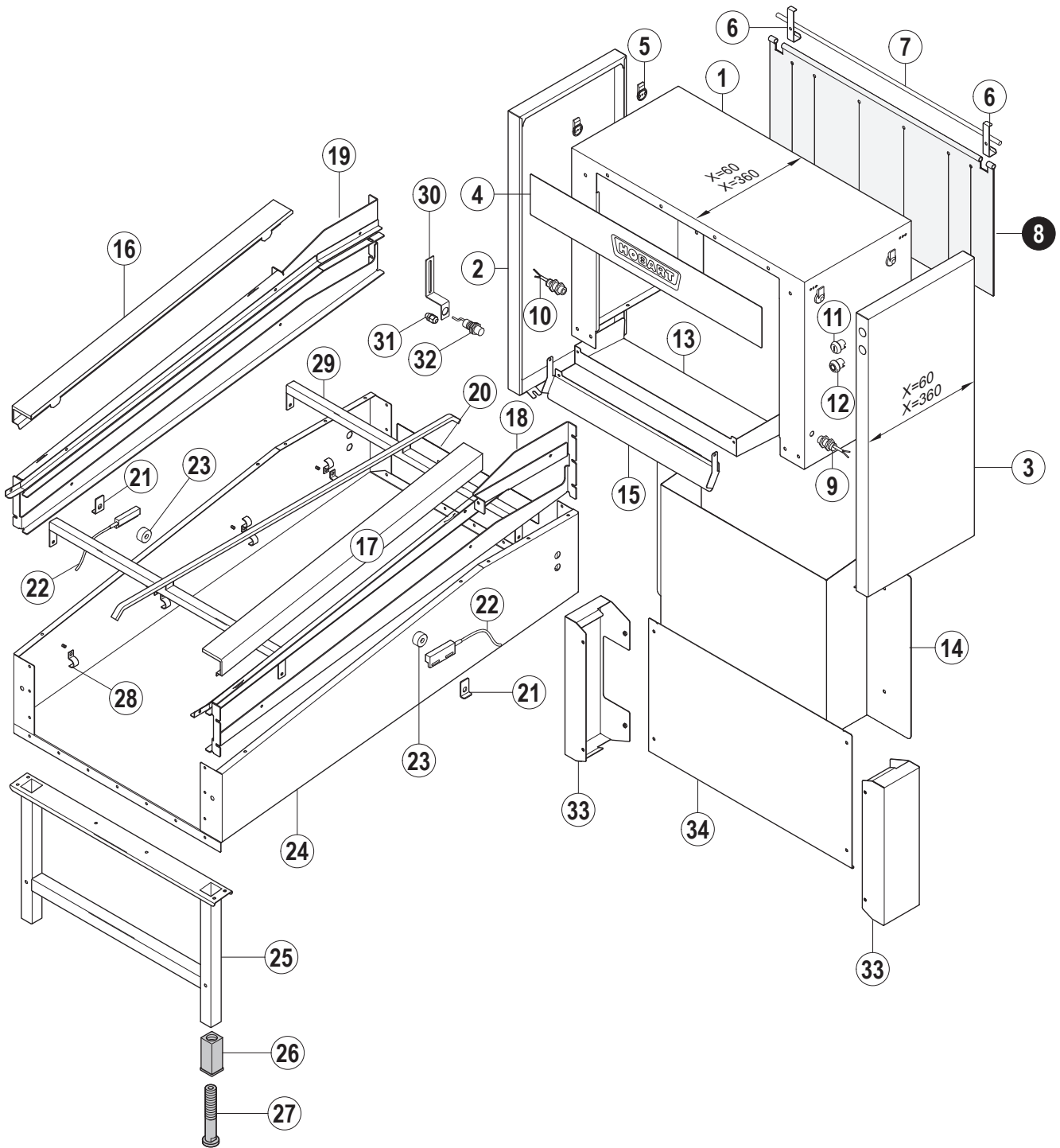
**B** Bandbreite  
Conveyor width  
Largeur du convoyeur

**C** Durchlaufhöhe  
Usable height  
Hauteur de passage

**D** Länge  
Length  
Longueur

Pos.	A	B [mm]			C (D) [mm]	Bemerkung / Remarks / Remarques
		612	760	965		
37		---	01-245858-001	01-245858-004	(800)	
		---	01-245858-002	01-245858-005	(1100)	
		---	01-245858-003	01-245858-006	(1400)	





Pos.	A	B [mm]			C (D) [mm]	Bemerkung / Remarks / Remarques
		612	760	965		
01		01-245469-001	01-245469-005	01-245469-009	400	x=360
		01-245469-003	01-245469-007	01-245469-011	560	x=360
		01-245469-002	01-245469-006	01-245469-010	400	x=60
		01-245469-004	01-245469-008	01-245469-012	560	x=60
02		01-245756-002	=	=	400	x=360
		01-245756-004	=	=	560	x=360
		01-245756-001	=	=	400	x=60
		01-245756-003	=	=	560	x=60
03		01-245756-002	=	=	400	x=360
		01-245756-004	=	=	560	x=360
		01-245756-001	=	=	400	x=60
		01-245756-003	=	=	560	x=60
04		01-245247-007	01-245247-008	01-245247-009		
05		00-325037-001	=	=		
06		01-245498-001	=	=		
07		01-245396-001	01-245396-003	01-245396-005		
08		01-245398-001	01-245398-007	01-245398-013	400	
		01-245398-004	01-245398-010	01-245398-016	560	
09		00-695675-001	=	=		
10		00-695675-002	=	=		
11		00-887015-033	=	=		
12		00-887015-021	=	=		
13		01-245536-001	01-245536-002	01-245536-003		
14		01-245601-004	01-245601-005	01-245601-006		
15		01-245880-001	01-245880-002	01-245880-003		
16		01-245823-001	=	=		
17		01-245822-001	=	=		
18		01-245815-001	=	=		
19		01-245816-001	=	=		
20		01-245753-001	01-245753-002	01-245753-003		
21		00-774795-001	=	=		
22		00-229517-002	=	=		
23		00-774714-001	=	=		
24		01-245804-001	01-245804-002	01-245804-003		
25		01-245833-001	01-245833-002	01-245833-003		
26		00-325008-001	=	=		
27		00-325007-001	=	=		
28		00-226937-001	=	=		
29		---	01-245859-001	01-245859-002		
30		01-297018-001	=	=		
31		00-695661-001	=	=		
32		01-297017-001	=	=		
33		01-296879-002	=	=		
34		01-296880-004	01-296880-005	01-296880-006		

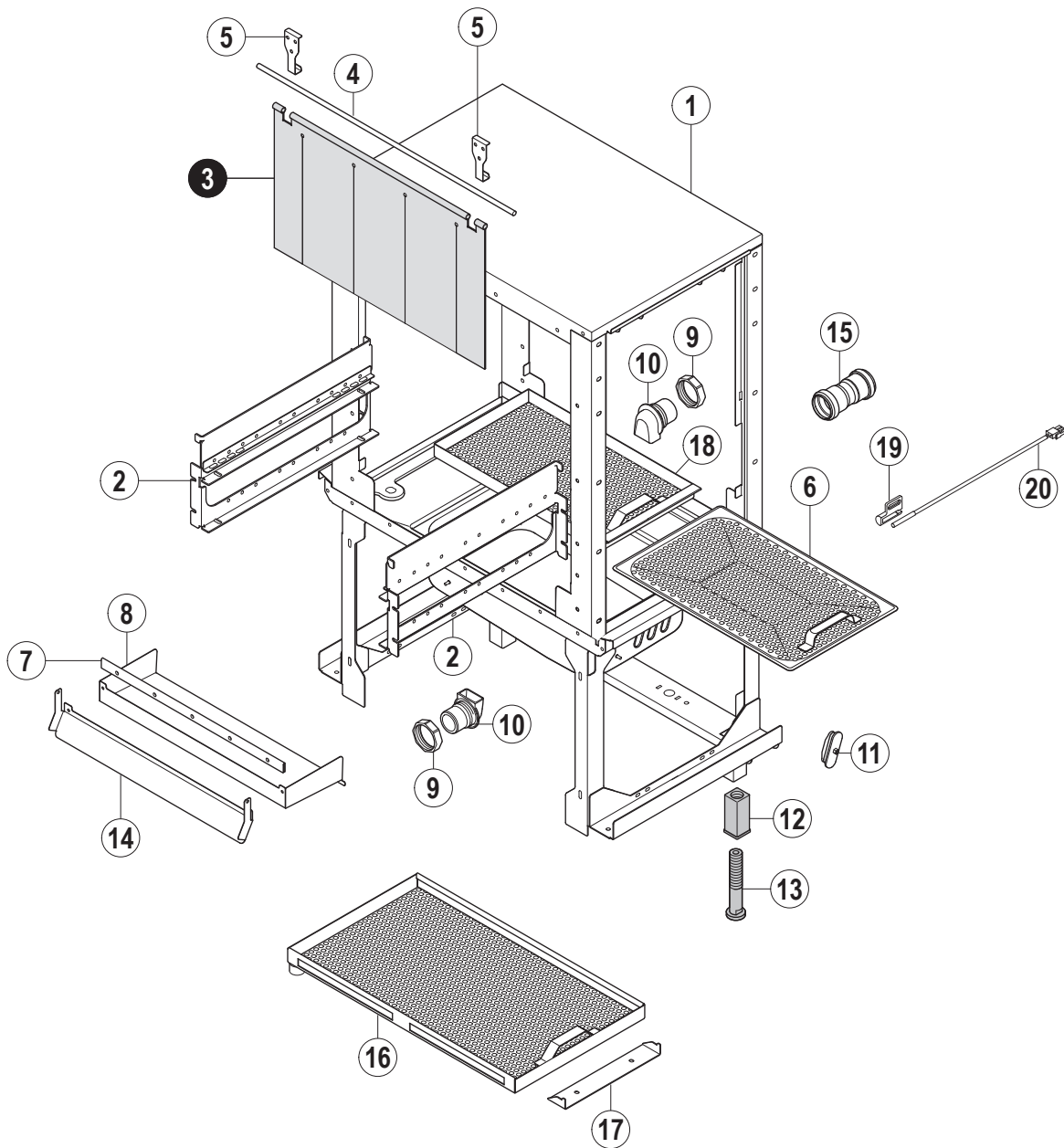


**FTN / FTP**

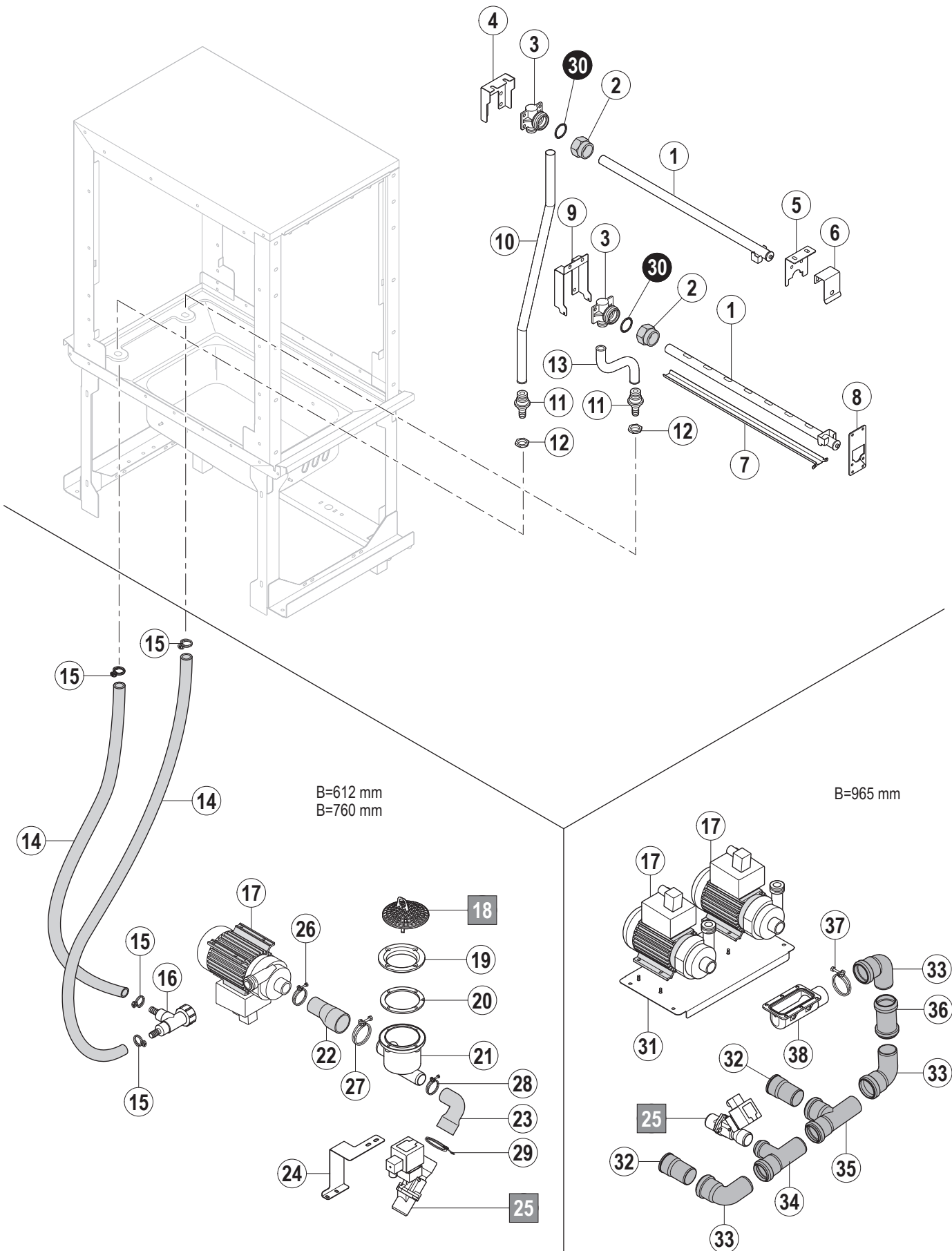
**E Vorwaschung**

**E prewash**

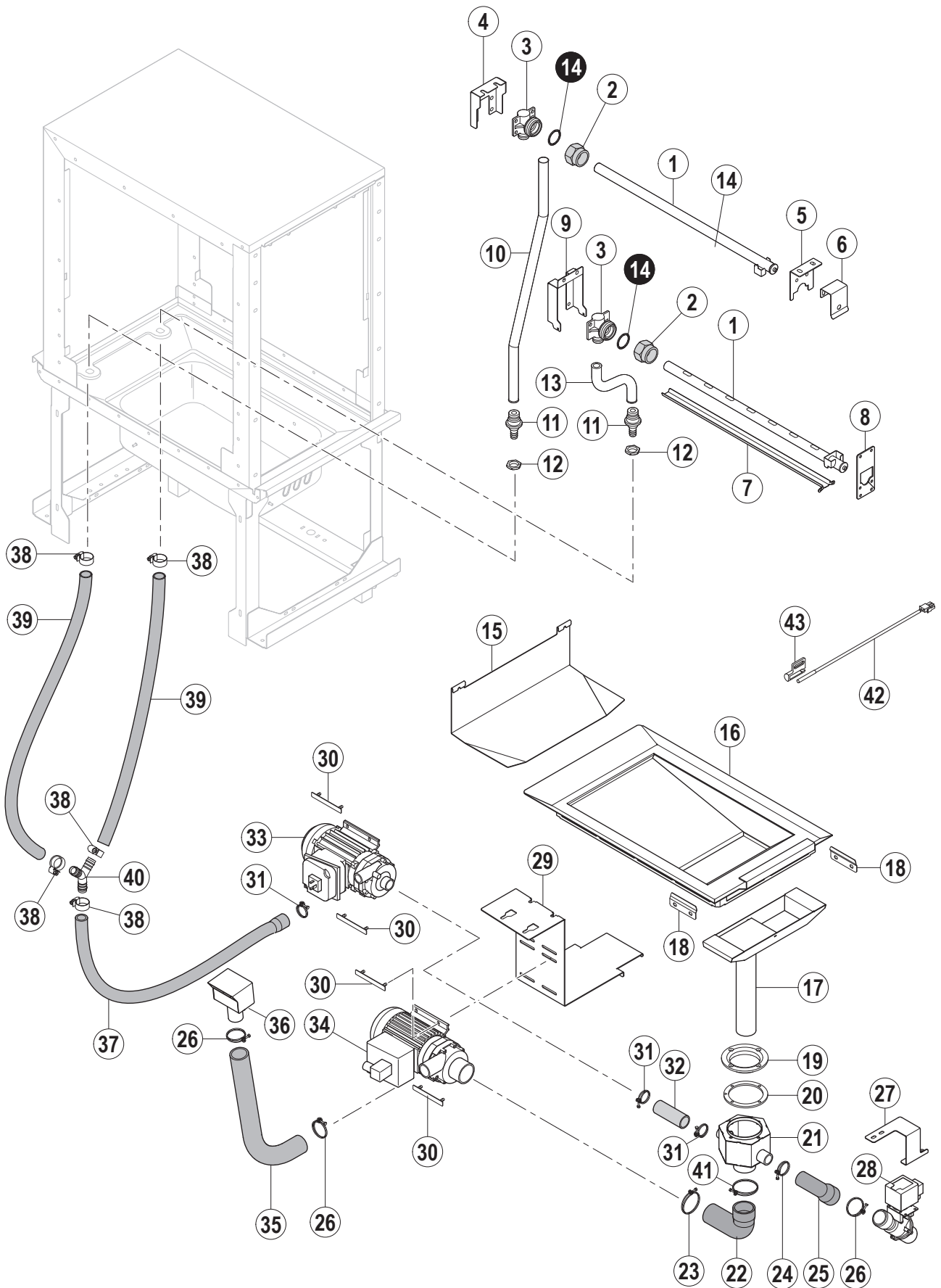
**E prélavage**



Pos.	A	B [mm]			C (D) [mm]	Bemerkung / Remarks / Remarques
		612	760	965		
01		01-245048-009	01-245522-009	01-245409-005	400	
		01-245048-010	01-245522-010	---	560	
02		01-245271-003	=	=		
03		01-245398-002	01-245398-008	01-245398-014	400	
		01-245398-005	01-245398-011	---	560	
04		01-245396-001	01-245396-003	01-245396-005		
05		01-245395-001	=	=		
06		01-245118-002	=	01-245535-004		
		01-518207-002	=	---		Sieberkennung / Strainer detection / Tamis identification
07		01-245324-001	01-245324-002	01-245324-003		
08		01-245536-001	01-245536-002	01-245536-003		
09		01-245165-001	=	00-774650-001		
10		01-245112-001	=	00-774645-003		
11		00-774808-001	=	=		
12		00-325008-001	=	=		
13		00-325007-001	=	=		
14		01-245880-001	01-245880-002	01-245880-003		
15	L/R	01-245842-001	=	00-692283-001		
16		01-245967-001	01-245967-002	---		
17		01-245968-001	01-245968-002	---		
18		---	---	01-245535-003		
19		01-240288-001	=	=		Sieberkennung / Strainer detection / Tamis identification
20		00-883838-001	=	=		Sieberkennung / Strainer detection / Tamis identification



Pos.	A	B [mm]			C (D) [mm]	Bemerkung / Remarks / Remarques
		612	760	965		
01		01-245262-001	01-245262-002	01-245262-003		
02		00-885572-001	=	=		
03		01-245318-002	=	=		
04		01-245743-002	=	=		
05		01-245063-002	=	=		
06		01-245062-001	=	=		
07		01-245058-001	01-245058-002	01-245058-003		
08		01-245059-002	=	=		
09		01-245327-001	=	=		
10		01-245485-001	=	=	400	
		01-245485-002	=	---	560	
11		01-245329-001	=	=		
12		00-172739-009	=	=		
13		01-245483-001	=	=		
14		01-245571-001	=	=		
15		00-323945-022	=	=		
16		01-245654-001	=	=		
17		00-781237-011	=	00-781237-009		
18		00-775750-001	=	---		
19		00-324053-000	=	---		
20		00-324056-000	=	---		
21		00-323802-001	=	---		
22		01-245308-001	=	---		
23		01-245307-001	=	---		
24		01-245296-001	=	---		
25		00-774683-001	=	=		
26		00-323945-040	=	---		
27		00-323945-053	=	---		
28		00-323945-037	=	---		
29		00-323945-046	=	---		
30		00-884505-002	=	=		
31		---	---	01-291329-001		
32		---	---	00-230081-001		
33		---	---	00-230080-001		
34		---	---	00-323593-002		
35		---	---	00-230079-001		
36		---	---	00-229680-001		
37		---	---	00-323945-064		
38		---	---	00-325529-001		





**A** Laufrichtung  
Working direction  
Sens de marche

**B** Bandbreite  
Conveyor width  
Largeur du convoyeur

**C** Durchlaufhöhe  
Usable height  
Hauteur de passage

**D** Länge  
Length  
Longueur

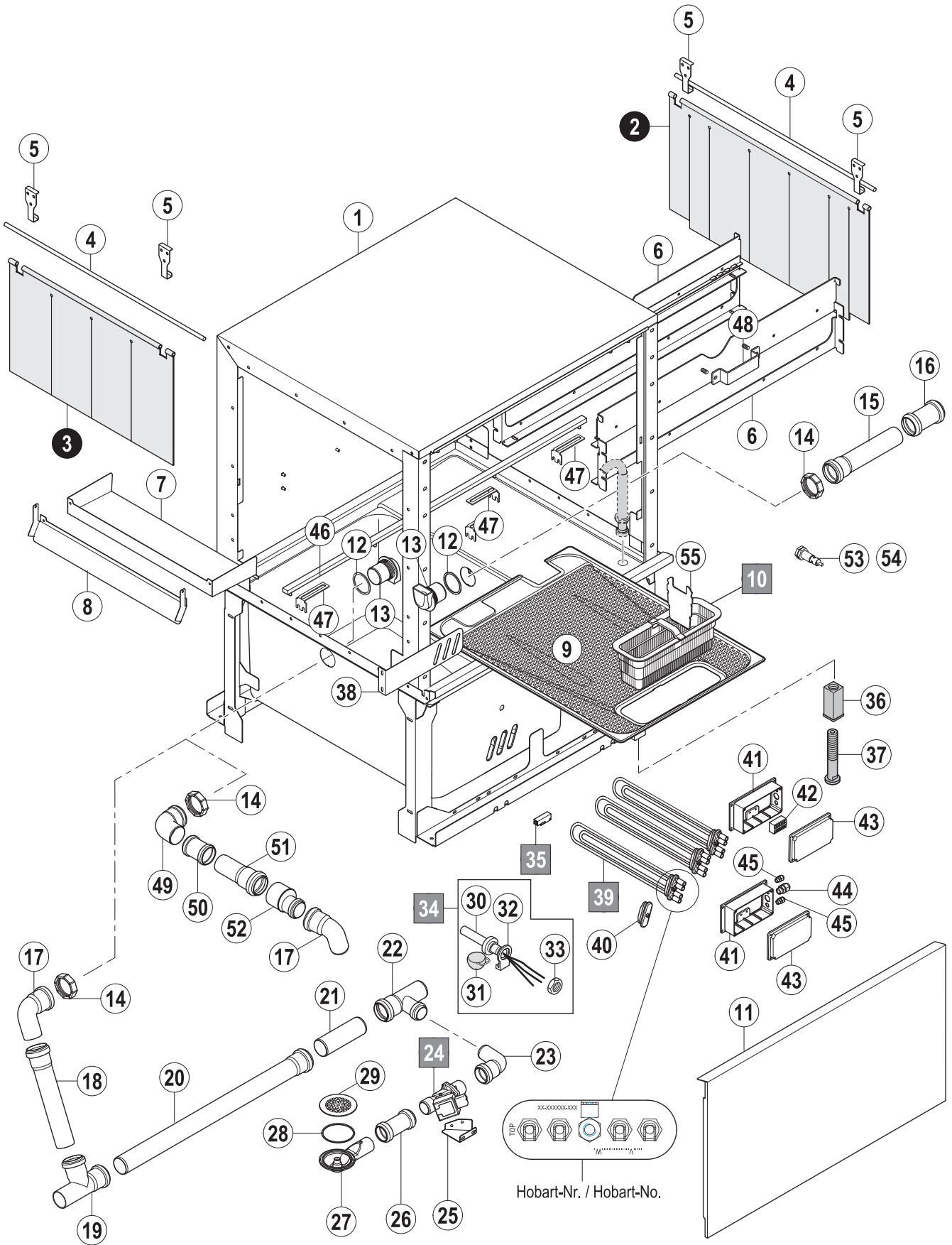
02.3

Pos.	A	B [mm]			C (D) [mm]	Bemerkung / Remarks / Remarques
		612	760	965		
01		01-245262-001	01-245262-002	---		
02		00-885572-001	=	---		
03		01-245318-002	=	---		
04		01-245743-002	=	---		
05		01-245063-002	=	---		
06		01-245062-001	=	---		
07		01-245058-001	01-245058-002	---		
08		01-245059-002	=	---		
09		01-245327-001	=	---		
10		01-245485-001	=	---	400	
		01-245485-002	=	---	560	
11		01-297094-001	=	---		
12		00-172739-009	=	---		
13		01-245483-001	=	---		
14		00-884505-002	=	---		
15		---	01-297093-001	---		
16		01-297067-001	=	---		
		01-297067-002	=	---		Sieberkennung / Strainer detection / Tamis identification
17		01-297070-001	=	---		
18		01-297069-001	=	---		
19		00-324053-000	=	---		
20		00-324056-000	=	---		
21		01-297086-501	=	---		
22		01-296543-001	=	---		
23		00-323945-064	=	---		
24		00-323945-037	=	---		
25		01-245307-001	=	---		
26		00-323945-046	=	---		
27		01-245296-003	=	---		
28		00-774683-001	=	---		
29		01-297087-001	=	---		
30		01-297105-001	=	---		
31		00-323945-035	=	---		
32		00-883680-001	=	---		
33		00-734936-003	=	---		
34		01-297092-001	=	---		
35	L/R	01-297168-001	=	---		
	R/L	01-297168-002	=	---		
36		01-297091-001	=	---		
37		00-898178-001	=	---		
38		00-166513-001	=	---		
39		01-297171-001	=	---		
40		00-174047-004	=	---		
41		00-323945-068	=	---		
42		01-240288-001	=	---		Sieberkennung / Strainer detection / Tamis identification
43		00-883838-001	=	---		Sieberkennung / Strainer detection / Tamis identification



**FTN / FTP****Waschmodul 900 (L/S/A)****Wash module 900 (L/S/A)****Module de lavage 900 (L/S/A)**

03.1



Pos.	A	B [mm]			C (D) [mm]	Bemerkung / Remarks / Remarques
		612	760	965		
01		01-245019-001	01-245400-001	01-245408-001	400	
		01-245019-002	01-245400-002	01-245408-002	560	
02		01-245398-001	01-245398-007	01-245398-013	400	
		01-245398-004	01-245398-010	01-245398-016	560	
03		01-245398-002	01-245398-008	01-245398-014	400	
		01-245398-005	01-245398-011	01-245398-017	560	
04		01-245396-001	01-245396-003	01-245396-005		
05		01-245395-001	=	=		
06		01-245271-001	=	=		
07		01-245536-001	01-245536-002	01-245536-003		
08		01-245880-001	01-245880-002	01-245880-003		
09		01-245047-001	01-245047-003	01-245869-001		
10		01-245170-010	=	=		Kunststoff / plastic / plastique
		01-245867-001	=	=		CrNi / SST / inox
		01-245170-011	=	=		Kunststoff / plastic / plastique; Sieberkennung / Strainer detection / Tamis identification
		01-245867-006	=	=		CrNi / SST / inox; Sieberkennung / Strainer detection / Tamis identification
11		01-245190-001	=	=		
12		01-245460-001	=	00-774651-001		
13		01-245112-001	=	00-774645-003		
14		01-245165-001	=	00-774650-001		
15		00-229679-024	=	00-692283-001		
16		00-229680-001	=	00-692283-002		
17		00-230080-001	=	00-734239-004		
18		00-229679-006	=	00-325737-002		
19		00-230079-001	=	=		
20		00-229679-004	=	=		
21		00-325737-004	=	=		
22		00-323593-002	=	=		
23		00-230080-002	=	=		
24		00-774683-001	=	=		
25		01-245294-001	=	01-291259-001		
26		00-692283-002	=	=		
27		01-245109-001	=	=		
28		01-245340-004	=	=		
29		01-245107-001	=	=		
30		00-229519-000	=	=		
31		00-122674-000	=	=		
32		00-112467-000	=	=		
33		00-602476-000	=	=		
34		01-245621-001	=	=		
35		00-775491-001	=	=		
36		00-325008-001	=	=		
37		00-325007-001	=	=		
38		01-245372-001	=	=		
39						Nr. siehe Flansch / no. see flange / no. voir bride
40		00-774808-001	=	=		
41		01-245373-001	=	=		
42		00-325025-000	=	=		



**A** Laufrichtung  
Working direction  
Sens de marche

**B** Bandbreite  
Conveyor width  
Largeur du convoyeur

**C** Durchlaufhöhe  
Usable height  
Hauteur de passage

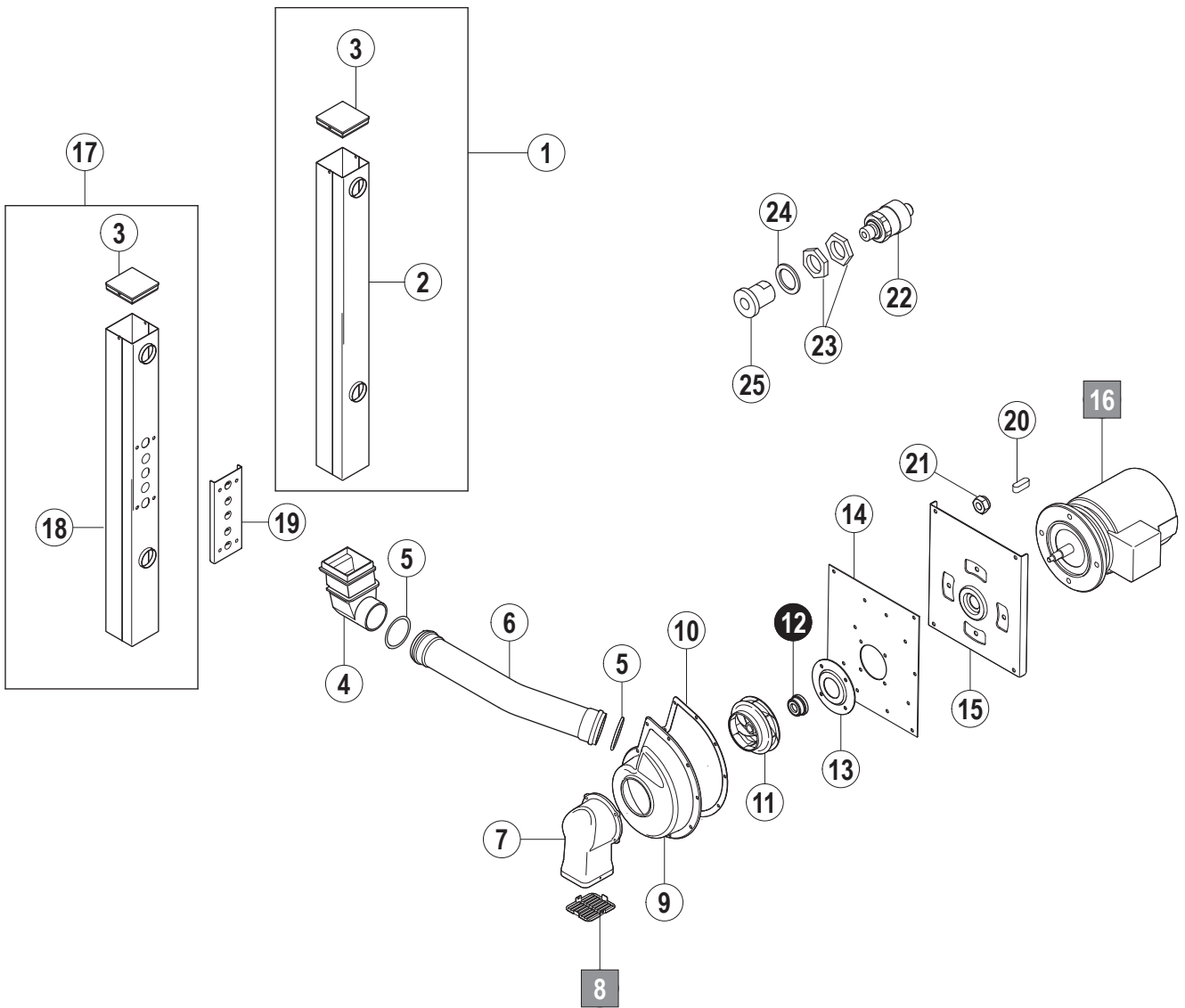
**D** Länge  
Length  
Longueur

03.1

Pos.	A	B [mm]			C (D) [mm]	Bemerkung / Remarks / Remarques
		612	760	965		
43		01-245374-001	=	=		
44		00-695661-003	=	=		
45		00-695661-001	=	=		
46		---	---	01-291205-001		
47		---	---	01-291206-001		
48		---	---	00-166623-002		
49		---	---	00-692281-001		
50		---	---	00-692283-001		
51		---	---	00-692282-001		
52		---	---	00-325706-009		
53		01-296855-001	=	=		Sieberkennung / Strainer detection / Tamis identification
54		01-296856-001	=	=		Sieberkennung / Strainer detection / Tamis identification
55		01-245966-001	=	=		



03.2



FTN 03.2b



**A** Laufrichtung  
Working direction  
Sens de marche

**B** Bandbreite  
Conveyor width  
Largeur du convoyeur

**C** Durchlaufhöhe  
Usable height  
Hauteur de passage

**D** Länge  
Length  
Longueur

Pos.	A	B [mm]			C (D) [mm]	Bemerkung / Remarks / Remarques
		612	760	965		
01		01-245669-001	=	=	400	
		01-245669-002	=	=	560	
02		01-245110-001	=	=	400	
		01-245110-002	=	=	560	
03		01-245086-002	=	=		
04		01-245055-001	=	=		
05		01-245340-003	=	=		
06		01-245277-002	01-245277-003	01-245277-004		
07		01-245713-002	=	=		Kunststoff / plastic / plastique
		01-245738-001	=	=		CrNi / SST / inox
08		01-245377-002	=	=		85x120
		01-245377-004	=	=		85x165
09		01-245135-002	=	=		
10		01-245459-001	=	=		
11		01-245088-004	01-245088-004	01-245088-005		L Vorwaschung / L prewash / L prélavage
		01-245088-003	01-245088-002	01-245088-005		A Premax
		01-245088-003	01-245088-005	01-245088-005		A Profi
		01-245088-003	01-245088-005	01-245088-005		S Premax
		01-245088-003	01-245088-003	01-245088-005		S Profi
12		01-245033-002	=	=		
13		01-245379-001	=	=		
14		01-245386-001	=	=		
15		01-245835-001	=	=		
16		01-245176-...	=	=		siehe Schaltplan / see wiring diagram / voir schéma de câblage
17		01-245669-003	=	=	400	
		01-245669-004	=	=	560	
18		01-245110-003	=	=	400	
		01-245110-004	=	=	560	
19		01-245428-002	=	=		
20		00-609801-000	=	=		
21		00-602504-000	=	=		
22		01-297200-001	=	---		PREMAX
23		00-172739-001	=	---		PREMAX
24		00-172986-003	=	---		PREMAX
25		00-869222-002	=	---		PREMAX

03.2

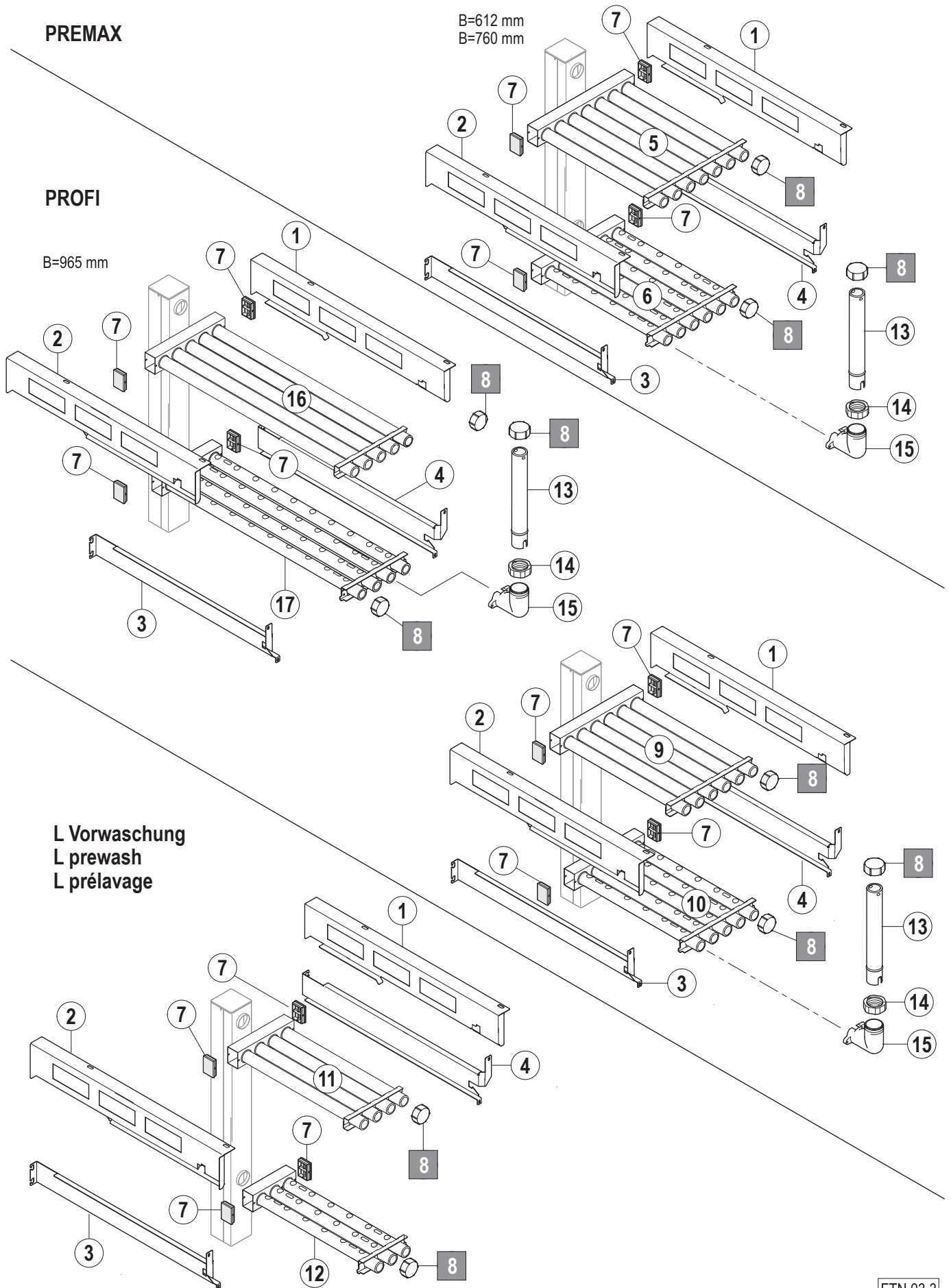
**PREMAX**

B=612 mm  
B=760 mm

**PROFI**

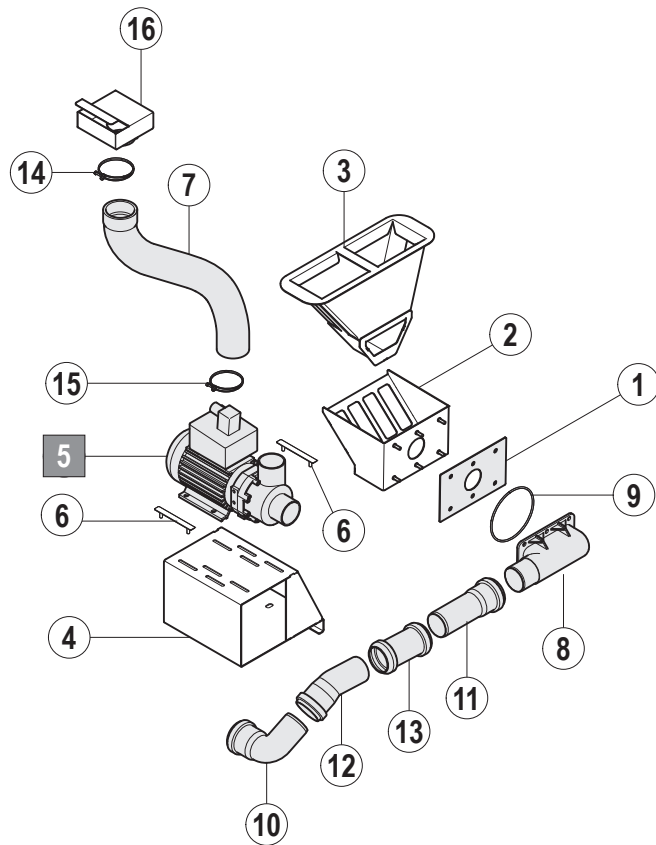
B=965 mm

**L Vorwaschung  
L prewash  
L pré lavage**



Pos.	A	B [mm]			C (D) [mm]	Bemerkung / Remarks / Remarques
		612	760	965		
01	L/R	01-245333-001	01-245333-003	01-245333-005		
	R/L	01-245332-001	01-245332-003	01-245332-005		
02	L/R	01-245332-002	01-245332-004	01-245332-006		
	R/L	01-245333-002	01-245333-004	01-245333-006		
03		01-245331-001	01-245331-003	01-245331-005		
04		01-245331-002	01-245331-004	01-245331-006		
05	L/R	01-245106-005	01-245492-005	---		ohne seitliche Waschung / without sidewash / sans lavage latéral
	L/R	01-245106-029	01-245492-029	---		mit seitlicher Waschung / with sidewash / avec lavage latéral
	R/L	01-245106-007	01-245492-007	---		ohne seitliche Waschung / without sidewash / sans lavage latéral
	R/L	01-245106-030	01-245492-030	---		mit seitlicher Waschung / with sidewash / avec lavage latéral
06	L/R	01-245106-006	01-245492-006	---		ohne seitliche Waschung / without sidewash / sans lavage latéral
	L/R	01-245106-019	01-245492-019	---		mit seitlicher Waschung / with sidewash / avec lavage latéral
	R/L	01-245106-025	01-245492-025	---		ohne seitliche Waschung / without sidewash / sans lavage latéral
	R/L	01-245106-020	01-245492-020	---		mit seitlicher Waschung / with sidewash / avec lavage latéral
07		01-245086-001	=	=		
08		01-245084-001	=	=		
09	L/R	01-245106-001	01-245492-001	---		ohne seitliche Waschung / without sidewash / sans lavage latéral
	L/R	01-245106-033	01-245492-033	---		mit seitlicher Waschung / with sidewash / avec lavage latéral
	R/L	01-245106-003	01-245492-003	---		ohne seitliche Waschung / without sidewash / sans lavage latéral
	R/L	01-245106-034	01-245492-034	---		mit seitlicher Waschung / with sidewash / avec lavage latéral
10	L/R	01-245106-002	01-245492-002	---		ohne seitliche Waschung / without sidewash / sans lavage latéral
	L/R	01-245106-021	01-245492-021	---		mit seitlicher Waschung / with sidewash / avec lavage latéral
	R/L	01-245106-024	01-245492-024	---		ohne seitliche Waschung / without sidewash / sans lavage latéral
	R/L	01-245106-026	01-245492-026	---		mit seitlicher Waschung / with sidewash / avec lavage latéral
11	L/R	01-245106-004	01-245492-004	01-245493-004		
	R/L	01-245106-008	01-245106-008	01-245493-005		
12	L/R	01-245106-017	01-245492-017	01-245493-010		
	R/L	01-245106-018	01-245492-018	01-245493-011		
13	L/R	01-245425-001	=	=		
	R/L	01-245425-002	=	=		
14		01-245424-001	=	=		
15		01-245423-001	=	=		
16	L/R	---	---	01-245493-012		
	R/L	---	---	01-245493-013		
17		---	---	01-245493-002		ohne seitliche Waschung / without sidewash / sans lavage latéral
	L/R	---	---	01-245493-014		mit seitlicher Waschung / with sidewash / avec lavage latéral
	R/L	---	---	01-245493-015		mit seitliche Waschung / with sidewash / avec lavage latéral

03.4





**A** Laufrichtung  
Working direction  
Sens de marche

**B** Bandbreite  
Conveyor width  
Largeur du convoyeur

**C** Durchlaufhöhe  
Usable height  
Hauteur de passage

**D** Länge  
Length  
Longueur

Pos.	A	B [mm]			C (D) [mm]	Bemerkung / Remarks / Remarques
		612	760	965		
01		01-297201-001	=	---		
02		01-297199-001	=	---		
03		01-297196-001	=	---		
		01-297196-004	=	---		Sieberkennung / Strainer detection / Tamis identification
04	L/R	01-297189-002	=	---		
	R/L	01-297189-001	=	---		
05		01-297295-001	=	---		
06		01-297105-001	=	---		
07		01-297211-001	=	---		
08		00-325529-001	=	---		
09		00-276903-035	=	---		
10		00-230080-001	=	---		
11	L/R	00-229679-031	=	---		
	R/L	00-229679-005	=	---		
12		00-377339-001	=	---		
13		00-229680-001	=	---		
14		00-323945-072	=	---		
15		00-323945-068	=	=		
16		01-297227-001	=	=		

03.4

03.4

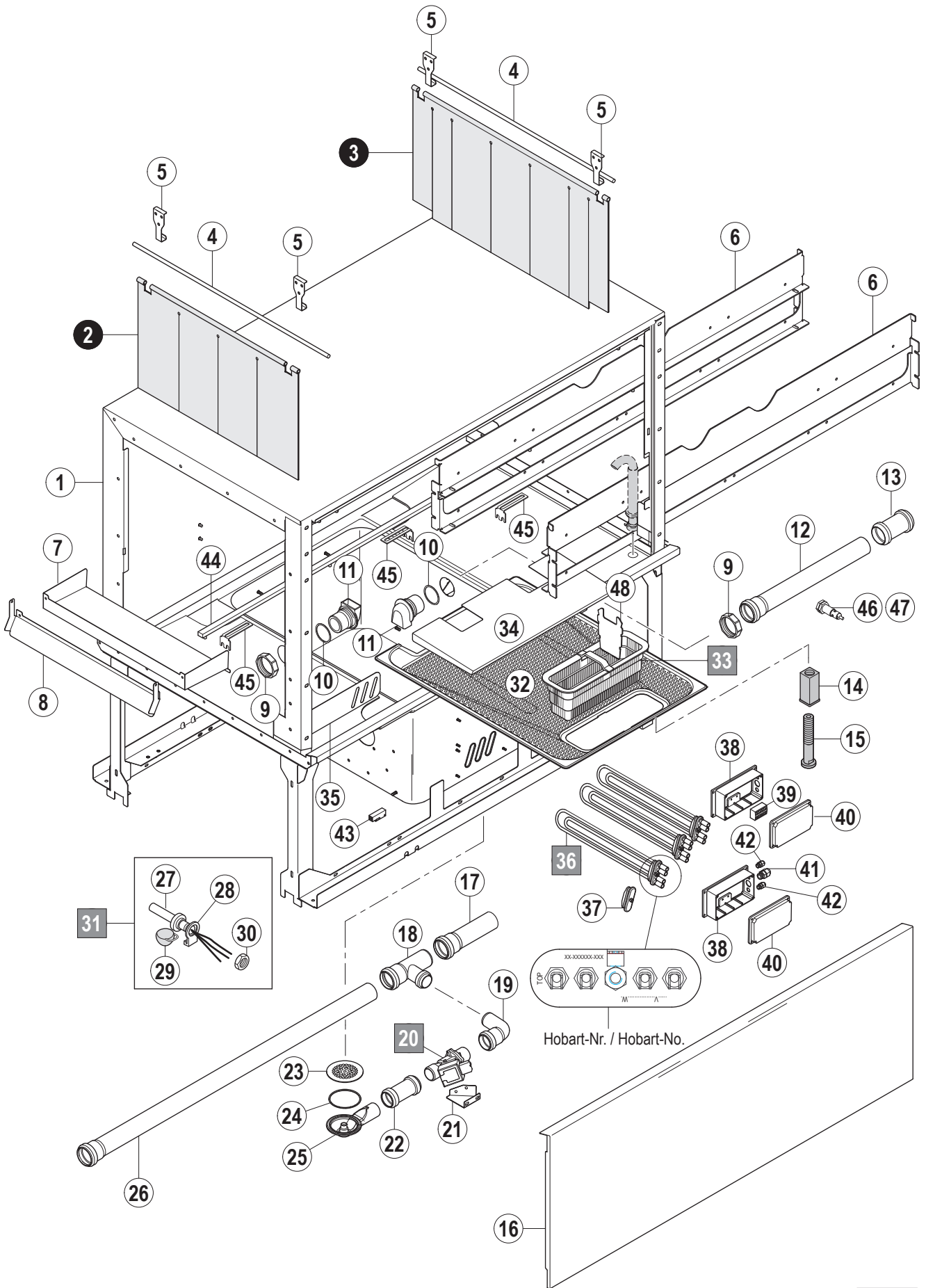
**FTN / FTP**

**Waschmodul 1400**

**Wash module 1400**

**Module de lavage 1400**

04.1



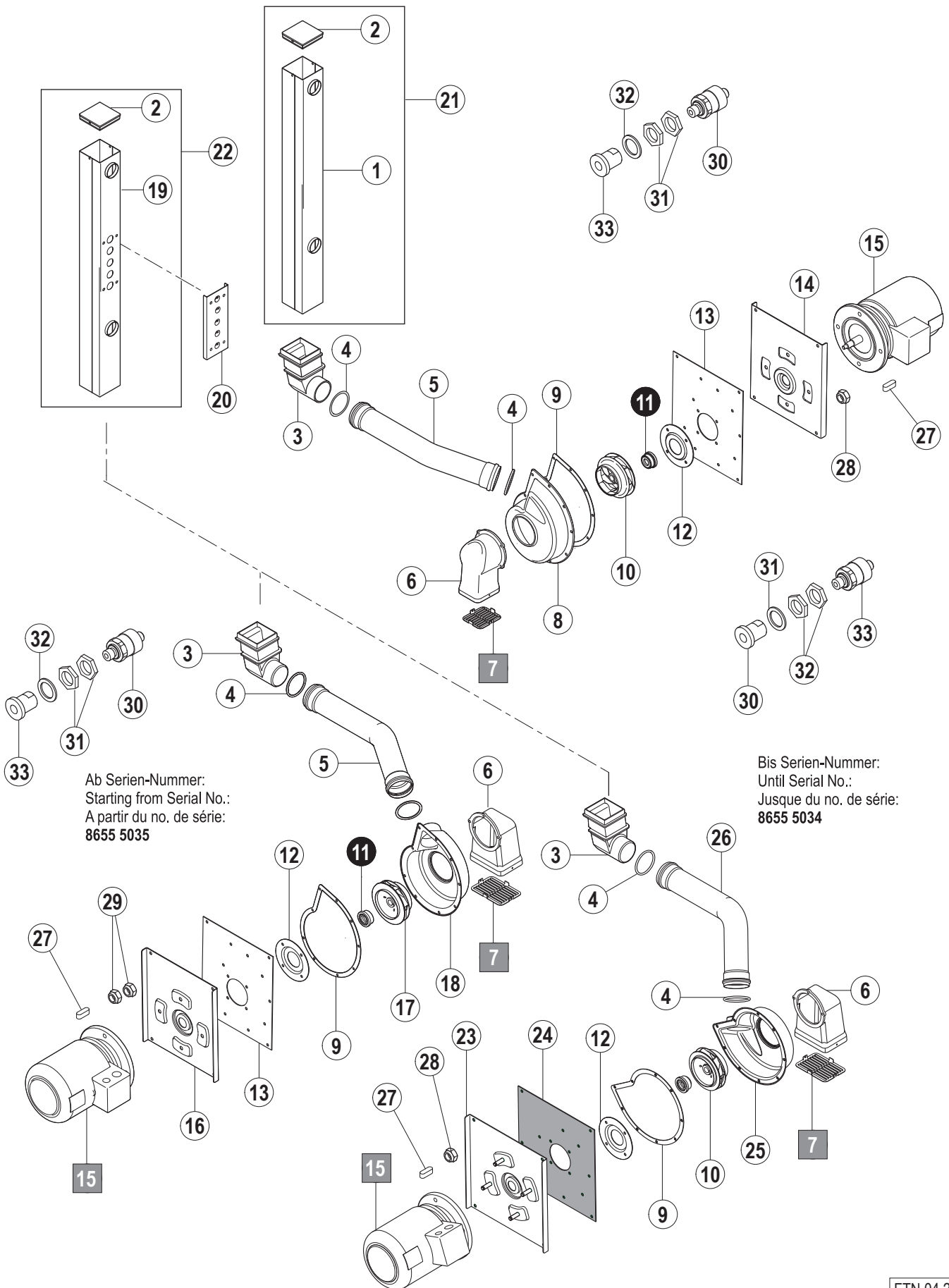
Pos.	A	B [mm]			C (D) [mm]	Bemerkung / Remarks / Remarques
		612	760	965		
01	L/R	01-245044-001	01-245401-001	01-245407-001	400	
	R/L	01-245044-002	01-245401-002	01-245407-002	400	
	L/R	01-245044-003	01-245401-003	01-245407-003	560	
	R/L	01-245044-004	01-245401-004	01-245407-004	560	
02		01-245398-002	01-245398-008	01-245398-014	400	
		01-245398-005	01-245398-011	01-245398-016	560	
03		01-245398-001	01-245398-007	01-245398-013	400	
		01-245398-004	01-245398-010	01-245398-017	560	
04		01-245396-001	01-245396-003	01-245396-005		
05		01-245395-001	=	=		
06		01-245271-002	=	=		
07		01-245536-001	01-245536-002	01-245536-003		
08		01-245880-001	01-245880-002	01-245880-003		
		01-245536-004	01-245536-005	---	250	SZ/AZ
09		01-245165-001	=	00-774650-001		
10		01-245460-001	=	00-774651-001		
11		01-245112-001	=	00-774645-002		
12		00-229679-002	=	00-734239-004		
13		00-229680-001	=	00-692283-001		
14		00-328008-001	=	=		
15		00-325007-001	=	=		
16		01-245190-002	=	=		
17		00-229679-011	=	00-325737-004		
18		00-323593-002	=	=		
19		00-230080-002	=	=		
20		00-774683-001	=	=		
21		01-245294-001	=	00-291259-001		
22		00-692283-002	=	=		
23		01-245107-001	=	=		
24		01-245340-004	=	=		
25		01-245109-001	=	=		
26		00-229679-017	=	00-229679-004		
27		00-229519-000	=	=		
28		00-112467-000	=	=		
29		00-122674-000	=	=		
30		00-602476-000	=	=		
31		01-245621-001	=	=		
32		01-245047-002	01-245047-004	01-245869-001		
33		01-245170-010	=	=		Kunststoff / plastic / plastique
		01-245867-001	=	=		CrNi / SST / inox
		01-245170-011	=	=		Kunststoff / plastic / plastique; Sieberkennung / Strainer detection / Tamis identification
		01-245867-006	=	=		CrNi / SST / inox; Sieberkennung / Strainer detection / Tamis identification
34		---	---	01-245863-001		
35		01-245372-001	=	=		
36						Nr. siehe Flansch / no. see flange / no. voir bride
37		00-774808-001	=	=		
38		01-245373-001	=	=		
39		00-325025-000	=	=		

04.1

Pos.	A	B [mm]			C (D) [mm]	Bemerkung / Remarks / Remarques
		612	760	965		
40		01-245374-001	=	=		
41		00-695661-003	=	=		
42		00-695661-001	=	=		
43		00-775491-001	=	=		
44		---	---	01-291205-002		
45		---	---	01-291206-001		
46		01-296855-001	=	=		Sieberkennung / Strainer detection / Tamis identification
47		01-296856-001	=	=		Sieberkennung / Strainer detection / Tamis identification
48		01-245966-001	=	=		



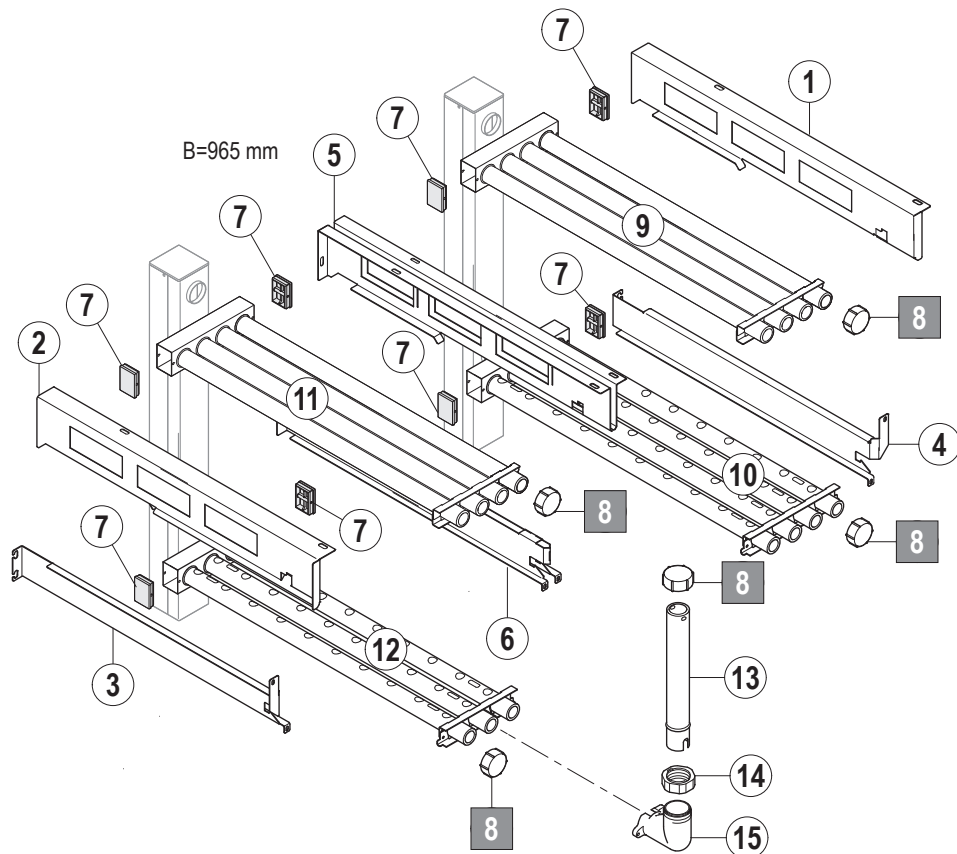
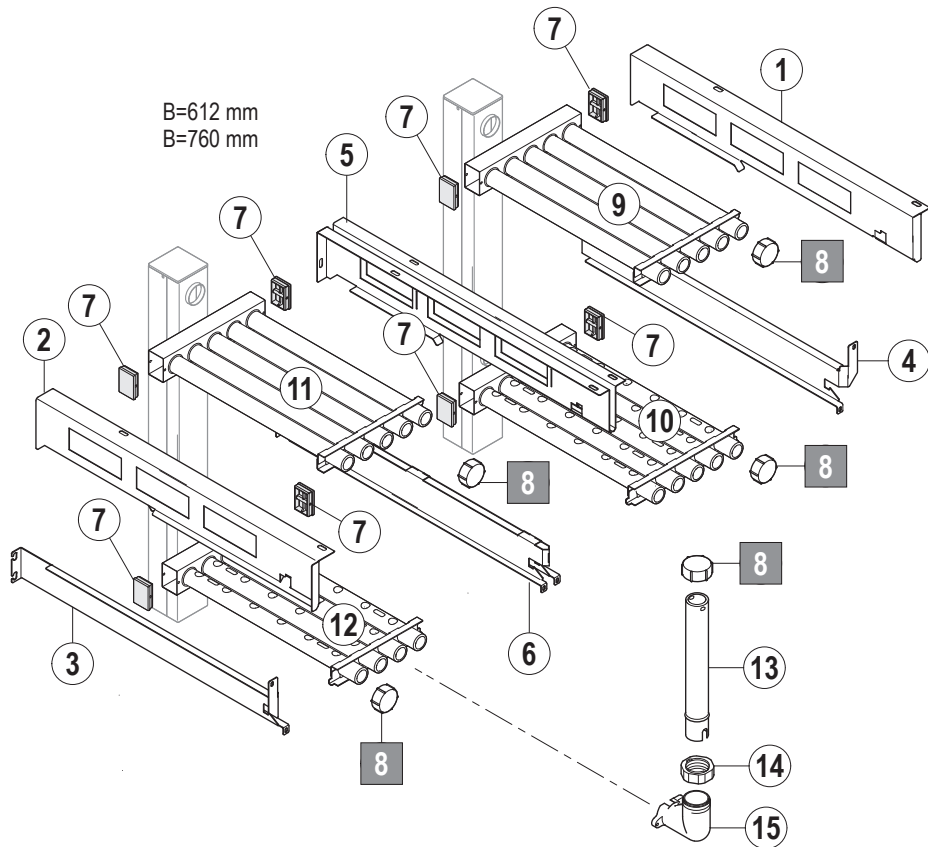
04.2



FTN 04.2b

Pos.	A	B [mm]			C (D) [mm]	Bemerkung / Remarks / Remarques
		612	760	965		
01		01-245110-001	=	=	400	
		01-245110-002	=	=	560	
02		01-245086-002	=	=		
03		01-245055-001	=	=		
04		01-245340-003	=	=		
05		01-245277-002	01-245277-003	01-245277-004		
06		01-245713-002	=	=		Kunststoff / plastic / plastique
		01-245738-001	=	=		CrNi / SST / inox
07		01-245377-002	=	=		85x120
		01-245377-004	=	=		85x165
08		01-245135-002	=	=		
09		01-245459-001	=	=		
10		01-245088-003	01-245088-005	01-245088-005		
11		01-245033-002	=	=		
12		01-245379-001	=	=		
13		01-245386-001	=	=		
14		01-245835-001	=	=		
15		01-245176-...	=	=		siehe Schaltplan / see wiring diagram / voir schéma de câblage
16		01-245835-002	=	=		
17		01-245162-003	01-245162-005	01-245162-001		
18		01-245135-001	=	=		
19		01-245110-003	=	=	400	
		01-245110-004	=	=	560	
20		01-245428-002	=	=		
21		01-245669-001	=	=	400	
		01-245669-002	=	=	560	
22		01-245669-003	=	=	400	
		01-245669-004	=	=	560	
23		01-245763-002	=	=		
24		01-245765-001	=	=		
25		01-245135-003	=	=		
26		01-245277-005	01-245277-006	---		
27		00-609801-000	=	=		
28		00-602504-000	=	=		
29		00-603465-000	=	=		
30		01-297200-001	=	---		PREMAX
31		00-172739-001	=	---		PREMAX
32		00-172986-003	=	---		PREMAX
33		00-869222-002	=	---		PREMAX

04.3



FTN 04.3

Pos.	A	B [mm]			C (D) [mm]	Bemerkung / Remarks / Remarques
		612	760	965		
01	L/R	01-245333-001	01-245333-003	01-245333-005		
	R/L	01-245332-001	01-245332-003	01-245332-005		
02	L/R	01-245332-002	01-245332-004	01-245332-006		
	R/L	01-245333-002	01-245333-004	01-245333-006		
03		01-245331-001	01-245331-003	01-245331-005		
04		01-245331-002	01-245331-004	01-245331-006		
05		01-245518-001	01-245518-002	01-245518-003		
06		01-245515-001	01-245515-002	01-245515-003		
07		01-245086-001	=	=		
08		01-245084-001	=	=		
09		01-245106-010	01-245492-010	01-245493-004		
10	L/R	01-245106-013	01-245492-013	01-245493-007		ohne seitliche Waschung / without sidewash / sans lavage latéral
	R/L	01-245106-014	01-245492-014	01-245493-009		ohne seitliche Waschung / without sidewash / sans lavage latéral
	R/L	01-245106-023	01-245492-023	01-245493-018		mit seitlicher Waschung / with sidewash / avec lavage latéral
11		01-245106-009	01-245492-009	01-245493-005		
12	L/R	01-245106-011	01-245492-011	01-245493-006		ohne seitliche Waschung / without sidewash / sans lavage latéral
	R/L	01-245106-012	01-245492-012	01-245493-008		ohne seitliche Waschung / without sidewash / sans lavage latéral
	L/R	01-245106-022	01-245492-022	01-245493-017		mit seitlicher Waschung / with sidewash / avec lavage latéral
13	L/R	01-245425-001	=	=		
	R/L	01-245425-002	=	=		
14		01-245424-001	=	=		
15		01-245423-001	=	=		



---

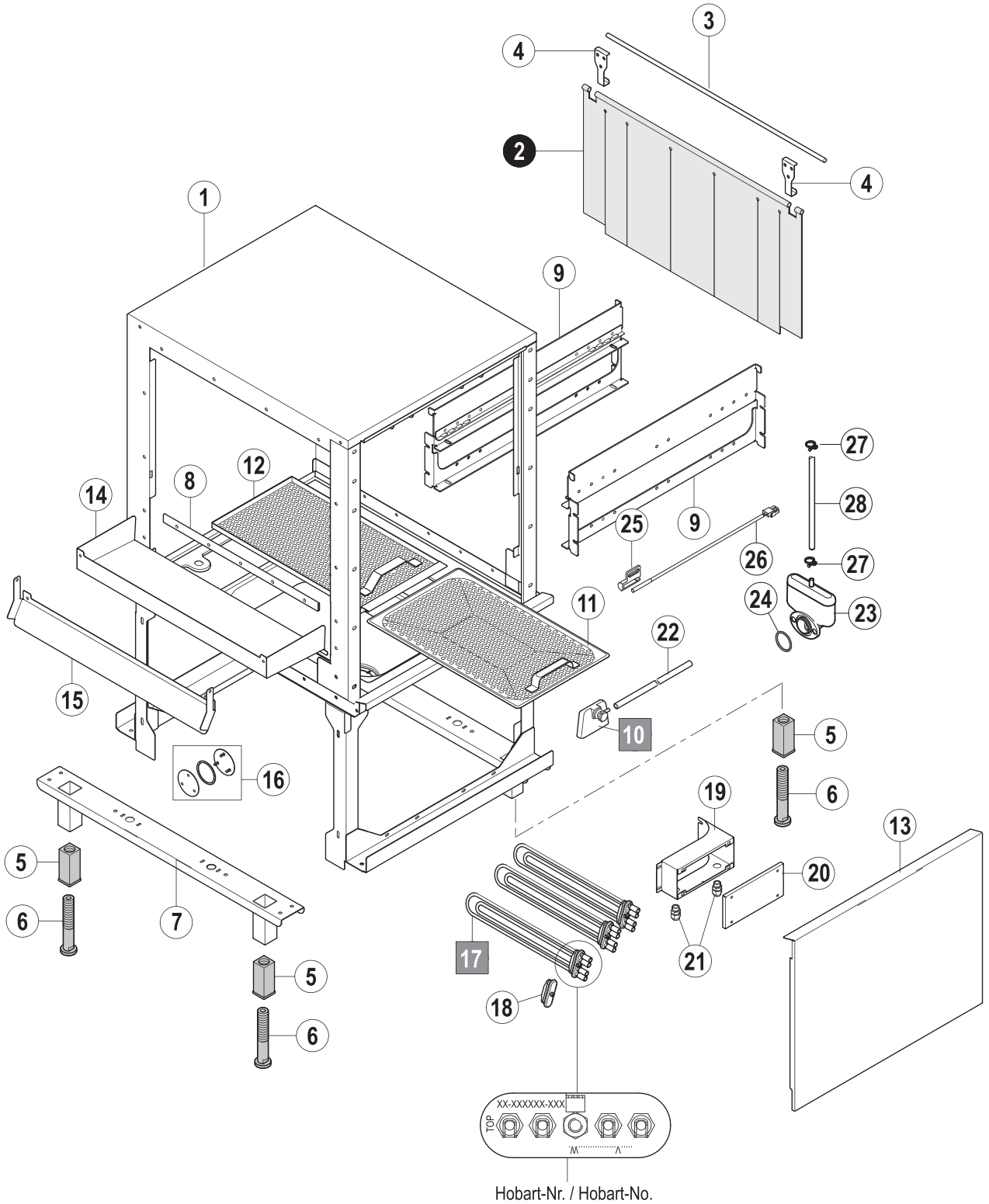
**FTN / FTP**

**Spülmodul**

**Rinse module**

**Module de rinçage**

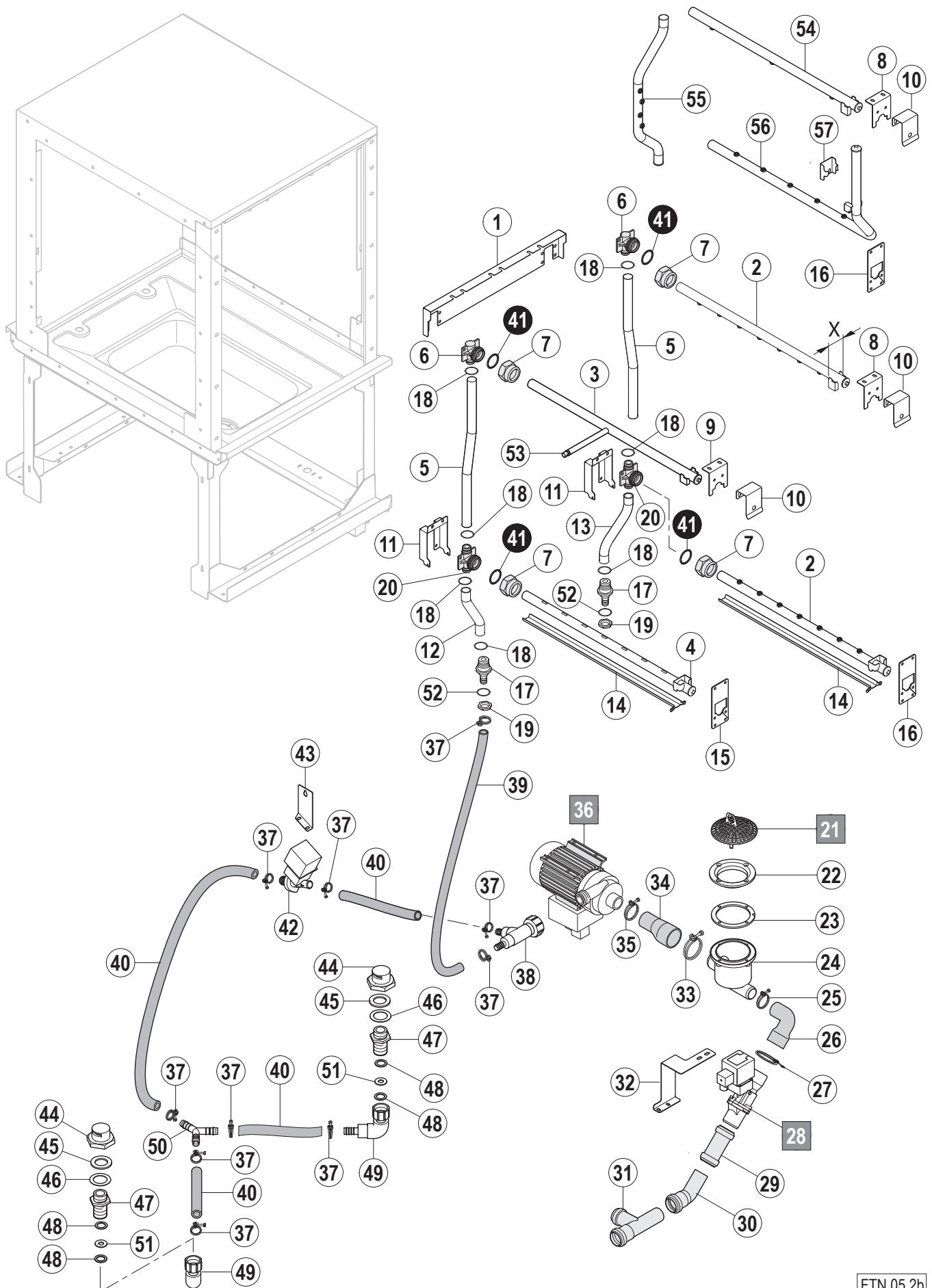
05.1



FTN 05.1

Pos.	A	B [mm]			C (D) [mm]	Bemerkung / Remarks / Remarques
		612	760	965		
01		01-245048-003	01-245522-003	01-245409-001	400 (500)	
		01-245048-007	01-245522-007	01-245409-003	560 (500)	
		01-245048-004	01-245522-004	01-245409-002	400 (650)	
		01-245048-008	01-245522-008	01-245409-004	560 (650)	
		01-245048-001	01-245522-001	---	400 (500)	PREMAX
		01-245048-005	01-245522-005	---	560 (500)	PREMAX
		01-245048-002	01-245522-002	---	400 (650)	PREMAX
		01-245048-006	01-245522-006	---	560 (650)	PREMAX
02		01-245398-001	01-245398-007	01-245398-013	400	
		01-245398-004	01-245398-010	01-245398-016	560	
03		01-245396-001	01-245396-003	01-245396-005		
04		01-245395-001	=	=		
05		00-325008-001	=	=		
06		00-325007-001	=	=		
07		01-245452-002	01-245452-003	01-245452-004		
08		01-245324-001	01-245324-002	01-245324-003		
09		01-245271-003	=	=	(500)	
		01-245271-005	=	=	(650)	
10		00-324858-001	=	=		Kunststoff / plastic / plastique
		00-784356-001	=	=		CrNi / SST / inox
11		01-245118-001	=	01-245535-002		
		01-518207-001	=	=		Sieberkennung / Strainer detection / Tamis identification
12		---	---	01-245535-001		
13		01-245190-003	=	=	(500)	
		01-245190-004	=	=	(650)	
14		01-245536-001	01-245536-002	01-245536-003		
15		01-245880-001	01-245880-002	01-245880-003		
16		01-245679-001	=	=		
17				---		PREMAX Nr. siehe Flansch / no. see flange / no. voir bride
18		00-774808-001	=	---		PREMAX
19		01-245657-001	=	---		PREMAX
20		01-245656-002	=	---		PREMAX
21		00-695661-003	=	---		PREMAX
22		00-324402-008	=	=		
23		01-240076-002	=	=		
24		00-276903-056	=	=		
25		00-883838-001	=	=		Sieberkennung / Strainer detection / Tamis identification
26		01-240288-001	=	=		Sieberkennung / Strainer detection / Tamis identification
27		00-324510-081	=	=		
28		00-898252-002	=	=		

05.2



FTN 05.2b

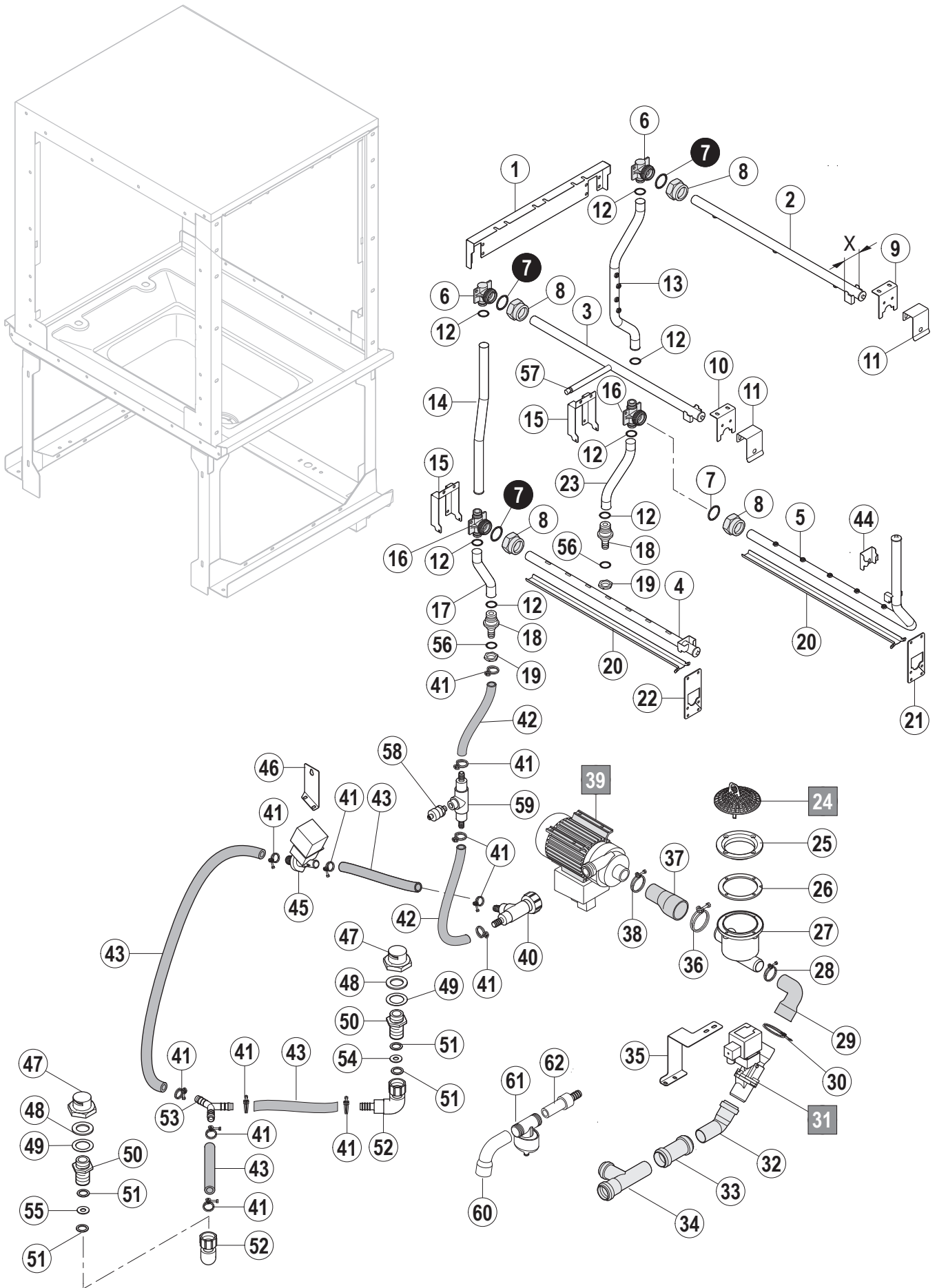
Pos.	A	B [mm]			C (D) [mm]	Bemerkung / Remarks / Remarques
		612	760	965		
01		01-245743-001	=	=	(500)	
		01-245743-003	=	=	(650)	
02		01-245255-001	01-245255-002	01-245255-003		X=43,5
						X=34
03		01-245258-001	01-245258-002	01-245258-003		Duo-Spülung / dual rinse / double rinçage
	L/R	01-245342-001	01-245342-003	01-245342-005		3-fach Spülung / triple rinse / triple rinçage
	R/L	01-245342-002	01-245342-004	01-245342-006		3-fach Spülung / triple rinse / triple rinçage
04		01-245258-001	01-245258-002	01-245258-003		
05		01-245323-001	=	=	400	
		01-245323-002	=	=	560	
06		01-245318-002	=	=		
07		00-885572-001	=	=		
08	L/R	01-245063-003	=	=		
	R/L	01-245063-002	=	=		
09	L/R	01-245063-002	=	=		
	R/L	01-245063-003	=	=		
10		01-245062-001	=	=		
11		01-245327-001	=	=		
12	L/R	01-245322-001	=	=	(500)	
	R/L	01-245322-001	=	=	(500)	
	L/R	01-245322-003	=	=	(650)	
	R/L	01-245322-002	=	=	(650)	
13	L/R	01-245322-001	=	=	(500)	
	R/L	01-245322-001	=	=	(500)	
	L/R	01-245322-002	=	=	(650)	
	R/L	01-245322-003	=	=	(650)	
14		01-245058-001	01-245058-002	01-245058-003		
15	L/R	01-245059-002	=	=		
	R/L	01-291885-001	=	=		
16	L/R	01-291885-001	=	=		
	R/L	01-245059-003	=	=		
17		01-245329-001	=	=		
18		01-245340-001	=	=		
19		00-172739-009	=	=		
20		01-245318-001	=	=		
21		00-775750-001	=	=		
22		00-324053-000	=	=		
23		00-324056-000	=	=		
24		00-323802-001	=	=		
25		00-323945-037	=	=		
26		01-245307-001	=	=		
27		00-325945-046	=	=		
28		00-774683-001	=	=		
29		00-692283-002	=	=		
30		00-377340-003	=	=		
31		00-323593-001	=	=		
32		01-245296-001	=	01-291195-001		
33		00-323945-053	=	=		
34		01-245308-001	=	=		
35		00-323945-040	=	=		

05.2

Pos.	A	B [mm]			C (D) [mm]	Bemerkung / Remarks / Remarques
		612	760	965		
36		00-781237-...	=	=		siehe Schaltplan / see wiring diagram / voir schéma de câblage
37		00-323945-022	=	=		
38		01-245654-001	=	=		
39		01-245571-001	=	=		
40		00-887667-001	=	=		
41		00-884505-002	=	=		
42		00-323592-001	=	=		
43		01-245658-001	=	01-245658-002		
44		00-774670-001	=	=		
45		00-172986-027	=	=		
46		00-696936-018	=	=		
47		01-245850-001	=	=		
48		00-168611-009	=	=		
49		00-897694-002	=	=		
50		00-174047-001	=	=		
51		01-245857-001	=	=		
52		01-245340-002	=	=		
53		01-245343-003	01-245343-004	01-245343-004		
54		01-245254-001	01-245254-002	---		
55	L/R	01-245067-001	=	---	400	
	R/L	01-245497-001	=	---	400	
	L/R	01-245067-002	=	---	560	
	R/L	01-245497-002	=	---	560	
56	L/R	01-245253-001	01-245253-002	---		
	R/L	01-245338-001	01-245338-002	---		
57		01-245252-001	=			



05.3



FTN 05.3b

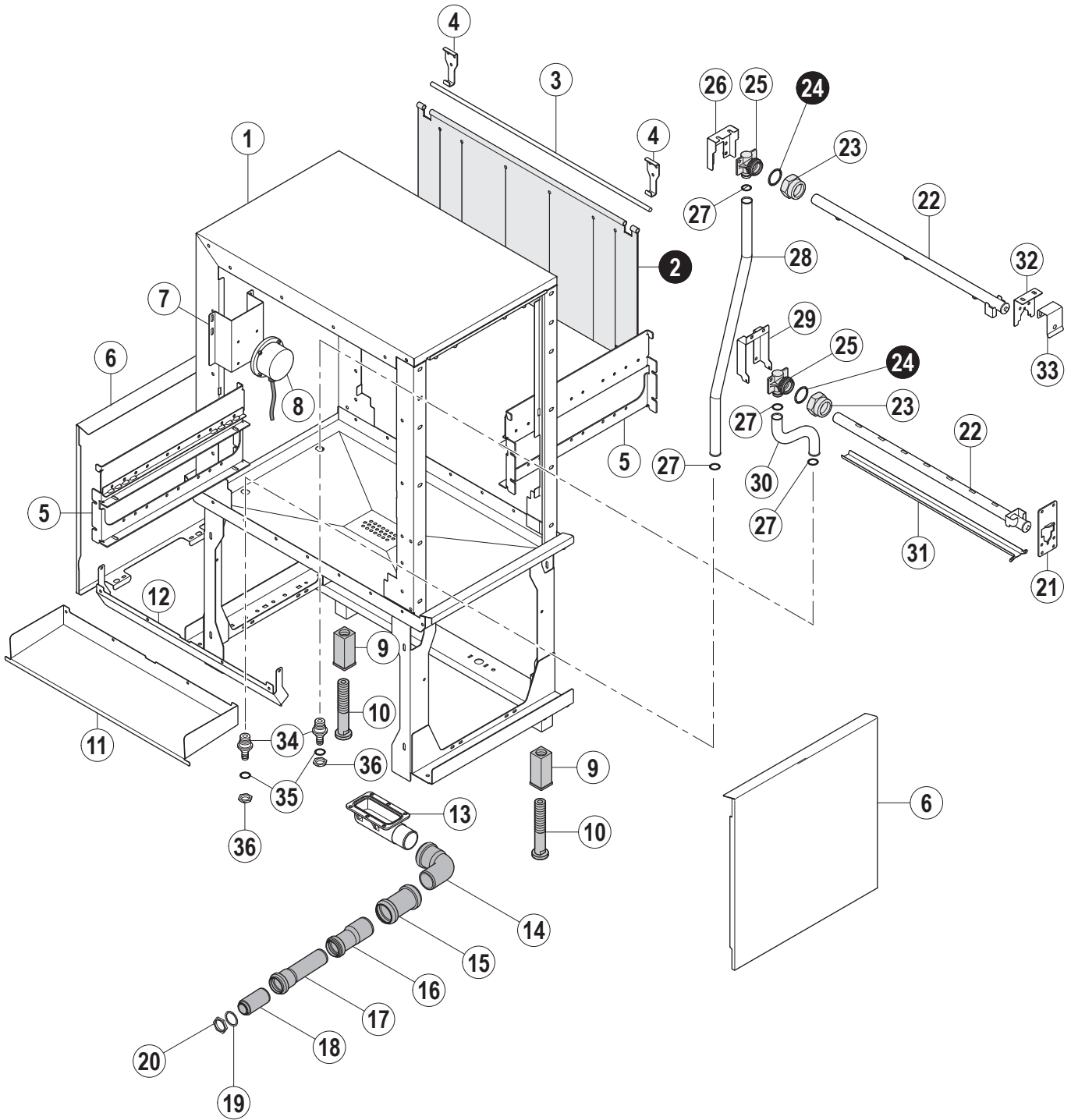
Pos.	A	B [mm]			C (D) [mm]	Bemerkung / Remarks / Remarques
		612	760	965		
01		01-245743-001	=	---	(500)	
		01-245743-003	=	---	(650)	
02		01-245254-001	01-245254-002	---		X=43,5
		01-245254-006	01-245254-007	---		X=34
03	L/R	01-245342-001	01-245342-009	---		
	R/L	01-245342-002	01-245342-010	---		
04		01-245258-001	01-245258-002	---		
05	L/R	01-245253-001	01-245253-002	---		
	R/L	01-245338-001	01-245338-002	---		
06		01-245318-002	=	---		
07		00-884505-002	=	---		
08		00-885572-001	=	---		
09	L/R	01-245063-003	=	---		
	R/L	01-245063-002	=	---		
10	L/R	01-245063-002	=	---		
	R/L	01-245063-003	=	---		
11		01-245062-001	=	---		
12		01-245340-001	=	---		
13	L/R	01-245067-001	=	---	400	
	R/L	01-245497-001	=	---	400	
	L/R	01-245067-002	=	---	560	
	R/L	01-245497-002	=	---	560	
14		01-245323-001	=	---	400	
		01-245323-002	=	---	560	
15		01-245327-001	=	---		
16		01-245318-002	=	---		
17	L/R	01-245322-001	=	---	(500)	
	R/L	01-245322-001	=	---	(500)	
	L/R	01-245322-003	=	---	(650)	
	R/L	01-245322-002	=	---	(650)	
18		01-245329-001	=	---		
19		00-172739-009	=	---		
20		01-245058-001	01-245058-002	---		
21	L/R	01-291885-001	=	---		
	R/L	01-245059-003	=	---		
22	L/R	01-245059-002	=	---		
	R/L	01-291885-001	=	---		
23	L/R	01-245322-001	=	---	(500)	
	R/L	01-245322-001	=	---	(500)	
	L/R	01-245322-002	=	---	(650)	
	R/L	01-245322-003	=	---	(650)	
24		00-775750-001	=	---		
25		00-324053-000	=	---		
26		00-324056-000	=	---		
27		00-323802-001	=	---		
28		00-323945-022	=	---		
29		01-245307-001	=	---		
30		00-323945-022	=	---		
31		00-774683-000	=	---		
32		00-230080-004	=	---		

Pos.	A	B [mm]			C (D) [mm]	Bemerkung / Remarks / Remarques
		612	760	965		
33		00-692283-000	=	---		
34		00-323593-001	=	---		
35		01-245296-002	=	---		
36		00-323945-022	=	---		
37		01-245308-001	=	---		
38		00-323945-022	=	---		
39		00-781237...	=	---		siehe Schaltplan / see wiring diagram / voir schéma de câblage
40		01-245654-001	=	---		
41		00-323945-022	=	---		
42		01-245571-001	=	---		
43		01-245571-003	=	---		
44		01-245252-001	=	---		
45		00-323592-001	=	---		
46		01-245658-001	=	---		
47		00-774670-001	=	---		
48		00-172986-027	=	---		
49		00-696936-018	=	---		
50		01-245850-001	=	---		
51		00-168611-009	=	---		
52		00-897694-002	=	---		
53		00-174047-001	=	---		
54		01-245857-001	=	---		
55		01-245857-002	=	---		
56		01-245340-002	=	---		
57		01-245343-003	01-245343-002	---		
58		01-297200-001	=	---		
59		01-297012-003	=	---		
60		01-518255-001	=	---		
61		01-515022-002	=	---		
62		00-897679-003	=	---		

05.3



05.4





**A** Laufrichtung  
Working direction  
Sens de marche

**B** Bandbreite  
Conveyor width  
Largeur du convoyeur

**C** Durchlaufhöhe  
Usable height  
Hauteur de passage

**D** Länge  
Length  
Longueur

Pos.	A	B [mm]			C (D) [mm]	Bemerkung / Remarks / Remarques
		612	760	965		
01		01-291150-001	01-291150-003		400	
		01-291150-002	01-291150-004		560	
02		01-245398-001	01-245398-007	01-245398-013	400	
		01-245398-004	01-245398-010	01-245398-016	560	
03		01-245396-001	01-245396-003	01-245396-005		
04		01-245395-001	=	=		
05		01-245271-003	=	=	(500)	
06		01-245190-003	=	=	(500)	
07		00-868978-001	=	=		
08		00-301745-001	=	=		
09		00-325008-001	=	=		
10		00-325007-001	=	=		
11		01-245536-001	01-245536-002	01-245536-003		
12		01-245880-001	01-245880-002	01-245880-003		
13		00-325529-001	=	=		
14		00-230080-001	=	=		
15		00-229680-001	=	=		
16		00-325708-001	=	=		
17		00-325706-013	=	=		
18		00-774616-000	=	=		
19		00-172986-028	=	=		
20		00-172739-008	=	=		
21		01-297885-002	=	=		
22		01-245254-003	01-245254-004			
23		00-885572-001	=	=		
24		00-884505-002	=	=		
25		01-245318-002	=	=		
26		01-245743-002	=	=		
27		01-245340-001	=	=		
28		01-245485-001	=		400	
		01-245485-002	=		560	
29		01-245327-001	=	=		
30		01-245483-001	=	=		
31		01-245058-001	01-245058-002			
32		01-245063-004	=	=		
33		01-245062-001	=	=		
34		01-245329-001	=	=		
35		01-245340-002	=	=		
36		00-172739-009	=	=		

05.4



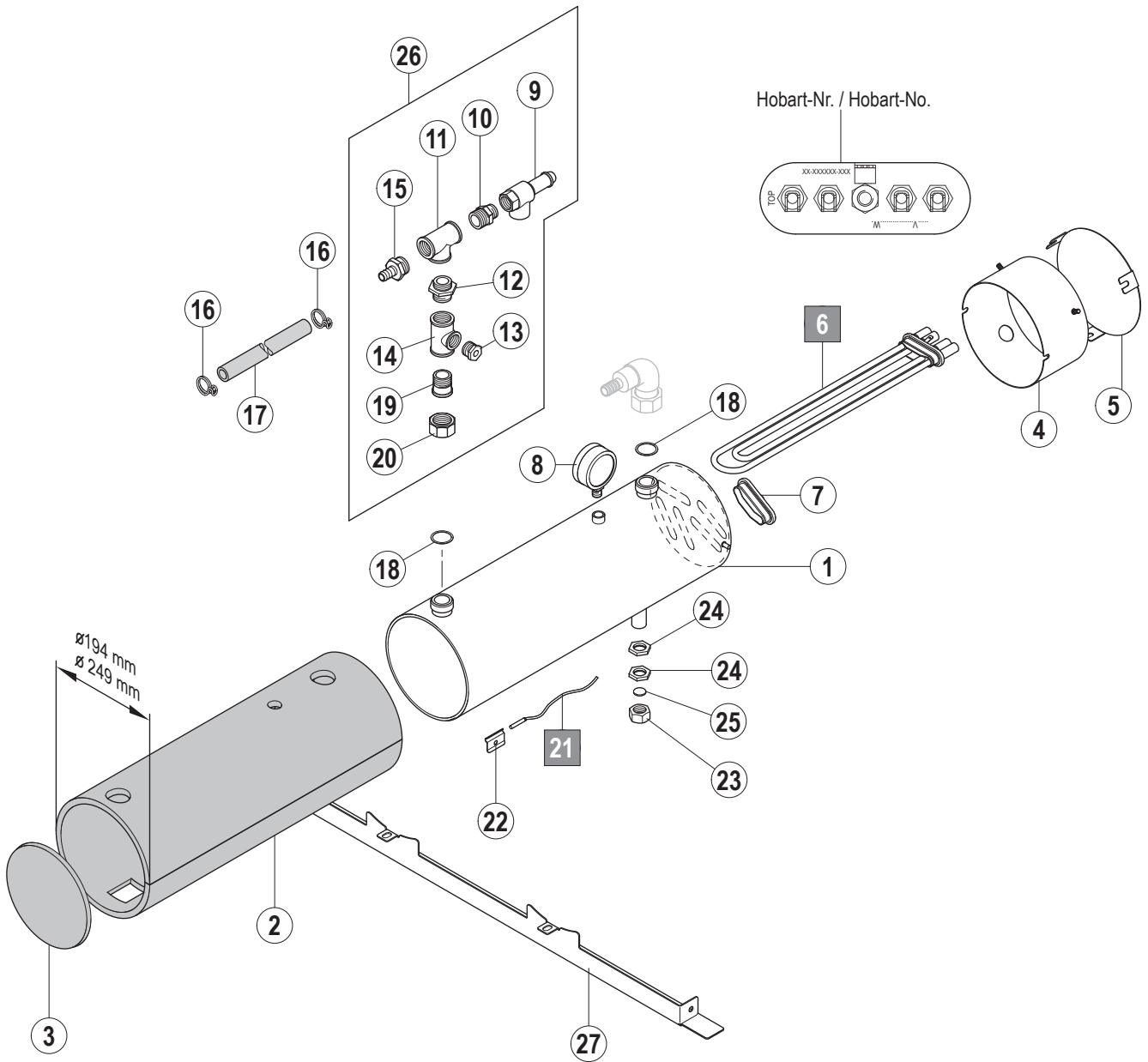
**FTN / FTP**

**Erhitzer**

**Booster**

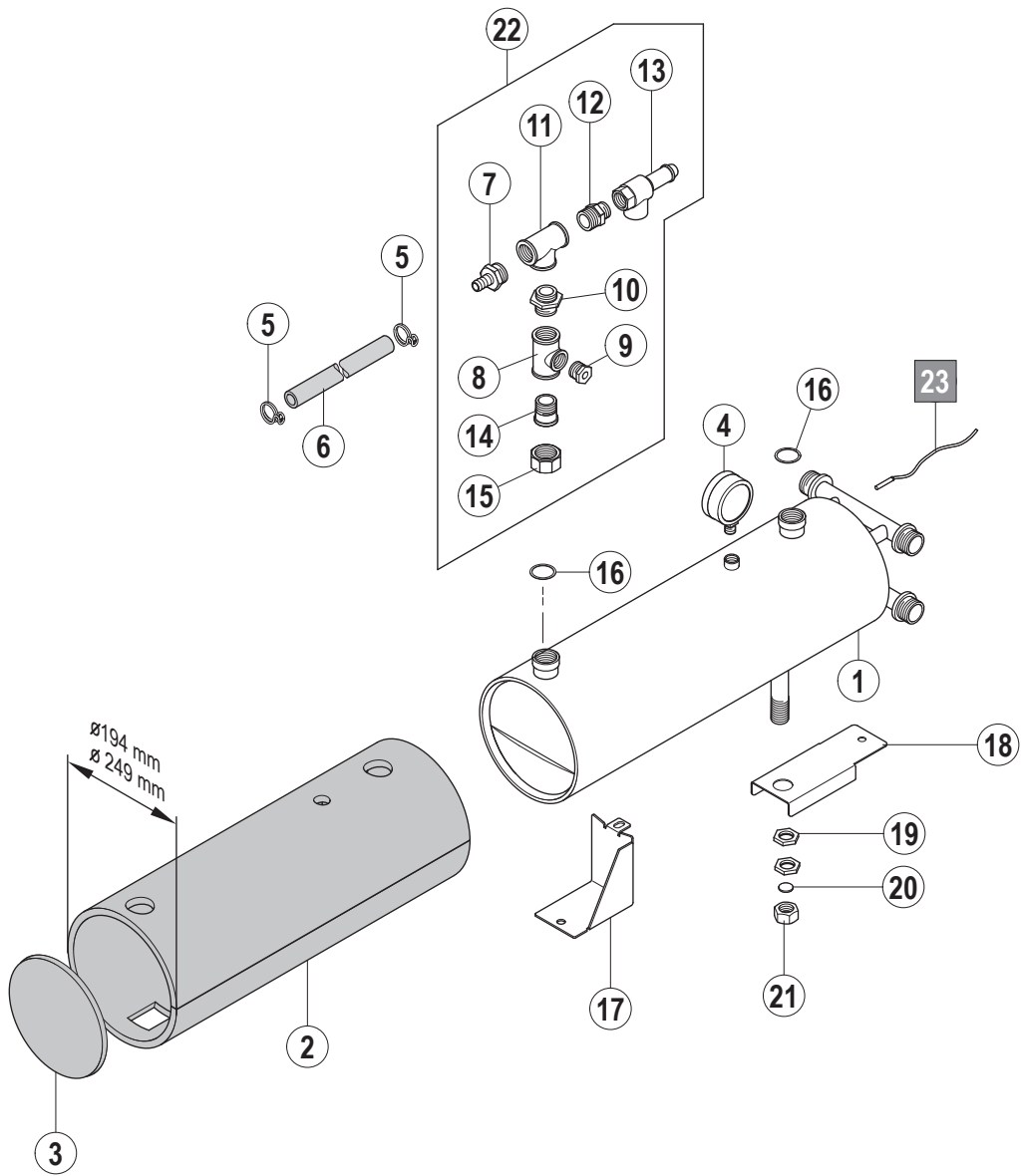
**Chaudière**

06.1



Pos.	A	[mm]			C (D) [mm]	Bemerkung / Remarks / Remarques
		ø 194	ø 249			
01		00-897637-001	01-241855-001			
02		00-897657-001	01-241874-001			
03		00-897657-002	01-241876-001			
04		01-249044-001	01-249044-002			
05		01-249043-001	01-249043-002			
06						Nr. siehe Flansch / no. see flange / no. voir bride
07		00-774808-001	=			
08		00-229583-001	=			
09		00-229621-001	=			
10		00-602757-000	=			
11		00-603163-000	=			
12		00-227931-000	=			
13		01-291287-001	=			
14		01-291288-001	=			
15		00-897680-001	=			
16		00-323945-022	=			
17		01-245571-002	=			
18		00-168611-003	=			
19		01-291286-001	=			
20		00-600806-000	=			
21		00-378584-000	=			
22		00-775489-001	=			
23		00-600588-000	=			
24		00-172739-001	=			
25		00-168611-022	=			
26		01-244435-001	=			
		B [mm]				
		612	760	965		
27		01-245768-004	01-245768-005	01-245768-006		

06.2



Pos.	A	[mm]			Bemerkung / Remarks / Remarques
		ø 194	ø 249		
01		01-245564-001	01-245948-001		
02		00-897657-001	01-241874-001		
03		00-897657-002	01-241876-001		
04		00-229583-001	=		
05		00-323945-022	=		
06		01-245571-002	=		
07		00-897680-001	=		
08		01-291288-001	=		
09		01-291287-001	=		
10		00-227931-000	=		
11		00-603163-000	=		
12		00-602757-000	=		
13		00-229621-001	=		
14		01-291286-001	=		
15		00-600806-000	=		
16		00-168611-003	=		
17		01-245299-002	=		
18		01-245298-001	=		
19		00-172739-001	=		
20		00-168611-022	=		
21		00-600588-000	=		
22		01-244435-001	=		
23		00-378584-000	=		



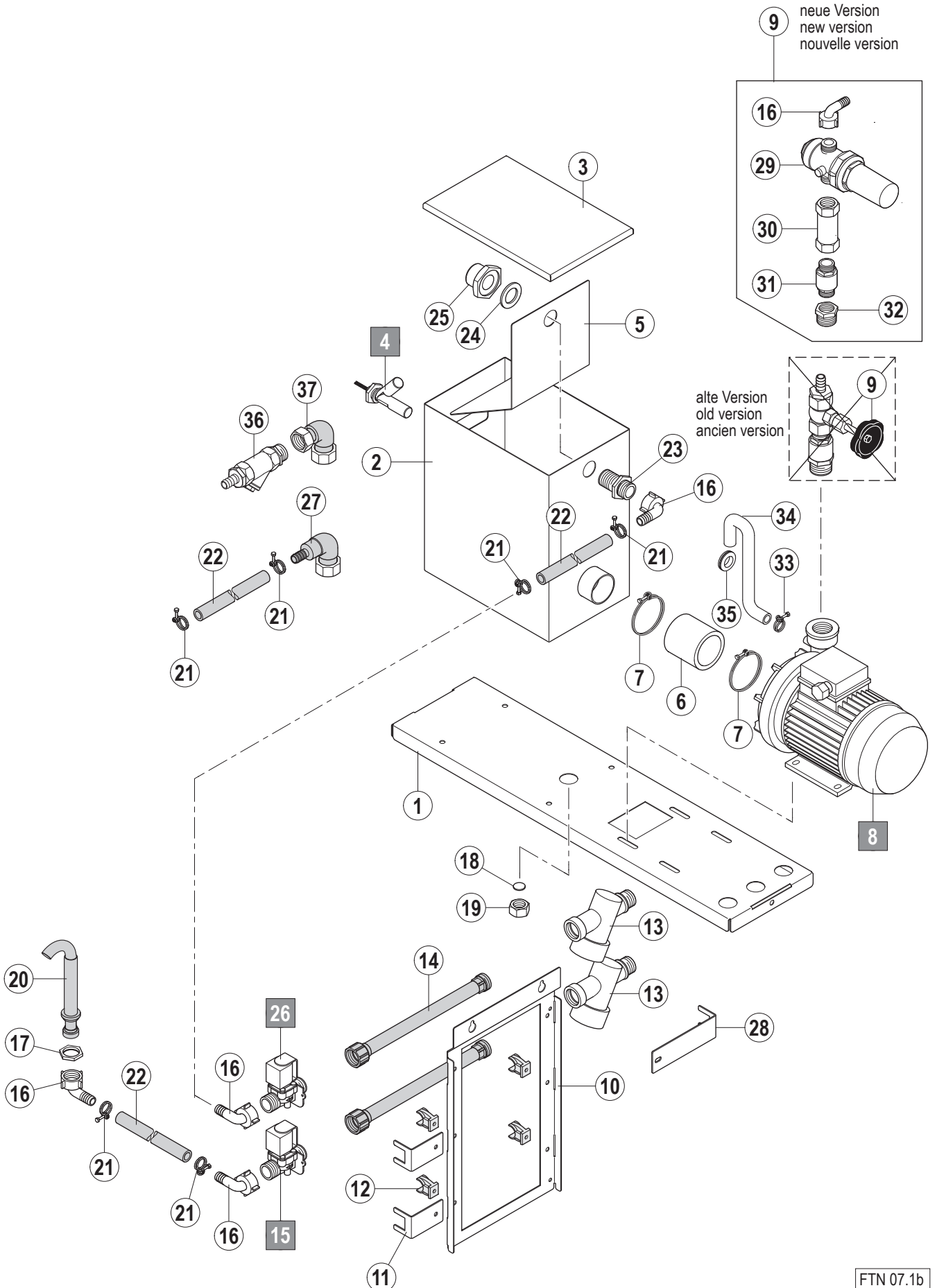
**FTN / FTP**

**Füllsystem**

**Filling system**

**Système de remplissage**

07.1





**A** Laufrichtung  
Working direction  
Sens de marche

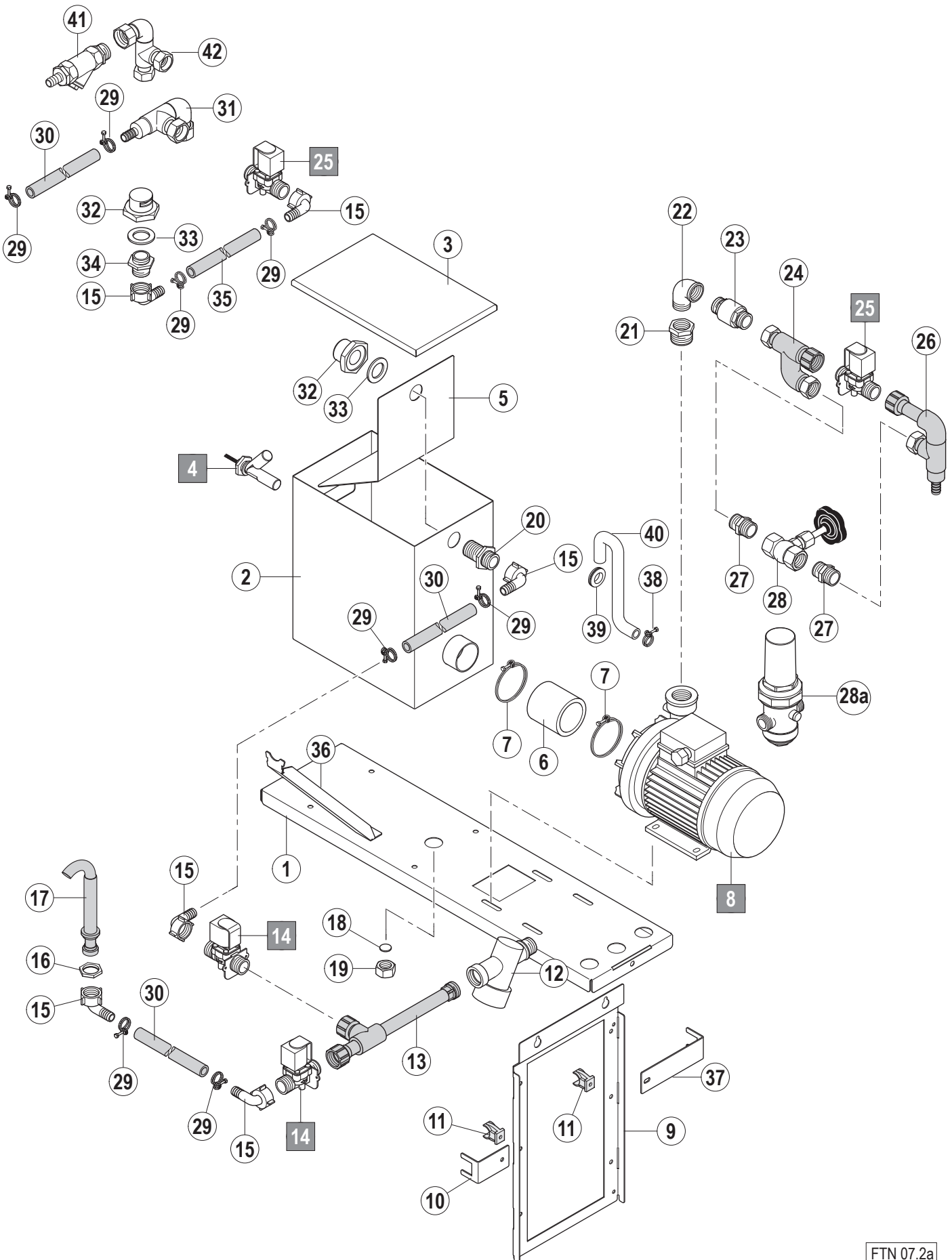
**B** Bandbreite  
Conveyor width  
Largeur du convoyeur

**C** Durchlaufhöhe  
Usable height  
Hauteur de passage

**D** Länge  
Length  
Longueur

Pos.	A	B [mm]			C (D) [mm]	Bemerkung / Remarks / Remarques
		612	760	965		
01		01-245316-004	01-245316-005	01-296009-001		
02		01-291153-001	=	=		
03		01-291152-001	=	=		
04		00-735171-002	=	=		
05		01-291323-001	=	=		
06		00-693255-003	=	=		
07		00-323945-072	=	=		
08		00-897662-...	=	=		siehe Schaltplan / see wiring diagram / voir schéma de câblage
09		01-241859-002	=	=		
10		01-291121-001	=	=		
11		01-291324-001	=	=		
12		00-228810-002	=	=		
13		00-774810-001	=	=		
14		01-291004-003	=	=		
15		00-297808-012	=	=		
16		00-299240-001	=	=		
17		00-172739-002	=	=		
18		00-168611-022	=	=		
19		00-600588-000	=	=		
20		00-693299-001	=	=		
21		00-323945-022	=	=		
22		01-245571-003	=	=		
23		01-245850-001	=	=		
24		00-172986-027	=	=		
25		00-774670-001	=	=		
26		00-297808-012	=	=		
27		00-897694-001	=	=		
28		01-291324-002	=	=		
29		00-229110-002	=	=		
30		01-244417-001	=	=		
31		00-897668-001	=	=		
32		00-603076-000	=	=		
33		00-323945-020	=	=		
34		01-518216-001	=	=		
35		00-227748-014	=	=		
36		01-243891-002	=	=		alternativ / alternative / alternative
37		01-245560-003	=	=		alternativ / alternative / alternative

07.1



07.2



**A** Laufrichtung  
Working direction  
Sens de marche

**B** Bandbreite  
Conveyor width  
Largeur du convoyeur

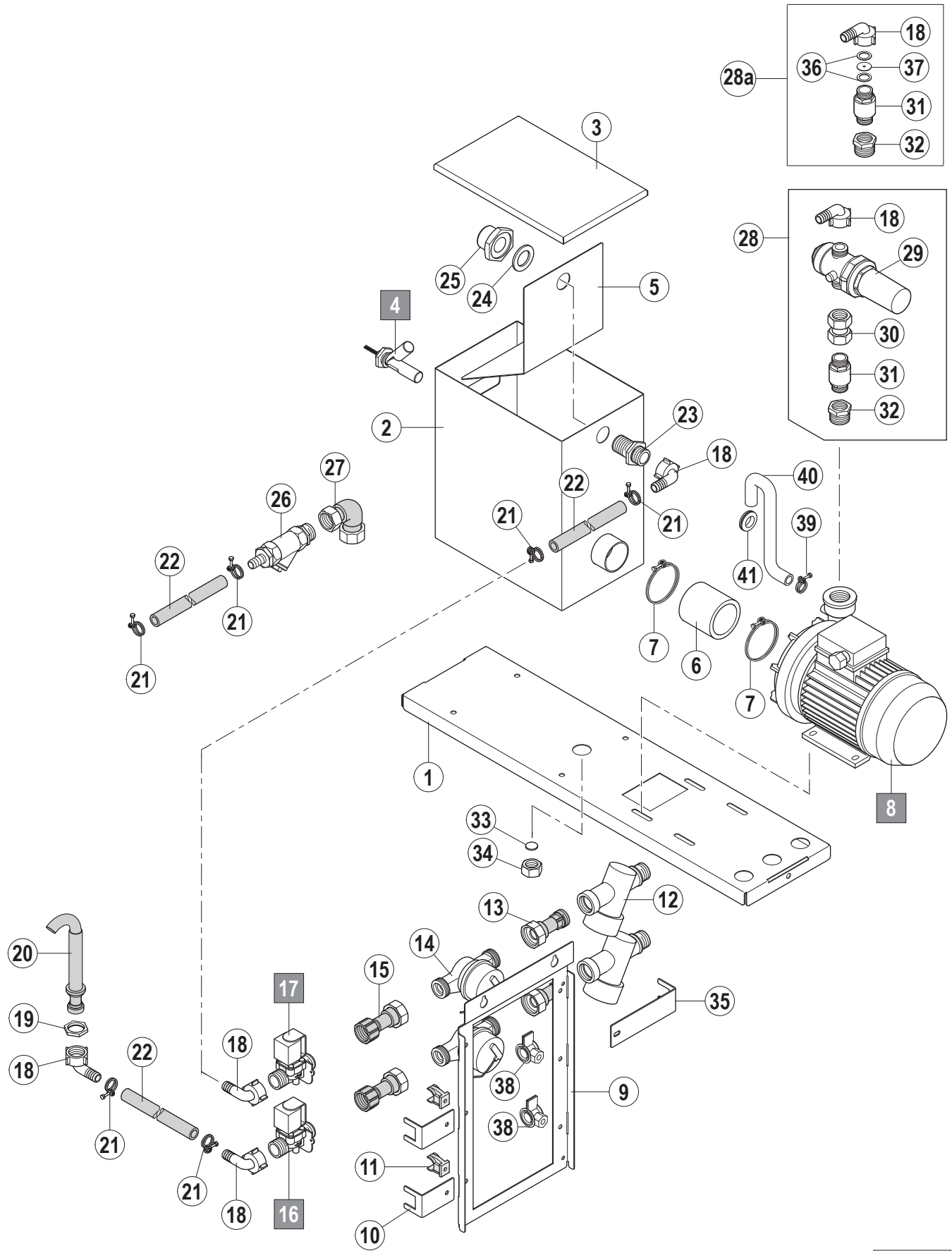
**C** Durchlaufhöhe  
Usable height  
Hauteur de passage

**D** Länge  
Length  
Longueur

Pos.	A	B [mm]			C (D) [mm]	Bemerkung / Remarks / Remarques
		612	760	965		
01		01-245316-004	01-245316-005	---		
02		01-291153-001	=	---		
03		01-291152-001	=	---		
04		00-735171-002	=	---		
05		01-291323-001	=	---		
06		00-693255-003	=	---		
07		00-323945-072	=	---		
08		00-897662-...	=	---		siehe Schaltplan / see wiring diagram / voir schéma de câblage
09		01-291121-001	=	---		
10		01-291324-001	=	---		
11		00-228810-002	=	---		
12		00-774810-001	=	---		
13		01-291004-004	=	---		
14		00-297808-012	=	---		
15		00-299240-001	=	---		
16		00-172739-002	=	---		
17		00-693299-001	=	---		
18		00-168611-022	=	---		
19		00-600588-000	=	---		
20		01-245850-001	=	---		
21		00-603076-000	=	---		
22		00-602770-000	=	---		
23		00-897668-001	=	---		
24		01-245693-001	=	---		
25		00-297808-010	=	---		
26		01-245694-001	=	---		
27		00-603521-000	=	---		
28		01-241853-002	=	---		
28a		00-229110-002	=	---		alternativ / alternative / alternative
29		00-323945-022	=	---		
30		01-245571-003	=	---		
31		01-245560-002	=	---		
32		00-774670-001	=	---		
33		00-172986-027	=	---		
34		00-227931-000	=	---		
35		01-245571-002	=	---		
36		01-291969-001	=	---		
37		01-291324-002	=	---		
38		00-323945-020	=	---		
39		01-518216-001	=	---		
40		00-227748-014	=	---		
41		01-243891-002	=	=		alternativ / alternative / alternative
42		01-245560-004	=	=		alternativ / alternative / alternative

07.2

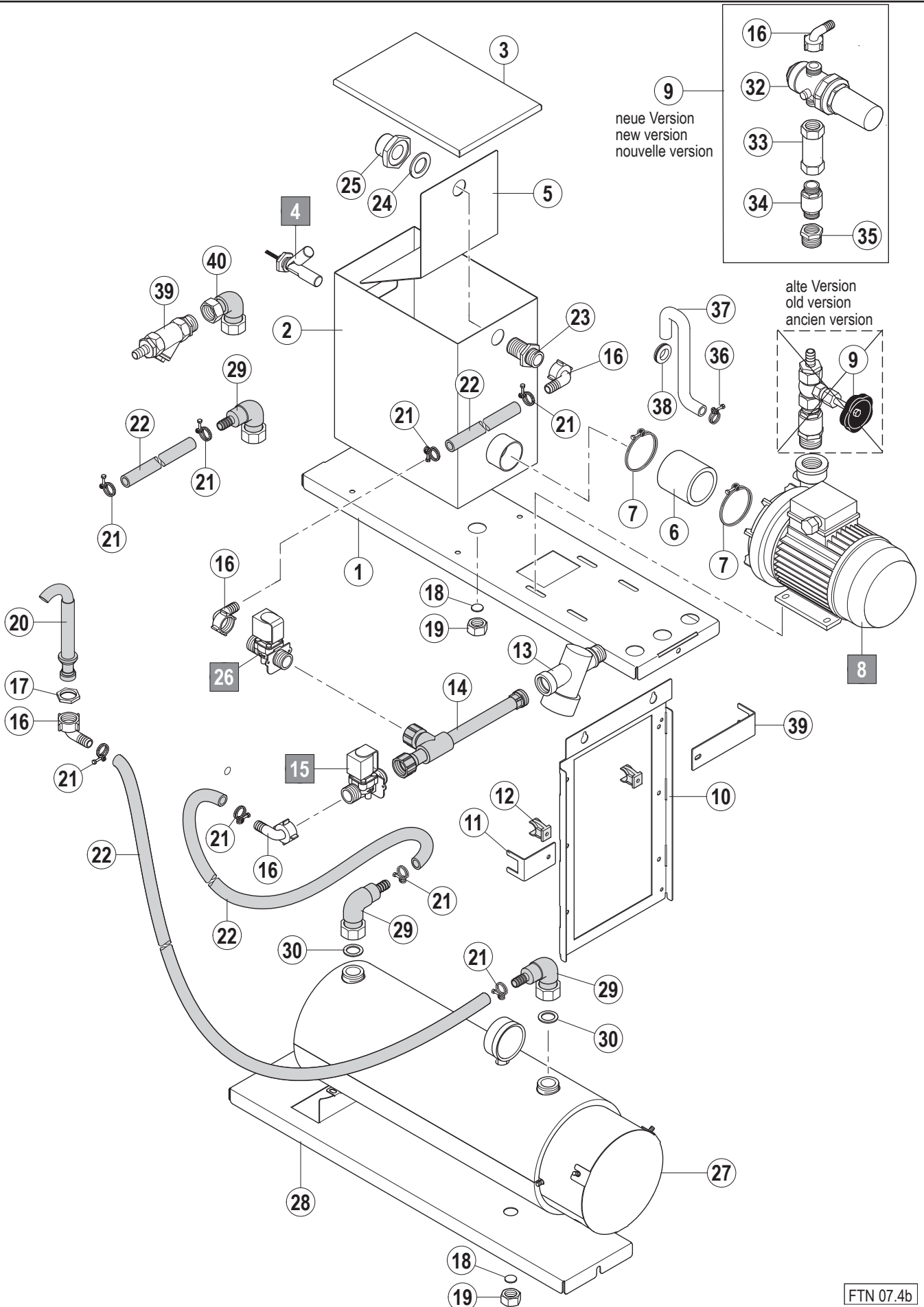
07.3



FTN 07.3a

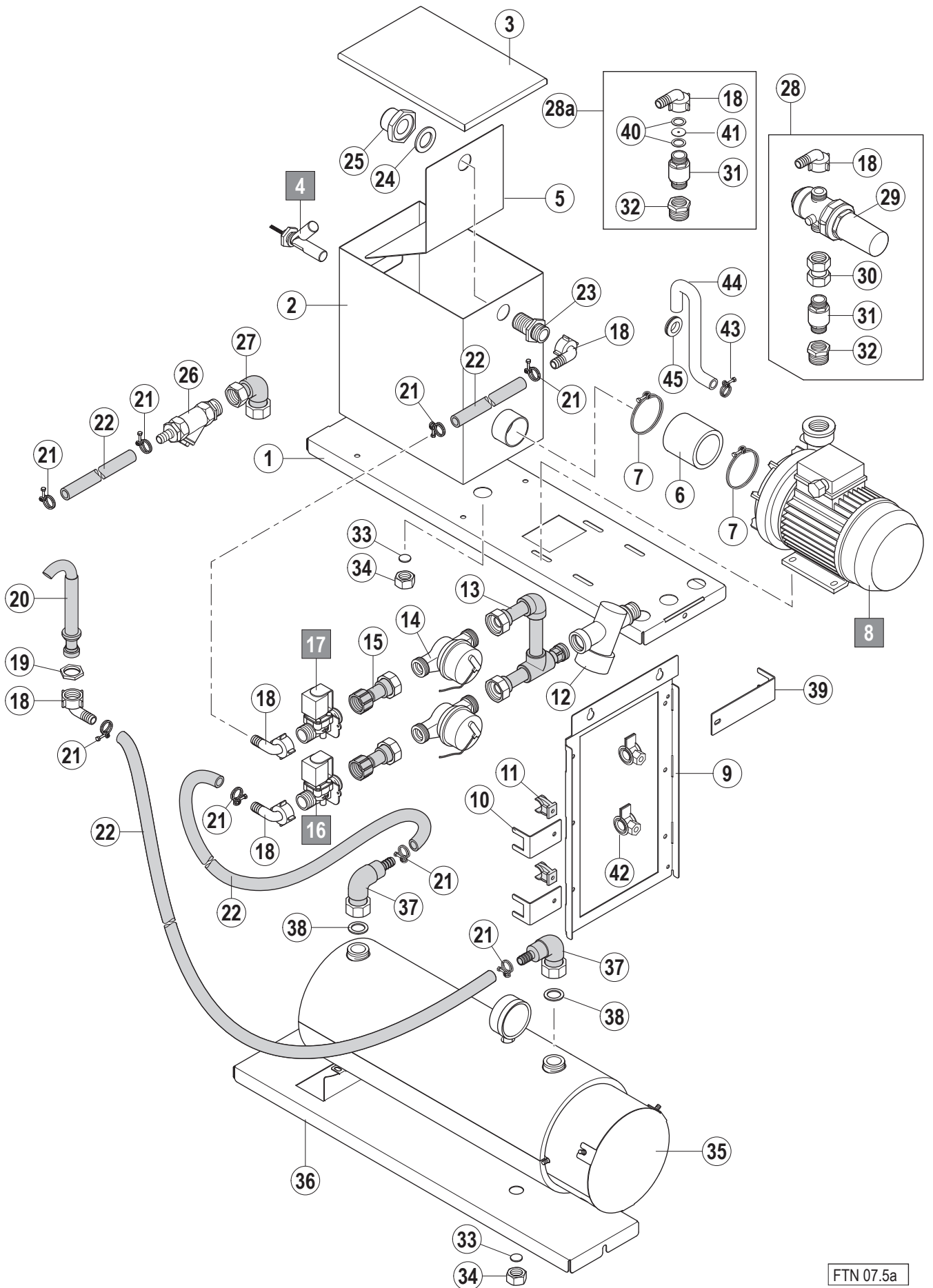
Pos.	A	B [mm]			C (D) [mm]	Bemerkung / Remarks / Remarques
		612	760	965		
01		01-245316-004	01-245316-005	---		
02		01-291153-001	=	---		
03		01-291152-001	=	---		
04		00-735171-002	=	---		
05		01-291323-001	=	---		
06		00-693255-003	=	---		
07		00-323945-072	=	---		
08		00-897662-...	=	---		siehe Schaltplan / see wiring diagram / voir schéma de câblage
09		01-291121-001	=	---		
10		01-291324-001	=	---		
11		00-228810-002	=	---		
12		00-774810-001	=	---		
13		01-291004-002	=	---		
14		01-244744-002	=	---		
15		01-291004-001	=	---		
16		00-297808-012	=	---		
17		00-297808-008	=	---		
18		00-299240-001	=	---		
19		00-172739-002	=	---		
20		00-693299-001	=	---		
21		00-323945-022	=	---		
22		01-245571-003	=	---		
23		01-245850-001	=	---		
24		00-172986-027	=	---		
25		00-774670-001	=	---		
26		01-243891-002	=	---		
27		01-245560-003	=	---		
28		01-241859-002	=	---		
28a		01-241859-004	01-241859-005	---		mit Sensotronic / with Sensotronic / avec Sensotronic
29		00-229110-002	=	---		
30		01-244417-001	=	---		
31		00-897668-001	=	---		
32		00-603076-000	=	---		
33		00-168611-022	=	---		
34		00-600588-000	=	---		
35		01-291324-002	=	---		
36		00-172986-034	=	---		
37		00-696936-075	00-696936-024	---		
38		00-897330-021	=	---		
39		00-323945-020	=	---		
40		01-518216-001	=	---		
41		00-227748-014	=	---		

07.4



FTN 07.4b

Pos.	A	B [mm]			C (D) [mm]	Bemerkung / Remarks / Remarques
		612	760	965		
01		01-245316-004	01-245316-005	---		
02		01-291153-001	=	---		
03		01-291152-001	=	---		
04		00-735171-002	=	---		
05		01-291323-001	=	---		
06		00-693255-003	=	---		
07		00-323945-072	=	---		
08		00-897662-...	=	---		siehe Schaltplan / see wiring diagram / voir schéma de câblage
09		01-241859-002	=	---		
10		01-291121-001	=	---		
11		01-291324-001	=	---		
12		00-228810-002	=	---		
13		00-774810-001	=	---		
14		01-291004-004	=	---		
15		00-297808-010	=	---		
16		00-299240-001	=	---		
17		00-172739-002	=	---		
18		00-168611-022	=	---		
19		00-600588-000	=	---		
20		00-693299-001	=	---		
21		00-323945-022	=	---		
22		01-245571-003	=	---		
23		01-245850-001	=	---		
24		00-172986-027	=	---		
25		00-774670-001	=	---		
26		00-297808-012	=	---		
27		01-245506-009	=	---		
28		01-245923-001	01-245923-002	---		
29		00-897694-001	=	---		
30		00-168611-003	=	---		
31		01-291324-002	=	---		
32		00-229110-002	=	---		
33		01-244417-001	=	---		
34		00-887668-001	=	---		
35		00-603076-000	=	---		
36		00-323945-018	=	---		
37		01-518216-001	=	---		
38		00-227748-014	=	---		
39		01-243891-002	=	---		alternativ / alternative / alternative
40		01-245560-003	=	---		alternativ / alternative / alternative

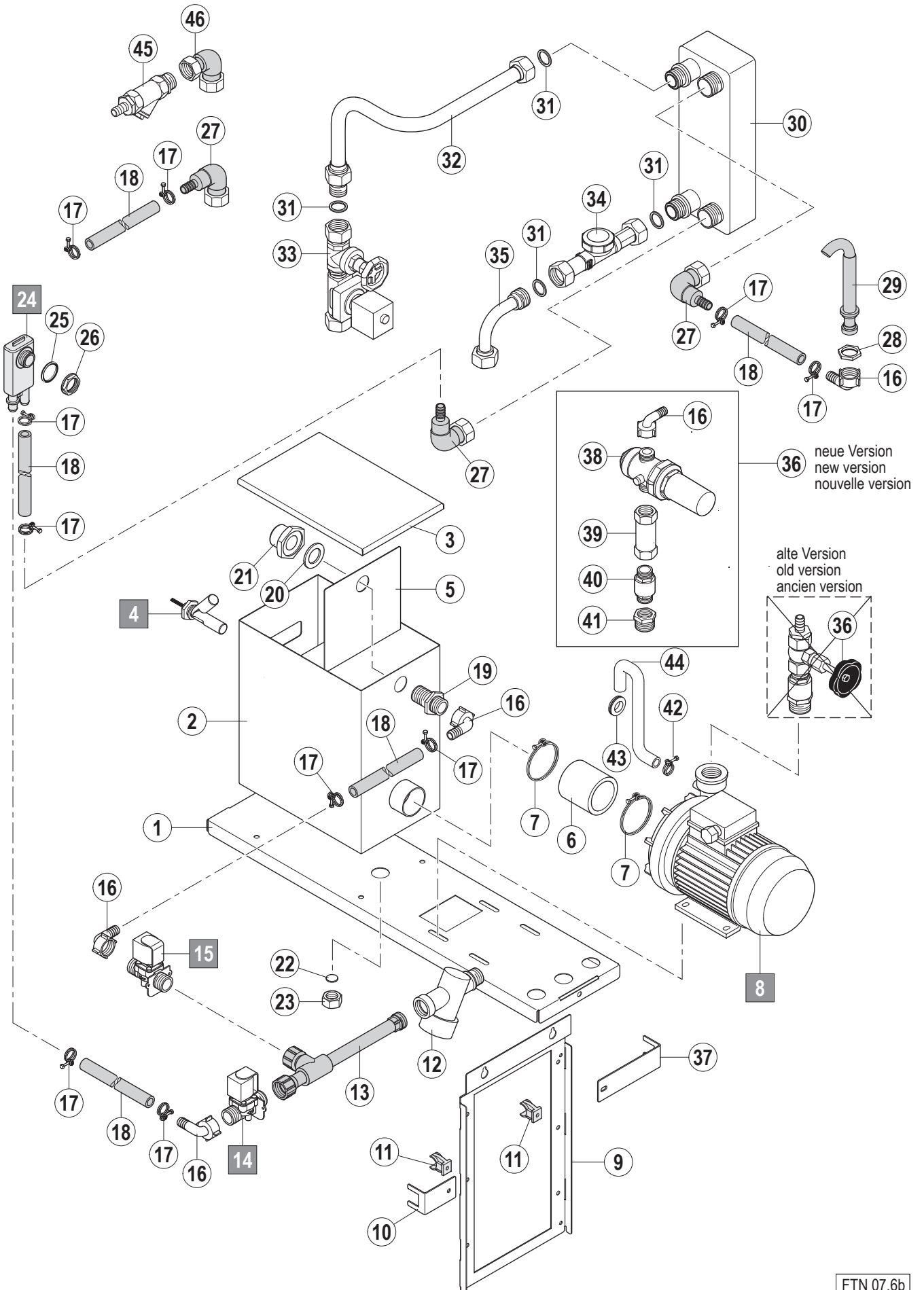


07.5

FTN 07.5a

Pos.	A	B [mm]			C (D) [mm]	Bemerkung / Remarks / Remarques
		612	760	965		
01		01-245316-004	01-245316-005	---		
02		01-291153-001	=	---		
03		01-291152-001	=	---		
04		00-735171-002	=	---		
05		01-291323-001	=	---		
06		00-693255-003	=	---		
07		00-323945-072	=	---		
08		00-897662-...	=	---		siehe Schaltplan / see wiring diagram / voir schéma de câblage
09		01-291121-001	=	---		
10		01-291324-001	=	---		
11		00-228810-002	=	---		
12		00-774810-001	=	---		
13		01-291848-001	=	---		
14		01-244744-002	=	---		
15		01-291004-001	=	---		
16		00-297808-010	=	---		
17		00-297808-008	=	---		
18		00-299240-001	=	---		
19		00-172739-002	=	---		
20		00-693299-001	=	---		
21		00-323945-022	=	---		
22		01-245571-003	=	---		
23		01-245850-001	=	---		
24		00-172986-027	=	---		
25		00-774670-001	=	---		
26		01-243891-002	=	---		
27		01-245560-003	=	---		
28		01-241859-002	=	---		
28a		01-241859-004	01-241859-005	---		mit Sensotronic / with Sensotronic / avec Sensotronic
29		00-229110-002	=	---		
30		01-244417-001	=	---		
31		00-897668-001	=	---		
32		00-603076-000	=	---		
33		00-168611-022	=	---		
34		00-600588-000	=	---		
35		01-245506-009	=	---		
36		01-245923-001	01-245923-002	---		
37		00-897694-001	=	---		
38		00-168611-003	=	---		
39		01-291324-002	=	---		
40		00-172986-034	=	---		
41		00-696936-075	00-696936-025	---		
42		00-897330-021	=	---		
43		00-323945-020	=	---		
44		01-518216-001	=	---		
45		00-227748-014	=	---		

07.6



FTN 07.6b



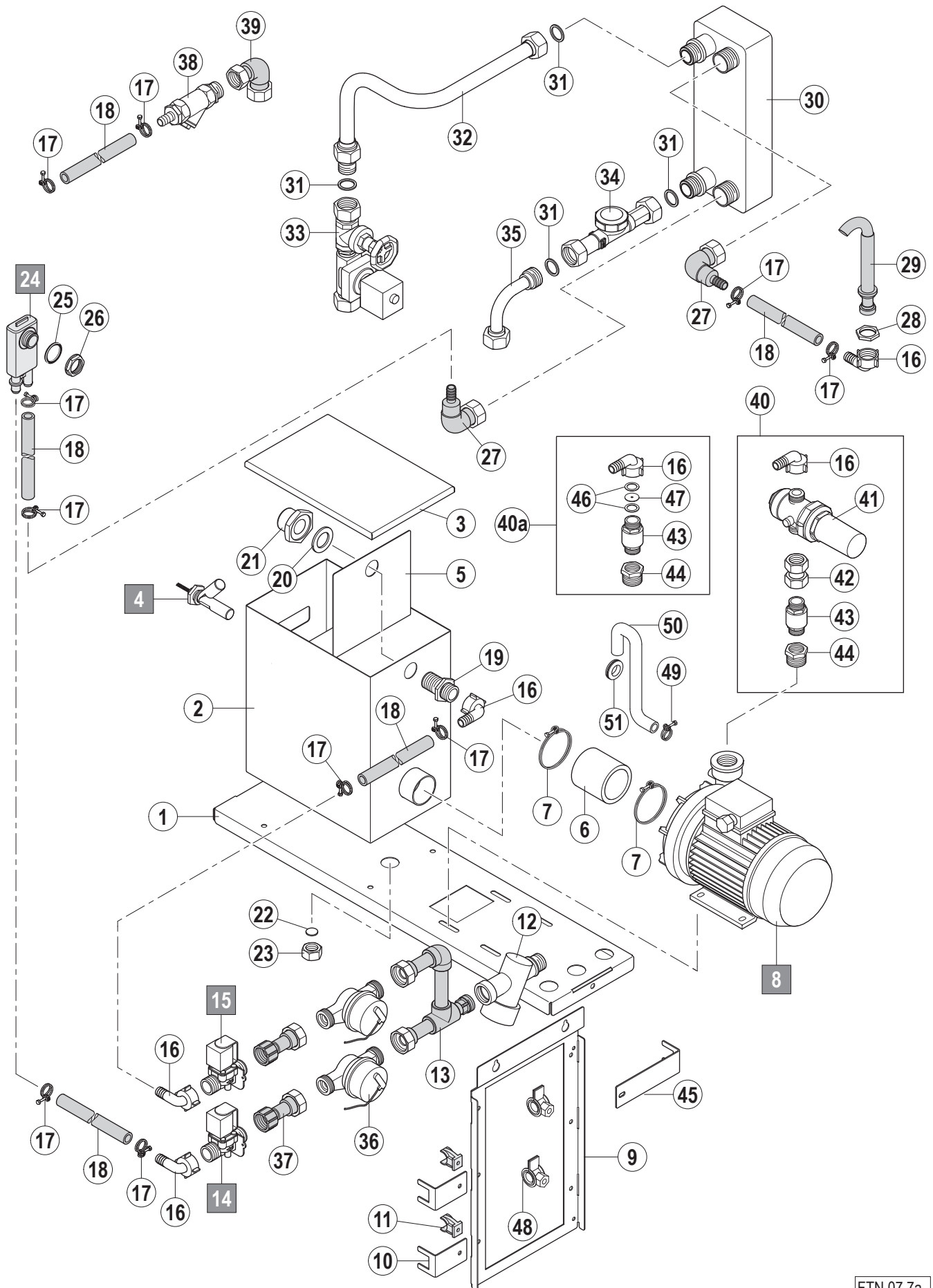
**A** Laufrichtung  
Working direction  
Sens de marche

**B** Bandbreite  
Conveyor width  
Largeur du convoyeur

**C** Durchlaufhöhe  
Usable height  
Hauteur de passage

**D** Länge  
Length  
Longueur

Pos.	A	B [mm]			C (D) [mm]	Bemerkung / Remarks / Remarques
		612	760	965		
01		01-245316-004	01-245316-005	---		
02		01-291153-001	=	---		
03		01-291152-001	=	---		
04		00-735171-002	=	---		
05		01-291323-001	=	---		
06		00-693255-003	=	---		
07		00-323945-072	=	---		
08		00-897662-...	=	---		siehe Schaltplan / see wiring diagram / voir schéma de câblage
09		01-291121-001	=	---		
10		01-291324-001	=	---		
11		00-228810-002	=	---		
12		00-774810-001	=	---		
13		01-291004-004	=	---		
14		00-297808-010	=	---		
15		00-297808-012	=	---		
16		00-299240-001	=	---		
17		00-323945-022	=	---		
18		01-245571-003	=	---		
19		01-245850-001	=	---		
20		00-172986-027	=	---		
21		00-774670-001	=	---		
22		00-168611-022	=	---		
23		00-600588-000	=	---		
24		00-775759-001	=	---		
25		00-775305-001	=	---		
26		00-324384-000	=	---		
27		00-897694-001	=	---		
28		00-172739-002	=	---		
29		00-693299-003	=	---		
30		01-245929-001	=	---		
31		00-302574-014	=	---		
32		01-245930-002	=	---		
33		01-245774-001	=	---		
34		01-245603-001	=	---		
35		01-245631-001	=	---		
36		01-241859-002	=	---		
37		01-291324-002	=	---		
38		00-229110-002	=	---		
39		01-244417-001	=	---		
40		00-897668-001	=	---		
41		00-603076-000	=	---		
42		00-323945-018	=	---		
43		01-518216-001	=	---		
44		00-227748-014	=	---		
45		01-243891-002	=	---		alternativ / alternative / alternative
46		01-245560-003	=	---		alternativ / alternative / alternative



07.7

Pos.	A	B [mm]			C (D) [mm]	Bemerkung / Remarks / Remarques
		612	760	965		
01		01-245316-004	01-245316-005	---		
02		01-291153-001	=	---		
03		01-291152-001	=	---		
04		00-735171-002	=	---		
05		01-291323-001	=	---		
06		00-693255-003	=	---		
07		00-323945-072	=	---		
08		00-897662-...	=	---		siehe Schaltplan / see wiring diagram / voir schéma de câblage
09		01-291121-001	=	---		
10		01-291324-001	=	---		
11		00-228810-002	=	---		
12		00-774810-001	=	---		
13		01-291848-001	=	---		
14		00-297808-010	=	---		
15		00-297808-008	=	---		
16		00-299240-001	=	---		
17		00-323945-022	=	---		
18		01-245571-003	=	---		
19		01-245850-001	=	---		
20		00-172986-027	=	---		
21		00-774670-001	=	---		
22		00-168611-022	=	---		
23		00-600588-000	=	---		
24		00-775759-001	=	---		
25		00-775305-001	=	---		
26		00-324384-000	=	---		
27		01-245560-001	=	---		
28		00-172739-002	=	---		
29		00-693299-003	=	---		
30		01-245929-001	=	---		
31		00-302574-014	=	---		
32		01-245930-002	=	---		
33		01-245774-001	=	---		
34		01-245603-001	=	---		
35		01-245631-001	=	---		
36		01-244744-002	=	---		
37		01-291004-001	=	---		
38		01-243891-002	=	---		
39		01-245560-003	=	---		
40		01-241859-002	=	---		
40a		01-241859-004	01-241859-005	---		mit Sensotronic / with Sensotronic / avec Sensotronic
41		00-229110-002	=	---		
42		01-244417-001	=	---		
43		00-897668-001	=	---		
44		00-603076-000	=	---		
45		01-291324-002	=	---		
46		00-172986-024	=	---		
47		00-696936-075	00-696936-024	---		
48		00-897330-021	=	---		
49		00-323945-018	=	---		



**A** Laufrichtung  
Working direction  
Sens de marche

**B** Bandbreite  
Conveyor width  
Largeur du convoyeur

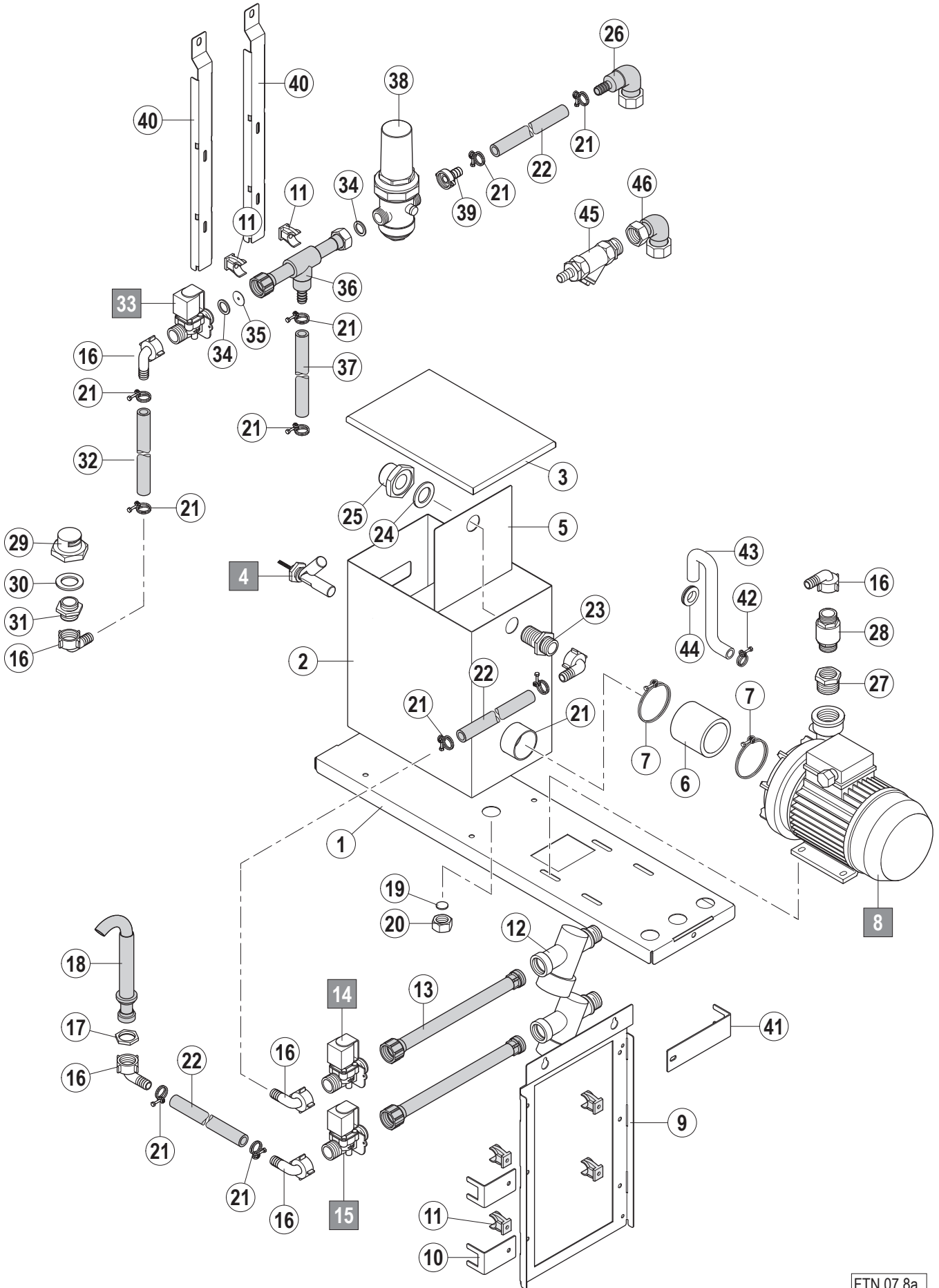
**C** Durchlaufhöhe  
Usable height  
Hauteur de passage

**D** Länge  
Length  
Longueur

Pos.	A	B [mm]			C (D) [mm]	Bemerkung / Remarks / Remarques
		612	760	965		
50		01-518216-001	=	---		
51		00-227748-014	=	---		

07.7





07.8



**A** Laufrichtung  
Working direction  
Sens de marche

**B** Bandbreite  
Conveyor width  
Largeur du convoyeur

**C** Durchlaufhöhe  
Usable height  
Hauteur de passage

**D** Länge  
Length  
Longueur

Pos.	A	B [mm]			C (D) [mm]	Bemerkung / Remarks / Remarques
		612	760	965		
01		01-245316-004	01-245316-005	---		
02		01-291153-001	=	---		
03		01-291152-001	=	---		
04		00-735171-002	=	---		
05		01-291323-001	=	---		
06		00-693255-003	=	---		
07		00-323945-072	=	---		
08		00-897662-...	=	---		siehe Schaltplan / see wiring diagram / voir schéma de câblage
09		01-291121-001	=	---		
10		01-291324-001	=	---		
11		00-228810-002	=	---		
12		00-774810-001	=	---		
13		01-291004-003	=	---		
14		00-297808-012	=	---		
15		00-297808-012	=	---		
16		00-299240-001	=	---		
17		00-172739-002	=	---		
18		00-693299-001	=	---		
19		00-168611-022	=	---		
20		00-600588-000	=	---		
21		00-323945-022	=	---		
22		01-245571-003	=	---		
23		01-245850-001	=	---		
24		00-172986-027	=	---		
25		00-774670-001	=	---		
26		00-897694-001	=	---		
27		00-603076-000	=	---		
28		00-897668-001	=	---		
29		00-774670-001	=	---		
30		00-172986-027	=	---		
31		00-227931-000	=	---		
32		01-245571-012	=	---		
33		00-297808-001	=	---		
34		00-168611-009	=	---		
35		00-696936-064	=	---		
36		01-291283-001	=	---		
37		01-245571-004	=	---		
38		00-229110-002	=	---		
39		00-302201-001	=	---		
40		01-291002-001	=	---		
41		01-291324-002	=	---		
42		00-323945-018	=	---		
43		01-518216-001	=	---		
44		00-227748-014	=	---		
45		01-243891-002	=	---		alternativ / alternative / alternative
46		01-245560-003	=	---		alternativ / alternative / alternative

07.8

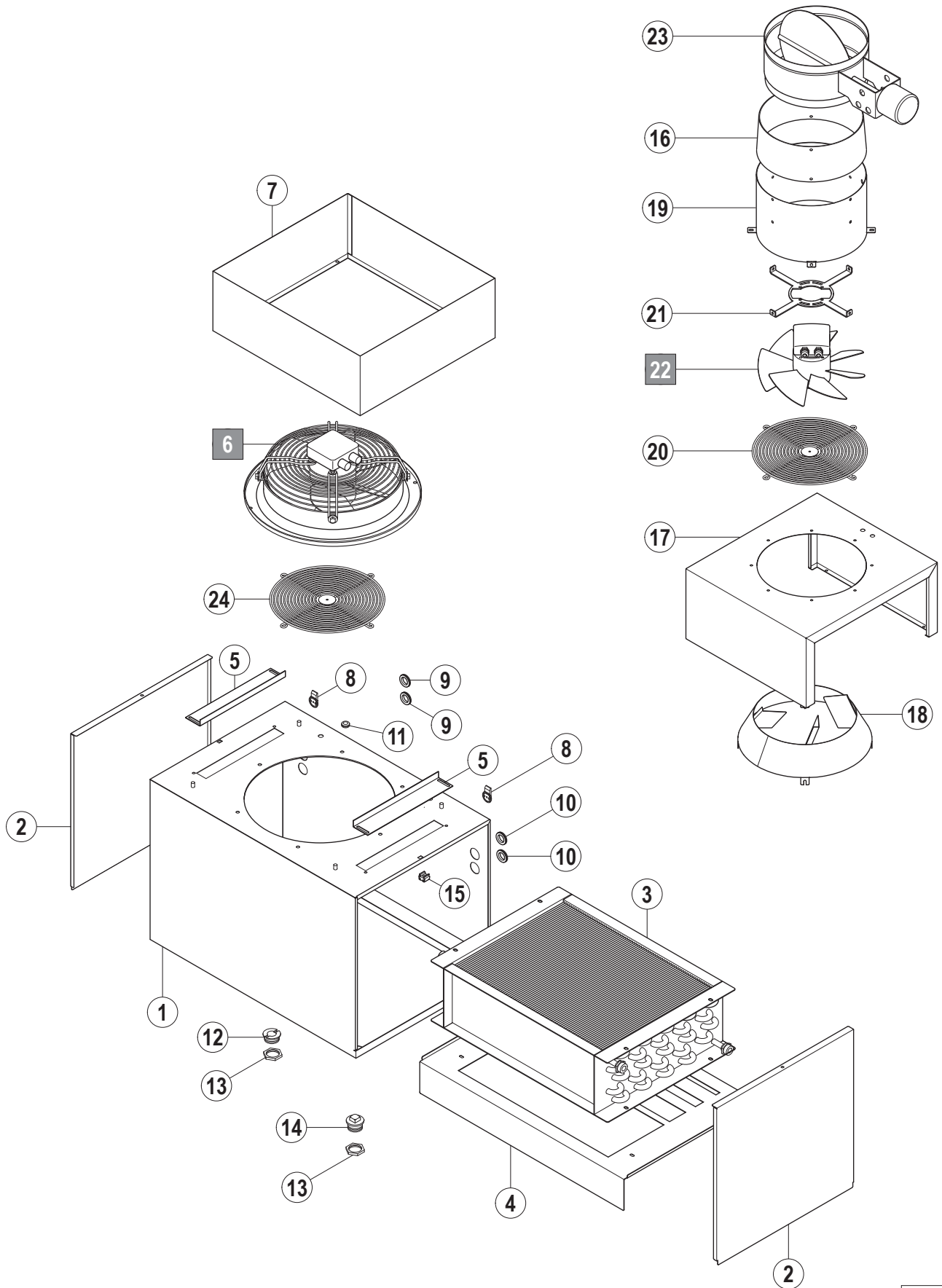
**FTN / FTP**

**Wärmerückgewinnung**

**Heat recovery**

**Récupération de la chaleur**

08.1



FTN 08.1a



**A** Laufrichtung  
Working direction  
Sens de marche

**B** Bandbreite  
Conveyor width  
Largeur du convoyeur

**C** Durchlaufhöhe  
Usable height  
Hauteur de passage

**D** Länge  
Length  
Longueur

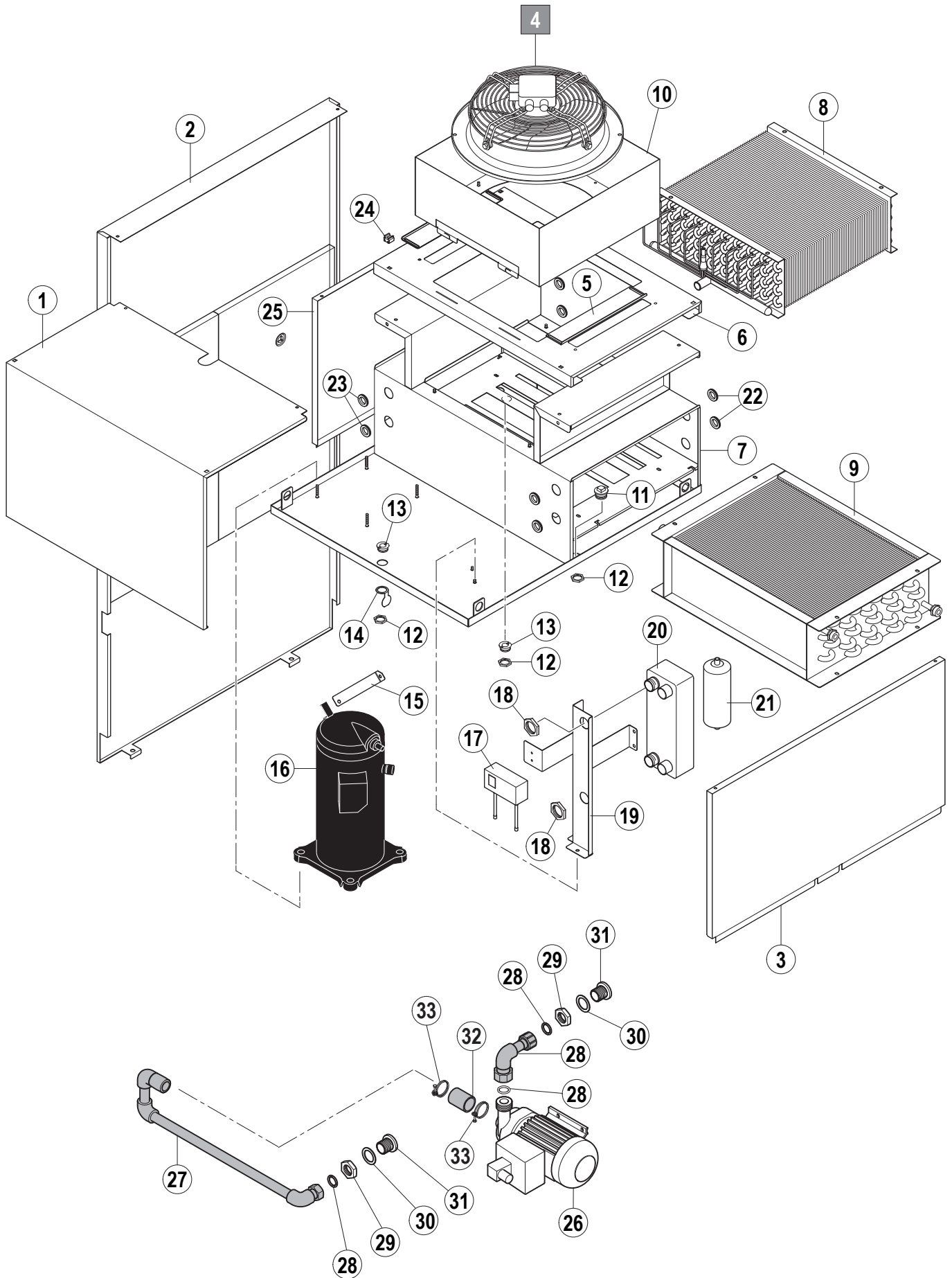
Pos.	A	B [mm]			C (D) [mm]	Bemerkung / Remarks / Remarques
		612	760	965		
01		01-245205-001	01-245205-002	01-245205-003		
02		01-245206-001	=	=		
03		01-245490-001	01-245490-002	01-245490-003		Standard
		01-245490-004	01-245490-005	01-245490-006		CrNi / SST / inox
04		01-245274-001	01-245274-002	01-245274-003		
05		01-245550-001	=	=		
06		00-325611-001	00-325871-001	00-325871-001		
07		01-245744-001	=	=		
08		00-325037-001	=	=		
09		00-785565-004	=	=		
10		00-227748-004	=	=		
11		00-227748-001	=	=		
12		01-245539-001	=	=		
13		00-172739-002	=	=		
14		00-630412-000	=	=		
15		00-774336-002	=	=		
16		01-245752-001	=	=		
17		01-245745-001	=	=		
18		00-325806-001	00-325806-002	=		
19		01-245746-001	=	=		
20		00-896396-001	=	=		
21		01-245747-001	=	=		
22		00-775078-001	=	=		
23		00-296927-001	=	=		
24		00-896390-001	=	=		

08.1

08.1

---

**FTN / FTP**  
**Wärmepumpe**  
**Heat pump**  
**Pompe à chaleur**

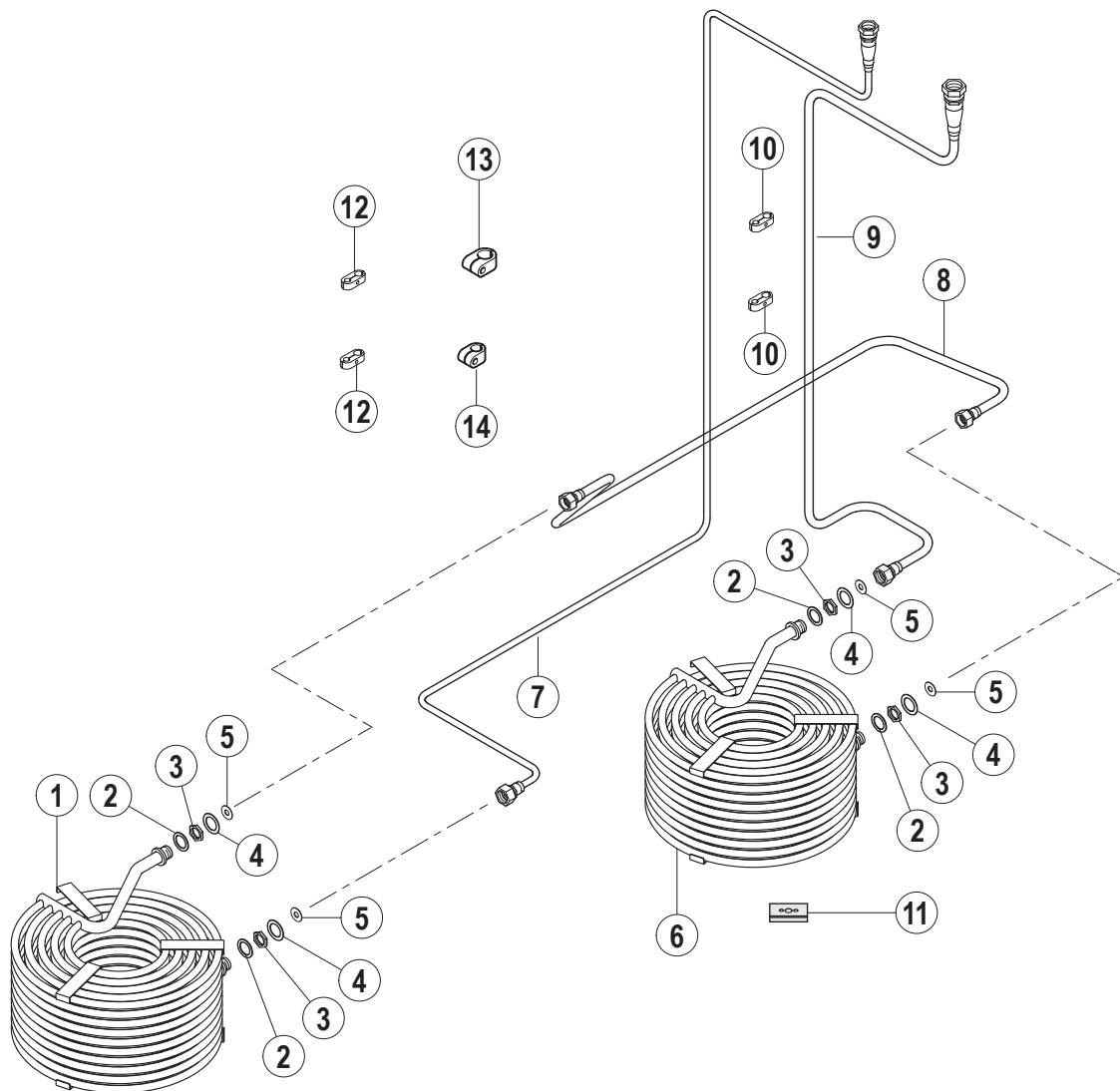


09.1

Pos.	A	B [mm]			C (D) [mm]	Bemerkung / Remarks / Remarques
		612	760	965		
01		01-245552-001		---		
02	L/R	01-245709-001	=	---	400	
	L/R	01-245709-003	=	---	560	
	R/L	01-245709-002	=	---	400	
	R/L	01-245709-004	=	---	560	
03		01-245548-001	=	---		
04		00-325611-001	=	---		
05		01-245550-001	=	---		
06		01-245589-001	01-245589-002	---		
07		01-245542-001		---		FHP18
		01-245542-002	01-245542-003	---		FHP; FHP20
08		00-887639-001	=	---		FHP18
		00-887639-002	00-887639-003	---		FHP; FHP20
09		01-245490-001	01-245490-002	---		Standard
		01-245490-004	01-245490-005	---		CrNi / SST / inox
10		01-291071-001	01-291071-002	---		
11		00-603412-000	=	---		
12		00-172739-002	=	---		
13		01-245539-001	=	---		
14		00-883271-001	=	---		
15		01-245722-001	=	---		
16		00-323437-002	=	---		FHP18
		00-323437-003	=	---		FHP; FHP20
17		01-296704-001	=	---		
18		00-172739-008	=	---		
19		01-245549-001	=	---		
20		00-323 456-007	=	---		PREMAX
		00-323 456-009	=	---		PROFI
21		00-323443-000	=	---		
22		00-227748-004	=	---		
23		00-785565-004	=	---		
24		00-774336-002	=	---		
25		01-245729-001	=	---		
26		00-781237-015	=	---		
27		01-291292-001	=	---		
28		00-067500-072	=	---		
29		00-603061-000	=	---		
30		00-300084-007	=	---		
31		00-774953-001	=	---		
32		00-325757-001	=	---		
33		00-323945-040	=	---		

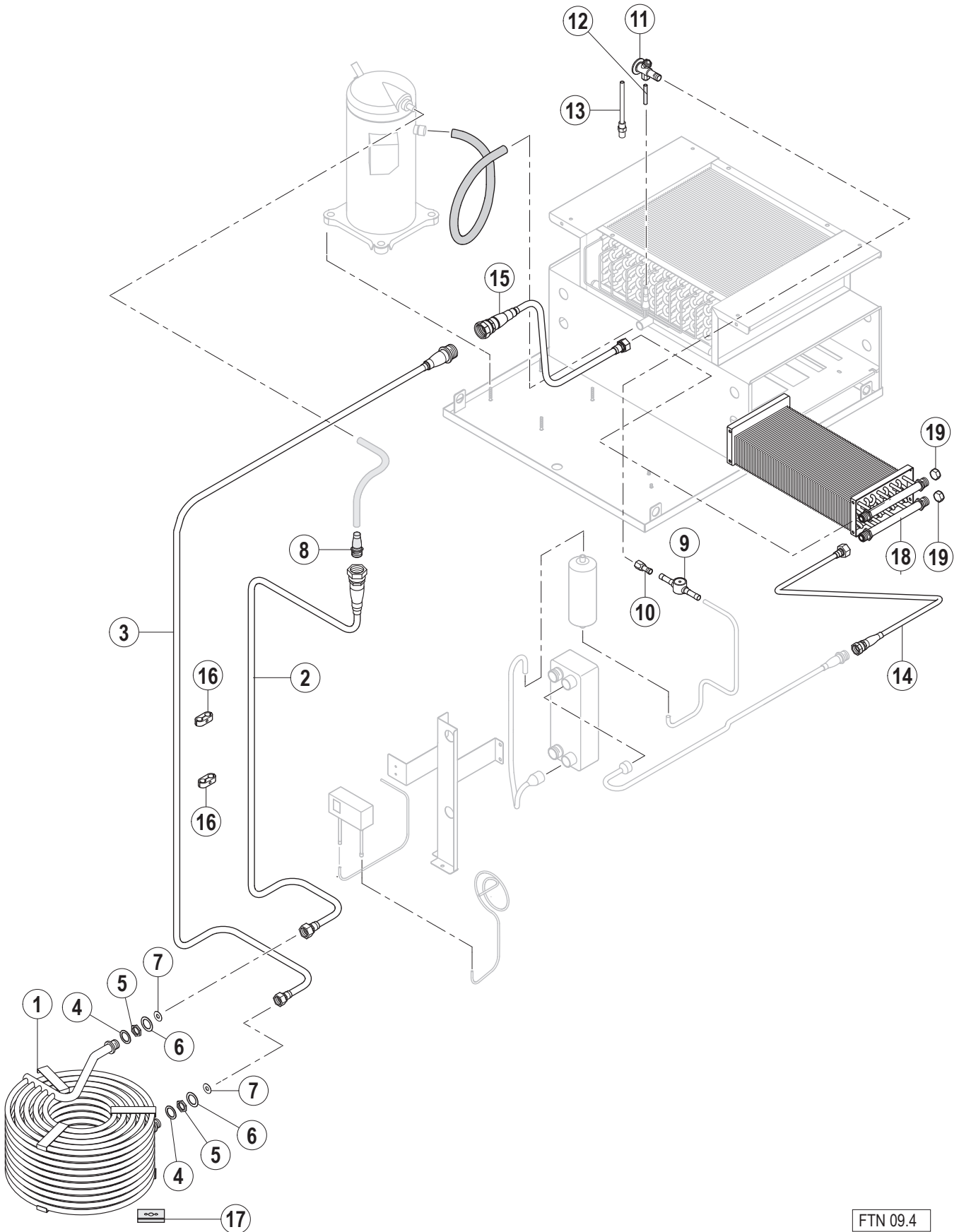


Pos.	A	B [mm]			C (D) [mm]	Bemerkung / Remarks / Remarques
		612	760	965		
01		01-245668-002	=	---		
02	L/R	01-245680-001	01-245680-005	---	400	
	L/R	01-245680-003	01-245680-007	---	560	
	R/L	01-245680-002	01-245680-006	---	400	
	R/L	01-245680-004	01-245680-008	---	560	
03	L/R	01-245681-001	01-245681-005	---	400	
	L/R	01-245681-003	01-245681-007	---	560	
	R/L	01-245681-002	01-245681-006	---	400	
	R/L	01-245681-004	01-245681-008	---	560	
04		00-696936-018	=	---		
05		00-172739-013	=	---		
06		00-300084-007	=	---		
07		00-229034-001	=	---		
08		00-896909-001	=	---		
09		00-775080-001	=	---		
10		00-323444-000	=	---		
11		00-323439-002	=	---		
12		00-775082-001	=	---		
13		00-323439-004	=	---		FHP18
		00-323439-006	=	---		FHP; FHP20
14		00-323447-000	=	---		
15		01-291260-001	=	---		
16		00-897282-001	=	---		
17		00-897285-001	=	---		
18		01-291541-001	=	---		
19		01-291541-002	=	---		



09.3

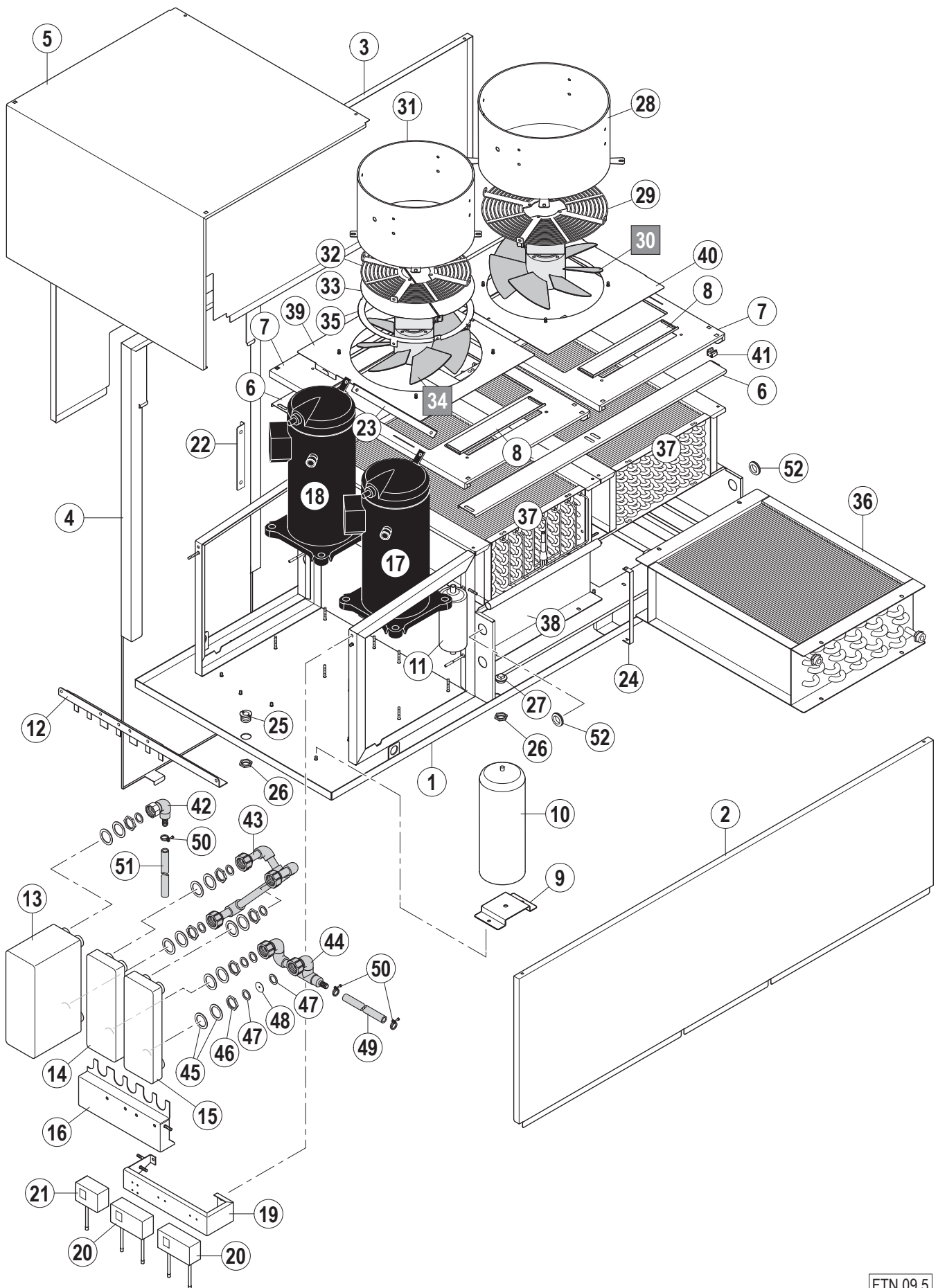
Pos.	A	B [mm]			C (D) [mm]	Bemerkung / Remarks / Remarques
		612	760	965		
01		01-245668-001	=	---		
02		00-696936-018	=	---		
03		00-172739-013	=	---		
04		00-300084-007	=	---		
05		00-229034-001	=	---		
06		01-245668-002	=	---		
07	L/R	01-291981-001	01-291981-002	---	400	
	L/R	01-291981-003	01-291981-004	---	560	
	R/L	01-245680-013	01-245680-014	--	400	
	R/L	01-245680-019	01-245680-020	---	560	
08	L/R	01-291271-001	=	---		
	R/L	01-291271-002	=	---		
09	L/R	01-245681-001	01-245681-005	---	400	
	L/R	01-245681-003	01-245681-007	---	560	
	R/L	01-245681-002	01-245681-006	---	400	
	R/L	01-245681-004	01-245681-008	---	560	
10		00-897282-001	=	---		
11		01-291260-001	=	---		
12		00-897285-001	=	---		
13		01-291541-001	=	---		
14		01-291541-002	=	---		



09.4

FTN 09.4

Pos.	A	B [mm]			C (D) [mm]	Bemerkung / Remarks / Remarques
		612	760	965		
01		01-245668-002	=	---		
02	L/R	01-245681-001	01-245681-005	---	400	
	L/R	01-245681-003	01-245681-007	---	560	
	R/L	01-245681-002	01-245681-006	---	400	
	R/L	01-245681-004	01-245681-008	---	560	
03	L/R	01-291533-001	=	---	400	
	L/R	01-291533-002	=	---	560	
	R/L	01-291533-003	=	---	400	
	R/L	01-291533-004	=	---	560	
04		00-696936-018	=	---		
05		00-172739-013	=	---		
06		00-300084-007	=	---		
07		00-229034-001	=	---		
08		00-896909-001	=	---		
09		00-323444-000	=	---		
10		00-323439-002	=	---		
11		00-775082-001	=	---		
12		00-323439-004	=	---		
13		00-323447-000	=	---		
14		01-291531-001	=	---		
15		00-775080-001	=	---		
16		00-897282-002	=	---		
17		01-291260-001	=	---		
18		01-291008-001	=	---		
19		01-296222-001	=	---		

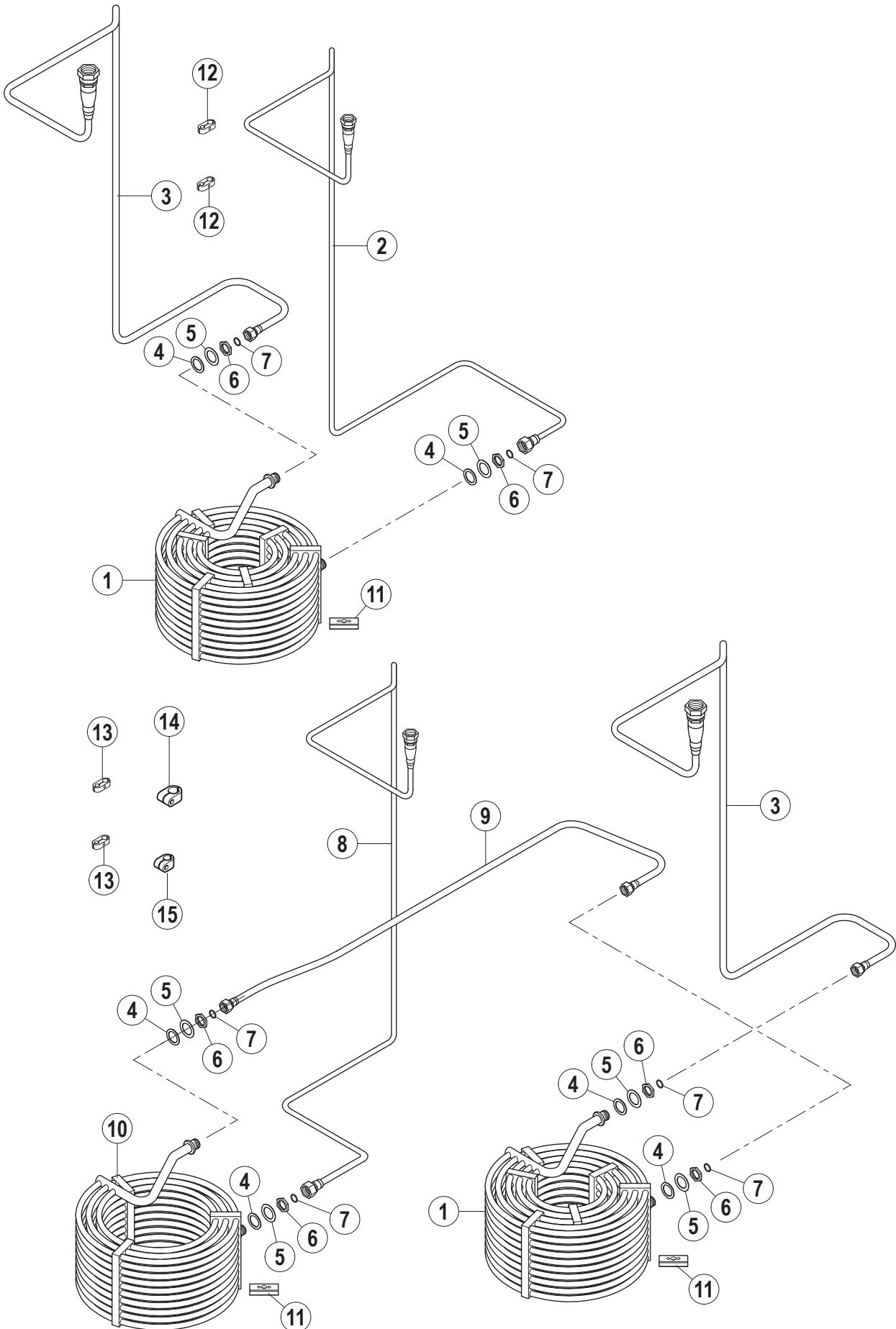


09.5

Pos.	A	B [mm]			C (D) [mm]	Bemerkung / Remarks / Remarques
		612	760	965		
01		01-245588-001	01-245588-002	01-245588-003		
02		01-245614-001	=	=		
03	L/R	01-245616-001	=	=		
	R/L	01-245617-001	=	=		
04		01-245553-001	=	=	400	
		01-245553-002	=	=	560	
05		01-245613-001	=	=		
06		01-245612-001	=	=		
07		01-245661-001	01-245661-002	01-245661-003		
08		01-245550-001	=	=		
09		00-325750-001	=	=		
10		00-775076-001	=	=		
11		00-323443-000	=	=		
12		01-291238-001	=	=		
13		00-323456-003	=	=		
14		00-323456-001	00-323456-002	00-323456-002		
15		00-323456-001	=	=		
16		01-291242-001	=	=		
17		00-323437-001	00-323437-002	00-323437-002		
18		00-323437-002	00-323437-003	00-323437-003		
19		01-291239-001	=	=		
20		01-296704-001	=	=		
21		01-296703-001	=	=		
22		00-325966-005	=	=		
23		00-325966-004	=	=		
24		01-291251-001	=	=		
25		01-245539-001	=	=		
26		00-172739-002	=	=		
27		00-603412-000	=	=		
28		00-325799-001	=	=		
29		00-325857-001	=	=		
30		00-775079-001	=	=		
31		00-325798-001	=	=		
32		00-325803-001	=	=		
33		00-325960-001	=	=		
34		00-775078-001	=	=		
35		00-325768-001	=	=		
36		01-245490-001	01-245490-002	01-245490-003		Standard
		01-245490-004	01-245490-005	01-245490-006		CrNi / SST / inox
37		00-774858-000	00-774858-002	00-774858-003		
38		01-291296-001	01-291296-002	01-291296-003		
39		01-245665-001	=	=		
40		01-245665-002	=	=		
41		00-774336-002	=	=		
42		00-897694-001	=	=		
43		00-896979-001	=	=		
44		00-897696-001	=	=		
45		00-696936-019	=	=		
46		00-172739-008	=	=		
47		00-172986-003	=	=		







09.6

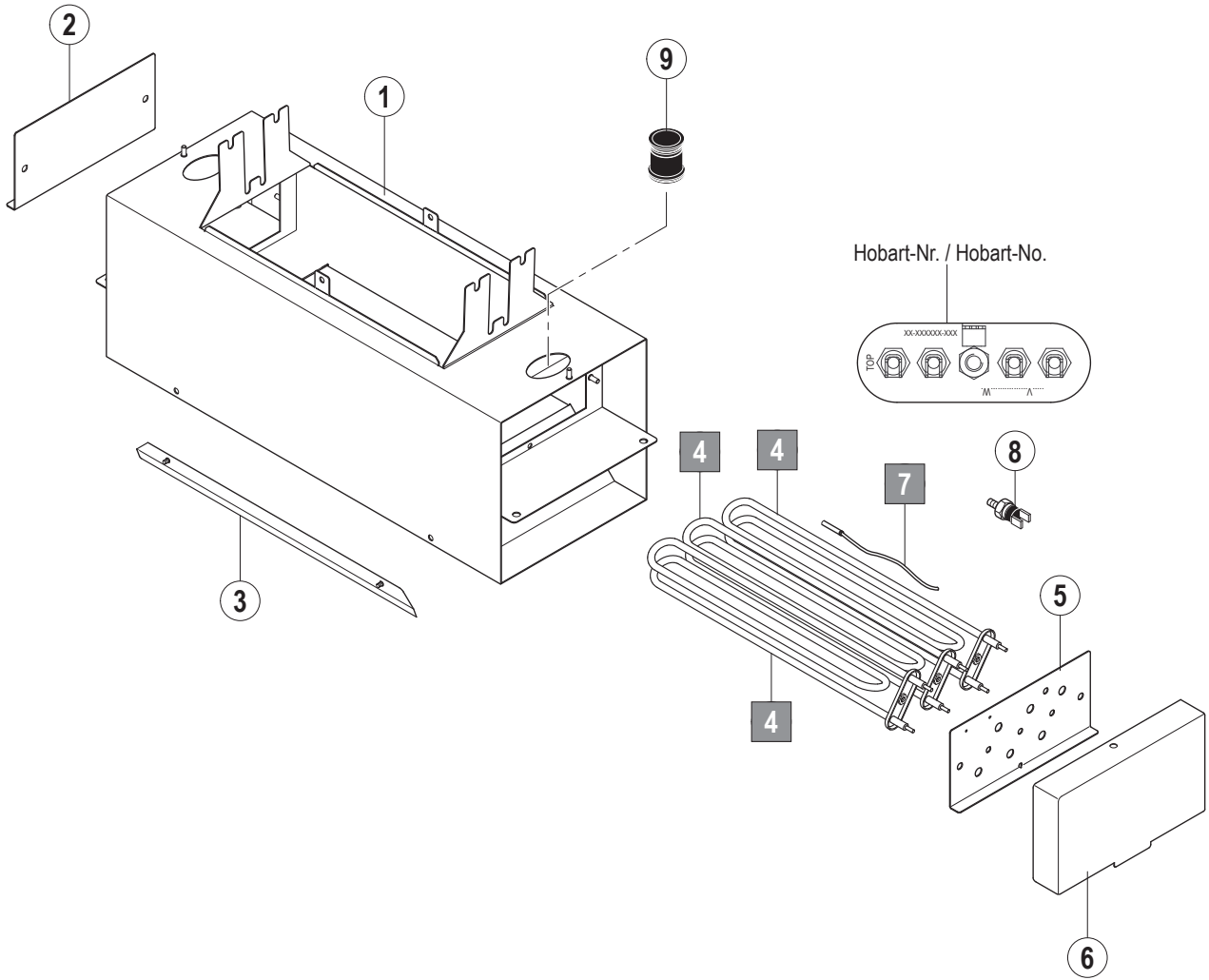
Pos.	A	B [mm]			C (D) [mm]	Bemerkung / Remarks / Remarques
		612	760	965		
01		01-245668-002	=	=		
02	L/R	01-245718-001	01-245718-003	01-245718-005	400	
	L/R	01-245718-002	01-245718-004	01-245718-006	560	
	R/L	01-245725-001	01-245725-003	01-245725-005	400	
	R/L	01-245725-002	01-245725-004	01-245725-006	560	
03	L/R	01-245719-001	01-245719-003	01-245719-005	400	
	L/R	01-245719-002	01-245719-004	01-245719-006	560	
	R/L	01-245726-001	01-245726-003	01-245726-005	400	
	R/L	01-245726-002	01-245726-004	01-245726-006	560	
04		00-300084-007	=	=		
05		00-696936-018	=	=		
06		00-172739-013	=	=		
07		00-229034-001	=	=		
08	L/R	01-291270-001	01-291270-003	01-291270-005	400	
	L/R	01-291270-002	01-291270-004	01-291270-006	560	
	R/L	01-291272-001	01-291272-003	01-291272-005	400	
	R/L	01-291272-002	01-291272-004	01-291272-006	560	
09	L/R	01-291271-001	=	=		
	R/L	01-291271-002	=	=		
10		01-245668-001	=	=		
11		01-291260-001	=	=		
12		00-897282-001	=	---		
13		00-897285-001	=	---		
14		01-291541-001	=	---		
15		01-291541-002	=	---		

09.6

**FTN / FTP****Trocknung (DL/DS)****Drier (DL/DS)****Séchage (DL/DS)**

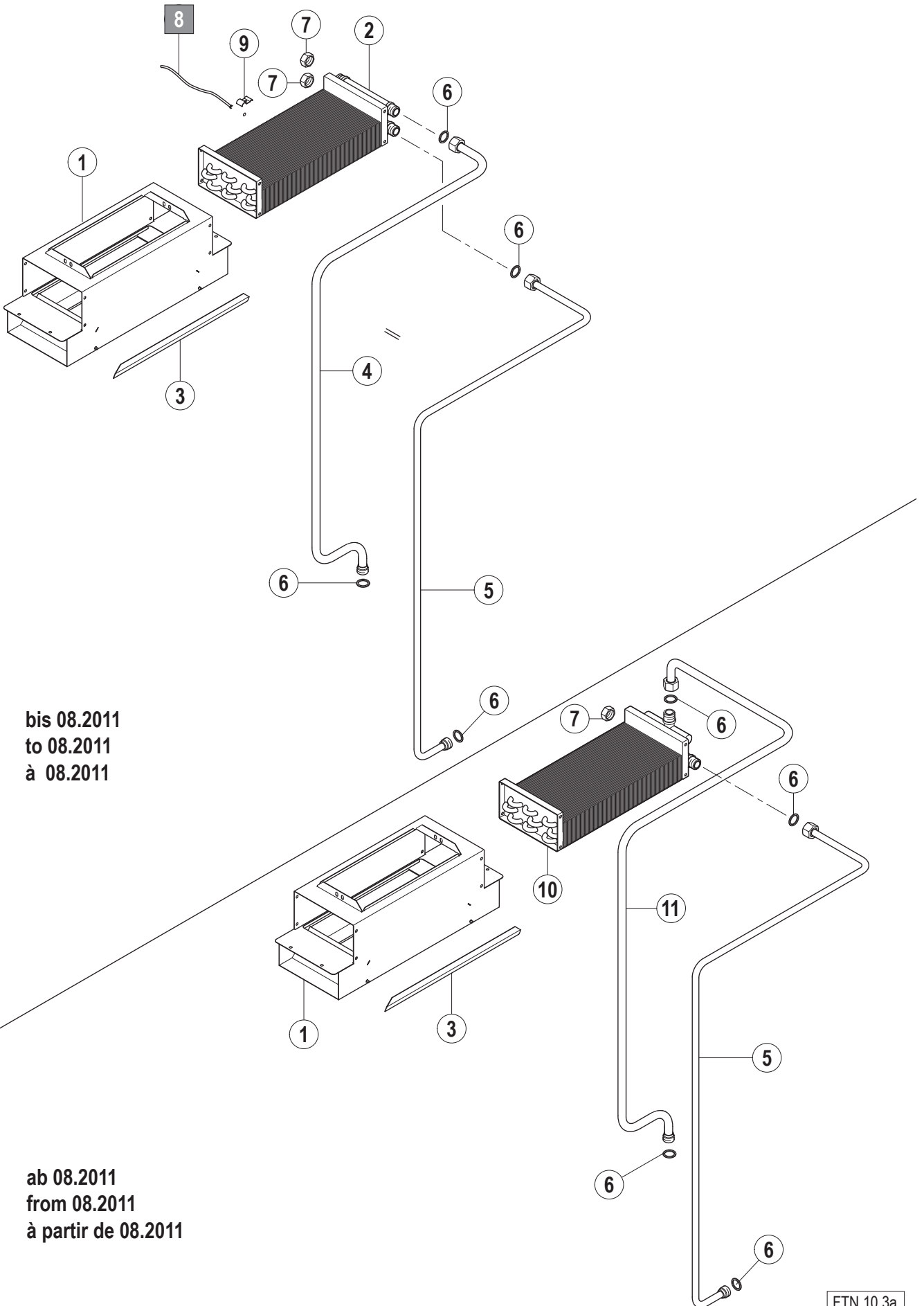


Pos.	A	B [mm]			C (D) [mm]	Bemerkung / Remarks / Remarques
		612	760	965		
01		01-245222-002	01-245222-006	01-245222-010	400 (500)	DL
		01-245222-004	01-245222-008	01-245222-012	560 (500)	DL
		01-245222-001	01-245222-005	01-245222-009	400 (800)	DS
		01-245222-003	01-245222-007	01-245222-011	560 (800)	DS
02		00-868902-001	00-868903-001	00-868902-001		
03		01-245321-001	01-245321-002	01-245321-003		
04		01-245232-002	01-245232-005	01-245232-008	(500)	DL
		01-245232-001	01-245232-004	01-245232-007	(800)	DS
05		00-774336-002	=	=		
06		01-291095-002	=	=	400 (500)	DL
		01-291095-001	=	=	400 (800)	DS
		01-291095-004	=	=	560 (500)	DL
		01-291095-003	=	=	560 (800)	DS
		01-245950-002	=	=	400 (500)	DL ISO
		01-245950-001	=	=	400 (800)	DS ISO
		01-245950-004	=	=	560 (500)	DL ISO
		01-245950-003	=	=	560 (800)	DS ISO
07		01-245496-001	01-245496-003	01-245496-005		
08		01-245495-001	01-245495-002	01-245495-003		
09		01-245239-001	01-245239-002	01-245239-003		
10		01-245216-001	=	=	400	nur bis Seriennummer 8655 0340 / only to serial no. 8655 0340 / seulement jusqu'à no. de série 8655 0340
		01-245216-002	=	=	560	nur bis Seriennummer 8655 0340 / only to serial no. 8655 0340 / seulement jusqu'à no. de série 8655 0340
11		01-245245-001	=	=		
12		01-245224-001	01-245224-002	01-245224-003		
13		01-245223-002	01-245223-004	01-245223-006	(500)	DL
		01-245223-001	01-245223-003	01-245223-005	(800)	DS
14		01-245879-001	01-245879-002	01-245879-003		
15		01-245243-002	01-245243-004	01-245243-006	(500)	DL
		01-245243-001	01-245243-003	01-245243-005	(800)	DS
16		01-291273-001	01-291273-002	01-291273-003		
17		01-291274-001	01-291274-002	01-291274-003		
18		01-297145-002	01-297145-004	01-297145-006		DL
		01-297145-001	01-297145-003	01-297145-005		DS
19		01-297153-001	01-297153-002	01-297153-003		
20		01-297147-001	01-297147-002	01-297147-003		
21		01-296793-001	=	=		



10.2

Pos.	A	B [mm]			C (D) [mm]	Bemerkung / Remarks / Remarques
		612	760	965		
01		01-245210-001	01-245758-001	01-245758-002		3 Düsen / 3 nozzles / 3 buses
		01-297101-001	01-297101-002	01-297101-003		2 Düsen / 2 nozzles / 2 buses
02		01-245214-002	=	=		
03		01-245557-001	01-245557-002	01-245557-003		
04		00-229189-...	00-325551-...	00-230475-...		Nr. siehe Flansch / no. see flange / no. voir bride
05		01-245554-001	=	=		
06		01-245217-001	=	=		
07		00-775612-003	=	=		
08		00-227743-003	=	=		
09		00-325186-001	=	=		

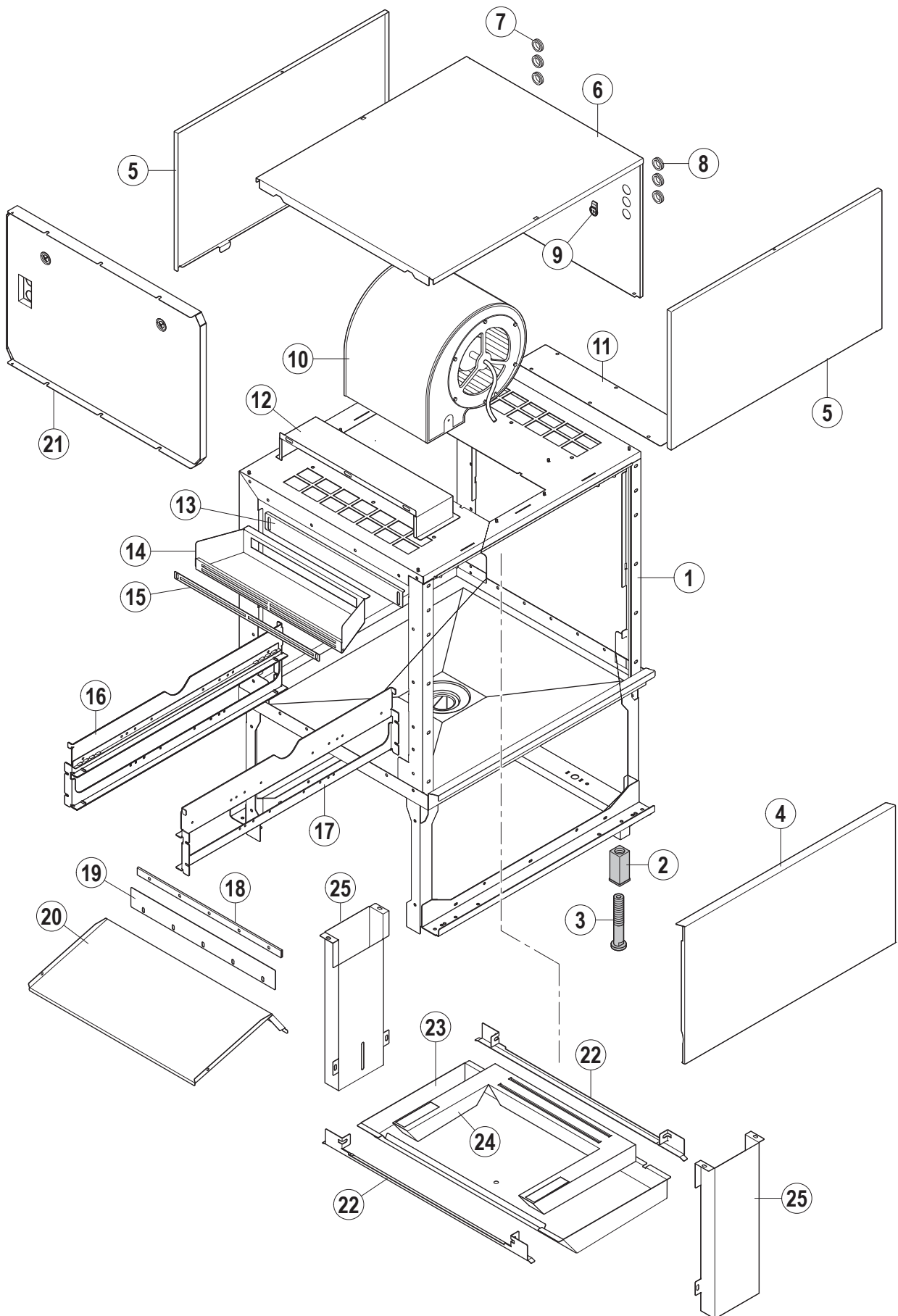


bis 08.2011  
 to 08.2011  
 à 08.2011

10.3

ab 08.2011  
 from 08.2011  
 à partir de 08.2011

Pos.	A	B [mm]			C (D) [mm]	Bemerkung / Remarks / Remarques
		612	760	965		
01		01-245606-001	01-245606-002	01-245606-003		3 Düsen / 3 nozzles / 3 buses
		01-297184-001	01-297184-002	01-297184-003		2 Düsen / 2 nozzles / 2 buses
02		01-245563-001	01-245563-002	01-245563-003		Standard
		01-245563-004	01-245563-005	01-245563-006		CrNi / SST / inox
03		01-245557-001	01-245557-002	01-245557-003		
04	L/R	01-245626-001	01-245626-003	01-245626-005	400	DS/DL
	R/L	01-245627-001	01-245627-003	01-245627-005	400	DS/DL
	L/R	01-245626-002	01-245626-004	01-245626-006	560	DS/DL
	R/L	01-245627-002	01-245627-004	01-245627-006	560	DS/DL
	L/R	01-245626-007	01-245626-009	01-245626-011	400	DSK
	R/L	01-245627-007	01-245627-009	01-245627-011	400	DSK
	L/R	01-245626-008	01-245626-010	01-245626-012	560	DSK
	R/L	01-245627-008	01-245627-010	01-245627-012	560	DSK
05	L/R	01-245632-007	01-245632-009	01-245632-011	400	DS/DL
	R/L	01-245633-007	01-245633-009	01-245633-011	400	DS/DL
	L/R	01-245632-008	01-245632-010	01-245632-012	560	DS/DL
	R/L	01-245633-008	01-245633-010	01-245633-012	560	DS/DL
	L/R	01-245632-001	01-245632-003	01-245632-005	400	DSK
	R/L	01-245633-001	01-245633-003	01-245633-005	400	DSK
	L/R	01-245632-002	01-245632-004	01-245632-006	560	DSK
	R/L	01-245633-002	01-245633-004	01-245633-006	560	DSK
06		00-302574-014	=	=		
07		01-245605-001	=	=		
08		00-775612-003	=	=		
09		00-324157-000	=	=		
10		01-245563-007	01-245563-008	01-245563-009		Standard
		01-245563-010	01-245563-011	01-245563-012		CrNi / SST / inox
11	L/R	01-245626-013	01-245626-015	01-245626-017	400	DS/DL
	R/L	01-245627-013	01-245627-015	01-245627-017	400	DS/DL
	L/R	01-245626-014	01-245626-016	01-245626-018	560	DS/DL
	R/L	01-245627-014	01-245627-016	01-245627-018	560	DS/DL
	L/R	01-245626-019	01-245626-021	01-245626-023	400	DSK
	R/L	01-245627-019	01-245627-021	01-245627-023	400	DSK
	L/R	01-245626-020	01-245626-022	01-245626-024	560	DSK
	R/L	01-245627-020	01-245627-022	01-245627-024	560	DSK



10.4



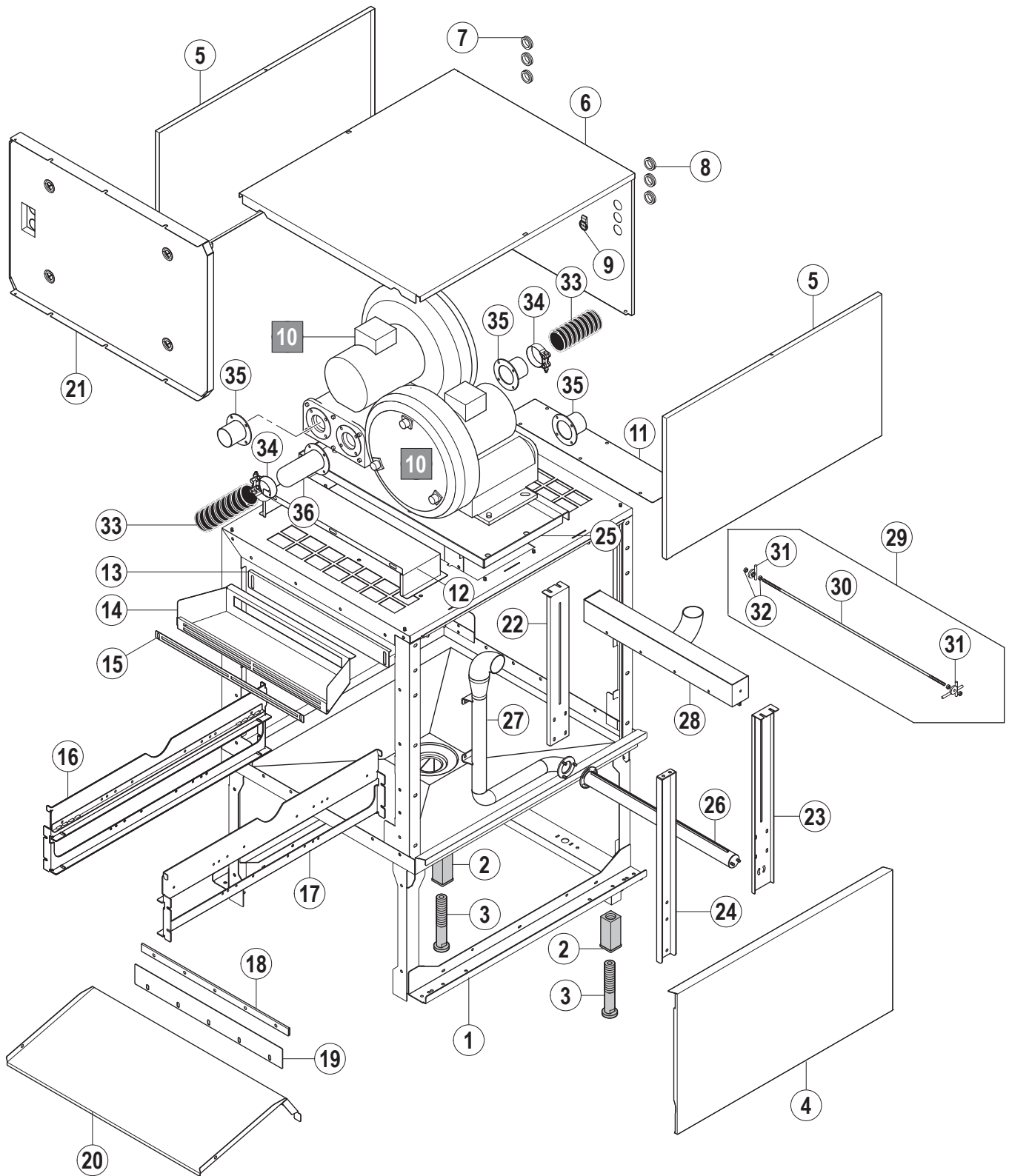
**A** Laufrichtung  
Working direction  
Sens de marche

**B** Bandbreite  
Conveyor width  
Largeur du convoyeur

**C** Durchlaufhöhe  
Usable height  
Hauteur de passage

**D** Länge  
Length  
Longueur

Pos.	A	B [mm]			C (D) [mm]	Bemerkung / Remarks / Remarques
		612	760	965		
01		01-245577-001	01-245577-003	01-245577-005	400	
		01-245577-002	01-245577-004	01-245577-006	560	
02		00-325008-001	=	=		
03		00-325007-001	=	=		
04		01-245190-001	=	=		
05		01-245244-003	=	=		
06		01-245808-001	01-245808-002	01-245808-003		
07		00-785565-004	=	=		
08		00-227748-004	=	=		
09		00-325037-001	=	=		
10		00-868902-001	00-868903-001	00-868902-001		
11		01-245809-001	01-245809-002	01-245809-003		
12		01-245321-001	01-245321-002	01-245321-003		
13		01-245496-007	01-245496-008	01-245496-009		
14		01-245805-001	01-245805-002	01-245805-003		
15		01-245879-001	01-245879-002	01-245879-003		
16		01-245782-002	=	=		
17		01-245782-001	=	=		
18		01-245324-001	01-245324-002	01-245324-003		
19		01-245753-001	01-245753-002	01-245753-003		
20		01-245239-001	01-245239-002	01-245239-003		
21		01-291172-001	01-291172-002	01-291172-003		
22		01-245224-001	01-245224-002	01-245224-003		
23		01-245223-002	01-245223-004	01-245223-006		
24		01-245243-002	01-245243-004	01-245243-006		
25		01-245778-001	=	=	400	
		01-245778-002	=	=	560	



10.5

FTN 10.5



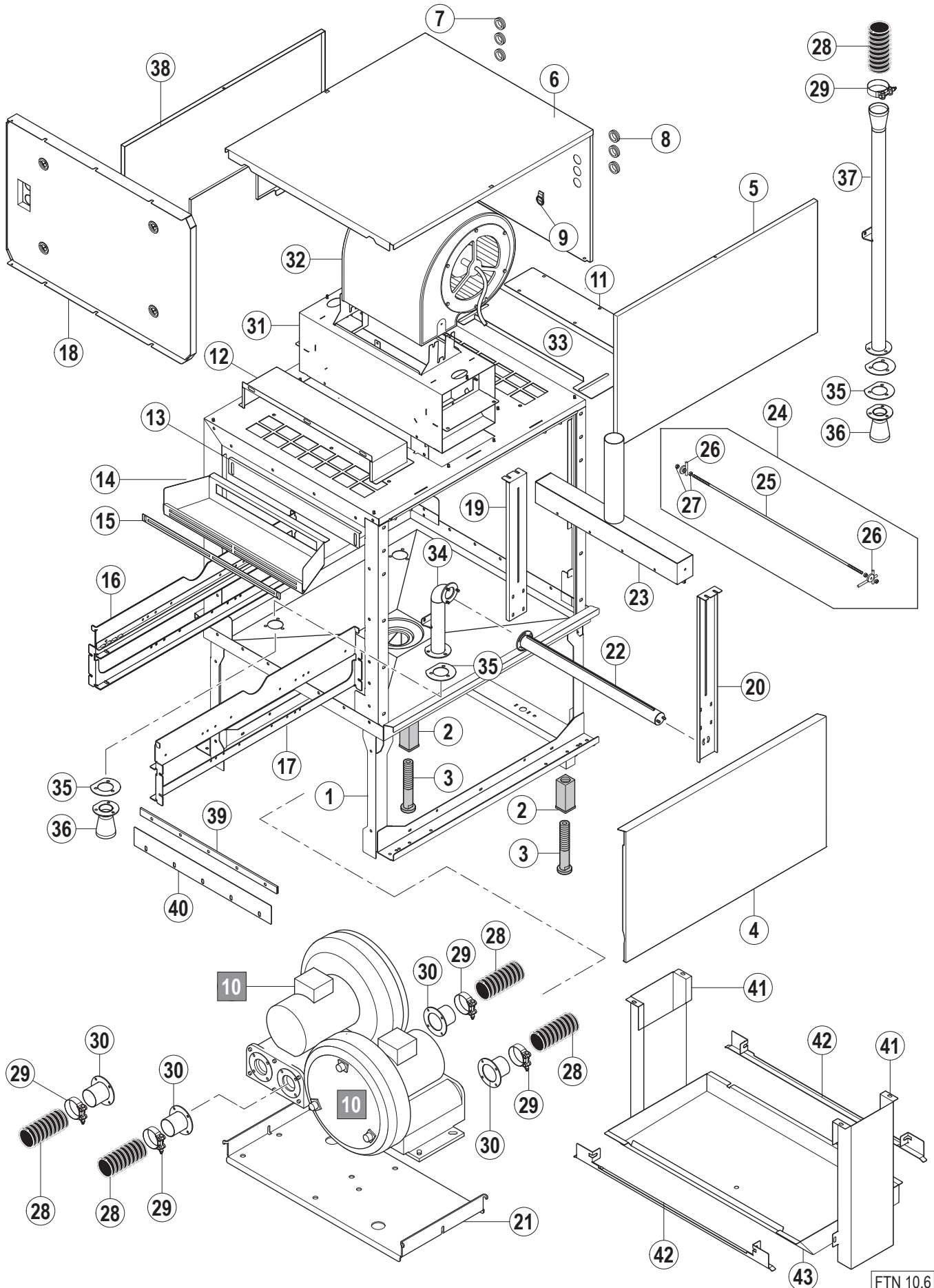
**A** Laufrichtung  
Working direction  
Sens de marche

**B** Bandbreite  
Conveyor width  
Largeur du convoyeur

**C** Durchlaufhöhe  
Usable height  
Hauteur de passage

**D** Länge  
Length  
Longueur

Pos.	A	B [mm]			C (D) [mm]	Bemerkung / Remarks / Remarques
		612	760	965		
01		01-245577-001	01-245577-003		400	
02		00-325008-001	=			
03		00-325007-001	=			
04		01-245190-001	=			
05		01-245244-003	=			
06		01-245808-001	01-245808-002			
07		00-785565-004	=			
08		00-227748-004	=			
09		00-325037-001	=			
10		00-736921-000	00-736921-000			
11		01-245809-001	01-245809-002			
12		01-245321-001	01-245321-002			
13		01-245496-007	01-245496-008			
14		01-245805-001	01-245805-002			
15		01-245879-001	01-245879-002			
16		01-245782-002	=			
17		01-245782-001	=			
18		01-245324-001	01-245324-002			
19		01-245753-001	01-245753-002			
20		01-245239-001	01-245239-002			
21		01-291172-001	01-291172-002			
22		00-884816-006	=		400	
23		00-884816-005	=		400	
24		01-291712-001	=		400	
25		01-296088-001	=			
26		01-296074-001	=			
27		01-296081-002	=		400	
28		01-296070-001	=			
29		00-735821-001	=			
30		00-697973-004	=			
31		00-735820-001	=			
32		00-602491-000	=			
33		00-786812-001	=			
34		00-869038-001	=			
35		00-784508-001	=			
36		01-296086-001	=			



10.6

FTN 10.6



**A** Laufrichtung  
Working direction  
Sens de marche

**B** Bandbreite  
Conveyor width  
Largeur du convoyeur

**C** Durchlaufhöhe  
Usable height  
Hauteur de passage

**D** Länge  
Length  
Longueur

Pos.	A	B [mm]			C (D) [mm]	Bemerkung / Remarks / Remarques
		612	760	965		
01		01-245577-007	01-245577-008		400	
02		00-325008-001	=			
03		00-325007-001	=			
04		01-245190-001	=			
05		01-245244-003	=			
06		01-245808-001	01-245808-002			
07		00-785565-004	=			
08		00-227748-004	=			
09		00-325037-001	=			
10		00-736921-000	00-736921-000			
11		01-245809-001	01-245809-002			
12		01-245321-001	01-245321-002			
13		01-245496-007	01-245496-008			
14		01-245805-001	01-245805-002			
15		01-245879-001	01-245879-002			
16		01-245782-002	=			
17		01-245782-001	=			
18		01-291172-001	01-291172-002			
19		00-884416-006	=		400	
20		00-884416-005	=		400	
21		01-296097-001	=			
22		01-296074-001	01-296074-002			
23		01-296070-003	01-296070-002			
24		00-735821-001	00-735821-002			
25		00-697973-004	00-697973-006			
26		00-735820-001	=			
27		00-602491-000	=			
28		00-786812-001	=			
29		00-869038-001	=			
30		00-784508-001	=			
31		01-249675-001	01-249675-002			
32		00-868902-001	=			
33		01-291839-001	01-291839-002			
34		01-296098-001	=			
35		01-296193-001	=			
36		01-296192-001	=			
37		01-296099-001	=			
38		01-296398-001	=		400	
39		01-245324-001	01-245324-002			
40		01-245753-001	01-245753-002			
41		01-245778-001	=			
42		01-245224-001	01-245224-002			
43		01-245223-002	01-245223-004			



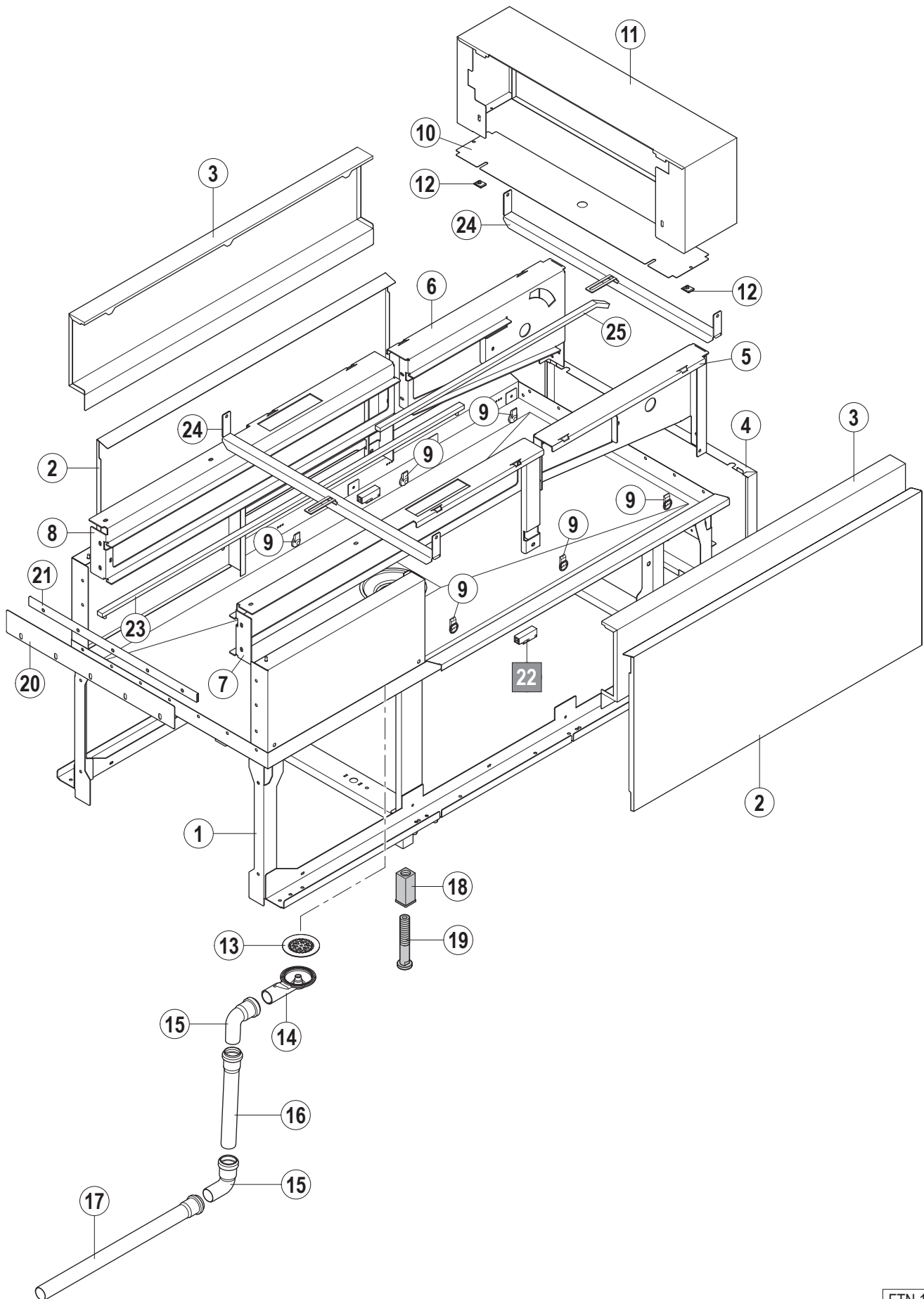
---

**FTN / FTP**

**Auslauf**

**Unload section**

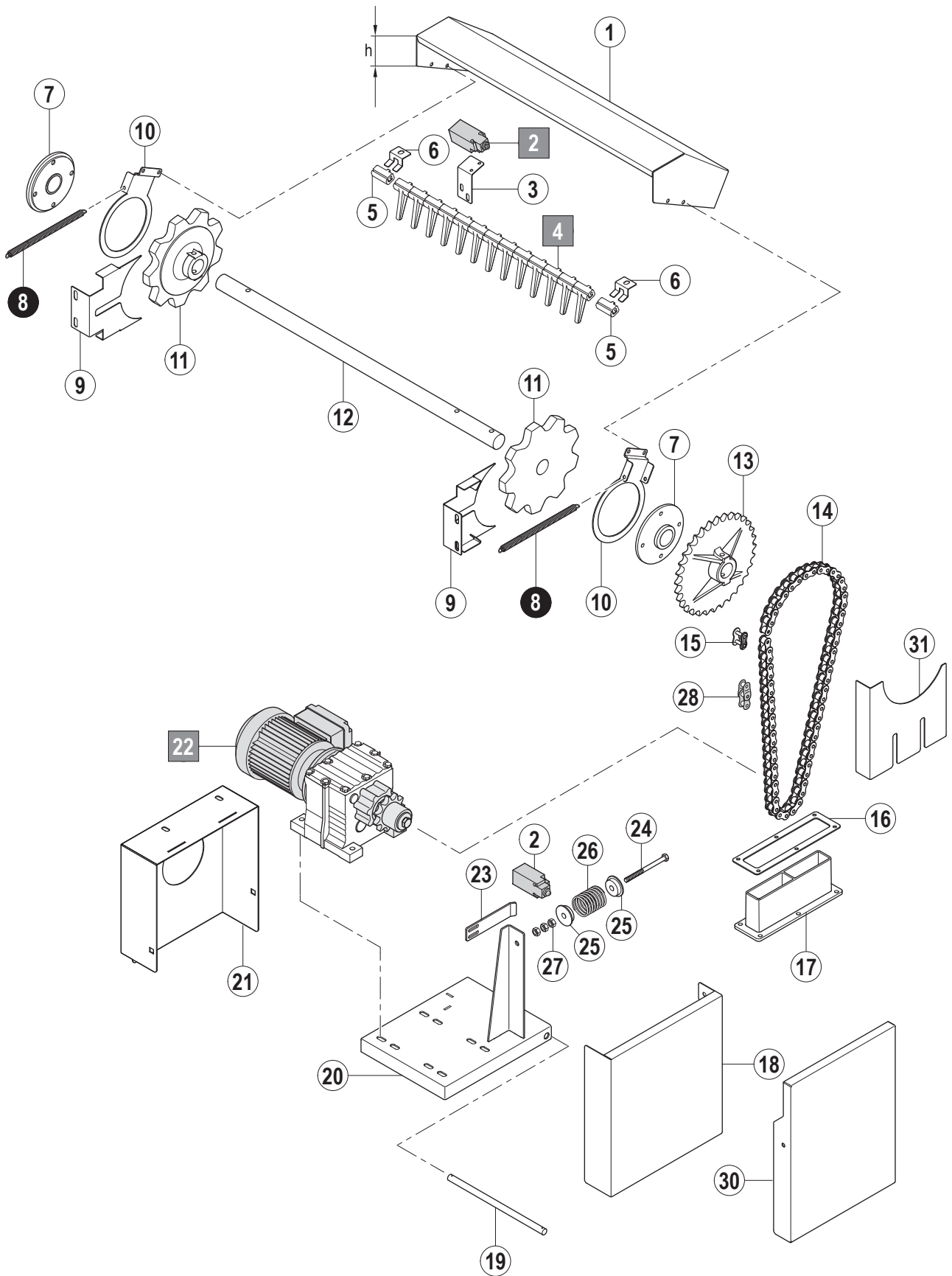
**Zone de déchargement**



11.1

FTN 11.1

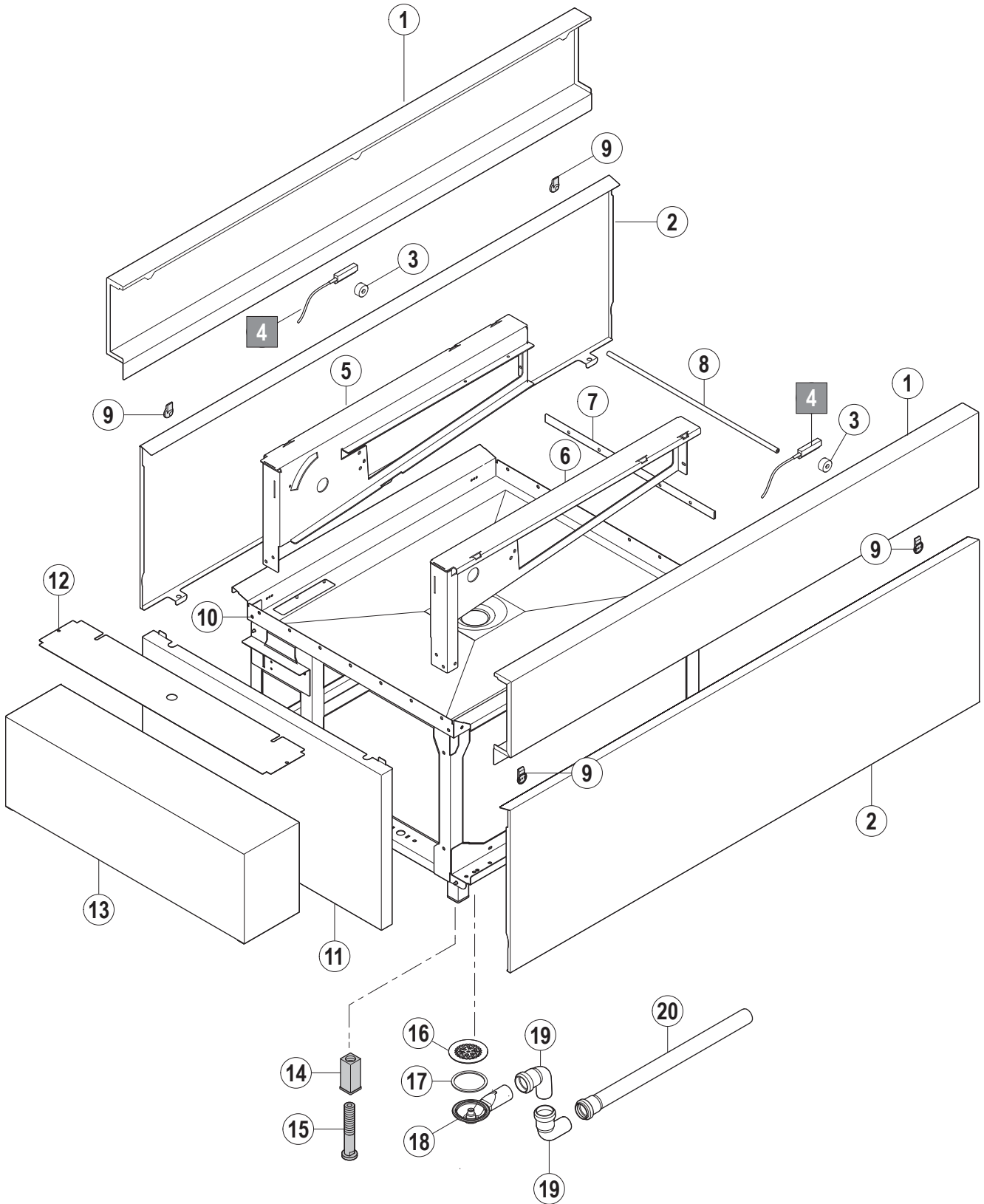
Pos.	A	B [mm]			C (D) [mm]	Bemerkung / Remarks / Remarques
		612	760	965		
01		01-245189-001	01-245189-005	01-245189-009	(800)	DL3
		01-245189-002	01-245189-006	01-245189-010	(800)	DS4
		01-245189-002	01-245189-006	01-245189-010	(1100)	DL4
		01-245189-003	01-245189-007	01-245189-011	(1100)	DS5
		01-245189-003	01-245189-007	01-245189-011	(1400)	DL5
		01-245189-004	01-245189-008	01-245189-012	(1400)	DS6
02		01-245190-007	=	=	(800)	DL3
		01-245190-002	=	=	(800)	DS4
		01-245-190-002	=	=	(1100)	DL4
		01-245190-005	=	=	(1100)	DS5
		01-245190-005	=	=	(1400)	DL5
		01-245190-006	=	=	(1400)	DS6
03		01-245417-002	=	=	(800)	DL3
		01-245417-003	=	=	(800)	DS4
		01-245417-003	=	=	(1100)	DL4
		01-245417-004	=	=	(1100)	DS5
		01-245417-004	=	=	(1400)	DL5
		01-245417-005	=	=	(1400)	DS6
04		01-245272-001	01-245272-002	01-245272-003		
05		01-245238-001	=	=		DL3 / DS4
		01-245238-002	=	=		DL4 / DS5
		01-245238-003	=	=		DL5 / DS6
06		01-245237-001	=	=		DL3 / DS4
		01-245237-002	=	=		DL4 / DS5
		01-245237-003	=	=		DL5 / DS6
07		01-245235-002	=	=		DL
		01-245235-001	=	=		DS
08		01-245234-002	=	=		DL
		01-245234-001	=	=		DS
09		00-325037-001	=	=		
10		01-245415-001	01-245415-002	01-245415-003		
11		01-245414-001	01-245414-002	01-245414-003		
12		00-371148-002	=	=		
13		01-245107-001	=	=		
14		01-245109-010	=	=		
15		00-230080-002	=	=		
16		00-325706-007	=	=		
17		00-325706-003	=	=		
18		00-325008-001	=	=		
19		00-325007-001	=	=		
20		01-245753-001	01-245753-002	01-245753-003		
21		01-245324-001	01-245324-002	01-245324-003		
22		00-775491-001	=	=		
23		---	---	01-291205-005		DL
		---	---	01-291205-006		DS
24		---	---	01-291212-001		
25		---	---	01-291218-001	(800)	
		---	---	01-291218-002	(1100)	
		---	---	01-291218-003	(1400)	



11.2

FTN 11.2a

Pos.	A	B [mm]			C (D) [mm]	Bemerkung / Remarks / Remarques
		612	760	965		
01		01-245220-001	01-245220-003	01-245220-005		h=75
		01-245220-002	01-245220-004	01-245220-006		h=100
02		00-325189-003	=	=		
03		01-245311-001	=	=		
04		00-325477-001	=	=		
05		00-774641-001	=	=		
06		01-291000-001	=	=		
07		00-325243-001	=	=		
08		00-774828-001	=	=		
09		01-245935-001	=	=		
10		00-325242-001	=	=		
11		00-325034-001	=	=		9 Zähne / teeth / dents
		00-325035-001	=	=		6 Zähne / teeth / dents
12		01-245203-001	01-245203-002	01-245203-003		
13		00-325036-001	=	=		
14		00-168703-001	=	=		
15		00-226485-000	=	=		
16		01-245360-001	=	=		
17		01-245359-001	=	=		
18		01-245218-001	=	=		
19		01-245412-001	=	=		
20		01-245352-002	=	=		
21		01-245576-001	=	=		
22		01-245344-...	=	=		siehe Schaltplan / see wiring diagram / voir schéma de câblage
23		01-245355-001	=	=		
24		00-602693-000	=	=		
25		00-229413-000	=	=		
26		00-227873-006	=	=		
27		00-602492-000	=	=		
28		00-377016-001	=	=		
29		01-245844-001	01-245844-002	01-245844-003		
30		01-296037-001	=	=		
31		01-291768-001	=	=		



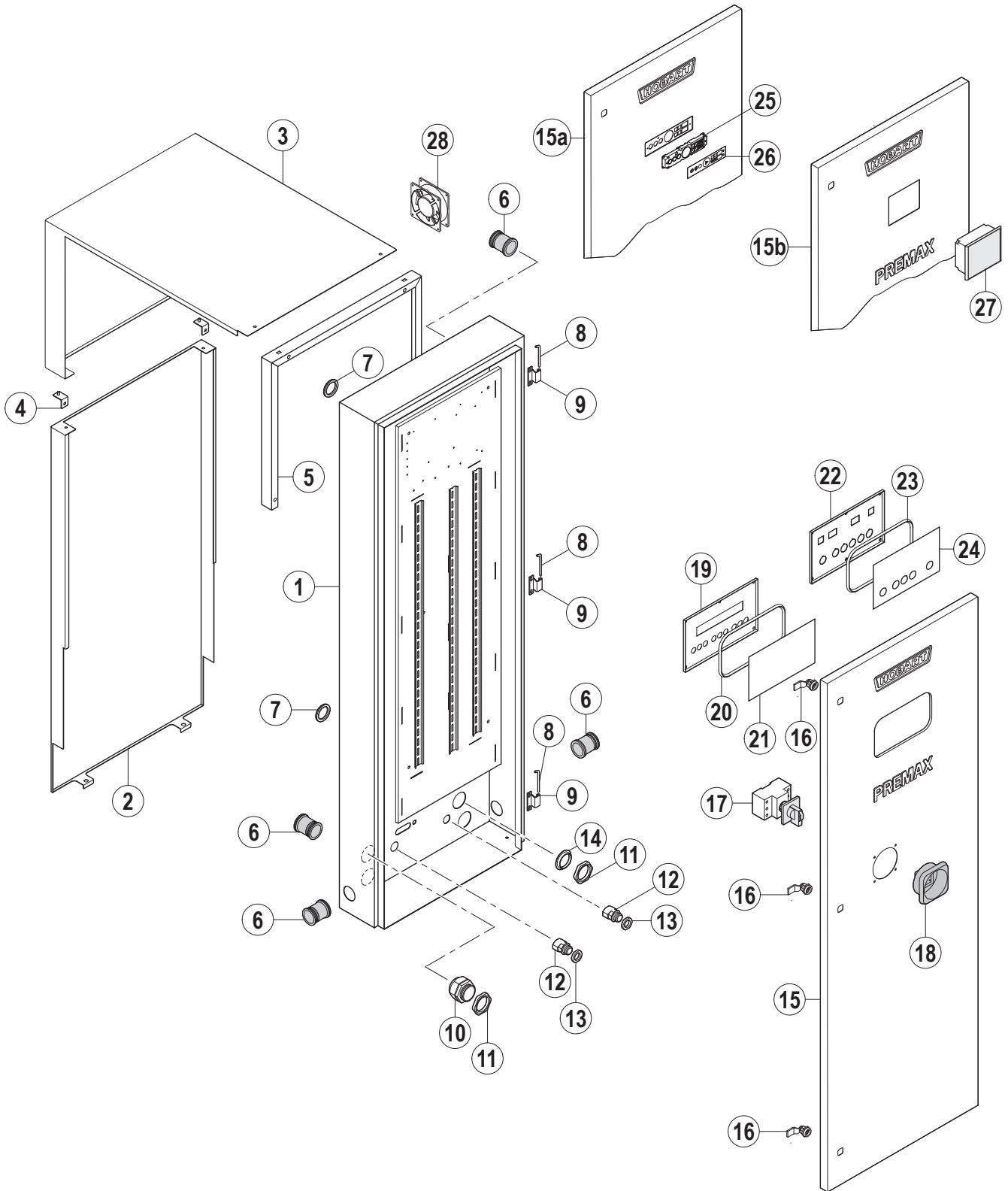
11.3

Pos.	A	B [mm]			C (D) [mm]	Bemerkung / Remarks / Remarques
		612	760	965		
01		01-245417-002	=	=	(800)	DL
		01-245417-003	=	=	(1100)	DL
		01-245417-004	=	=	(1400)	DL
		01-245417-005	=	=	(1700)	DL
		01-245417-003	=	=	(800)	DS
		01-245417-004	=	=	(1100)	DS
		01-245417-005	=	=	(1400)	DS
		01-245417-007	=	=	(1700)	DS
02		01-245190-007	=	=	(800)	DL
		01-245190-002	=	=	(1100)	DL
		01-245190-005	=	=	(1400)	DL
		01-245190-006	=	=	(1700)	DL
		01-245190-002	=	=	(800)	DS
		01-245190-005	=	=	(1100)	DS
		01-245190-006	=	=	(1400)	DS
		01-245190-009	=	=	(1700)	DS
03		00-774714-001	=	=		
04		00-775491-001	=	=		
05		01-245238-001	=	=	(800)	
		01-245238-002	=	=	(1100)	
		01-245238-003	=	=	(1400)	
		01-245238-004	=	=	(1700)	
06		01-245237-001	=	=	(800)	
		01-245237-002	=	=	(1100)	
		01-245237-003	=	=	(1400)	
		01-245237-004	=	=	(1700)	
07		01-245324-004	01-245324-005	01-245324-006		
08		00-325224-001	00-325224-011	00-325224-012		
09		00-325037-001	=	=		
10		01-245705-001	01-245705-005	01-245705-009	(800)	
		01-245705-002	01-245705-006	01-245705-010	(1100)	
		01-245705-003	01-245705-007	01-245705-011	(1400)	
		01-245705-004	01-245705-008	01-245705-012	(1700)	
11		01-245272-001	01-245272-002	01-245272-003		
12		01-245415-001	01-245415-002	01-245415-003		
13		01-245414-001	01-245414-002	01-245414-003		
14		00-325008-001	=	=		
15		00-325007-001	=	=		
16		01-245107-001	=	=		
17		01-245340-004	=	=		
18		01-245109-001	=	=		
19		00-230080-002	=	=		
20		00-325706-001	=	=		



---

**FTN / FTP**  
**Schaltkasten**  
**Control box**  
**Coffret électrique**



Pos.	A	B [mm]			C (D) [mm]	Bemerkung / Remarks / Remarques
		612	760	965		
01		01-245225-001	=	=	400	
		01-245225-002	=	=	560	
		01-245225-011	=	=	400	Sensotronic
		01-245225-012	=	=	560	Sensotronic
02		01-245227-001	=	=	400	
		01-245227-002	=	=	560	
03		01-245221-001	01-245221-002	01-245221-003		
04		01-245228-001	=	=		
05		01-245263-001	=	=		
06		00-325186-001	=	=		
07		00-325655-001	=	=		
08		00-325086-013	=	=		
09		00-325086-011	=	=		
10		00-695661-007	=	=		
11		00-695664-007	=	=		
12		00-774797-002	=	=		
13		00-695664-004	=	=		
14		00-695666-007	=	=		
15		01-245304-003	=	=	400	Premax
		01-245304-004	=	=	560	Premax
		01-245304-001	=	=	400	Protronic / Easytronic ->10/2009
		01-245304-002	=	=	560	Protronic / Easytronic ->10/2009
		01-245304-020	=	=	400	Protronic 10/2009 ->
		01-245304-021	=	=	560	Protronic 10/2009 ->
15a		01-245304-022	=	=	400	Smartronic
15a		01-245304-023	=	=	560	Smartronic
15b		01-245304-018	=	=	400	Protronic / Sensotronic
15b		01-245304-019	=	=	560	Protronic / Sensotronic
16		00-229518-001	=	=		
17		00-301773-005	=	=		
18		00-734115-002	=	=		Profi - blau / blue / bleu
		00-734115-003	=	=		Premax - silber / silver / argent
19		01-245672-001	=	=		Protronic / Premax
20		00-325554-004	=	=		Premax
21		01-245674-002	=	=		Premax
22		00-868199-002	=	=		Easytronic
23		00-325554-003	=	=		Protronic / Easytronic
24		01-245673-001	=	=		Easytronic
		01-245674-001	=	=		Protronic
25		00-897540-002	=	=		Smartronic
26		01-291845-001	=	=		Smartronic
27		01-887104-001	=	=		Profi
		01-887104-002	=	---		Premax
28		00-230324-...	=	=		siehe Schaltplan / see wiring diagram / voir schéma de câblage



Pos.	A	B [mm]			C (D) [mm]	Bemerkung / Remarks / Remarques
		612	760	965		
01		01-291567-001	=	=	400	T=140
		01-291567-002	=	=	560	T=140
		01-291567-003	=	=	400	T=356
		01-291567-004	=	=	560	T=356
02		01-291546-001	=	=		
03		00-325086-011	=	=		
04		00-325086-013	=	=		
05		01-245304-010	=	=	400	
		01-245304-011	=	=	560	
06		01-291236-003	=	=	400	
		01-291236-004	=	=	560	
07		01-291544-001	=	=	400	
		01-291544-002	=	=	560	
08		01-244408-001	=	=		
09		01-244409-001	=	=		
10		00-229518-001	=	=		
11	L/R	01-245235-004	=	=		
	R/L	01-245234-004	=	=		
12		00-782492-001	=	=		
13		00-325186-001	=	=		
14		00-695661-007	=	=		
15		00-695664-007	=	=		
16		00-695666-007	=	=		
17		00-325655-001	=	=		
18		00-774783-003	=	=		



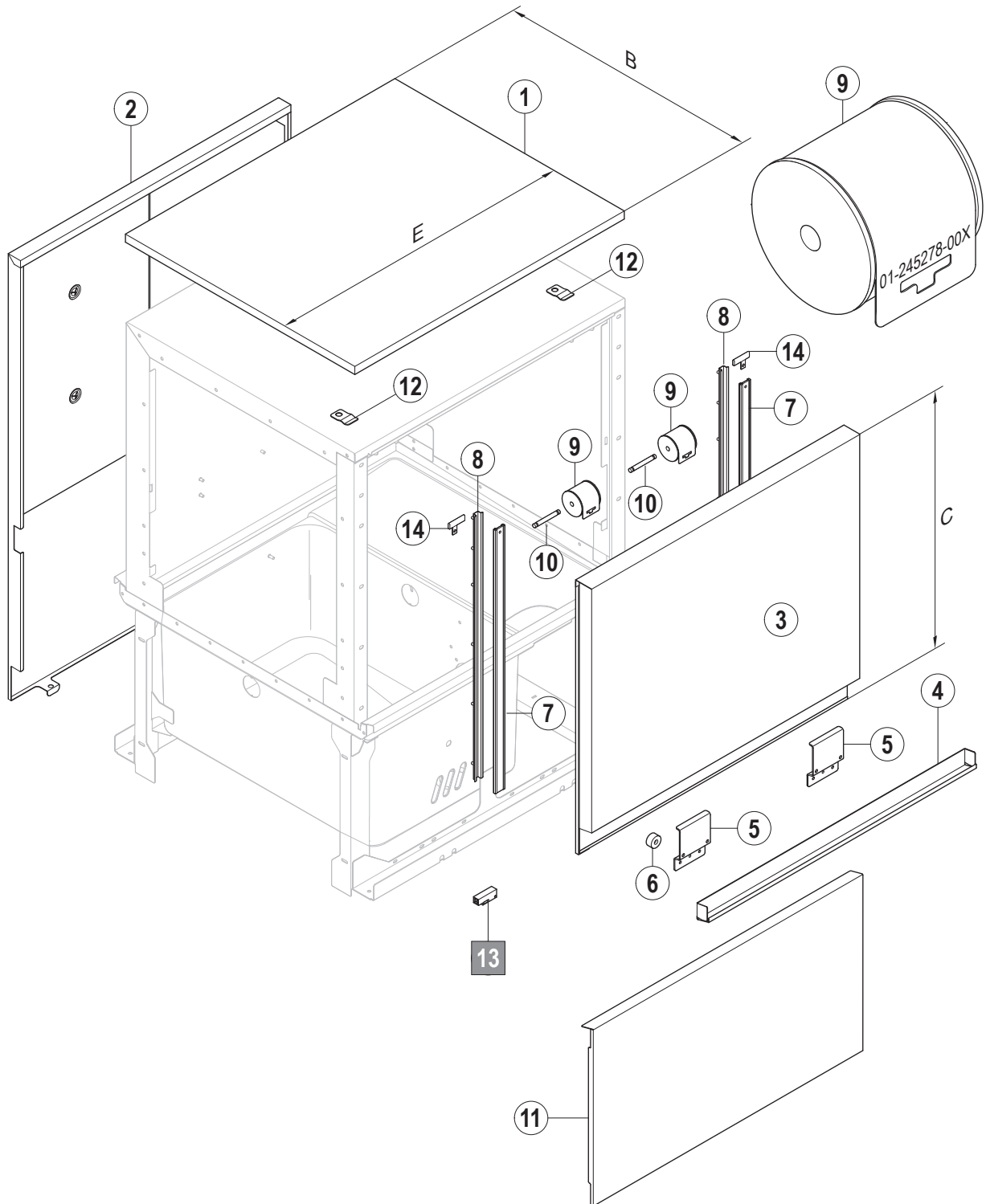
---

## **FTN / FTP**

**Türen und Verkleidungen**

**Doors and panels**

**Portes et panneaux**



Pos.	A	B [mm]			C (D) [mm]	Bemerkung / Remarks / Remarques
		612	760	965		
01		01-245525-003	01-245525-007	01-245525-013		E = 150 mm
		01-245525-004	01-245525-008	01-245525-014		E = 500 mm
		01-245525-002	01-245525-006	01-245525-012		E = 900 mm
		01-245525-001	01-245525-005	01-245525-011		E = 1400 mm
		01-245944-001	01-245944-006	01-245944-011		E = 100 mm Trennmodul / disconnecting module / module de passage
		01-245944-003	01-245944-008	01-245944-013		E = 300 mm Trennmodul / disconnecting module / module de passage
02		01-245527-004	=	=	400	E = 500 mm
		01-245527-003	=	=	400	E = 650 mm
		01-245527-002	=	=	400	E = 900 mm
		01-245527-001	=	=	400	E = 1400 mm
		01-245527-008	=	=	560	E = 500 mm
		01-245527-007	=	=	560	E = 650 mm
		01-245527-006	=	=	560	E = 900 mm
		01-245527-005	=	=	560	E = 1400 mm
		01-245942-001	=	=	400	E = 100 mm Trennmodul / disconnecting module / module de passage
		01-245942-006	=	=	560	E = 100 mm <b>T-Modul</b> Trennmodul / disconnecting module / module de passage
		01-245942-003	=	=	400	E = 300 mm Trennmodul / disconnecting module / module de passage
	01-245942-008	=	=	560	E = 300 mm Trennmodul / disconnecting module / module de passage	
03		01-245123-007	=	=	400	E = 500 mm ohne Isolierung / without insulation / sans isolation
		01-245123-003	=	=	400	E = 650 mm ohne Isolierung / without insulation / sans isolation
		01-245123-002	=	=	400	E = 900 mm ohne Isolierung / without insulation / sans isolation
		01-245123-001	=	=	400	E = 1400 mm ohne Isolierung / without insulation / sans isolation
		01-245754-007	=	=	400	E = 500 mm mit Isolierung / with insulation / avec isolation
		01-245754-003	=	=	400	E = 650 mm mit Isolierung / with insulation / avec isolation
		01-245754-002	=	=	400	E = 900 mm mit Isolierung / with insulation / avec isolation
		01-245754-001	=	=	400	E = 1400 mm mit Isolierung / with insulation / avec isolation
		01-245123-008	=	=	560	E = 500 mm ohne Isolierung / without insulation / sans isolation
		01-245123-006	=	=	560	E = 650 mm ohne Isolierung / without insulation / sans isolation
		01-245123-005	=	=	560	E = 900 mm ohne Isolierung / without insulation / sans isolation
		01-245123-004	=	=	560	E = 1400 mm ohne Isolierung / without insulation / sans isolation
		01-245754-008	=	=	560	E = 500 mm mit Isolierung / with insulation / avec isolation
		01-245754-006	=	=	560	E = 650 mm mit Isolierung / with insulation / avec isolation
	01-245754-005	=	=	560	E = 900 mm mit Isolierung / with insulation / avec isolation	
	01-245754-004	=	=	560	E = 1400 mm mit Isolierung / with insulation / avec isolation	
04		01-245129-004	=	=		E = 500 mm
		01-245129-003	=	=		E = 650 mm
		01-245129-002	=	=		E = 900 mm
		01-245129-001	=	=		E = 1400 mm
05		01-245127-001	=	=		E = 650;900;1400
		01-245279-001	=	=		E = 500
06		00-774714-001	=	=		
07		00-325064-006	=	=	400	
		00-325064-007	=	=	560	
08		01-245126-001	=	=	400	
		01-245126-002	=	=	560	



**A** Laufrichtung  
Working direction  
Sens de marche

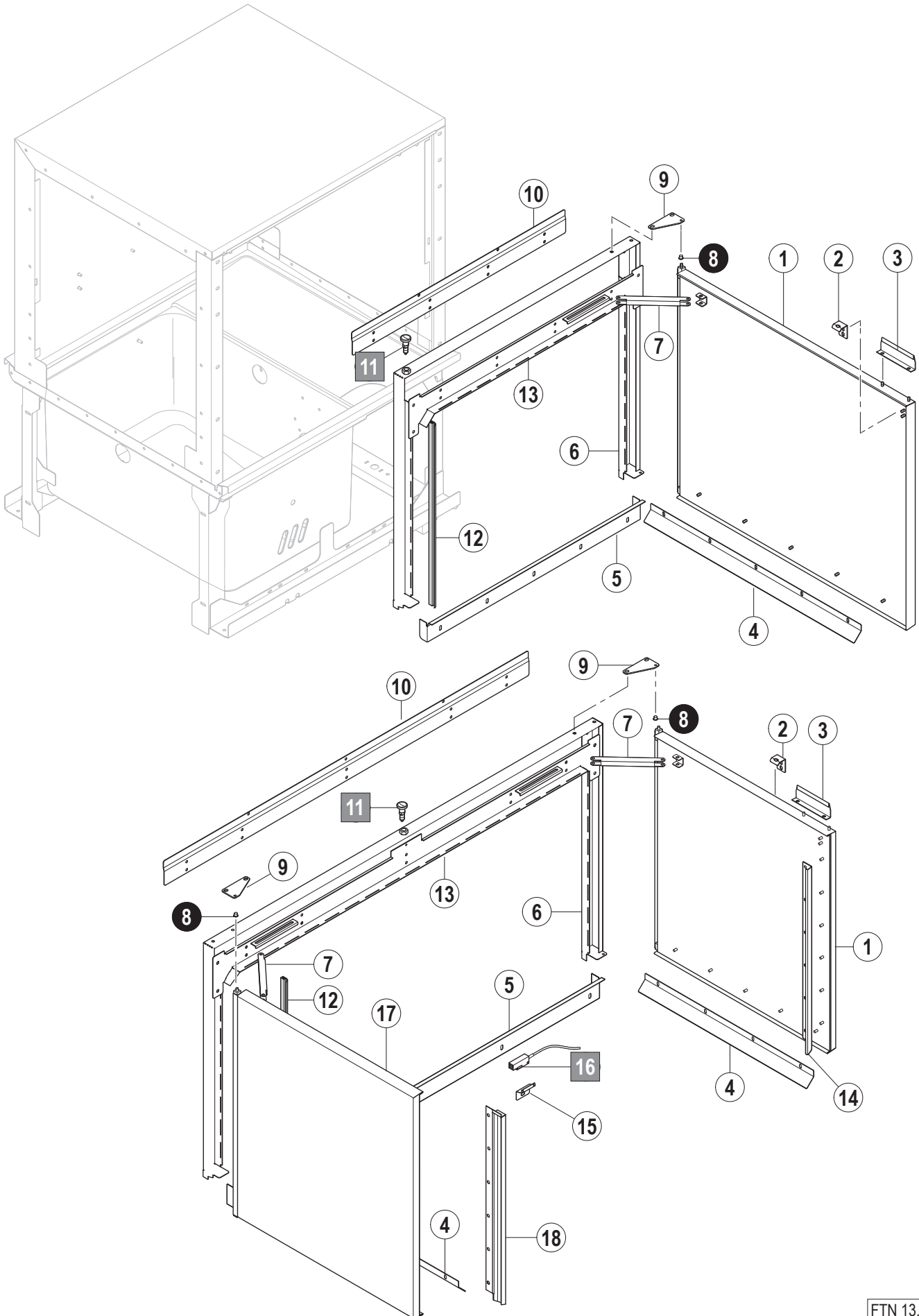
**B** Bandbreite  
Conveyor width  
Largeur du convoyeur

**C** Durchlaufhöhe  
Usable height  
Hauteur de passage

**D** Länge  
Length  
Longueur

Pos.	A	B [mm]			C (D) [mm]	Bemerkung / Remarks / Remarques
		612	760	965		
09		01-245274-001	=	=	400	E = 500 mm ohne Isolierung / without insulation / sans isolation
		01-245274-001	=	=	400	E = 650 mm ohne Isolierung / without insulation / sans isolation
		01-245274-002	=	=	400	E = 900 mm ohne Isolierung / without insulation / sans isolation
		01-245274-004	=	=	400	E = 1400 mm ohne Isolierung / without insulation / sans isolation
		01-245274-002	=	=	400	E = 500 mm mit Isolierung / with insulation / avec isolation
		01-245274-003	=	=	400	E = 650 mm mit Isolierung / with insulation / avec isolation
		01-245274-005	=	=	400	E = 900 mm mit Isolierung / with insulation / avec isolation
		01-245274-007	=	=	400	E = 1400 mm mit Isolierung / with insulation / avec isolation
		01-245274-001	=	=	560	E = 500 mm ohne Isolierung / without insulation / sans isolation
		01-245274-002	=	=	560	E = 650 mm ohne Isolierung / without insulation / sans isolation
		01-245274-003	=	=	560	E = 900 mm ohne Isolierung / without insulation / sans isolation
		01-245274-005	=	=	560	E = 1400 mm ohne Isolierung / without insulation / sans isolation
		01-245274-003	=	=	560	E = 500 mm mit Isolierung / with insulation / avec isolation
		01-245274-004	=	=	560	E = 650 mm mit Isolierung / with insulation / avec isolation
		01-245274-006	=	=	560	E = 900 mm mit Isolierung / with insulation / avec isolation
		01-245274-008	=	=	560	E = 1400 mm mit Isolierung / with insulation / avec isolation
10		01-245281-001	=	=		
11		01-245190-003	=	=		E = 500 mm
		01-245190-004	=	=		E = 650 mm
		01-245190-001	=	=		E = 900 mm
		01-245190-002	=	=		E = 1400 mm
12		01-245528-001	=	=		
13		00-775491-001	=	=		
14		01-291426-001	=	=		





Pos.	A	B [mm]			C (D) [mm]	Bemerkung / Remarks / Remarques
		612	760	965		
01		01-245985-001	=	=	400 (500)	
		01-245985-002	=	=	400 (650)	
		01-245985-003	=	=	400 (900)	
		01-245985-007	=	=	400 (1400)	
		01-245985-004	=	=	560 (500)	
		01-245985-005	=	=	560 (650)	
		01-245985-006	=	=	560 (900)	
		01-245985-008	=	=	560 (1400)	
02		01-247015-002	=	=		
03		00-896817-002	=	=		
04		01-243888-001	=	=	(500)	
		01-243888-002	=	=	(650)	
		01-243888-004	=	=	(900)	
		01-243888-010	=	=	(1400)	
05		01-245988-003	=	=	(500)	
		01-245988-002	=	=	(650)	
		01-245988-001	=	=	(900)	
		01-245988-004	=	=	(1400)	
06		01-245999-003	=	=	400 (500)	
		01-245999-002	=	=	400 (650)	
		01-245999-001	=	=	400 (900)	
		01-245999-007	=	=	400 (1400)	
		01-245999-006	=	=	560 (500)	
		01-245999-005	=	=	560 (650)	
		01-245999-004	=	=	560 (900)	
		01-245999-008	=	=	560 (1400)	
07		01-245990-001	=	=		
08		00-298963-014	=	=		
09		00-784243-001	=	=		
10		01-291062-003	=	=	(500)	
		01-291062-002	=	=	(650)	
		01-291062-001	=	=	(900)	
		01-291062-004	=	=	(1400)	
11		01-247013-001	=	=		
12		01-243873-015	=	=	400 (500)	
		01-243873-016	=	=	400 (650)	
		01-243873-017	=	=	400 (900)	
		01-243873-021	=	=	400 (1400)	
		01-243873-018	=	=	560 (500)	
		01-243873-019	=	=	560 (650)	
		01-243873-020	=	=	560 (900)	
		01-243873-022	=	=	560 (1400)	
13		01-245987-003	=	=	(500)	
		01-245987-002	=	=	(650)	
		01-245987-001	=	=	(900)	
		01-245987-004	=	=	(1400)	
14		01-245996-001	=	=	400 (1400)	
		01-245996-002	=	=	560 (1400)	
15		01-245995-001	=	=		
16		00-775491-001	=	=		



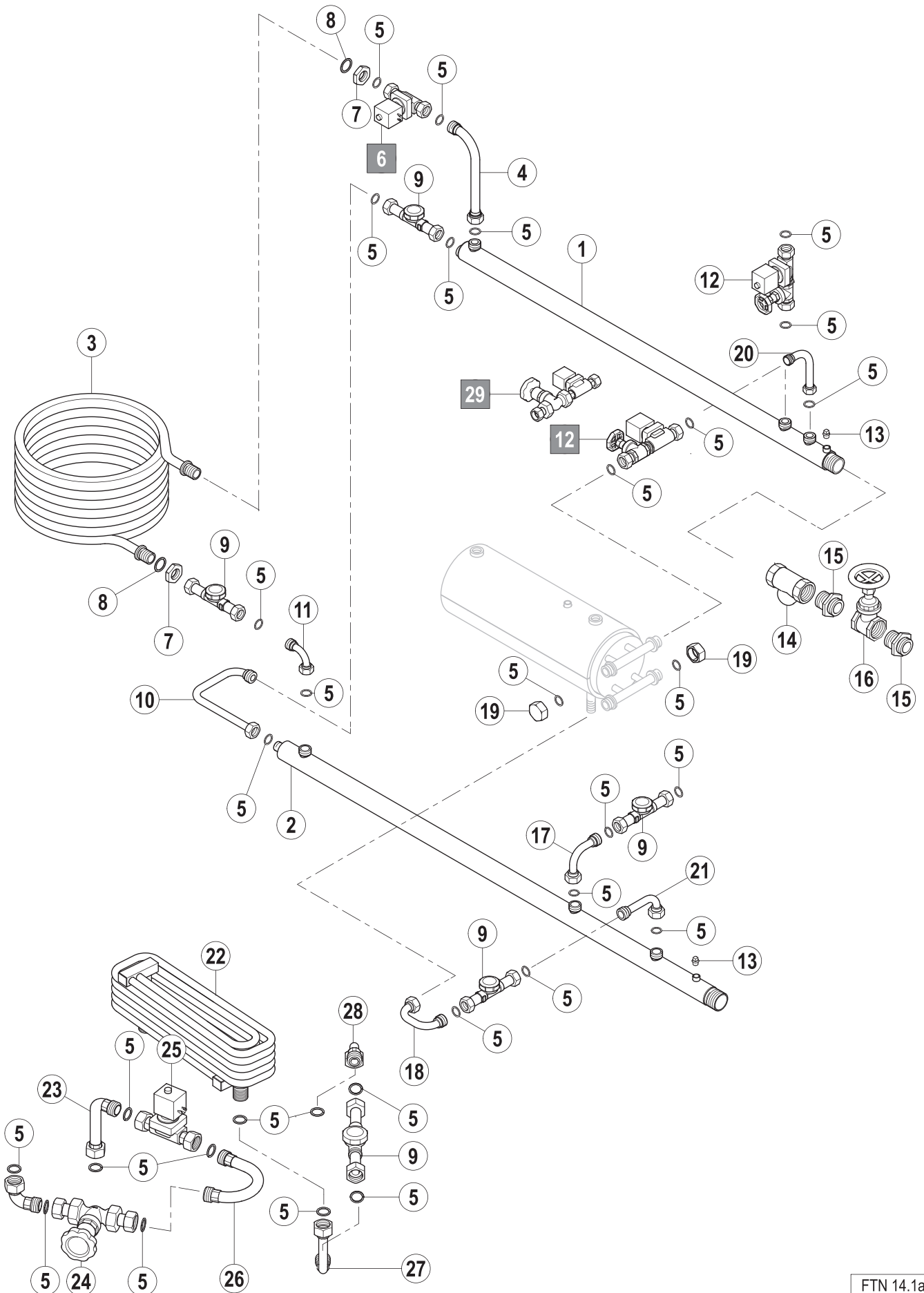
---

**FTN / FTP**

**Dampfverrohrung**

**Steam piping**

**Tuyauterie vapeur**



Pos.	A	B [mm]			C (D) [mm]	Bemerkung / Remarks / Remarques
		612	760	965		
01	L/R	01-245569-003	=	=		A - Maschine / machine
	R/L	01-245569-004	=	=		A - Maschine / machine
	L/R	01-245569-001	=	=		B - Maschine / machine
	R/L	01-245569-002	=	=		B - Maschine / machine
	L/R	01-245569-005	=	=		C - Maschine / machine
	R/L	01-245569-006	=	=		C - Maschine / machine
	L/R	01-245569-007	=	=		DA - Maschine / machine
	R/L	01-245569-008	=	=		DA - Maschine / machine
02	L/R	01-245591-003	=	=		A - Maschine / machine
	R/L	01-245591-004	=	=		A - Maschine / machine
	L/R	01-245591-001	=	=		B - Maschine / machine
	R/L	01-245591-002	=	=		B - Maschine / machine
	L/R	01-245591-005	=	=		C - Maschine / machine
	R/L	01-245591-006	=	=		C - Maschine / machine
	L/R	01-245591-007	=	=		DA - Maschine / machine
	R/L	01-245591-008	=	=		DA - Maschine / machine
03		01-245647-001	=	=		
04		01-245628-001	=	=		
05		00-302574-014	=	=		
06		01-245593-001	=	=		Dampf / steam / vapeur 1 - 3,5 bar
		01-245593-002	=	=		Dampf / steam / vapeur <= 1 bar
07		00-609698-000	=	=		
08		00-300084-010	=	=		
09		01-245603-001	=	=		
10		01-245635-002	=	=		
11		01-245634-002	=	=		
12		01-296023-001	=	=		Dampf / steam / vapeur 1 - 3,5 bar
		01-296023-002	=	=		Dampf / steam / vapeur <= 1 bar
13		00-603130-000	=	=		
14		00-774429-001	=	=		
15		00-600558-002	=	=		
16		00-774420-001	=	=		
17		01-245631-001	=	=		
18		01-245629-001	=	=		
19		01-245605-001	=	=		
20		01-296025-001	=	=		
21		01-245630-002	=	=		
22		01-291055-001	=	=		
23		01-291294-002	=	=		
24		01-291948-003	=	=		
25		01-245593-001	=	=		Dampf / steam / vapeur 1 - 3,5 bar
		01-245593-002	=	=		Dampf / steam / vapeur <= 1 bar
26		01-291543-001	=	=		
27		01-291295-001	=	=		
28		01-291295-002	01-291295-003	=		
29		01-291294-002	=	=		



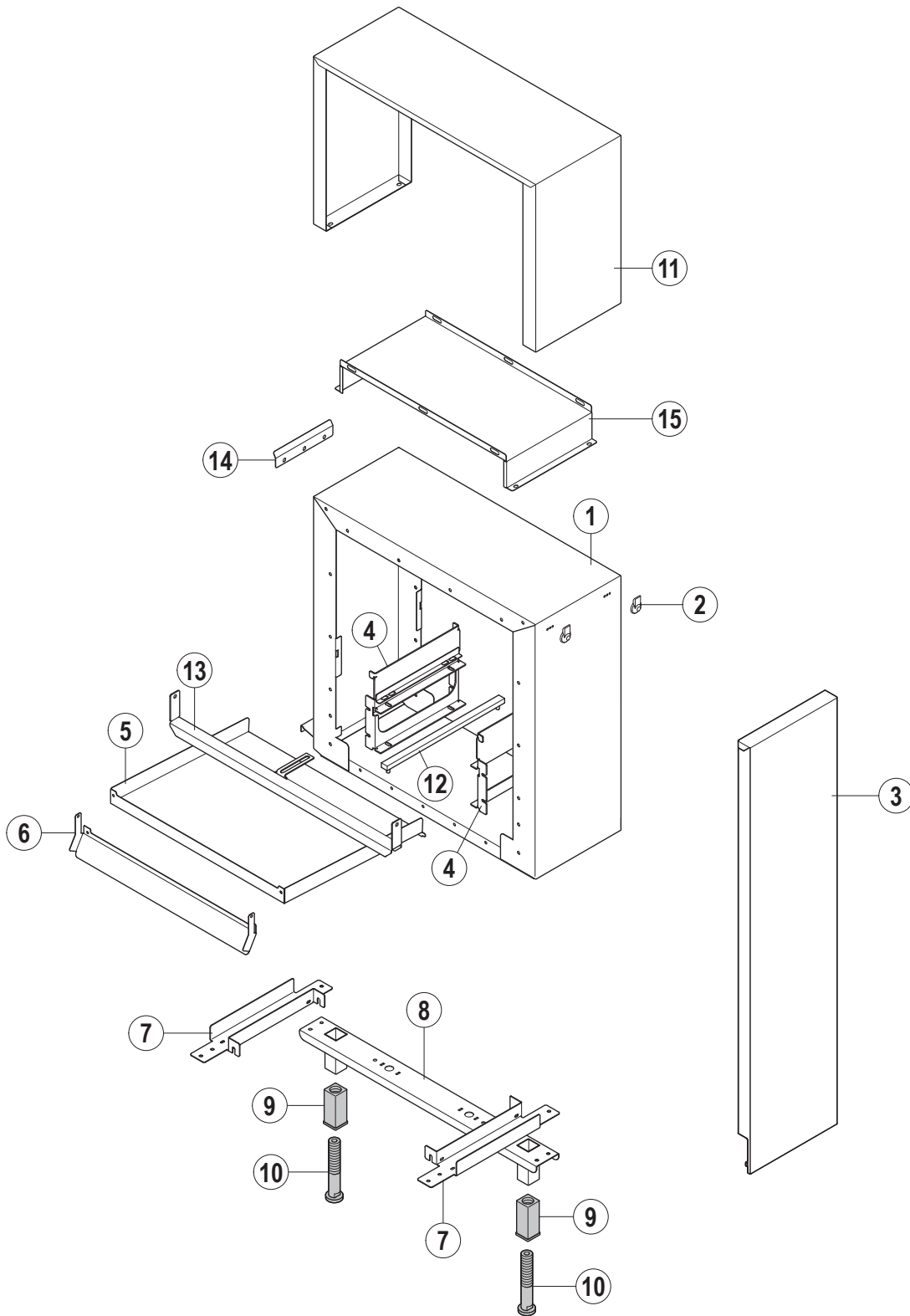
---

**FTN / FTP**

**Trennmodul**

**Disconnecting module**

**Module de passage**



Pos.	A	B [mm]			C (D) [mm]	Bemerkung / Remarks / Remarques
		612	760	965		
01		01-245451-001	01-245451-006	01-245451-011	400 (100)	
		01-245451-016	01-245451-021	01-245451-026	560 (100)	
		01-245451-003	01-245451-008	01-245451-013	400 (300)	
		01-245451-018	01-245451-023	01-245451-028	560 (100)	
		01-245451-004	01-245451-009	01-245451-014	400 (500)	
		01-245451-019	01-245451-024	01-245451-029	560 (500)	
02		00-327037-001	=	=		
03		01-291227-001	=	=	400 (100)	
		01-291227-006	=	=	560 (100)	
		01-291227-003	=	=	400 (300)	
		01-291227-008	=	=	560 (300)	
		01-291227-004	=	=	400 (500)	
		01-291227-009	=	=	560 (500)	
04		01-245885-001	=	=	(100)	
		01-245885-003	=	=	(300)	
		01-245271-003	=	=	(500)	
05		01-245888-001	01-245888-006	01-245888-011	(100)	
		01-245888-003	01-245888-008	01-245888-013	(300)	
		01-245888-004	01-245888-009	01-245888-014	(500)	
06		01-245880-001	01-245880-002	01-245880-003		
07		01-245450-001	=	=	(100)	
		01-245450-003	=	=	(300)	
		01-245450-004	=	=	(500)	
08		01-245452-002	01-245452-003	01-245452-004		
09		00-325008-001	=	=		
10		00-325007-001	=	=		
11		01-291220-001	01-291220-004	01-291220-007	(100)	
		01-291220-002	01-291220-005	01-291220-008	(300)	
		01-291220-003	01-291220-006	01-291220-009	(500)	
12		---	01-291205-019	=	(100)	
		---	01-291205-021	=	(300)	
		---	01-291205-014	=	(500)	
13		---	01-291212-002	01-291212-001		
14		01-245769-004	=	=	(100)	
		01-245769-003	=	=	(300)	
		01-245769-001	=	=	(500)	
15		01-291221-001	01-291221-004	01-291221-007	(100)	
		01-291221-002	01-291221-005	01-291221-008	(300)	
		01-291221-003	01-291221-006	01-291221-009	(500)	



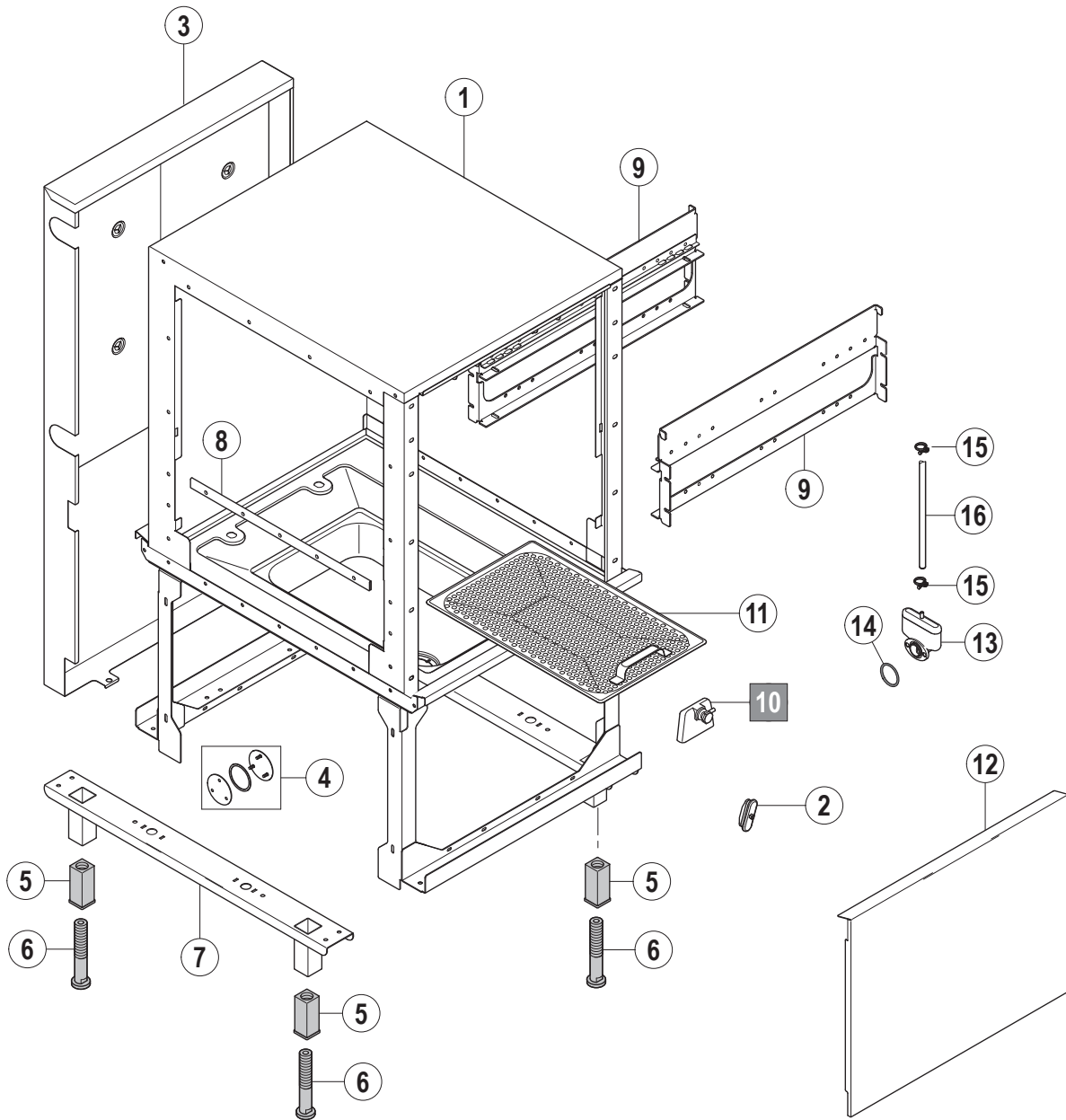
---

**FTN / FTP**

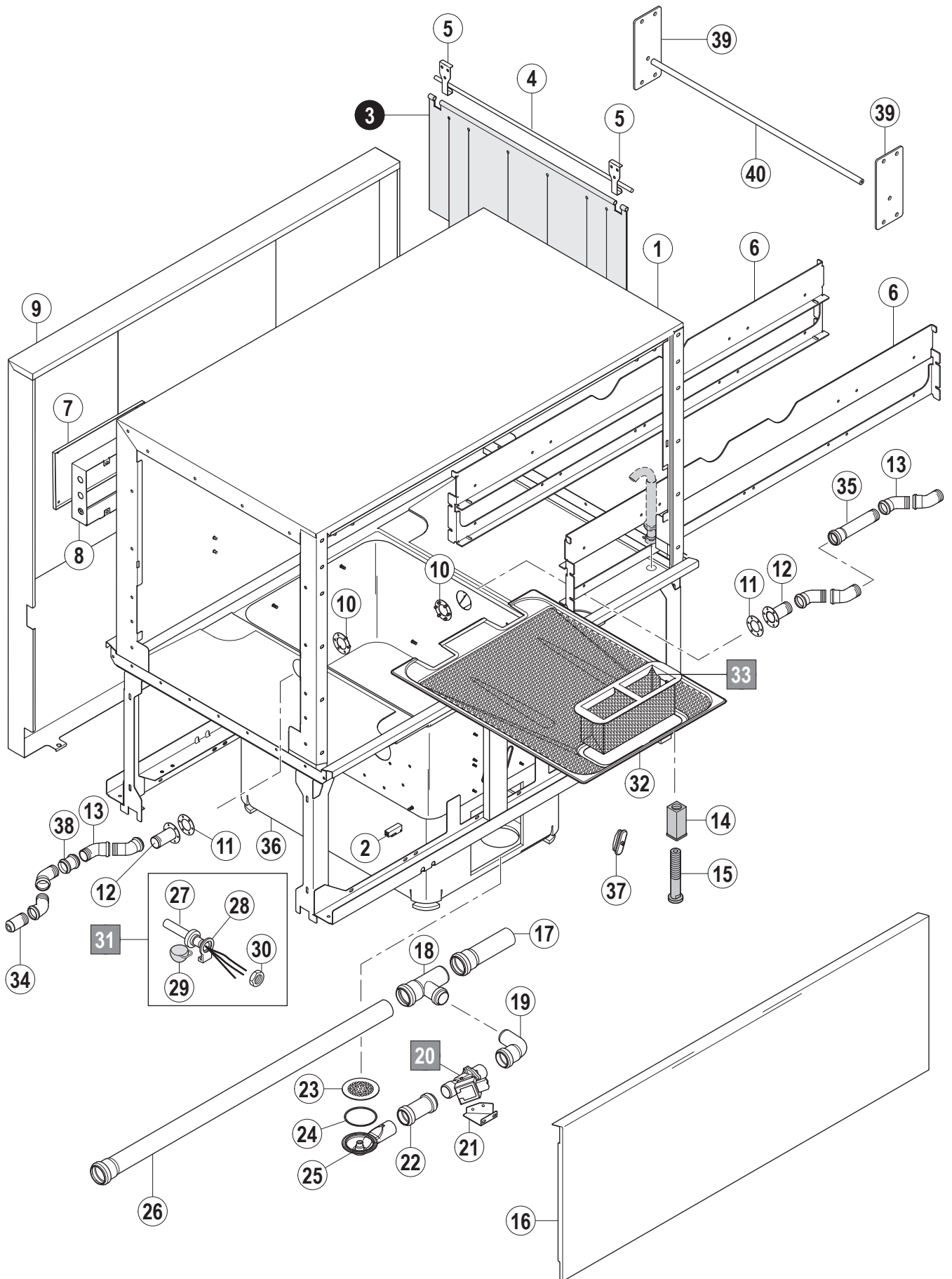
**Thermodesinfektion**

**Thermal disinfection**

**Désinfection thermique**



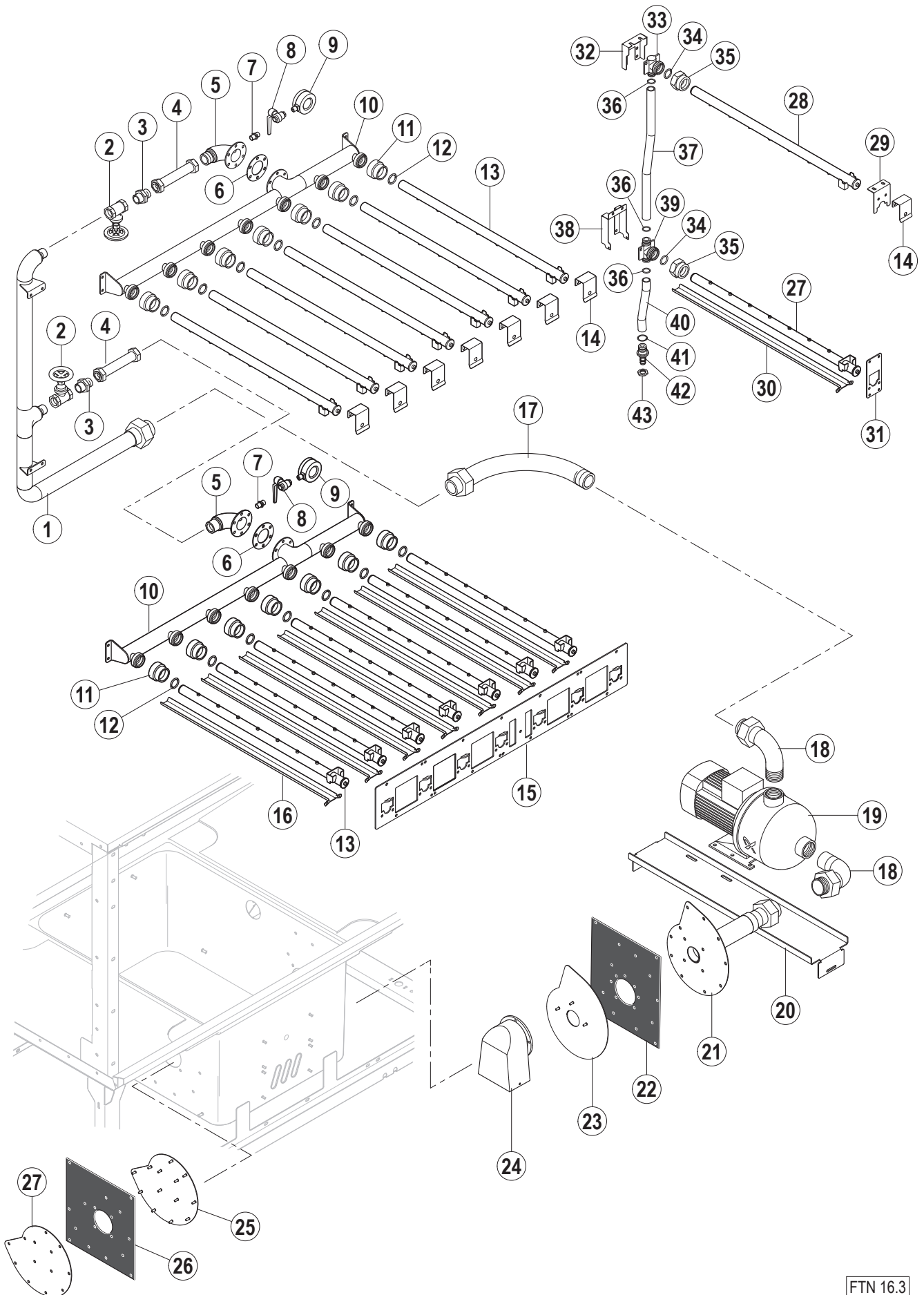
Pos.	A	B [mm]			C (D) [mm]	Bemerkung / Remarks / Remarques
		612	760	965		
01		01-245048-001	01-245522-001	---	400 (500)	
		01-245048-005	01-245522-005	---	560 (500)	
		01-245048-002	01-245522-002	---	400 (650)	
		01-245048-006	01-245522-006	---	560 (650)	
02		00-774808-001	=	---		
03		01-291308-009	01-291308-010	---		
04		01-245679-001	=	---		
05		00-325008-001	=	---		
06		00-325007-001	=	---		
07		01-245452-002	01-245452-003	---		
08		01-245324-001	01-245324-002	---		
09		01-245271-003	=	---	(500)	
		01-245271-005	=	---	(650)	
10		00-784356-001	=	---		
11		01-245118-001	=	---		
12		01-245190-004	=	---	(500)	
		01-245190-003	=	---	(650)	
13		01-240076-002	=	=		
14		00-276903-056	=	=		
15		00-324510-081	=	=		
16		00-898252-002	=	=		



Pos.	A	B [mm]			C (D) [mm]	Bemerkung / Remarks / Remarques
		612	760	965		
01	L/R	01-291311-001		---	400	THD1 el. beheizt / el. heated / chauffage él.
	R/L	01-291311-002		---	400	THD1 el. beheizt / el. heated / chauffage él.
	L/R	01-291311-003		---	560	THD1 el. beheizt / el. heated / chauffage él.
	R/L	01-291311-004		---	560	THD1 el. beheizt / el. heated / chauffage él.
	L/R	01-291311-005		---	400	THD2 el. beheizt / el. heated / chauffage él.
	R/L	01-291311-006		---	400	THD2 el. beheizt / el. heated / chauffage él.
	L/R	01-291311-007		---	560	THD2 el. beheizt / el. heated / chauffage él.
	R/L	01-291311-008		---	560	THD2 el. beheizt / el. heated / chauffage él.
	L/R	01-291311-009		---	400	THD1 dampfbeheizt / steam heated / chauffage vapeur
	R/L	01-291311-010		---	400	THD1 dampfbeheizt / steam heated / chauffage vapeur
	L/R	01-291311-011		---	560	THD1 dampfbeheizt / steam heated / chauffage vapeur
	R/L	01-291311-012		---	560	THD1 dampfbeheizt / steam heated / chauffage vapeur
	L/R	01-291311-013		---	400	THD2 dampfbeheizt / steam heated / chauffage vapeur
	R/L	01-291311-014		---	400	THD2 dampfbeheizt / steam heated / chauffage vapeur
	L/R	01-291311-015	01-291813-001	---	560	THD2 dampfbeheizt / steam heated / chauffage vapeur
	R/L	01-291311-016	01-291813-002	---	560	THD2 dampfbeheizt / steam heated / chauffage vapeur
02		00-775491-001	=	---		
03		01-245398-001	01-245398-007	---	400	
		01-245398-004	01-245398-010	---	560	
04		01-245396-001	01-245396-003	---		
05		01-245395-001	=	---		
06		01-245271-002	=	---		
07		01-245656-003	=	---		
08		01-291310-001	=	---		
09		01-291308-001	=	---	400	THD1
		01-291308-002	=	---	560	THD1
	L/R	01-291308-003	=	---	400	THD2
	R/L	01-291308-005	=	---	400	THD2
	L/R	01-291308-004	=	---	560	THD2
	R/L	01-291308-006	=	---	560	THD2
10		00-775227-002	=	---		
11		00-896939-002	=	---		
12		01-244492-001	=	---		
13		00-608992-000	=	---		
14		00-328008-001	=	---		
15		00-325007-001	=	---		
16		01-245190-002	=	---		
17		00-229679-011	=	---		
18		00-323593-002	=	---		
19		00-230080-002	=	---		
20		00-774683-001	=	---		
21		01-245294-001	=	---		
22		00-692283-002	=	---		
23		01-245107-001	=	---		
24		01-245340-004	=	---		
25		01-245109-001	=	---		
26		00-229679-017	=	---		
27		00-229519-000	=	---		
28		00-112467-000	=	---		
29		00-122674-000	=	---		

Pos.	A	B [mm]			C (D) [mm]	Bemerkung / Remarks / Remarques
		612	760	965		
30		00-602476-000	=	---		
31		01-245621-001	=	---		
32		01-245047-009	01-245047-010	---		
33		01-245170-010	=	---		Kunststoff / plastic / plastique
		01-245867-001	=	---		CrNi / SST / inox
34		00-885452-001	=	---		
35		00-609434-000	=	---		
36		01-245801-001	01-245801-002	---		
37		00-774808-001	=	---		
38		00-600614-000	=	---		
39		01-291335-001	=	---		
40		00-325224-009	00-325224-014	---		







**A** Laufrichtung  
Working direction  
Sens de marche

**B** Bandbreite  
Conveyor width  
Largeur du convoyeur

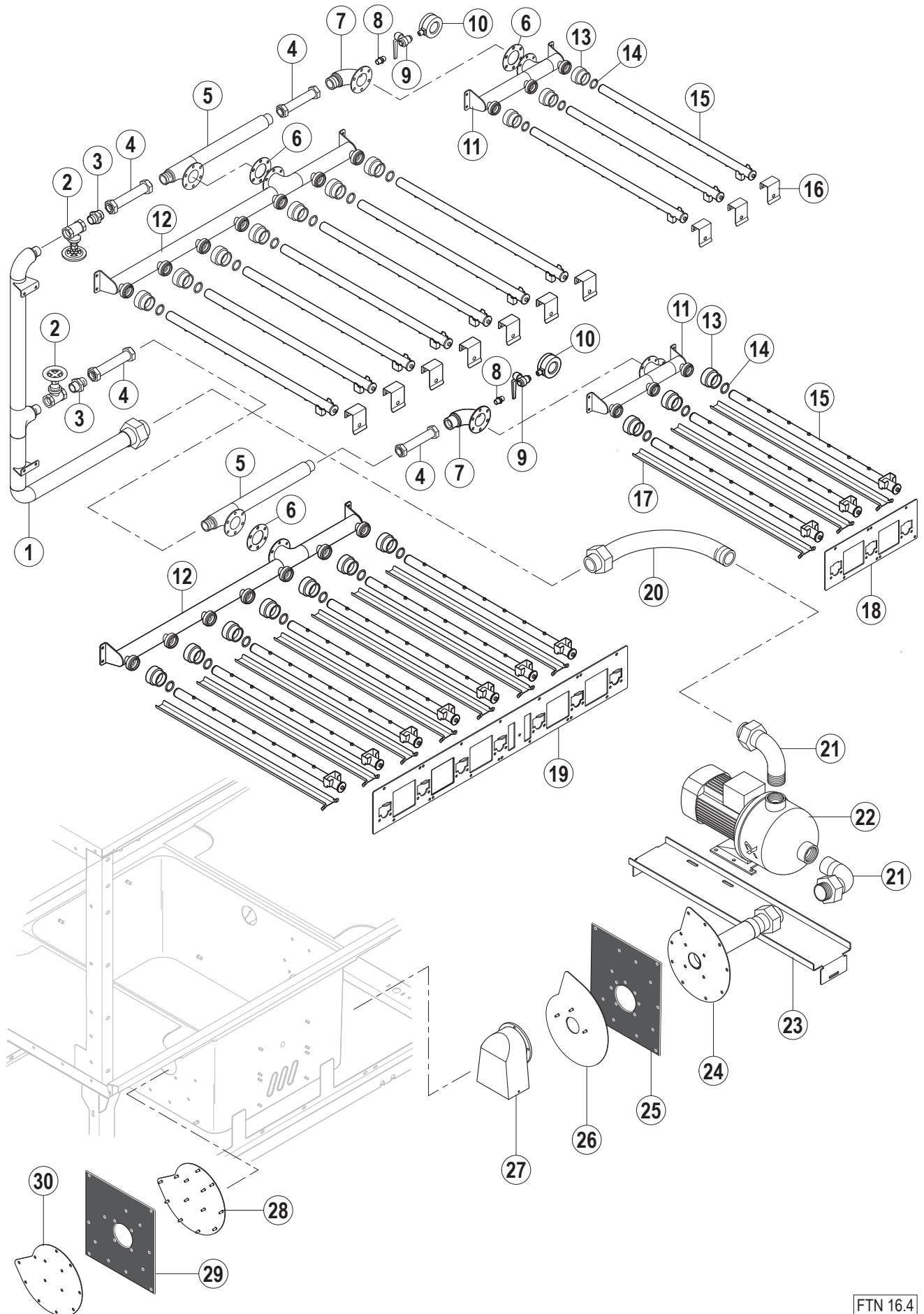
**C** Durchlaufhöhe  
Usable height  
Hauteur de passage

**D** Länge  
Length  
Longueur

Pos.	A	B [mm]			C (D) [mm]	Bemerkung / Remarks / Remarques
		612	760	965		
01	L/R	01-291265-001	=	---	400	
	R/L	01-291265-002	=	---	400	
	L/R	01-291265-003	=	---	560	
	R/L	01-291265-004	=	---	560	
02		00-774420-005	=	---		
03		00-771613-001	=	---		
04		00-774941-005	=	---		
05		01-291389-001	=	---		
06		00-896939-001	=	---		
07		00-603507-000	=	---		
08		00-303156-001	=	---		
09		00-229583-001	=	---		
10		00-896927-001	=	---		
11		00-896955-001	=	---		
12		00-884505-002	=	---		
13		01-291257-001	=	---		
14		01-245062-001	01-245062-002	---		
15		01-291263-001	=	---		
16		01-245058-004	01-245058-005	---		
17		01-291313-001	01-291313-002	---		
18		00-896995-001	=	---		
19		00-693222-001	00-693222-003	---		THD1
		00-693222-001	00-693222-005	---		THD2
20		01-291268-001	01-291268-002	---		
21		01-291267-001	=	---		
22		01-245386-001	=	---		
23		01-245780-004	=	---		
24		01-245738-001	=	---		
25		01-245780-003	=	---		
26		01-245765-001	=	---		
27		01-245255-001	01-245255-002	---		
28		01-245063-001	=	---		
29		01-245058-001	01-245058-002	---		
30		01-245059-001	=	---		
31		01-245320-002	=	---		
32		01-245743-002	=	---		
33		01-245318-002	=	---		
34		01-245340-002	=	---		
35		00-885572-001	=	---		
36		01-245340-001	=	---		
37		01-245323-001	=	---		
38		01-245319-001	=	---		
39		01-245318-001	=	---		
40		01-245322-001	=	---		THD 1
	L/R	01-245322-003	=	---		THD 2
	R/L	01-245322-002	=	---		THD 2
41		01-245340-002	=	---		
42		01-245329-001	=	---		
43		00-172739-009	=	---		
44		01-245780-001	=	---		









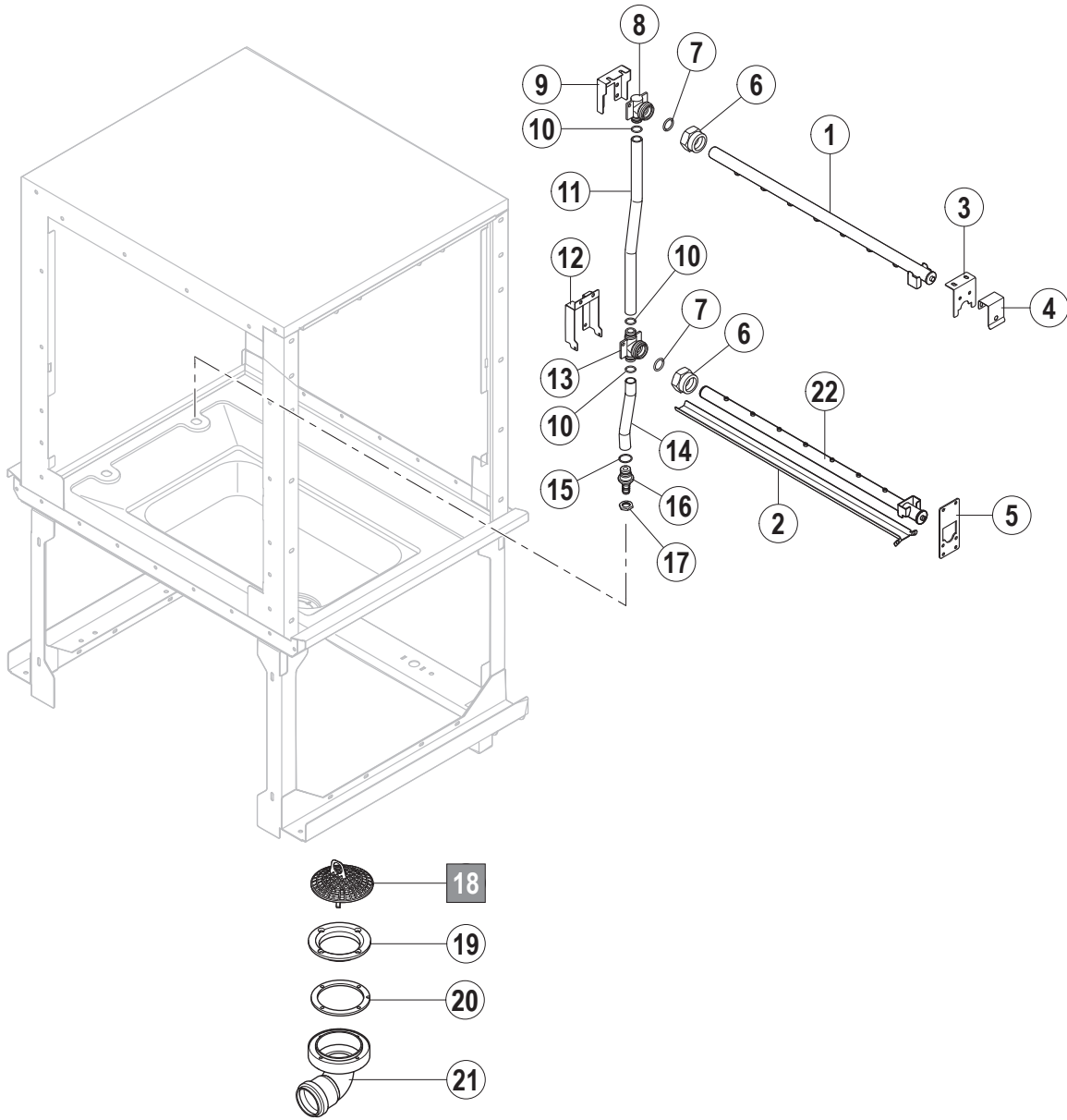
**A** Laufrichtung  
Working direction  
Sens de marche

**B** Bandbreite  
Conveyor width  
Largeur du convoyeur

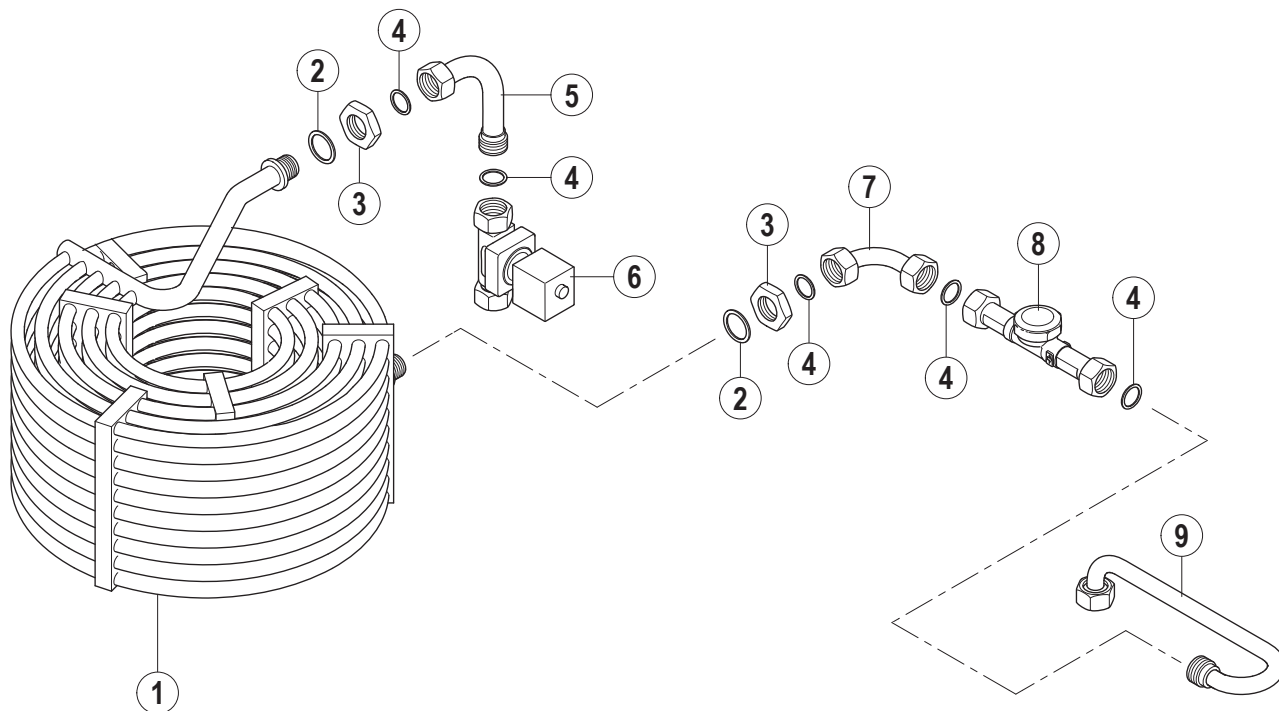
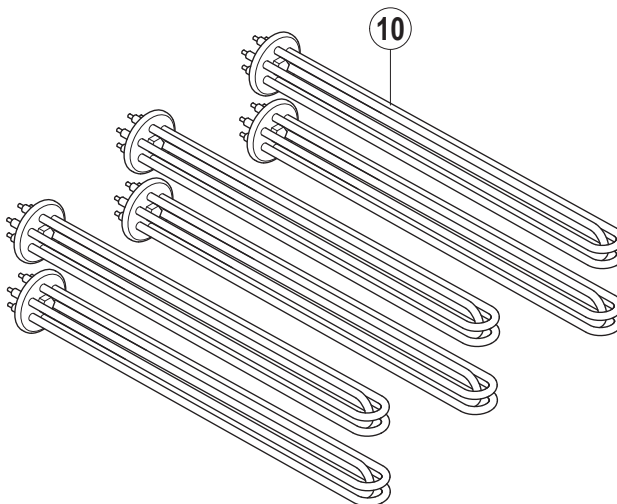
**C** Durchlaufhöhe  
Usable height  
Hauteur de passage

**D** Länge  
Length  
Longueur

Pos.	A	B [mm]			C (D) [mm]	Bemerkung / Remarks / Remarques
		612	760	965		
01	L/R	01-291265-005	=	---	400	
	R/L	01-291265-006	=	---	400	
	L/R	01-291265-007	=	---	560	
	R/L	01-291265-008	=	---	560	
02		00-774420-005	=	---		
03		00-771613-001	=	---		
04		00-774941-005	=	---		
05		01-291448-001	=	---		
06		00-896939-001	=	---		
07		01-291389-001	=	---		
08		00-603507-000	=	---		
09		00-303156-001	=	---		
10		00-229583-001	=	---		
11		00-896927-003	=	---		
12		00-896927-001	=	---		
13		00-896955-001	=	---		
14		00-884505-002	=	---		
15		01-291257-001	01-291257-002	---		
16		01-245062-001	=	---		
17		01-245058-004	01-245058-005	---		
18		01-291263-002	=	---		
19		01-291263-001	=	---		
20		01-291313-001	01-291313-002	---		
21		00-896955-001	=	---		
22		00-693222-001	00-693222-005	---		
23		01-291268-001	01-291268-002	---		
24		01-291267-001	=	---		
25		01-245386-001	=	---		
26		01-245780-004	=	---		
27		01-245738-001	=	---		
28		01-245780-003	=	---		
29		01-245765-001	=	---		
30		01-245779-003	=	---		



Pos.	A	B [mm]			C (D) [mm]	Bemerkung / Remarks / Remarques
		612	760	965		
01	L/R	01-245258-001	01-245258-002	---		DUO
	R/L	01-245258-001	01-245258-002	---		DUO
	L/R	01-245342-001	01-245342-003	---		TRIPLE PROFI
	R/L	01-245342-002	01-245342-004	---		TRIPLE PROFI
	L/R	01-245342-007	01-245342-009	---		TRIPLE PREMAX
	R/L	01-245342-008	01-245342-010	---		TRIPLE PREMAX
02		01-245058-001	01-245058-002	---		
03	L/R	01-245063-002	=	---		
	R/L	01-245063-001	=	---		
04		01-245062-001	=	---		
05	L/R	01-245059-002	=	---		
	R/L	01-245059-003	=	---		
06		00-885572-001	=	---		
07		00-884505-002	=	---		
08		01-245318-004	=	---		
09		01-245320-002	=	---		
10		01-245340-002	=	---		
11		01-245323-001	=	---	400	
		01-245323-002	=	---	560	
12		01-245319-001	=	---		
13		01-245318-003	=	---		
14		01-245322-001	=	---	(500)	
	L/R	01-245322-002	=	---	(650)	
	R/L	01-245322-003	=	---	(650)	
15		01-245340-002	=	---		
16		01-245329-001	=	---		
17		00-172739-009	=	---		
18		00-775750-001	=	---		
19		00-324053-000	=	---		
20		00-324056-000	=	---		
21		00-323802-001	=	---		
22		01-245258-001	01-245258-002	---		

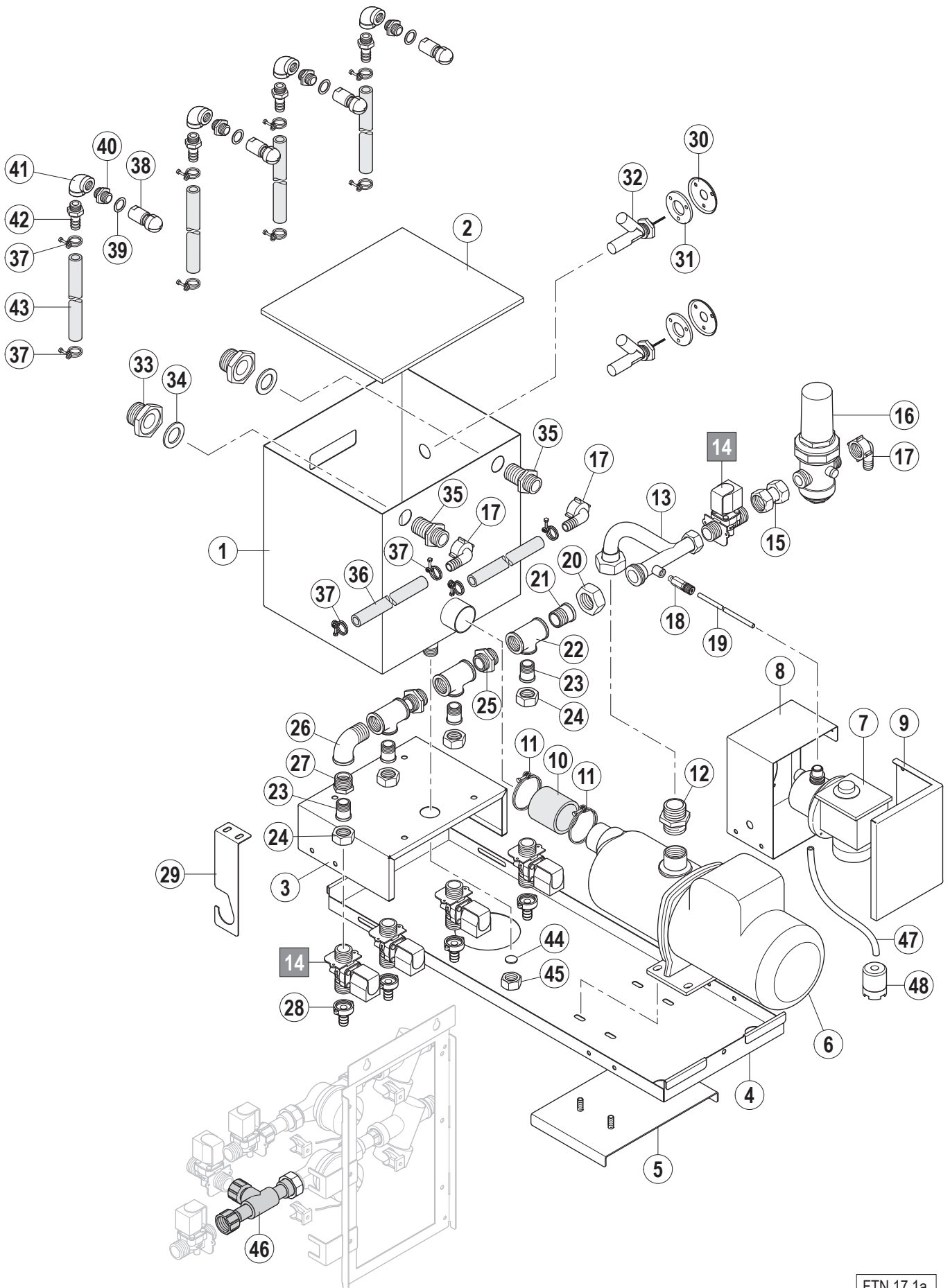
Dampfheizung  
Steam heating  
Chauffage vapeurElektroheizung  
Electric heating  
Chauffage électrique

Pos.	A	B [mm]			C (D) [mm]	Bemerkung / Remarks / Remarques
		612	760	965		
01		01-245668-012	=	---		
02		00-300084-010	=	---		
03		00-609698-000	=	---		
04		00-302574-014	=	---		
05		01-245628-003	=	---		
06		01-245593-001	=	---		
07		01-245634-002	=	---		
08		01-245603-001	=	---		
09		01-291695-001	=	---		
10		00-229148-062	=	---		



---

**FTN / FTP**  
**Reinigungsmanager**  
**Clean Assist**  
**Aide au nettoyage**



FTN 17.1a

Pos.	A	B [mm]			C (D) [mm]	Bemerkung / Remarks / Remarques
		612	760	965		
01		01-291153-002	=	=		
02		01-291152-002	=	=		
03		01-245847-001	=	=		
04		01-245846-001	01-245846-002	01-245846-003		
05		01-241884-002	=	=		
06		01-241885-001	=	=		bis 11.2011 / to 11.2011 / à 11/2011
		01-518264-001	=	=		ab 11.2011 / from 11.2011 / à partir de 11/2011
07		00-736157-001	=	=		
08		01-291043-001	=	=		
09		01-291044-001	=	=		
10		01-242811-001	=	=		
11		00-323945-064	=	=		
12		00-699068-003	=	=		
13		01-291007-001	=	=		
14		00-734242-001	=	=		
15		01-244417-001	=	=		
16		00-229110-002	=	=		
17		00-299240-001	=	=		
18		01-296461-001	=	=		
19		01-246301-008	=	=		
20		00-609371-000	=	=		
21		00-602403-000	=	=		
22		00-603165-000	=	=		
23		00-602402-000	=	=		
24		00-600805-000	=	=		
25		00-227931-000	=	=		
26		00-602770-000	=	=		
27		00-603073-000	=	=		
28		00-302201-001	=	=		
29		01-291277-001	=	=		
30		00-774010-001	=	=		
31		00-774034-001	=	=		
32		00-735171-002	=	=		
33		00-774670-001	=	=		
34		00-172986-027	=	=		
35		01-245850-001	=	=		
36		01-245571-001	=	=		
37		00-323945-022	=	=		
38		01-245600-001	=	=		
39		00-172986-034	=	=		
40		01-245767-001	=	=		
41		00-609679-000	=	=		
42		00-609678-000	=	=		
43		01-245571-004	=	=		
44		00-168611-022	=	=		
45		00-600588-000	=	=		
46		01-291004-005	=	=		PREMAX
47		01-246301-005	=	=		
48		00-775239-001	=	=		

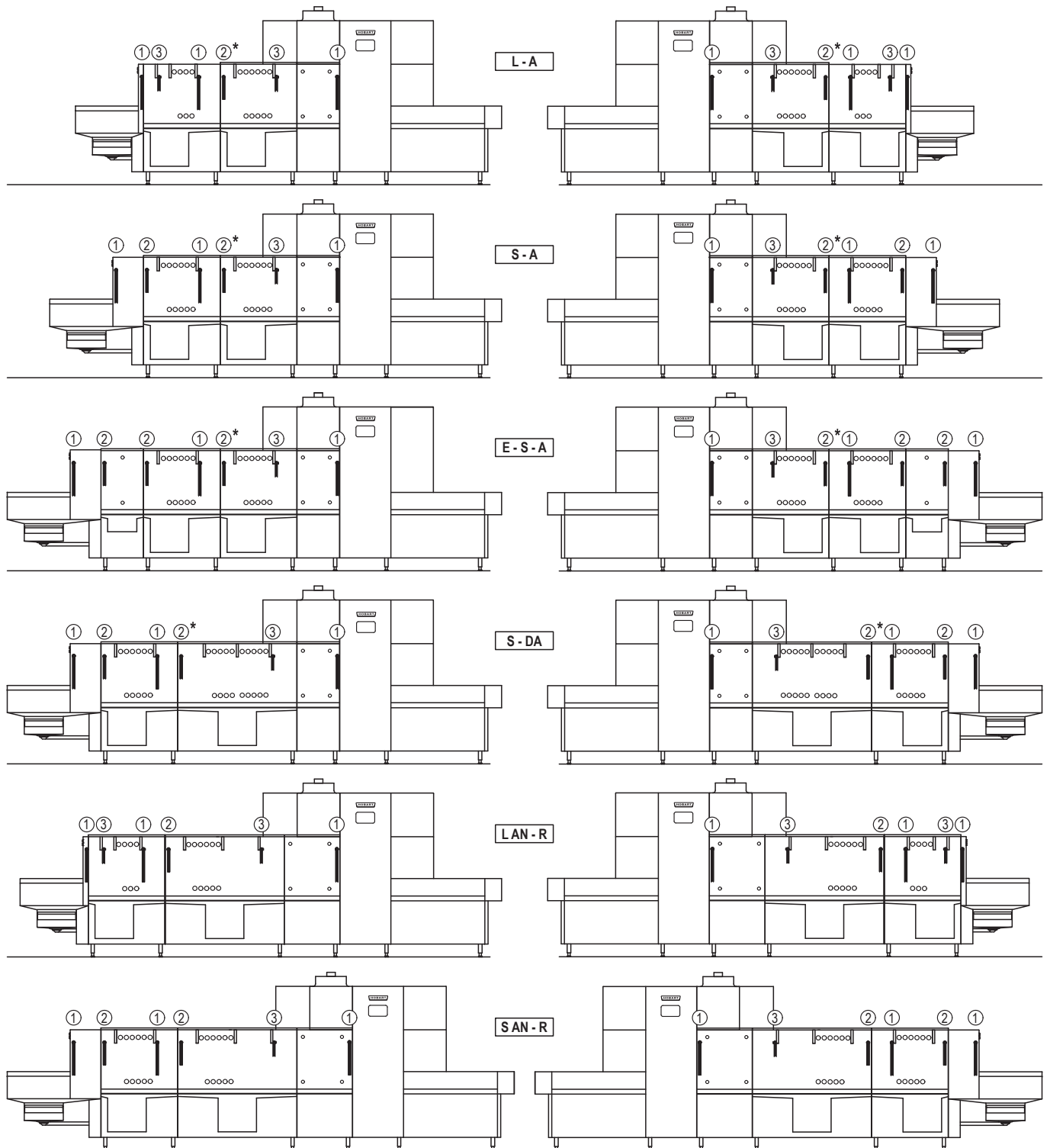


**FTN / FTP**

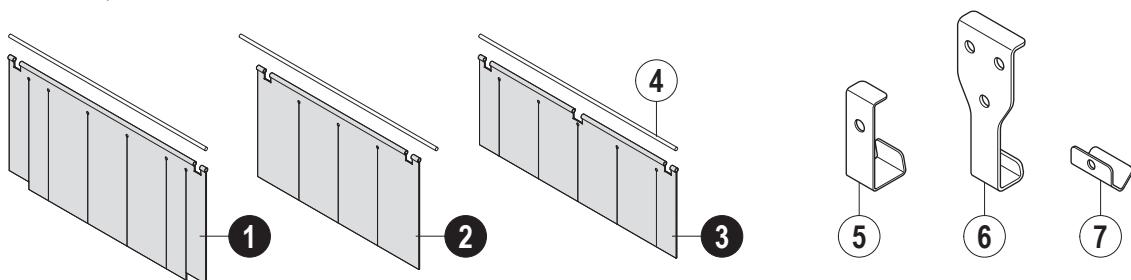
**Vorhänge**

**Curtains**

**Rideaux**



②\* Vorhang an Trennstelle entfällt bei: / Curtain at split point not applicable with: / Pas de rideau à la zone de section pour machines:  
FTN - Profi; FTP - Premax mit / with / avec FHP 18



Pos.	A	B [mm]			C (D) [mm]	Bemerkung / Remarks / Remarques
		612	760	965		
01		01-245398-001	01-245398-007	01-245398-013	400	
		01-245398-004	01-245398-010	01-245398-016	560	
02		01-245398-002	01-245398-008	01-245398-014	400	
		01-245398-005	01-245398-011	01-245398-017	560	
03		01-245398-003	01-245398-009	01-245398-015	400	
		01-245398-006	01-245398-012	01-245398-018	560	
04		01-245396-001	01-245396-003	01-245396-005		
05		01-245498-001	=	=		
06		01-245395-001	=	=		
07		01-245941-001	=	=		

HOBART behält sich das Recht vor, an allen Produkten technische Änderungen und Verbesserungen ohne Ankündigung vorzunehmen.

As continued product improvement is a policy of HOBART, specifications are subject to change without notice.

Ce catalogue n'est pas contractuel. HOBART se réserve le droit, et sans préavis, d'apporter toutes modifications ou améliorations à ses matériels.