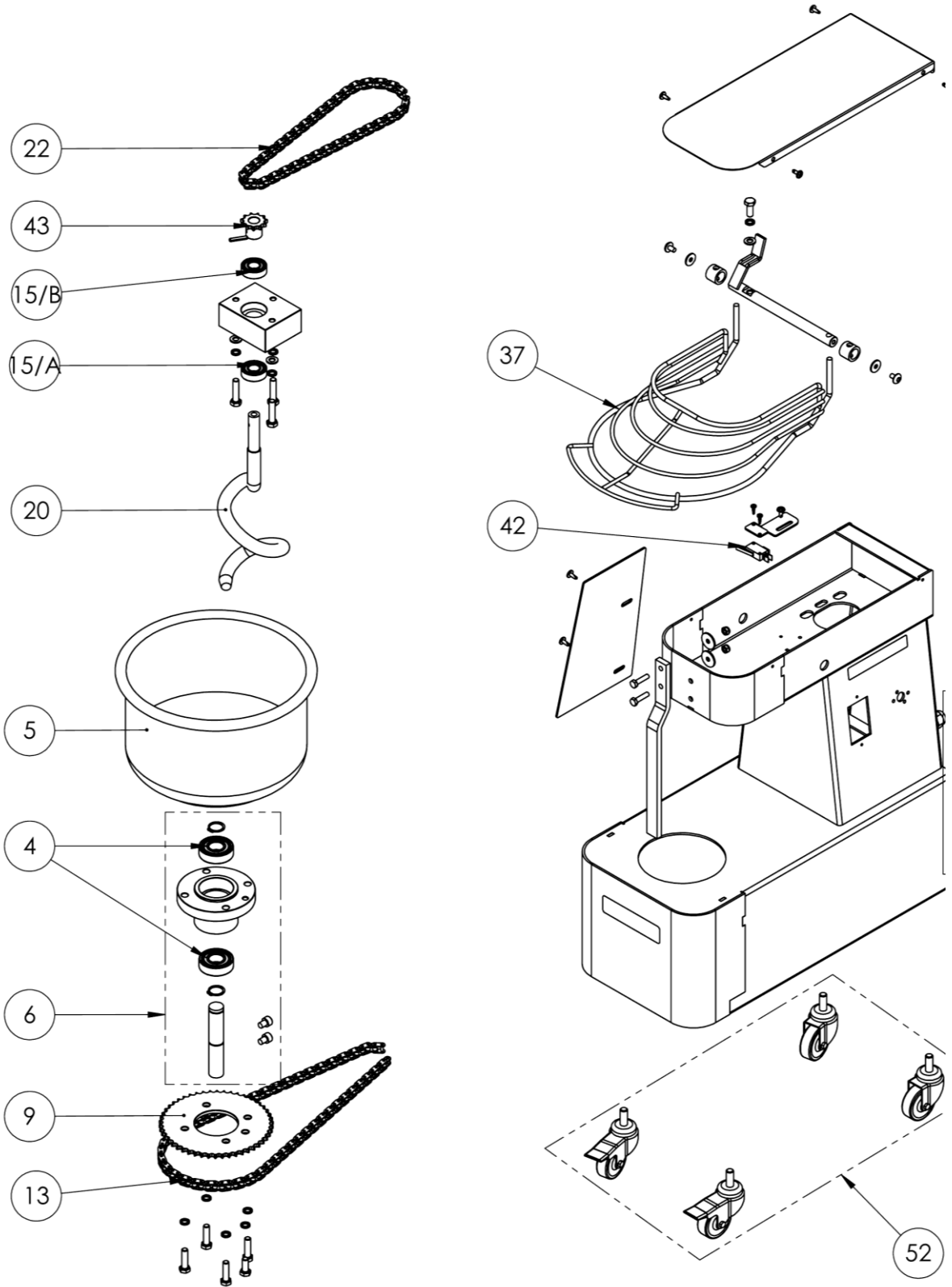
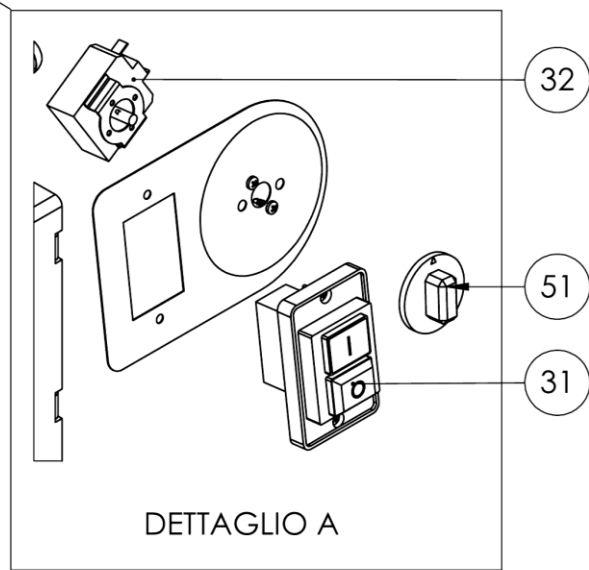
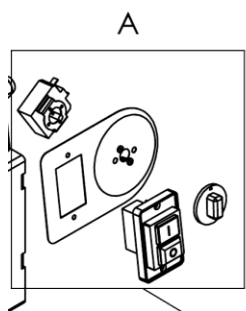
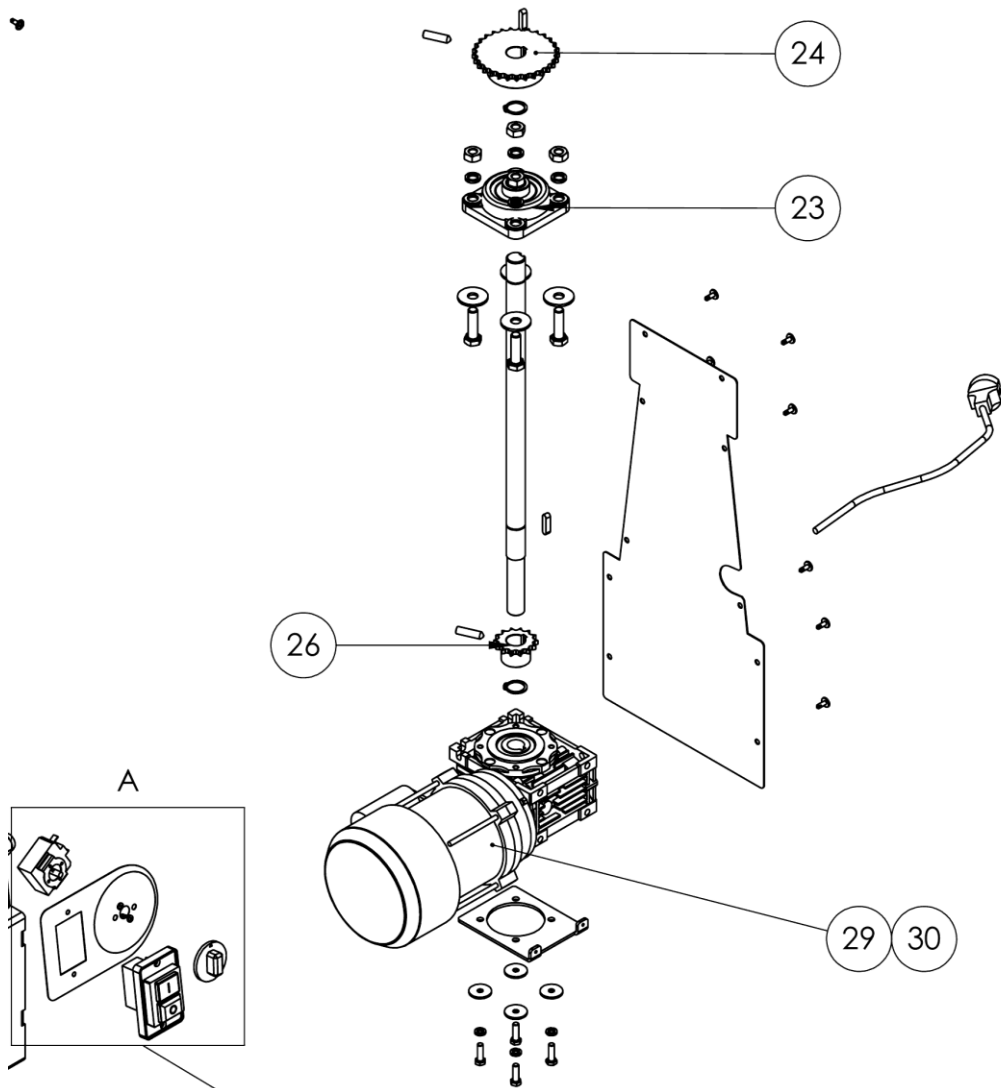
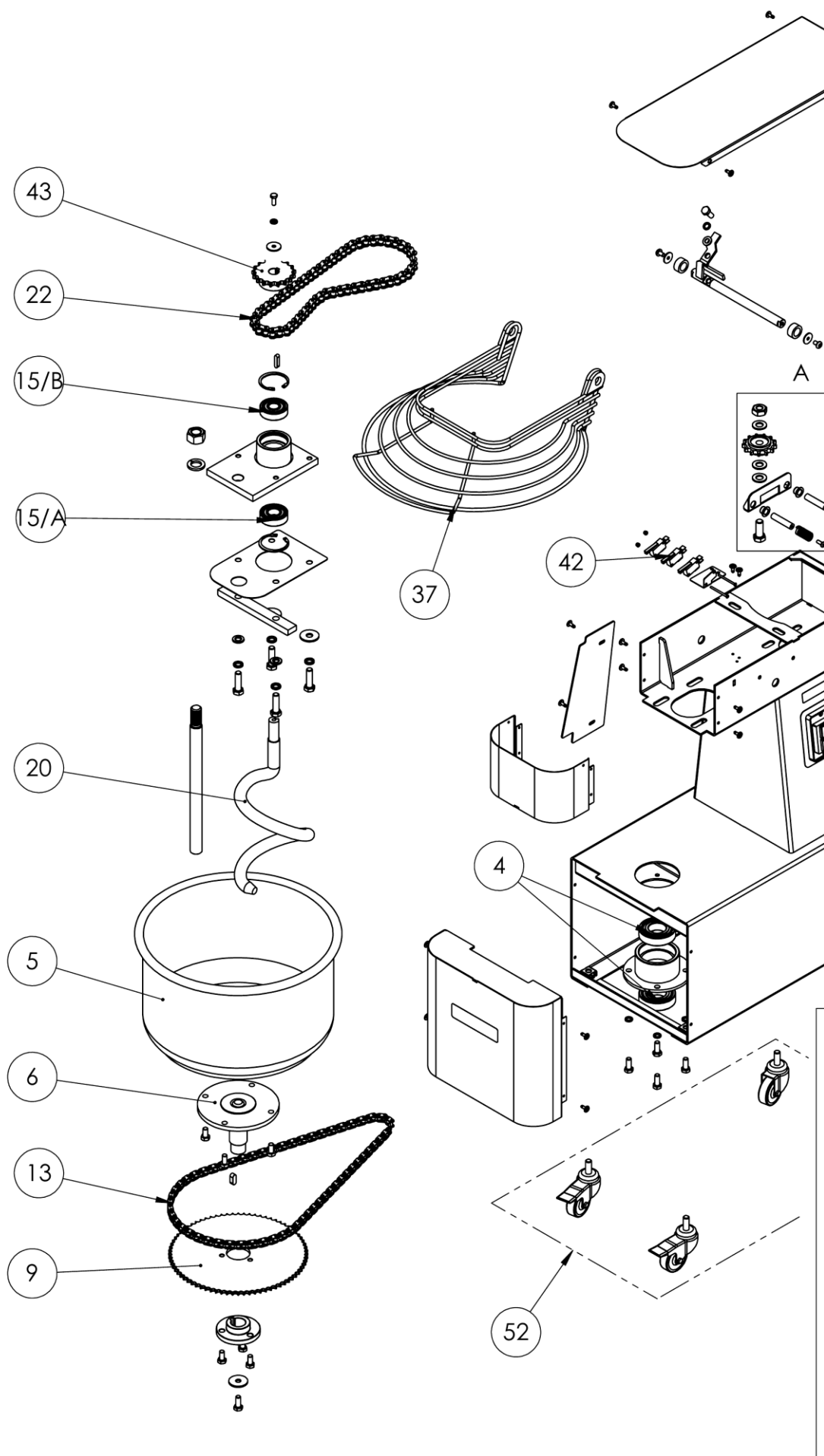


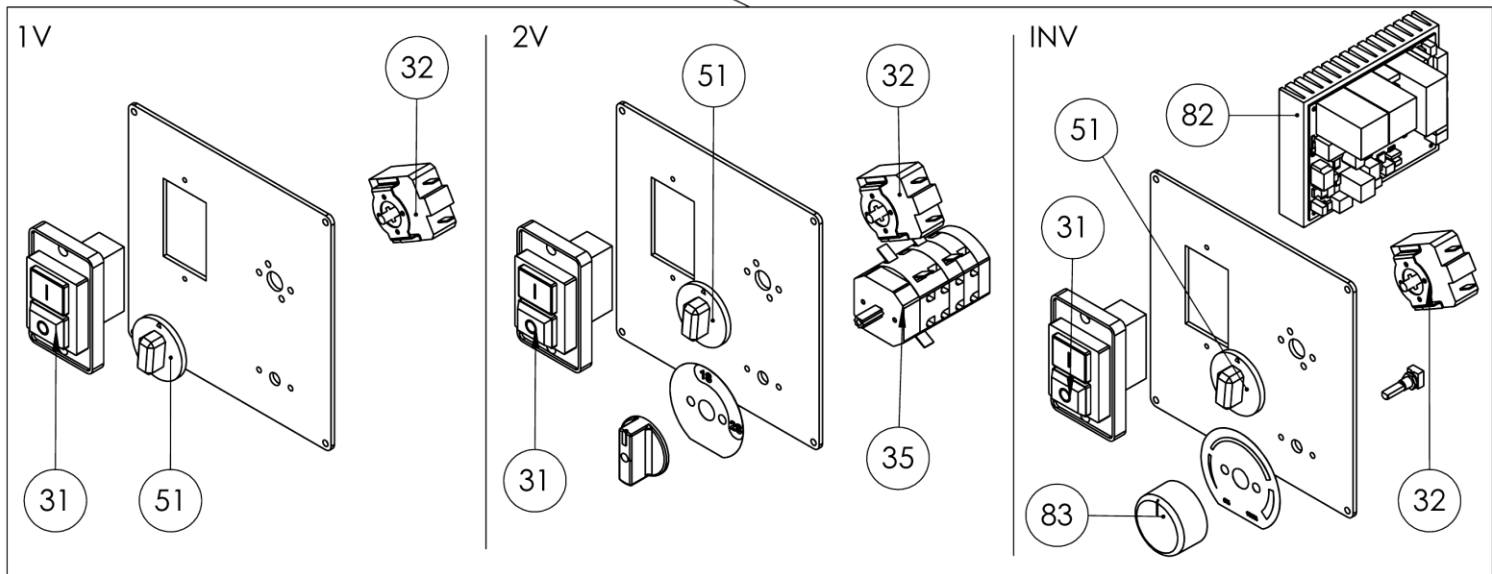
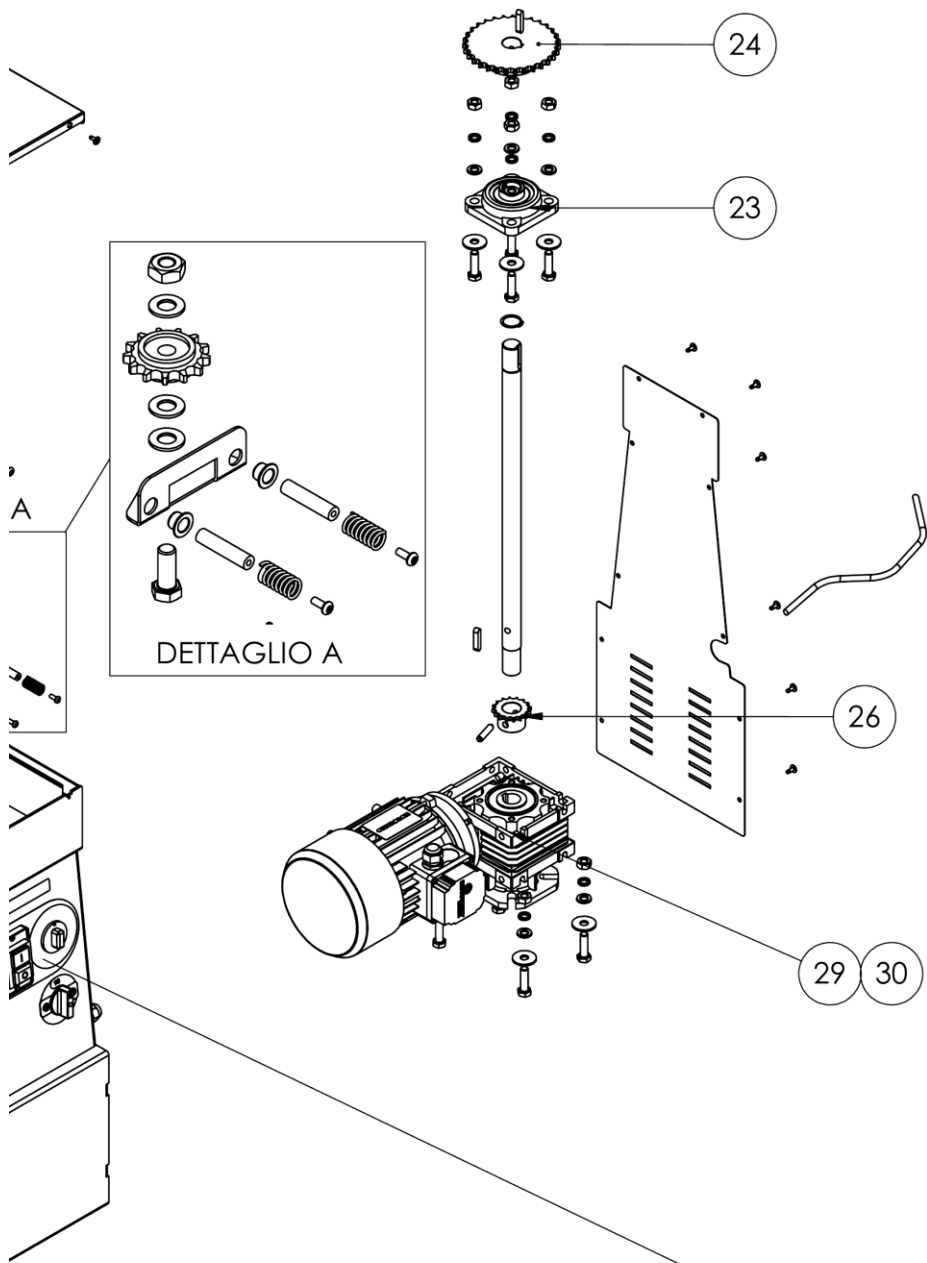
# EXPLODED VIEW

EXPLODED FIXED 5-10

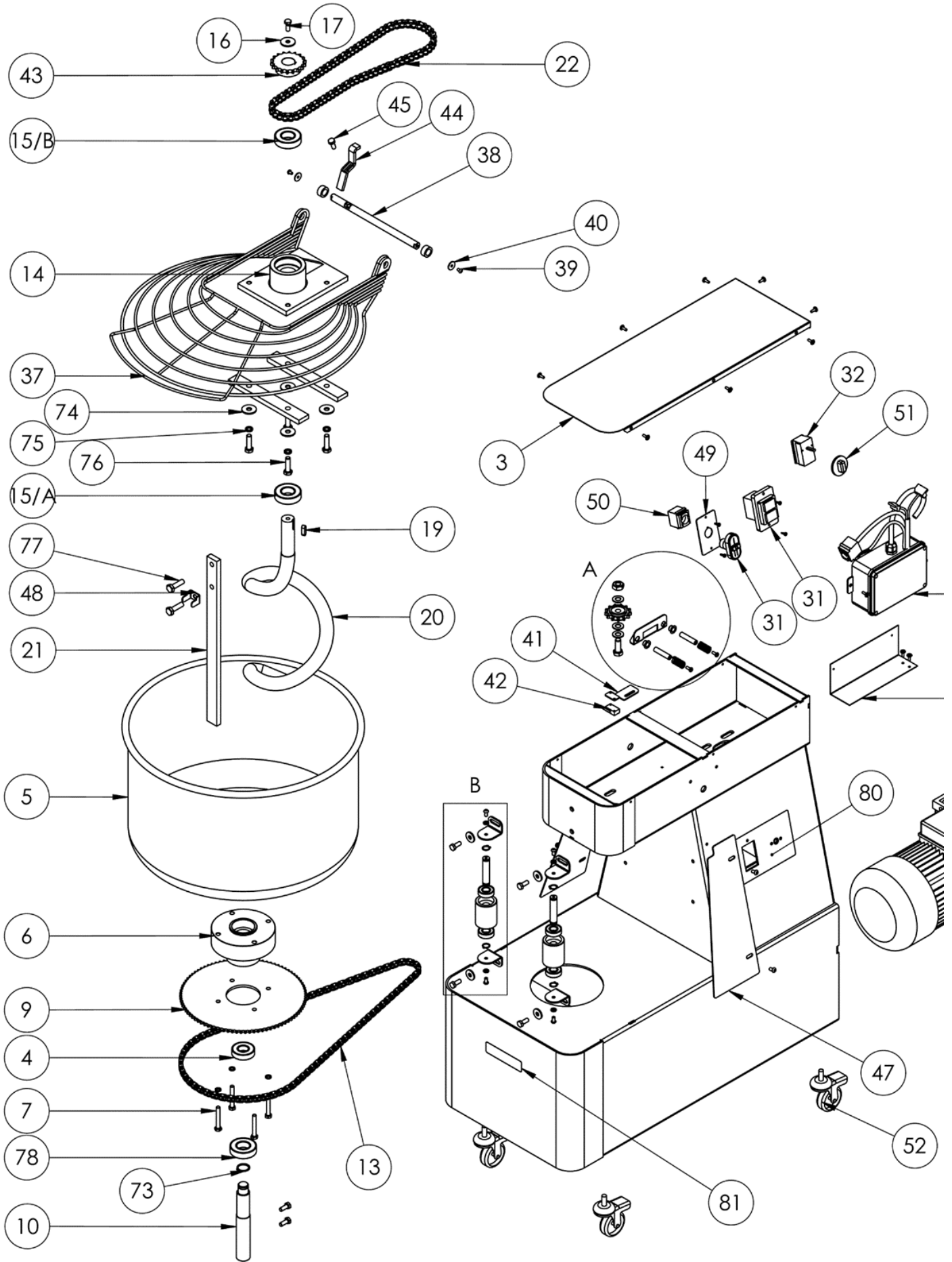


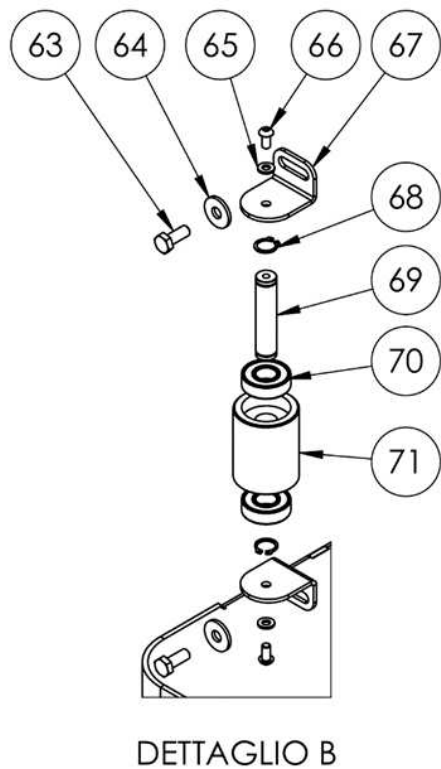
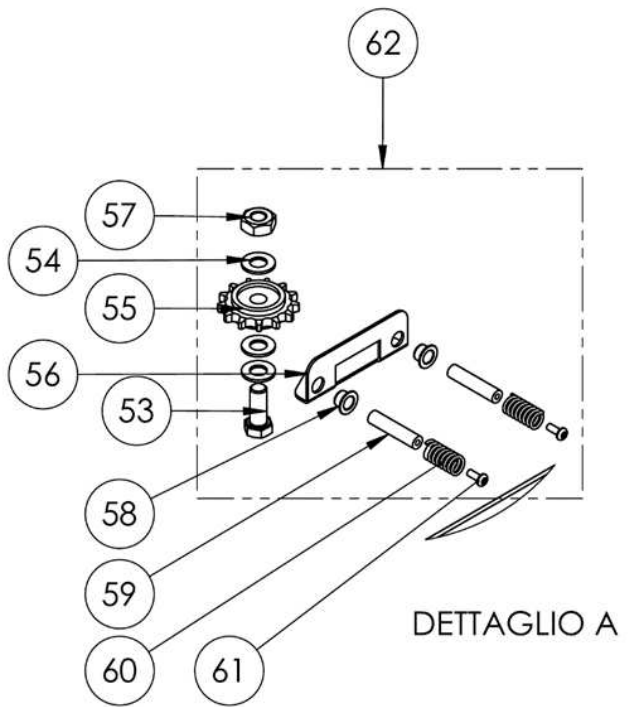
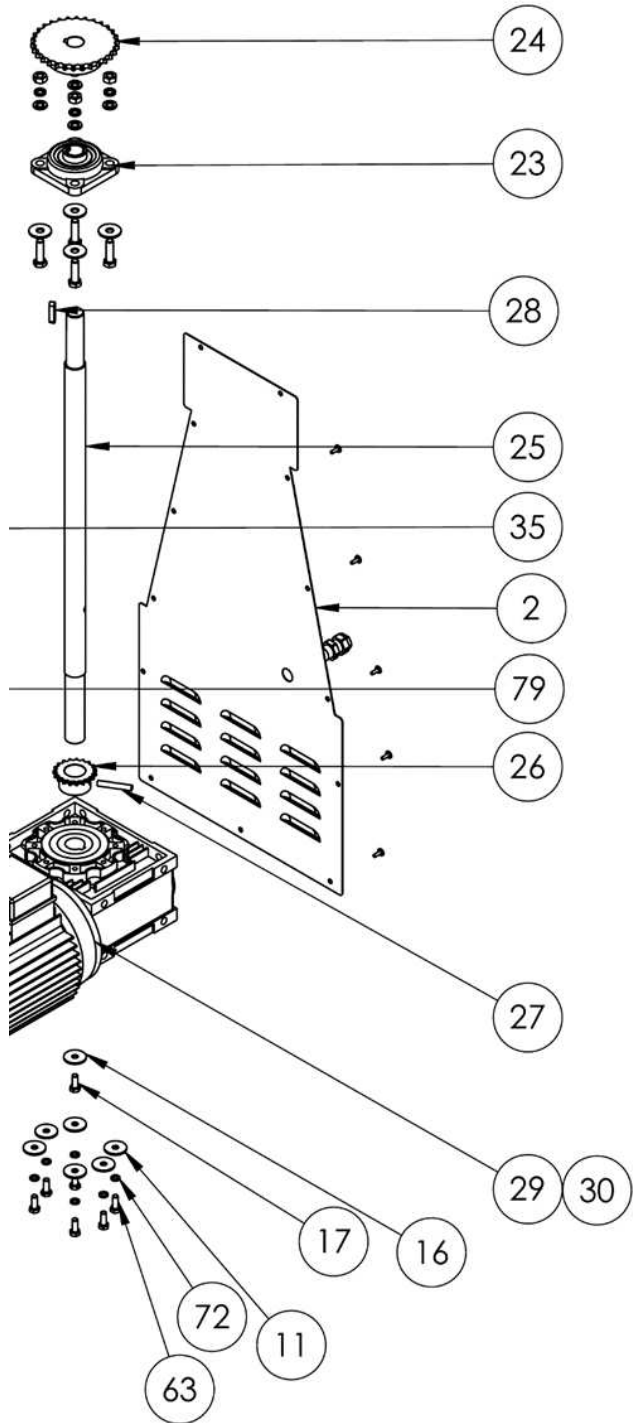


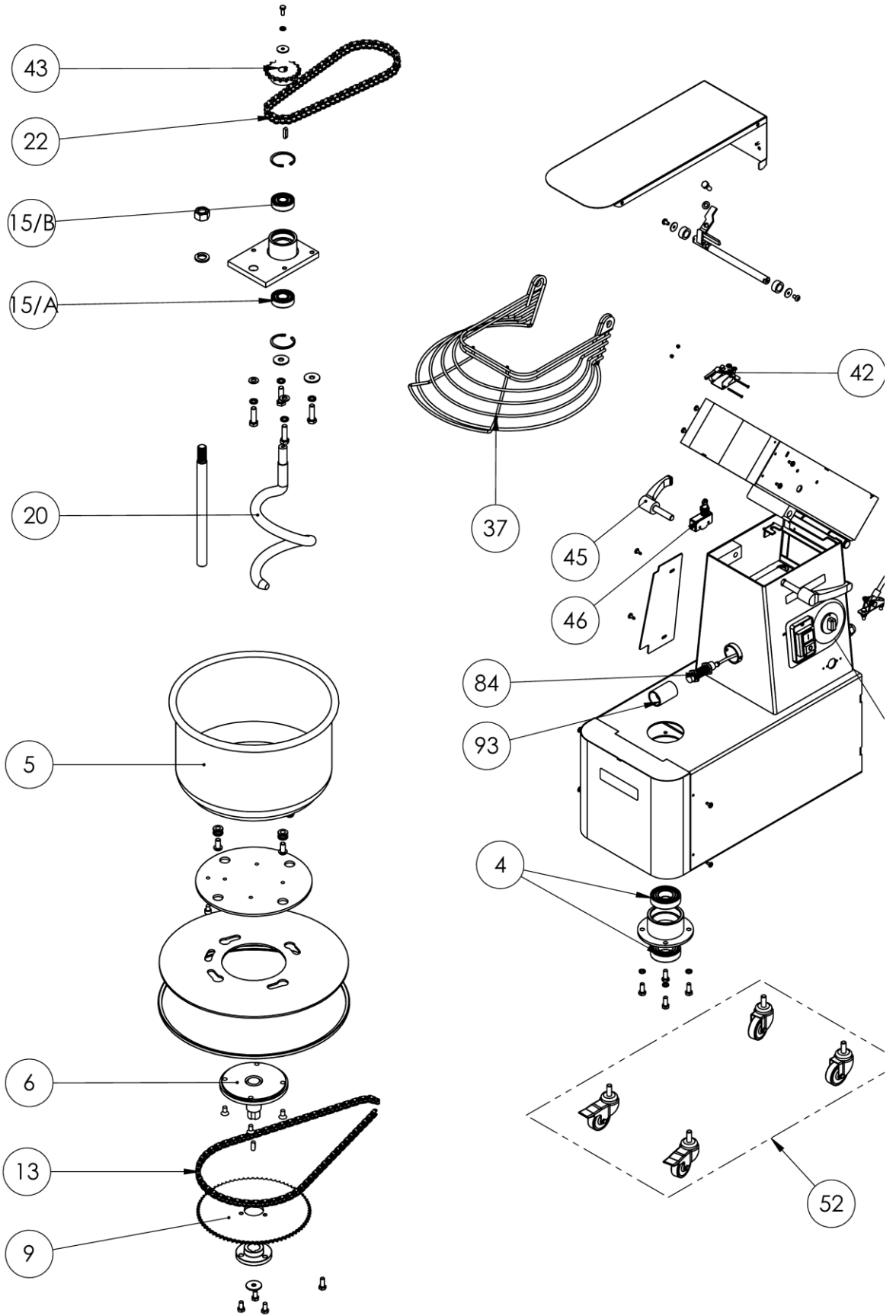


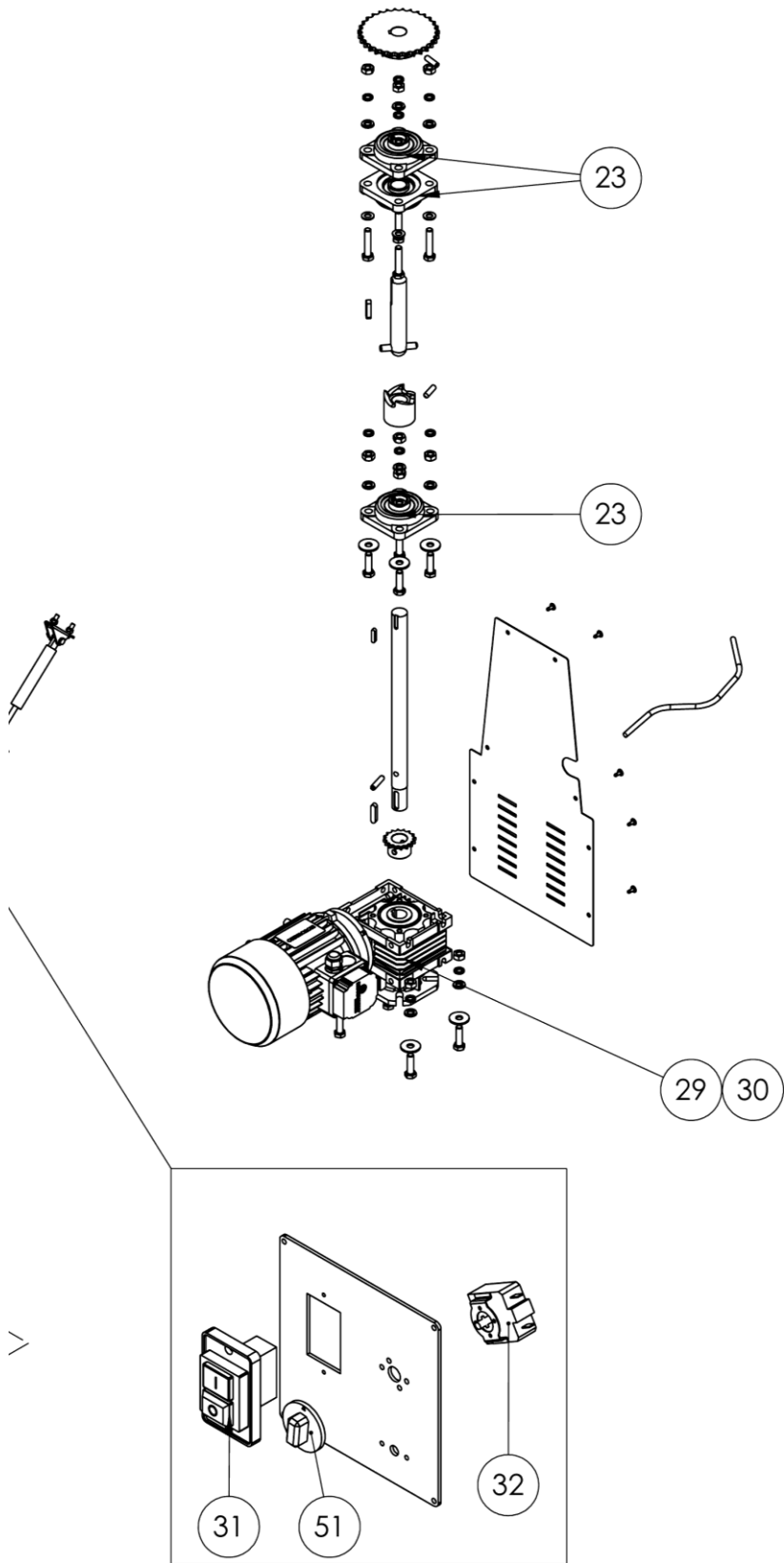


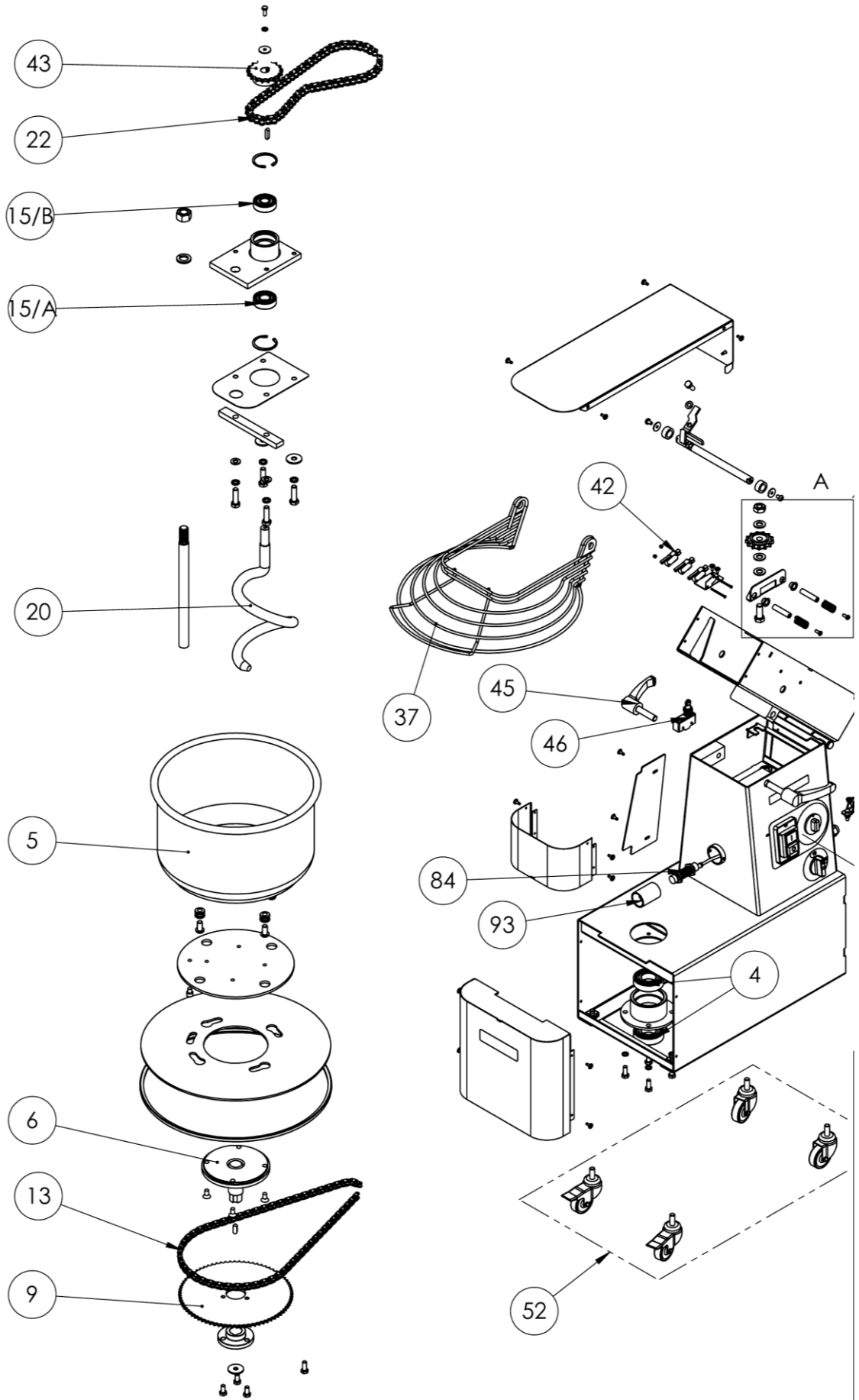
EXPLODED FIXED 60

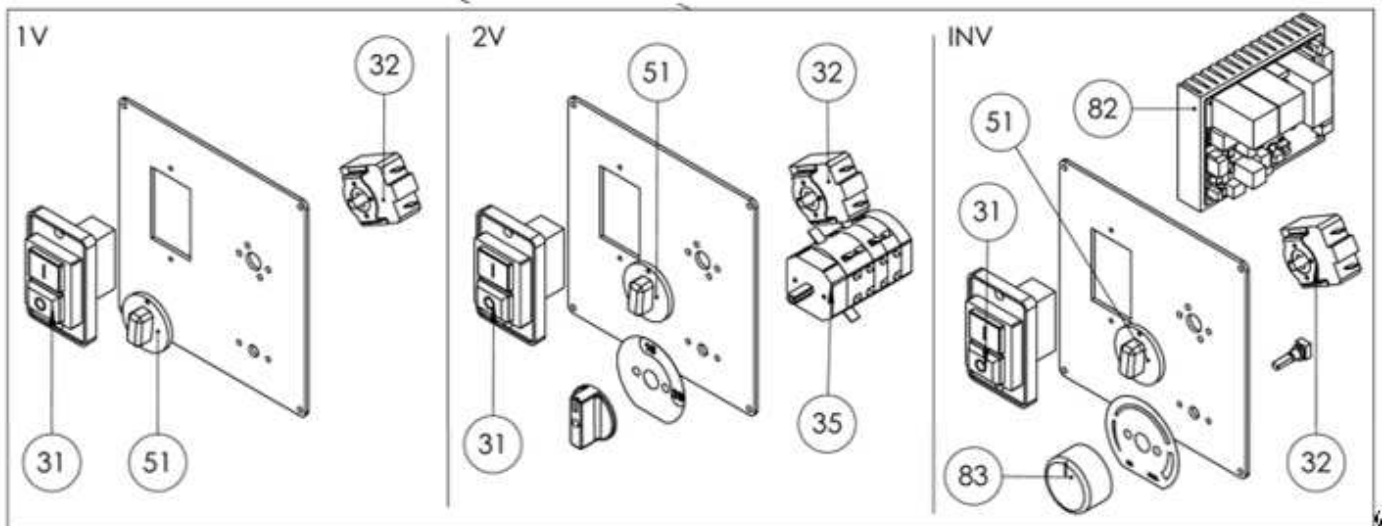
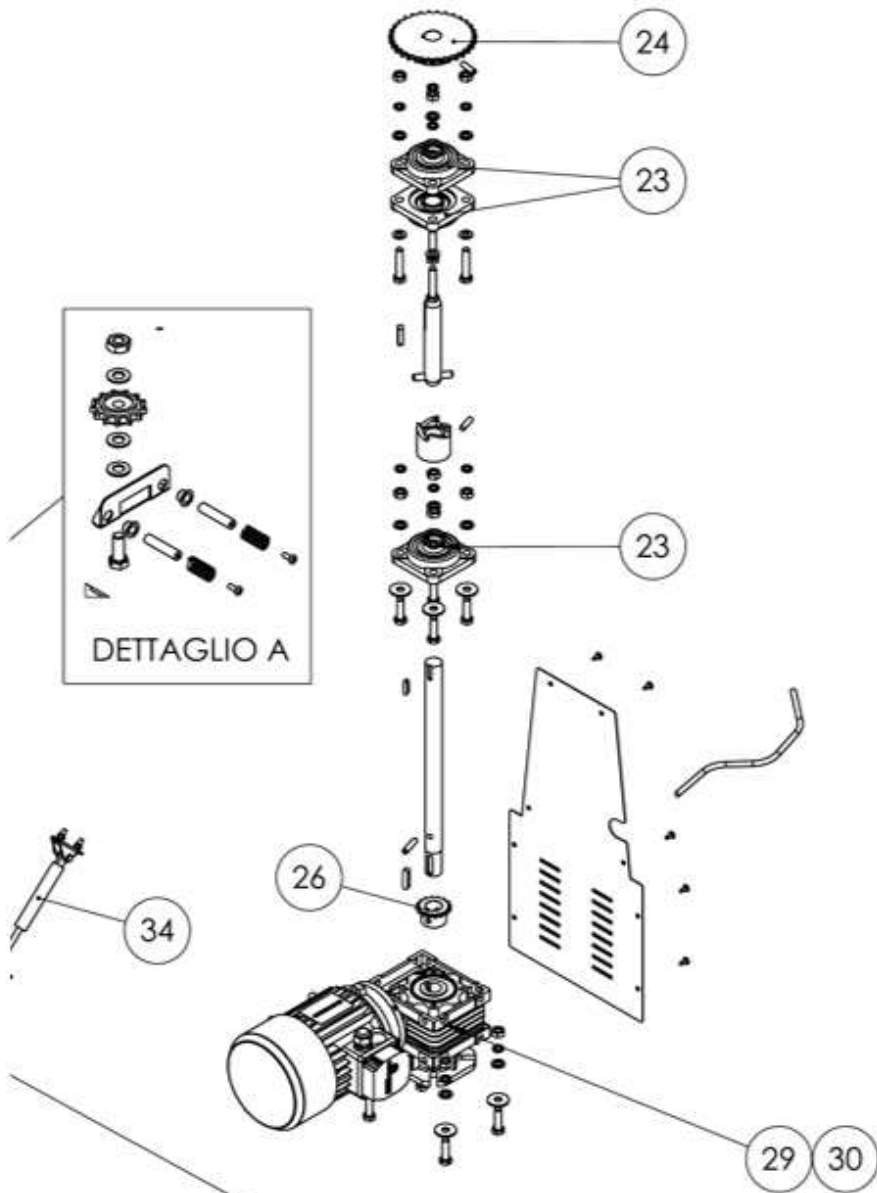












RIF.	5 50Hz	10 50Hz	15 50Hz	15 3PH 50Hz	15 3PH 2V 50Hz	15 2V 230V/3PH 50Hz	20 50Hz	20 3PH 50Hz	20 3PH 2V 50Hz	20 2V 230V/3PH 50Hz	30 50Hz	30 3PH 50Hz	30 3PH 2V 50Hz	30 2V 230V/3PH 50Hz
4	-	-	5C030012	5C030012	5C030012	5C030012	5C030012	5C030012	5C030012	5C030012	5C030012	5C030012	5C030012	5C030012
5	5V010512	5V010510	5V010514	5V010514	5V010514	5V010514	5V010505	5V010505	5V010505	5V010505	5V010505	5V010506	5V010506	5V010506
6	7A010520	7A010520	7S010012	7S010012	7S010012	7S010012	7S010012	7S010012	7S010012	7S010012	7S010009	7S010009	7S010009	7S010009
9	5030502	5030502	5C030501	5C030501	5C030501	5C030501	5C030501	5C030501	5C030501	5C030501	5C030500	5C030500	5C030500	5C030500
9 (+h2o)	5030502	5030502	5C030501	5C030501	5C030501	5C030501	5C030501	5C030501	5C030501	5C030501	5C030500	5C030500	5C030500	5C030500
9 (INV)			5C030513	5C030513	5C030513	5C030513	5C030513	5C030513	5C030513	5C030513	5C030508	5C030508	5C030508	5C030508
13	5C020109	5C020109	5C020100	5C020100	5C020100	5C020100	5C020100	5C020100	5C020100	5C020100	5C020101	5C020101	5C020101	5C020101
13(+h2o)	5C020109	5C020109	5C020100	5C020100	5C020100	5C020100	5C020100	5C020100	5C020100	5C020100	5C020101	5C020101	5C020101	5C020101
13 (INV)			5C020135	5C020135	5C020135	5C020135	5C020135	5C020135	5C020135	5C020135	5C020138	5C020138	5C020138	5C020138
15/A	5C030014	5C030014	5C030011+ 5S500100	5C030011+ 5S500100	5C030011+ 5S500100	5C030011+ 5S500100	5C030011+ 5S500100	5C030011+ 5S500100	5C030011+ 5S500100	5C030011+ 5S500100	5C030013+ 5S500110	5C030013+ 5S500110	5C030013+ 5S500110	5C030013+ 5S500110
15/B	5C030014	5C030014	5C030010+ 5S500100	5C030010+ 5S500100	5C030010+ 5S500100	5C030010+ 5S500100	5C030010+ 5S500100	5C030010+ 5S500100	5C030010+ 5S500100	5C030010+ 5S500100	5C030011+ 5S500100	5C030011+ 5S500100	5C030011+ 5S500100	5C030011+ 5S500100
20	5S080004	5S080004	5S080000	5S080000	5S080000	5S080000	5S080000	5S080000	5S080000	5S080000	5S080001	5S080001	5S080001	5S080001
22	5C020110	5C020110	5C020113	5C020113	5C020113	5C020113	5C020107	5C020107	5C020107	5C020107	5C020139	5C020139	5C020139	5C020139
22(+h2o)	5C020110	5C020110	5C020107	5C020107	5C020107	5C020107	5C020105	5C020105	5C020105	5C020105	5C020107	5C020107	5C020107	5C020107
22 (INV)			5C020113	5C020113	5C020113	5C020113	5C020107	5C020107	5C020107	5C020107	5C020139	5C020139	5C020139	5C020139
23	5S030009	5S030009	5S030010	5S030010	5S030010	5S030010	5S030010	5S030010	5S030010	5S030010	5S030010	5S030010	5S030010	5S030010
24	5P030009	5P030009	5P030000	5P030000	5P030000	5P030000	5P030000	5P030000	5P030000	5P030000	5P030000	5P030000	5P030000	5P030000
24 (INV)			5P030033	5P030033	5P030033	5P030033	5P030033	5P030033	5P030033	5P030033	5P030036	5P030036	5P030036	5P030036
26	5P030008	5P030008	5P030005	5P030005	5P030005	5P030005	5P030005	5P030005	5P030005	5P030005	5P030006	5P030006	5P030006	5P030006
26 (INV)			5P030005	5P030005	5P030005	5P030005	5P030005	5P030005	5P030005	5P030005	5P030006	5P030006	5P030006	5P030006
29/30	5M010010	5M010010	5M010501	5M010500	5M010502	5M010513	5M010501	5M010500	5M010502	5M010513	5M010506	5M010505	5M010507	5M010508
31	5I100041	5I100041	5I100041	5I100031	5I100031	5I100031	5I100041	5I100031	5I100031	5I100031	5I100041	5I100031	5I100031	5I100031
32	5T010305	5T010305	5T010305	5T010305	5T010305	5T010305	5T010305	5T010305	5T010305	5T010305	5T010305	5T010305	5T010305	5T010305
35	-	-	-	-	5C010650 + 5M200009	5C010650 + 5M200009	-	-	5C010650 + 5M200009	5C010650 + 5M200009	-	-	5C010650 + 5M200009	5C010650 + 5M200009
37	5G080004	5G080004	5G080000	5G080000	5G080000	5G080000	5G080000	5G080000	5G080000	5G080000	5G080001	5G080001	5G080001	5G080001
42	5M050500	5M050500	5M050500	5M050500	5M050500	5M050500	5M050500	5M050500	5M050500	5M050500	5M050500	5M050500	5M050500	5M050500
43	5P030007	5P030007	5P030010	5P030010	5P030010	5P030010	5P030010	5P030010	5P030010	5P030010	5P030011	5P030011	5P030011	5P030011
43(+h2o)	5P030007	5P030007	5P030026	5P030026	5P030026	5P030026	5P030026	5P030026	5P030026	5P030026	5P030027	5P030027	5P030027	5P030027
43 (INV)			5P030040	5P030040	5P030040	5P030040	5P030040	5P030040	5P030040	5P030040	5P030039	5P030039	5P030039	5P030039
51	5M200014	5M200014	5M200014	5M200014	5M200014	5M200014	5M200014	5M200014	5M200014	5M200014	5M200014	5M200014	5M200014	5M200014
52	8K010001	8K010001	8K010001	8K010001	8K010001	8K010001	8K010001	8K010001	8K010001	8K010001	8K010001	8K010001	8K010001	8K010001
82			5I030200	5I030200	5I030200	5I030200	5I030200	5I030200	5I030200	5I030200	5I030201	5I030201	5I030201	5I030201
83			5P100105	5P100105	5P100105	5P100105	5P100105	5P100105	5P100105	5P100105	5P100105	5P100105	5P100105	5P100105

RIF.	40 50Hz	40 3PH 50Hz	40 3PH 2V 50Hz	40 2V 230V/3PH 50Hz	50 50Hz	50 3PH 50Hz	50 3PH 2V 50Hz	50 2V 230V/3PH 50Hz	60 3PH 50Hz	60 3PH 2V 50Hz	60 2V 230V/3PH 50Hz
4	5C030012	5C030012	5C030012	5C030012	5C030012	5C030012	5C030012	5C030012	5C030013	5C030013	5C030013
5	5V010507	5V010507	5V010507	5V010507	5V010508	5V010508	5V010508	5V010508	5V010515	5V010515	5V010515
6	7S010009	7S010009	7S010009	7S010009	7S010010 + 4F050015	7S010010 + 4F050015	7S010010 + 4F050015	7S010010 + 4F050015	3S010120	3S010120	3S010120
9	5C030500	5C030500	5C030500	5C030500	5C030500	5C030500	5C030500	5C030500	5C030505	5C030505	5C030505
9 (+h2o)	5C030500	5C030500	5C030500	5C030500	5C030500	5C030500	5C030500	5C030500	5C030507	5C030507	5C030507
9 (INV)	5C030508	5C030508	5C030508	5C030508	5C030508	5C030508	5C030508	5C030508	5C030505	5C030505	5C030505
13	5C020102	5C020102	5C020102	5C020102	5C020102	5C020102	5C020102	5C020102	5C020111	5C020111	5C020111
13(+h2o)	5C020102	5C020102	5C020102	5C020102	5C020102	5C020102	5C020102	5C020102	5C0201__	5C0201__	5C0201__
13 (INV)	5C020100	5C020100	5C020100	5C020100	5C020100	5C020100	5C020100	5C020100	5C020131	5C020131	5C020131
15/A	5C030013+ 5S500110	5C030013+ 5S500110	5C030013+ 5S500110	5C030013+ 5S500110	5C030013+ 5S500110	5C030013+ 5S500110	5C030013+ 5S500110	5C030013+ 5S500110	5C030017	5C030017	5C030017
15/B	5C030011+ 5S500100	5C030011+ 5S500100	5C030011+ 5S500100	5C030011+ 5S500100	5C030011+ 5S500100	5C030011+ 5S500100	5C030011+ 5S500100	5C030011+ 5S500100	5C030017	5C030017	5C030017
20	5S080001	5S080001	5S080001	5S080001	5S080003	5S080003	5S080003	5S080003	5S080005	5S080005	5S080005
22	5C020139	5C020139	5C020139	5C020139	5C020139	5C020139	5C020139	5C020139	5C020112	5C020112	5C020112
22(+h2o)	5C020104	5C020104	5C020104	5C020104	5C020104	5C020104	5C020104	5C020104	5C020132	5C020132	5C020132
22 (INV)	5C020133	5C020133	5C020133	5C020133	5C020133	5C020133	5C020133	5C020133	5C020132	5C020132	5C020132
23	5S030010	5S030010	5S030010	5S030010	5S030010	5S030010	5S030010	5S030010	5S030010	5S030010	5S030010
24	5P030000	5P030000	5P030000	5P030000	5P030000	5P030000	5P030000	5P030000	5P030018	5P030018	5P030018
24 (INV)	5P030036	5P030036	5P030036	5P030036	5P030036	5P030036	5P030036	5P030036	5P030037	5P030037	5P030037
26	5P030006	5P030006	5P030006	5P030006	5P030006	5P030006	5P030006	5P030006	5P030016	5P030016	5P030016
26 (INV)	5P030006	5P030006	5P030006	5P030006	5P030006	5P030006	5P030006	5P030006	5P030031	5P030031	5P030031
29/30	5M010506	5M010505	5M010507	5M010508	5M010511	5M010510	5M010512	5M010509	5M010516	5M010517	5M010518
31	5I100041	5I100031	5I100031	5I100031	5I100041	5I100031	5I100031	5I100031	5I100031	5I100031	5I100031
32	5T010305	5T010305	5T010305	5T010305	5T010305	5T010305	5T010305	5T010305	5T010305	5T010305	5T010305
35	-	-	5C010650 + 5M200009	5C010650 + 5M200009	-	-	5C010650 + 5M200009	5C010650 + 5M200009	-	5C010650 + 5M200009	5C010650 + 5M200009
37	5G080002	5G080002	5G080002	5G080002	5G080002	5G080002	5G080002	5G080002	5G080008	5G080008	5G080008
42	5M050500	5M050500	5M050500	5M050500	5M050500	5M050500	5M050500	5M050500	5M050500	5M050500	5M050500
43	5P030011	5P030011	5P030011	5P030011	5P030011	5P030011	5P030011	5P030011	5P030017	5P030017	5P030017
43(+h2o)	5P030027	5P030027	5P030027	5P030027	5P030027	5P030027	5P030027	5P030027	5P030038	5P030038	5P030038
43 (INV)	5P030039	5P030039	5P030039	5P030039	5P030039	5P030039	5P030039	5P030039	5P030038	5P030038	5P030038
51	5M200014	5M200014	5M200014	5M200014	5M200014	5M200014	5M200014	5M200014	5M200014	5M200014	5M200014
52	8K010004	8K010004	8K010004	8K010004	8K010004	8K010004	8K010004	8K010004	8K010004	8K010004	8K010004
82	5I030201	5I030201	5I030201	5I030201	5I030201	5I030201	5I030201	5I030201	5I030202	5I030202	5I030202
83	5P100105	5P100105	5P100105	5P100105	5P100105	5P100105	5P100105	5P100105	5P100105	5P100105	5P100105

RIF.	5 50Hz	10 50Hz	15 50Hz	15 3PH 50Hz	15 3PH 2V 50Hz	15 2V 230V/3PH 50Hz	20 50Hz	20 3PH 50Hz	20 3PH 2V 50Hz	20 2V 230V/3PH 50Hz
5	5V010512	5V010510	5V010514	5V010514	5V010514	5V010514	5V010505	5V010505	5V010505	5V010505
6	7S010018	7S010018	7S010018	7S010018	7S010018	7S010018	7S010018	7S010018	7S010018	7S010018
9	5C030503	5C030503	5C030501	5C030501	5C030501	5C030501	5C030501	5C030501	5C030501	5C030501
9 (+h2o)	5C030503	5C030503	5C030501	5C030501	5C030501	5C030501	5C030501	5C030501	5C030501	5C030501
9 (INV)			5C030513	5C030513	5C030513	5C030513	5C030513	5C030513	5C030513	5C030513
13	5C020109	5C020109	5C020100	5C020100	5C020100	5C020100	5C020100	5C020100	5C020100	5C020100
13(+h2o)	5C020109	5C020109	5C020100	5C020100	5C020100	5C020100	5C020100	5C020100	5C020100	5C020100
13 (INV)			5C020135	5C020135	5C020135	5C020135	5C020135	5C020135	5C020135	5C020135
15/A	5C030014	5C030014	5C030011+ 5S500100	5C030011+ 5S500100	5C030011+ 5S500100	5C030011+ 5S500100	5C030011+ 5S500100	5C030011+ 5S500100	5C030011+ 5S500100	5C030011+ 5S500100
15/B	5C030014	5C030014	5C030010+ 5S500100	5C030010+ 5S500100	5C030010+ 5S500100	5C030010+ 5S500100	5C030010+ 5S500100	5C030010+ 5S500100	5C030010+ 5S500100	5C030010+ 5S500100
20	5S080004	5S080004	5S080000	5S080000	5S080000	5S080000	5S080000	5S080000	5S080000	5S080000
22	5C020110	5C020110	5C020113	5C020113	5C020113	5C020113	5C020107	5C020107	5C020107	5C020107
22(+h2o)	5C020110	5C020110	5C020107	5C020107	5C020107	5C020107	5C020105	5C020105	5C020105	5C020105
22 (INV)			5C020113	5C020113	5C020113	5C020113	5C020107	5C020107	5C020107	5C020107
23	5S030009	5S030009	5S030010	5S030010	5S030010	5S030010	5S030010	5S030010	5S030010	5S030010
24	5P030009	5P030009	5P030000	5P030000	5P030000	5P030000	5P030000	5P030000	5P030000	5P030000
24 (INV)			5P030033	5P030033	5P030033	5P030033	5P030033	5P030033	5P030033	5P030033
26	5P030008	5P030008	5P030005	5P030005	5P030005	5P030005	5P030005	5P030005	5P030005	5P030005
26 (INV)			5P030005	5P030005	5P030005	5P030005	5P030005	5P030005	5P030005	5P030005
29-30	5M010010	5M010010	5M010501	5M010500	5M010502	5M010513	5M010501	5M010500	5M010502	5M010502
31	5I100041	5I100041	5I100041	5I100031	5I100031	5I100031	5I100041	5I100031	5I100031	5I100031
32	5T010305	5T010305	5T010305	5T010305	5T010305	5T010305	5T010305	5T010305	5T010305	5T010305
34	5M500020	5M500020	5M500020	5M500020	5M500020	5M500020	5M500020	5M500020	5M500020	5M500020
35					5C010650 + 5M200009	5C010650 + 5M200009			5C010650 + 5M200009	5C010650 + 5M200009
37	5G080004	5G080004	5G080000	5G080000	5G080000	5G080000	5G080000	5G080000	5G080000	5G080000
42	5M050500	5M050500	5M050500	5M050500	5M050500	5M050500	5M050500	5M050500	5M050500	5M050500
43	5P030007	5P030007	5P030010	5P030010	5P030010	5P030010	5P030010	5P030010	5P030010	5P030010
43(+h2o)	5P030007	5P030007	5P030026	5P030026	5P030026	5P030026	5P030026	5P030026	5P030026	5P030026
43 (INV)			5P030040	5P030040	5P030040	5P030040	5P030040	5P030040	5P030040	5P030040
45	5M200035	5M200035	5M200035	5M200035	5M200035	5M200035	5M200035	5M200035	5M200035	5M200035
46	5M050501	5M050501	5M050501	5M050501	5M050501	5M050501	5M050501	5M050501	5M050501	5M050501
51	5M200014	5M200014	5M200014	5M200014	5M200014	5M200014	5M200014	5M200014	5M200014	5M200014
52	8K010001	8K010001	8K010001	8K010001	8K010001	8K010001	8K010001	8K010001	8K010001	8K010001
82			5I030200	5I030200	5I030200	5I030200	5I030200	5I030200	5I030200	5I030200
83			5P100105	5P100105	5P100105	5P100105	5P100105	5P100105	5P100105	5P100105
84	5S010075	5S010075	5S010075	5S010075	5S010075	5S010075	5S010075	5S010075	5S010075	5S010075
93	4S000025	4S000025	4S000025	4S000025	4S000025	4S000025	4S000025	4S000025	4S000025	4S000025

RIF.	30 50Hz	30 3PH 50Hz	30 3PH 2V 50Hz	30 2V 230V/3PH 50Hz	40 50Hz	40 3PH 50Hz	40 3PH 2V 50Hz	40 2V 230V/3PH 50Hz	50 50Hz	50 3PH 50Hz	50 3PH 2V 50Hz	50 2V 230V/3PH 50Hz
5	5V010506	5V010506	5V010506	5V010506	5V010507	5V010507	5V010507	5V010507	5V010508	5V010508	5V010508	5V010508
6	7S010019	7S010019	7S010019	7S010019	7S010019	7S010019	7S010019	7S010019	7S010020	7S010020	7S010020	7S010020
9	5C030500	5C030500	5C030500	5C030500	5C030500	5C030500	5C030500	5C030500	5C030500	5C030500	5C030500	5C030500
9 (+h2o)	5C030500	5C030500	5C030500	5C030500	5C030500	5C030500	5C030500	5C030500	5C030500	5C030500	5C030500	5C030500
9 (INV)	5C030508	5C030508	5C030508	5C030508	5C030508	5C030508	5C030508	5C030508	5C030508	5C030508	5C030508	5C030508
13	5C020101	5C020101	5C020101	5C020101	5C020102	5C020102	5C020102	5C020102	5C020102	5C020102	5C020102	5C020102
13(+h2o)	5C020101	5C020101	5C020101	5C020101	5C020102	5C020102	5C020102	5C020102	5C020102	5C020102	5C020102	5C020102
13 (INV)	5C020138	5C020138	5C020138	5C020138	5C020100	5C020100	5C020100	5C020100	5C020100	5C020100	5C020100	5C020100
15/A	5C030013+ 5S500110	5C030013+ 5S500110	5C030013+ 5S500110	5C030013+ 5S500110	5C030013+ 5S500110	5C030013+ 5S500110	5C030013+ 5S500110	5C030013+ 5S500110	5C030013+ 5S500110	5C030013+ 5S500110	5C030013+ 5S500110	5C030013+ 5S500110
15/B	5C030011+ 5S500100	5C030011+ 5S500100	5C030011+ 5S500100	5C030011+ 5S500100	5C030011+ 5S500100	5C030011+ 5S500100	5C030011+ 5S500100	5C030011+ 5S500100	5C030011+ 5S500100	5C030011+ 5S500100	5C030011+ 5S500100	5C030011+ 5S500100
20	5S080001	5S080001	5S080001	5S080001	5S080001	5S080001	5S080001	5S080001	5S080003	5S080003	5S080003	5S080003
22	5C020139	5C020139	5C020139	5C020139	5C020139	5C020139	5C020139	5C020139	5C020139	5C020139	5C020139	5C020139
22(+h2o)	5C020107	5C020107	5C020107	5C020107	5C020104	5C020104	5C020104	5C020104	5C020104	5C020104	5C020104	5C020104
22 (INV)	5C020139	5C020139	5C020139	5C020139	5C020133	5C020133	5C020133	5C020133	5C020133	5C020133	5C020133	5C020133
23	5S030010	5S030010	5S030010	5S030010	5S030010	5S030010	5S030010	5S030010	5S030010	5S030010	5S030010	5S030010
24	5P030000	5P030000	5P030000	5P030000	5P030000	5P030000	5P030000	5P030000	5P030000	5P030000	5P030000	5P030000
24 (INV)	5P030036	5P030036	5P030036	5P030036	5P030036	5P030036	5P030036	5P030036	5P030036	5P030036	5P030036	5P030036
26	5P030006	5P030006	5P030006	5P030006	5P030006	5P030006	5P030006	5P030006	5P030006	5P030006	5P030006	5P030006
26 (INV)	5P030006	5P030006	5P030006	5P030006	5P030006	5P030006	5P030006	5P030006	5P030006	5P030006	5P030006	5P030006
29-30	5M010506	5M010505	5M010507	5M010507	5M010506	5M010505	5M010507	5M010507	5M010511	5M010510	5M010512	5M010512
31	5I100041	5I100031	5I100031	5I100031	5I100041	5I100031	5I100031	5I100031	5I100041	5I100031	5I100031	5I100031
32	5T010305	5T010305	5T010305	5T010305	5T010305	5T010305	5T010305	5T010305	5T010305	5T010305	5T010305	5T010305
34	5M500020	5M500020	5M500020	5M500020	5M500020	5M500020	5M500020	5M500020	5M500020	5M500020	5M500020	5M500020
35			5C010650 + 5M200009	5C010650 + 5M200009			5C010650 + 5M200009	5C010650 + 5M200009			5C010650 + 5M200009	5C010650 + 5M200009
37	5G080001	5G080001	5G080001	5G080001	5G080002	5G080002	5G080002	5G080002	5G080002	5G080002	5G080002	5G080002
42	5M050500	5M050500	5M050500	5M050500	5M050500	5M050500	5M050500	5M050500	5M050500	5M050500	5M050500	5M050500
43	5P030011	5P030011	5P030011	5P030011	5P030011	5P030011	5P030011	5P030011	5P030011	5P030011	5P030011	5P030011
43(+h2o)	5P030027	5P030027	5P030027	5P030027	5P030027	5P030027	5P030027	5P030027	5P030027	5P030027	5P030027	5P030027
43 (INV)	5P030039	5P030039	5P030039	5P030039	5P030039	5P030039	5P030039	5P030039	5P030039	5P030039	5P030039	5P030039
45	5M200035	5M200035	5M200035	5M200035	5M200035	5M200035	5M200035	5M200035	5M200035	5M200035	5M200035	5M200035
46	5M050501	5M050501	5M050501	5M050501	5M050501	5M050501	5M050501	5M050501	5M050501	5M050501	5M050501	5M050501
51	5M200014	5M200014	5M200014	5M200014	5M200014	5M200014	5M200014	5M200014	5M200014	5M200014	5M200014	5M200014
52	8K010001	8K010001	8K010001	8K010001	8K010004	8K010004	8K010004	8K010004	8K010004	8K010004	8K010004	8K010004
82	5I030201	5I030201	5I030201	5I030201	5I030201	5I030201	5I030201	5I030201	5I030201	5I030201	5I030201	5I030201
83	5P100105	5P100105	5P100105	5P100105	5P100105	5P100105	5P100105	5P100105	5P100105	5P100105	5P100105	5P100105
84	5S010075	5S010075	5S010075	5S010075	5S010075	5S010075	5S010075	5S010075	5S010075	5S010075	5S010075	5S010075
93	4S000025	4S000025	4S000025	4S000025	4S000025	4S000025	4S000025	4S000025	4S000025	4S000025	4S000025	4S000025