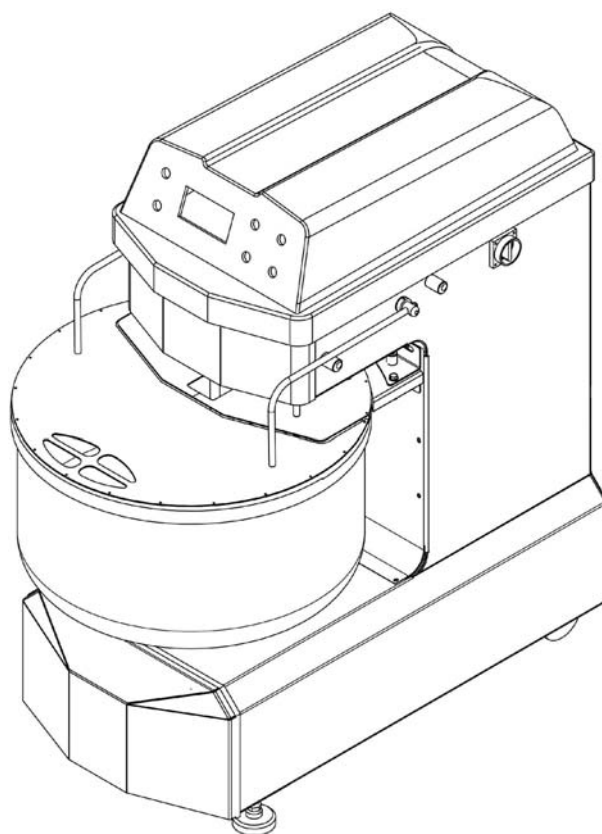


MX 80

SPARE PARTS

EXPLODED VIEWS

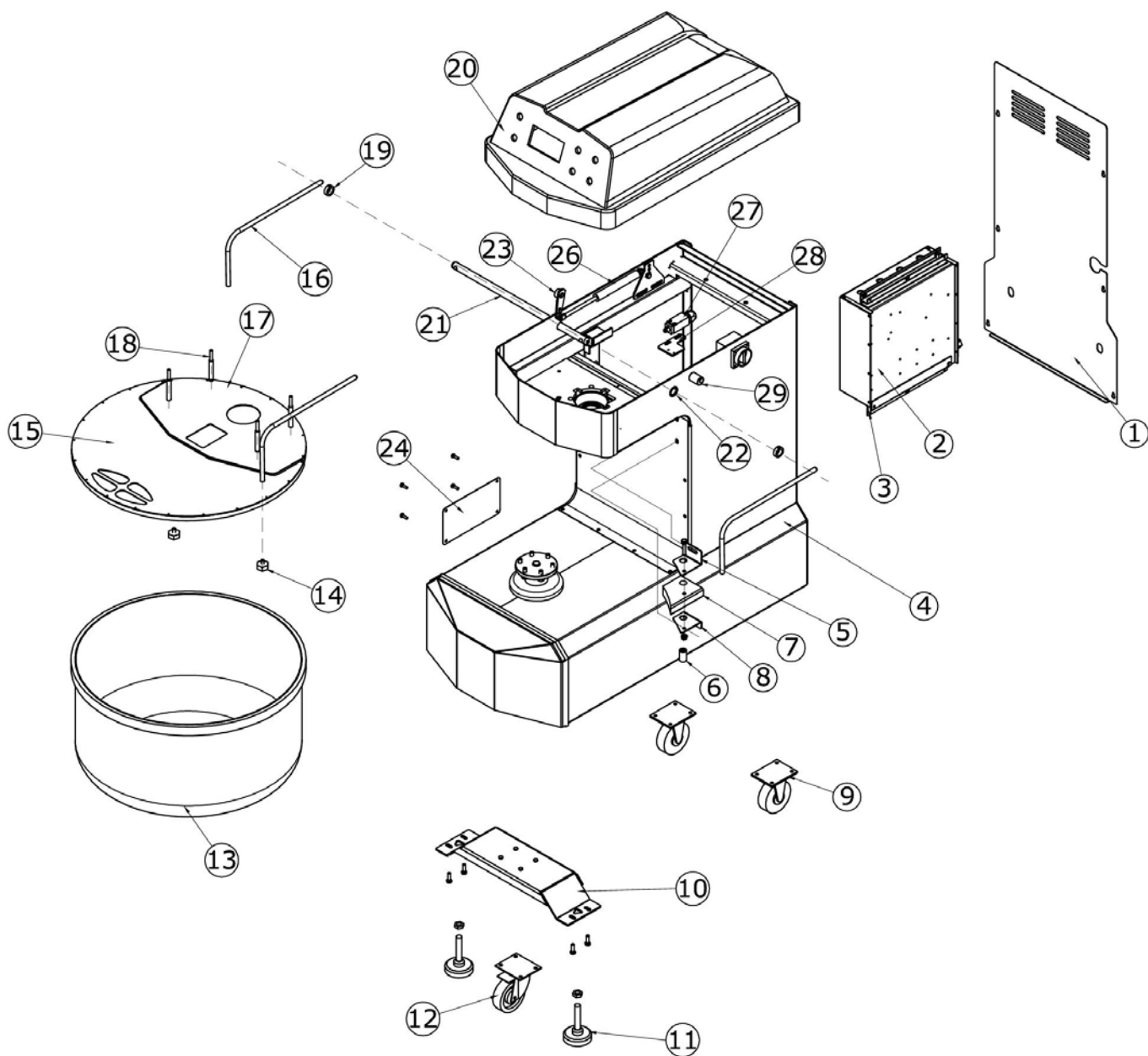


SPARE PARTS ENQUIRY

Always mention:

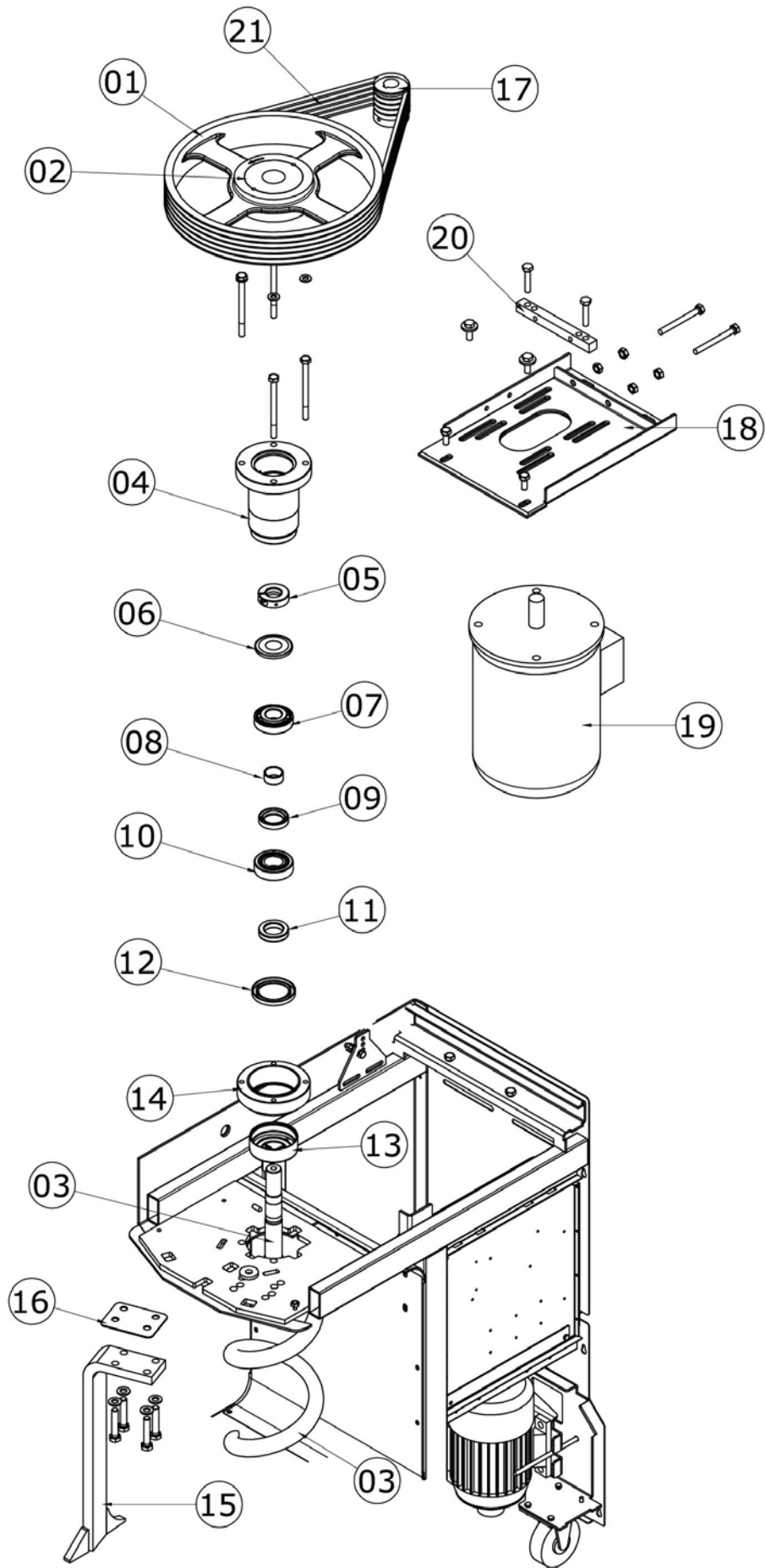
- Machine model
- Serial number
- No. of reference table
- ⇒ Position in the list of the spare part requested
- ⇒ Piece description
- ⇒ Quantity needed
- ⇒ Code

Table 1: Machine structure – exploded view



List 1: Machine structure

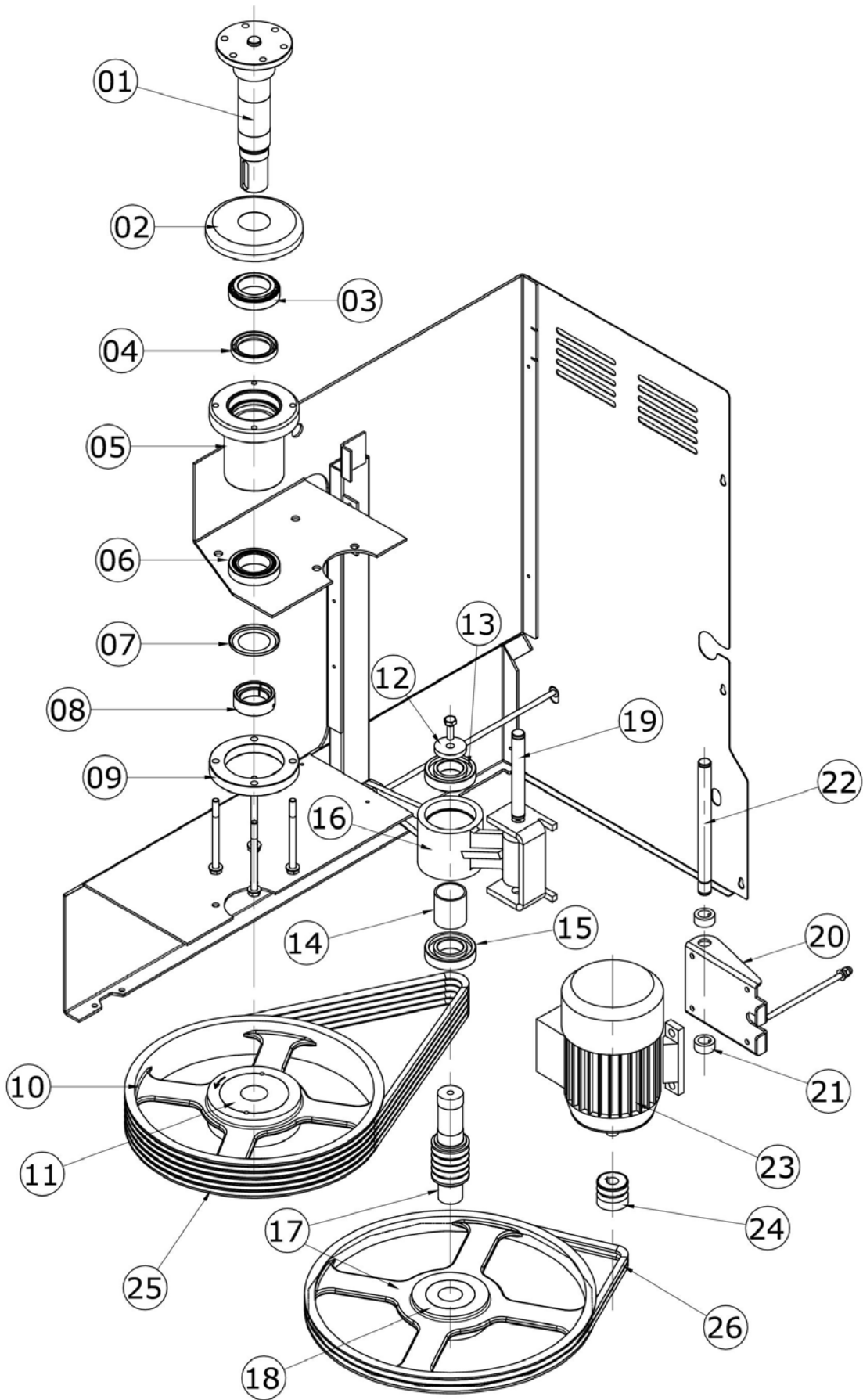
POS.	DESCRIPTION	Qty	CODE
1	Rear door	1	D074A12
2	Electric box	1	*
3	Ball bearing slides	1	C07000
4	Body	1	D04302
5	Right semi-support	2	D04138
6	Pin	2	D01304_02
7	Nylon plug	2	D04140
8	Left semi-support	2	D04136
9	Rear wheel	2	C01432
10	Caster support	1	D04729
11	Foot	2	C01010
12	Caster	1	C01431
13	Bowl	1	D12059
14	Hexagonal pin for arm	2	D01306
15	Removable cover	1	D07683
16	Arm	2	D04525
17	Fixed guard	1	D07361
18	Fixed guard spacer	4	D01384
19	Washer	1	D15116
20	Head cover	1	D08010
21	Union arm pin	1	D01382
22	Bush DU	2	C00209
23	Gas strut plate (OPTIONAL)	1	*
24	Base Cover	1	D074A13
25	Front closure	1	D074A14
26	Gas strut (OPTIONAL)	1	*
27	Microswitch	1	*
28	Microswitch plate	1	*
29	Stop pin	4	D05004_01



List 2: Head group

POS.	DESCRIPTION	Qty	CODE
1	Pulley	1	C01724
2	Locking assembly	1	C01327
3	Spiral	1	D12228
4	Shaft Support	1	D04025
5	Ring Cut	1	D15401
6	Nilos Ring	1	C11946
7	Ball Bearing 30307	1	C00934
8	IR Ring	1	C00938
9	MIM Ring 40x72x10	1	C00941
10	Ball Bearing 32008	1	C00935
11	MX 80 Oil Seal Ring	1	D05505
12	MIM Ring 55x70x8	1	C00942
13	MX 80 Aluminium Ring	1	D05506
14	Clamping Ring Hub Spiral	1	D12926
15	Column with foot	1	D12118
16	Spacer	1	D10128
17	Motor Pulley	1	D11116
18	Spiral Motor Slide	1	D04707
19	Motor	1	E00300
20	Tension Plate	1	D13084
21	Belt	1	C01212

* see wiring diagrams



List 3: Bowl group

POS.	DESCRIPTION	Qty	CODE
1	Bowl Shaft	1	D01025
2	Cup of Protection	1	D07934
3	Ball Bearing	1	C00921
4	MIM Ring	1	C11914
5	Bowl Shaft support	1	D04023
6	Ball Bearing	1	C00921
7	Nilos Ring	1	C11945
8	Ring Cut	1	D15400
9	Lower Ring Bowl Hub	1	D12925
10	Pulley	1	D11100
11	Locking Assembly	2	C01302
12	Washer	1	D15114
13	Ball Bearing	1	C00002
14	Spacer	1	D10023_01
15	Ball Bearing	1	C00002
16	Bowl Transmission Support	1	D04000
17	Pulley with Shaft	1	D01203_01
18	Locking Assembly	1	C01300
19	Pin	1	D01300
20	Bowl Motor Slide	1	D04728
21	ABU ring	2	C02986
22	Motor Pin	1	D01383
23	Motor	1	E00000
24	Pulley	1	D11112
25	Belt	5	C01214
26	Belt	2	C01208