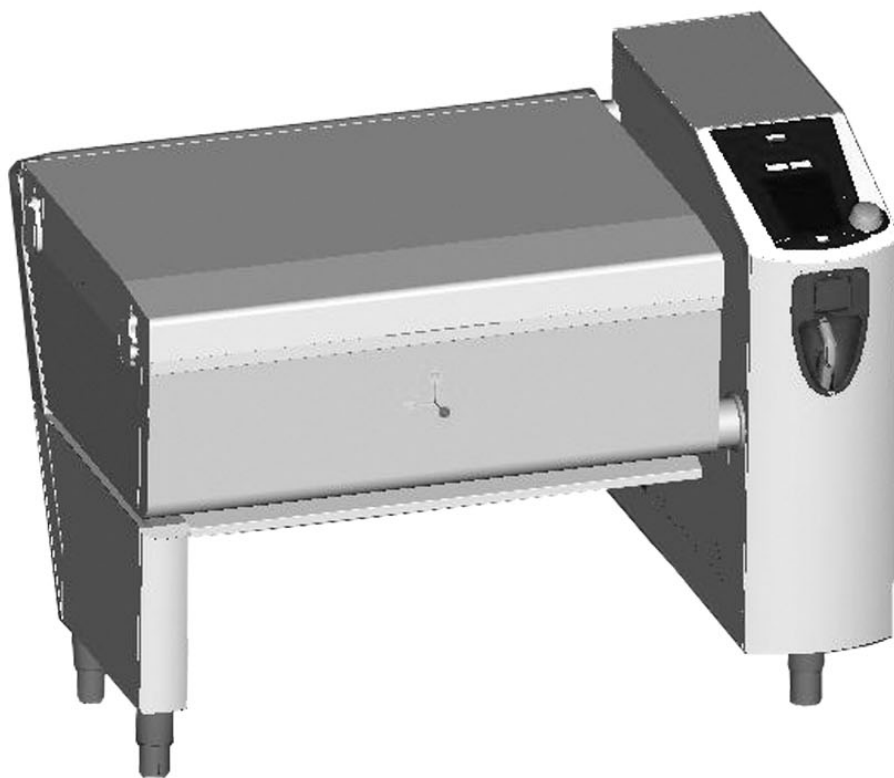




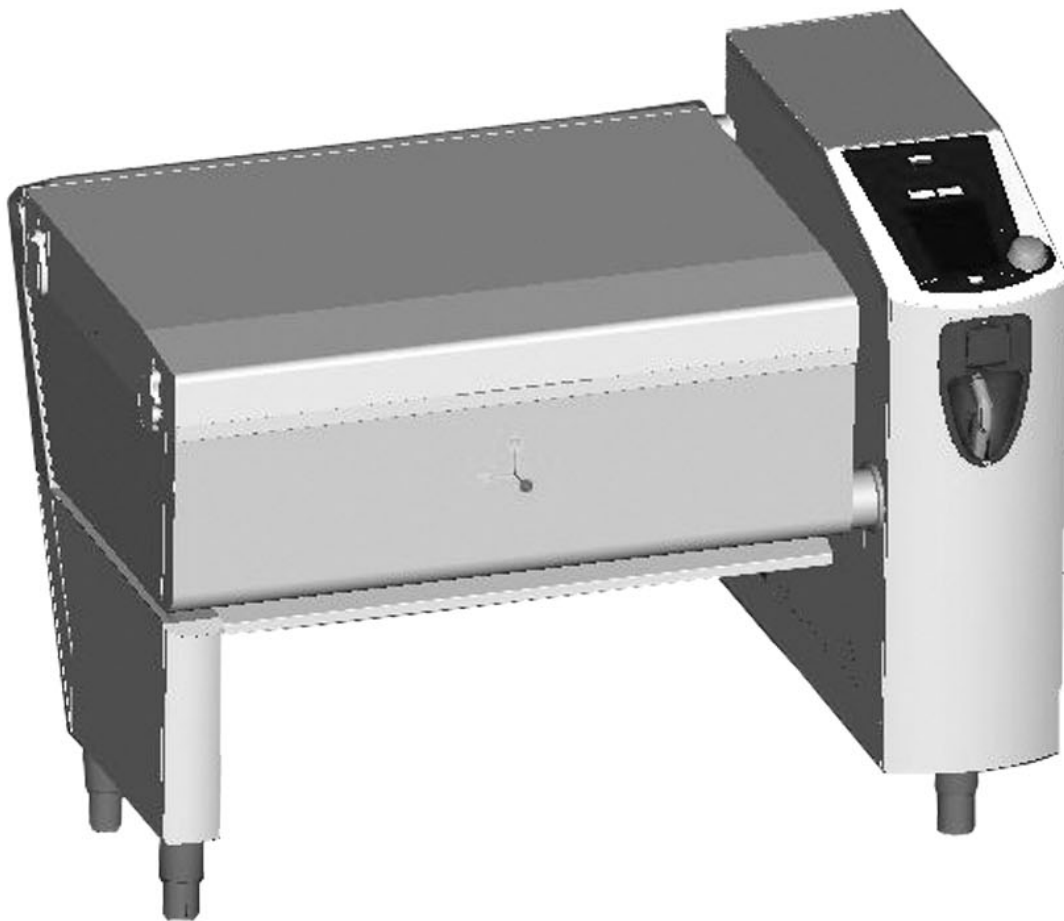
Service part catalogue

VarioCooking Center 311+E

E31PA0502



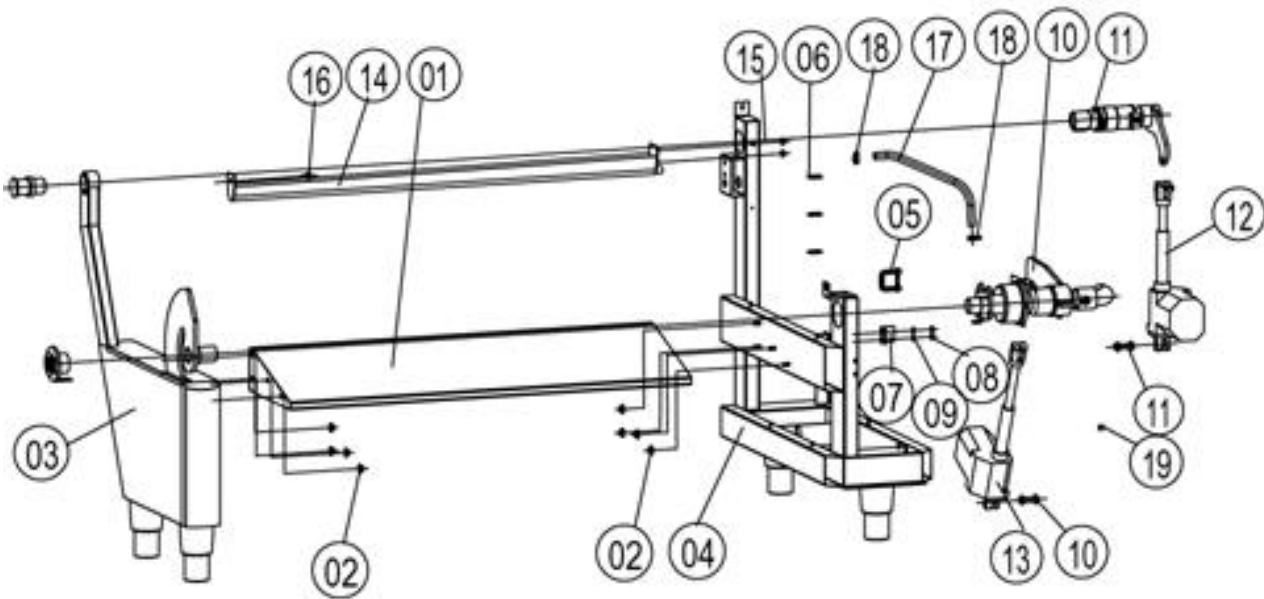
Overview



Overview

Pos.	Assembly	Page
1	Chassis as of 01/05 up to 09/05	4
1.1	Chassis as of 10/05 up to 11/06	10
2	Pan as of 01/05 up to 09/06	16
2.1	Pan as of 10/06 up to 11/06	24
3	Water distribution - hand shower roll guide as of 01/05 upto 01/06	30
3.1	Water distribution - hand shower roll guide as of 02/06 up to 11/06	32
4	Drain as of 01/05 upto 01/06	34
4.1	Drain as of 02/06 up to 11/06	38
5	Electrical installation as of 01/05 up to 12/05	42
5.1	Electrical installation as of 01/06 up to 01/06	48
5.2	Electrical installation as of 02/06 up to 11/06	54
6	External sheet as of 01/05 up to 11/06	60
7	Lid as of 01/05 up to 07/05	64
7.1	Lid as of 08/05 up to 11/06	66
8	Control panel as of 01/05 up to 02/06	68
8.1	Control panel as of 03/06 up to 11/06	70

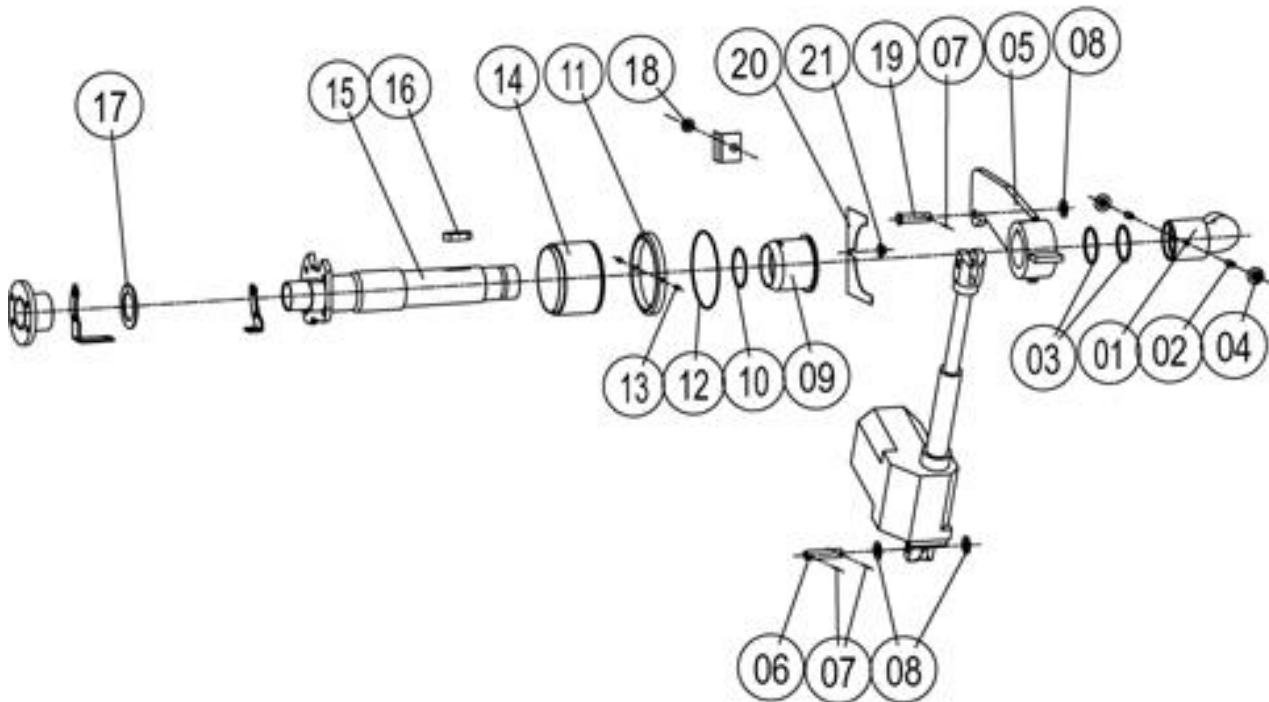
Chassis as of 01/05 upt to 09/05



Chassis as of 01/05 upt to 09/05

Pos.	Part no.	Description	Qty.
1	12.00.544	Cross frame	
2	10.00.607	Hex combination nut M8	
3	12.00.512	Subframe left foot	
4	12.00.572	Chassis right	
5	10.00.418	Bundle guide big	
6	10.00.111	Cable clip long	
7	12.00.570	Stop device frame right	
8	1108.0260V	Hex nut M8	
9	1308.0160V	Washer A8,4	
10		Shaft toppling pan	
11		Shaft toppling lid	
12	40.00.622	Lifting cylinder for lid LBM 14.21F	
13	40.07.748P	Lifting cylinder for lid with cover	
14	12.00.644	Drip collector	
15	1106.0801F	Hex combination nut M6	
16	1008.0768F	Ornamental screw M8x16	
17	24.01.231	Silicone hose 16/20	
18	2066.0525V	Hose clamp ø22,1 mm	
19	10.00.652	Tube for drip collector fixation	

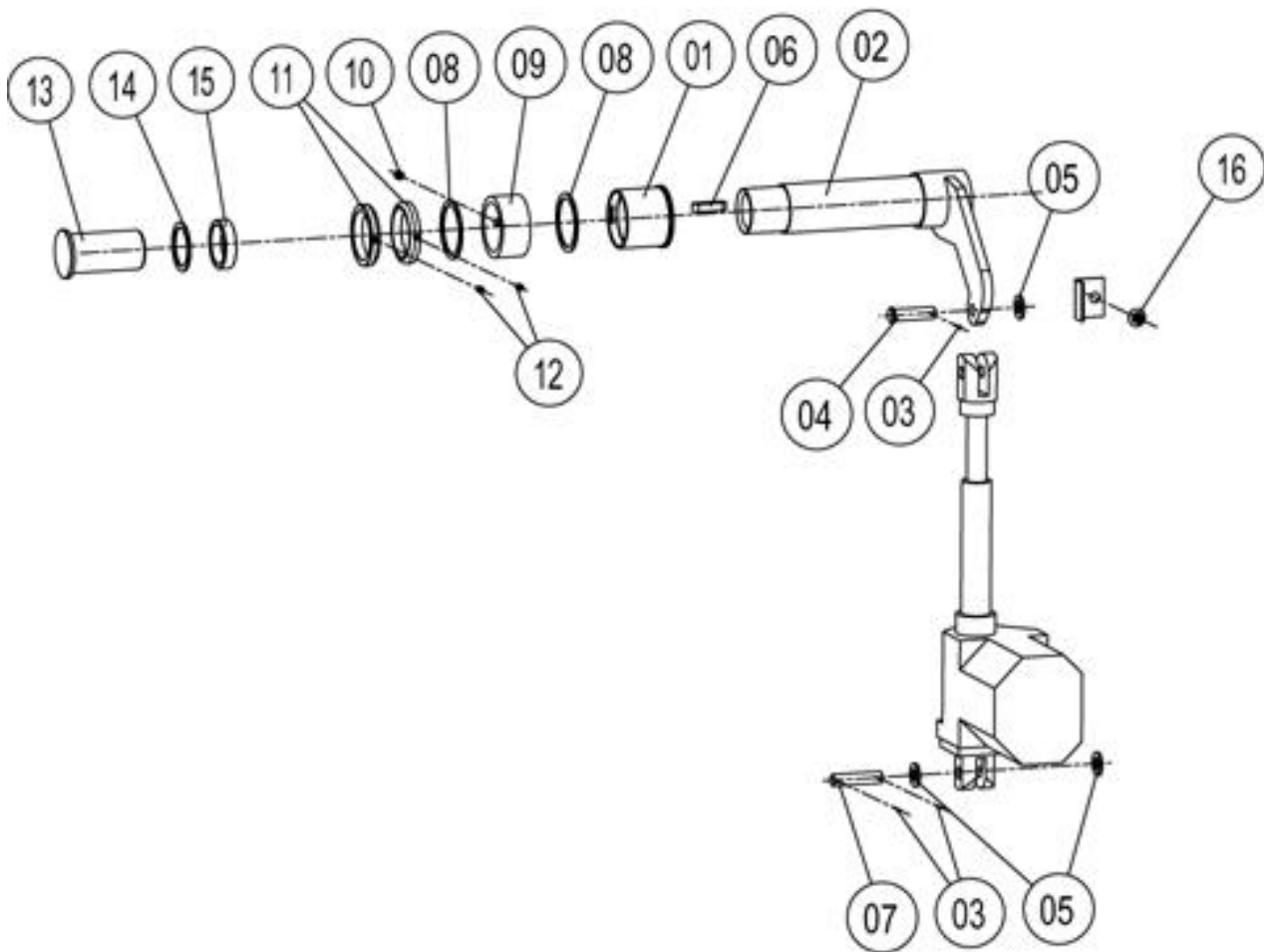
Shaft toppling pan



Shaft toppling pan

Pos.	Part no.	Description	Qty.
1	20.00.704	Rotary complete shaft toppling right	
2	10.00.593	Hex socket set screw cone point A2 M8X20	
3	20.00.709	O-ring 46x3	
4	10.00.607	Hex combination nut M8	
5	20.00.696	Swing shaft lever for pan	
6	20.00.481	Shaft for lower cap	
7	20.00.480	Split-pin 3.2x22 A2	
8	10.00.423	Washer M12 A2	
9	20.00.926	Sheath ring shaft toppling pan complete	
10	20.00.952	Friction ring shaft raising pan	
11	20.00.695	Ring shaft toppling right	
12	20.00.708	O-ring 106x2	
13	10.00.595	Hex socket set screw cup point A2_70 M6x6 Tuflok	
14	20.00.698	Sheath shaft toppling right	
15	20.00.694	Shaft toppling welded	
16	20.00.701	Key arm toppling pan	
17	24.00.721	Friction ring shaft	
18	1106.0803V	Hex combination nut M6 galv	
19	24.00.760	Shaft hoist swing shaft	
20	16.01.198	Bracket watertightness frame	
21	1106.0801F	Hex combination nut M6	

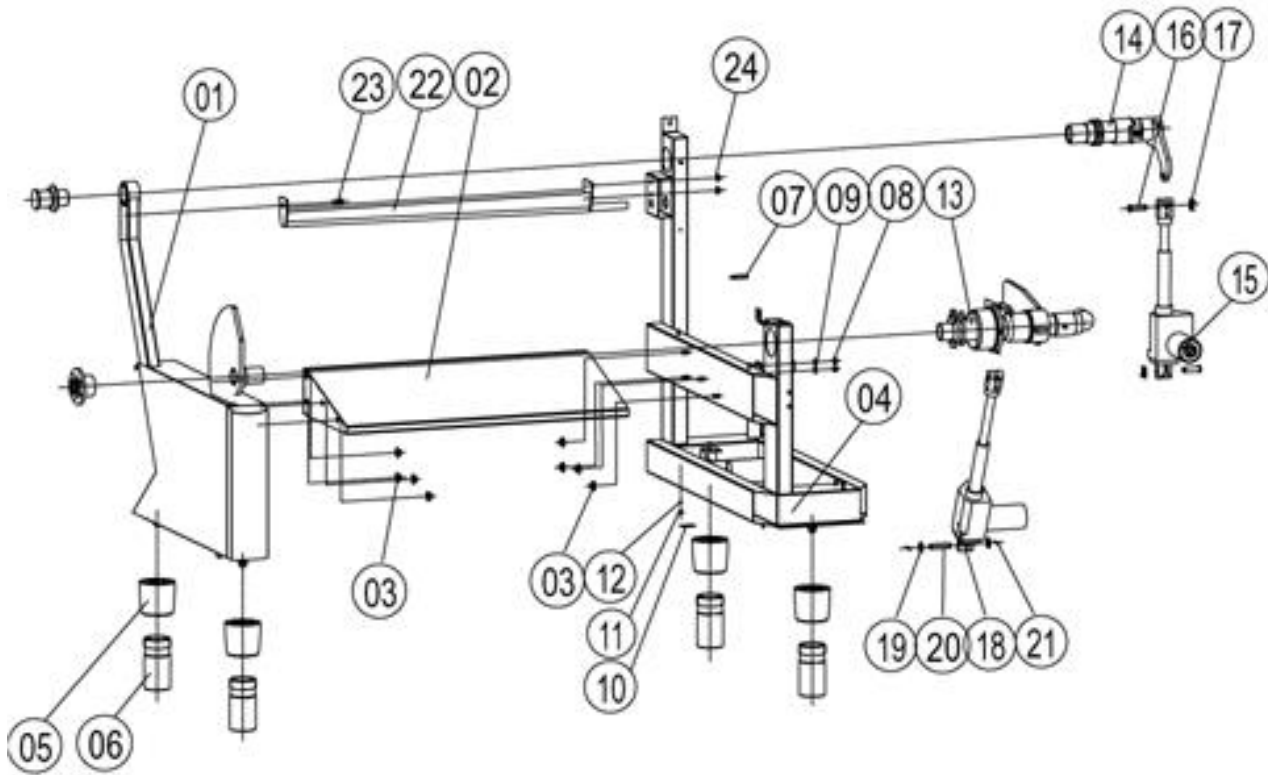
Shaft toppling lid



Shaft toppling lid

Pos.	Part no.	Description	Qty.
1	24.01.222	Sheath and ring Iglidur	
2	24.00.718	Shaft raising complete right	
3	20.00.480	Split-pin 3.2x22 A2	
4	24.00.760	Shaft hoist swing shaft	
5	10.00.423	Washer M12 A2	
6	24.00.748	Key shaft raising lid	
7	20.00.481	Shaft for lower cap	
8	24.00.756	Friction ring teflon right lid	
9	24.00.757	Stop ring shaft raising right	
10	10.00.613	Bolt M8x8 A2	
11	24.00.758	Roofing ring shaft raising	
12	10.00.615	Hex socket set screw cup point A2 M6X8	
13	24.00.719	Sleeve swing shaft left	
14	24.00.890	Friction ring swing shaft lid	
15	24.00.720	Spacer ring left	
16	1106.0803V	Hex combination nut M6 galv	

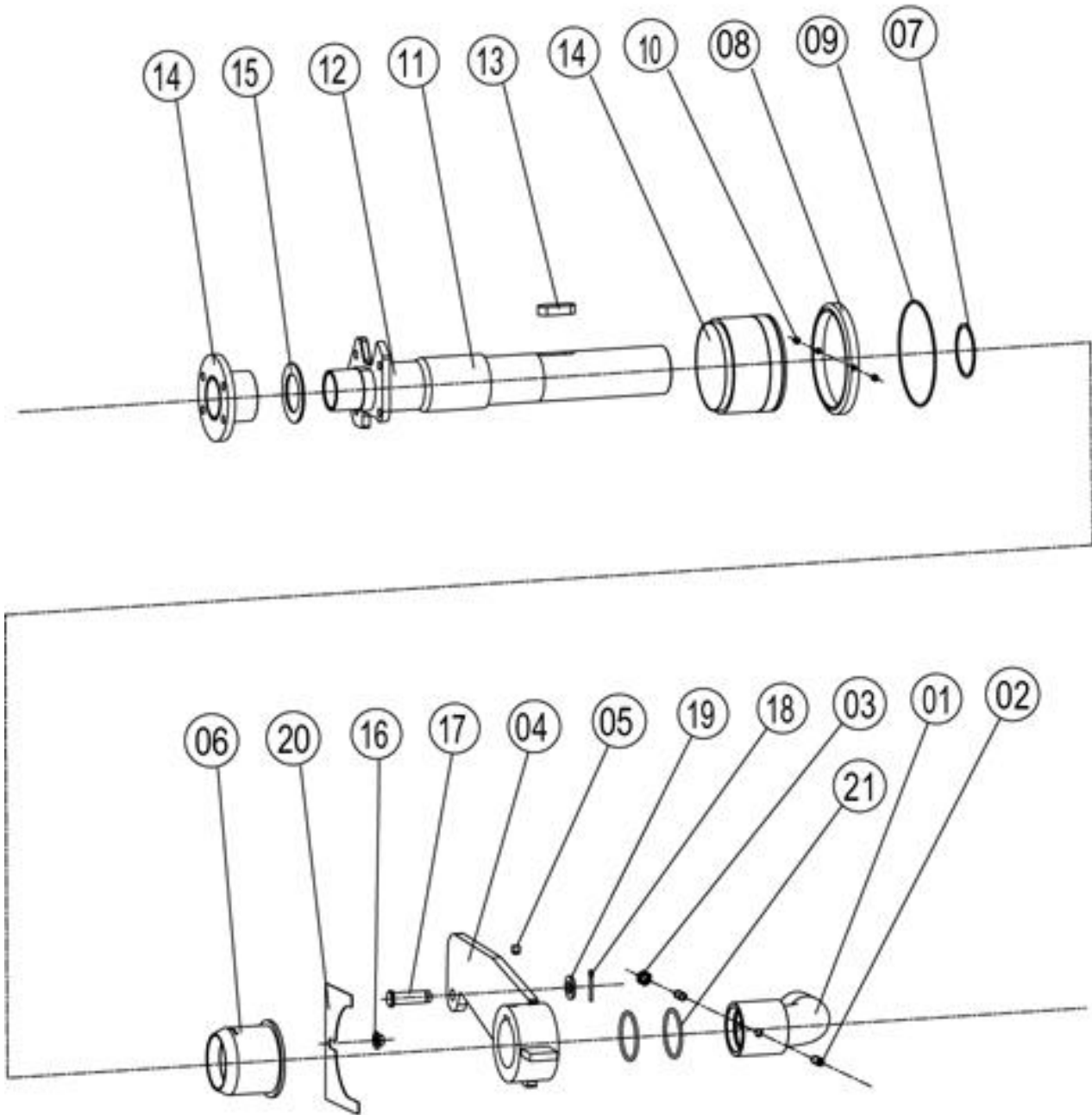
Chassis as of 10/05 up to 11/06



Chassis as of 10/05 up to 11/06

Pos.	Part no.	Description	Qty.
1	12.00.512	Subframe left foot	
2	12.00.544	Cross frame	
3	10.00.607	Hex combination nut M8	
4	12.00.572	Chassis right	
5	12.00.205	Upper part of pedestal	
6	12.00.224	Lower part of pedestal 110mm	
7	10.00.111	Cable clip long	
8	1108.0260V	Hex nut M8	
9	1308.0160V	Washer A8,4	
10	40.00.914	Equipotentiality sticker	
11	1106.0803V	Hex combination nut M6 galv	
12	10.00.189	Tooth lock washer A4 AZ6	
13		Shaft toppling pan	
14		Shaft toppling lid	
15	40.00.622	Lifting cylinder for lid LBM 14.21F	
16	24.00.760	Shaft hoist swing shaft	
17	10.00.747	Securing device for bolt d=12	
18	40.07.748P	Lifting cylinder for lid with cover	
19	10.00.423	Washer M12 A2	
20	20.00.481	Shaft for lower cap	
21	20.00.480	Split-pin 3.2x22 A2	
22	12.00.644	Drip collector	
23	1008.0768F	Ornamental screw M8x16	
24	1106.0160F	Hex nut M6	

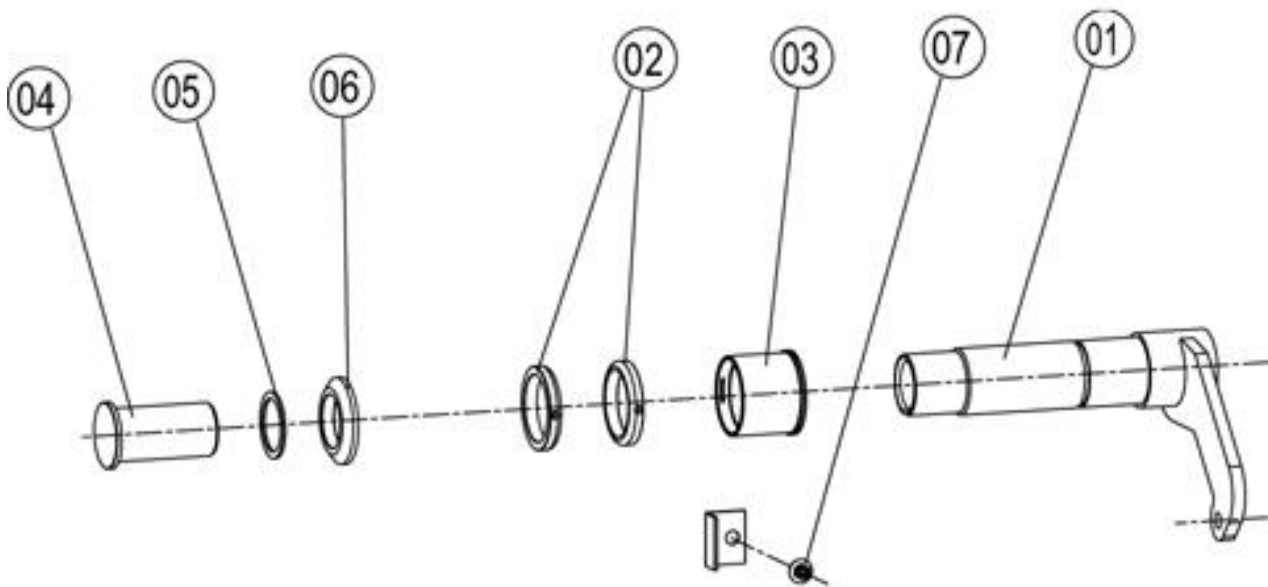
Shaft toppling pan



Shaft toppling pan

Pos.	Part no.	Description	Qty.
1	20.00.704	Rotary complete shaft toppling right	
2	10.00.593	Hex socket set screw cone point A2 M8X20	
3	1108.0260V	Hex nut M8	
4	20.00.696	Swing shaft lever for pan	
5	10.00.613	Bolt M8x8 A2	
6	20.00.926	Sheath ring shaft toppling pan complete	
7	20.00.952	Friction ring shaft raising pan	
8	20.00.695	Ring shaft toppling right	
9	20.00.708	O-ring 106x2	
10	10.00.595	Hex socket set screw cup point A2_70 M6x6 Tuflok	
11	20.00.698	Sheath shaft toppling right	
12	20.00.694	Shaft toppling welded	
13	20.00.701	Key arm toppling pan	
14	20.00.925	Clamp left shaft toppling complete	
15	24.00.721	Friction ring shaft	
16	1106.0803V	Hex combination nut M6 galv	
17	24.00.760	Shaft hoist swing shaft	
18	20.00.480	Split-pin 3.2x22 A2	
19	10.00.423	Washer M12 A2	
20	16.01.198	Bracket watertightness frame	
21	20.00.709	O-ring 46x3	

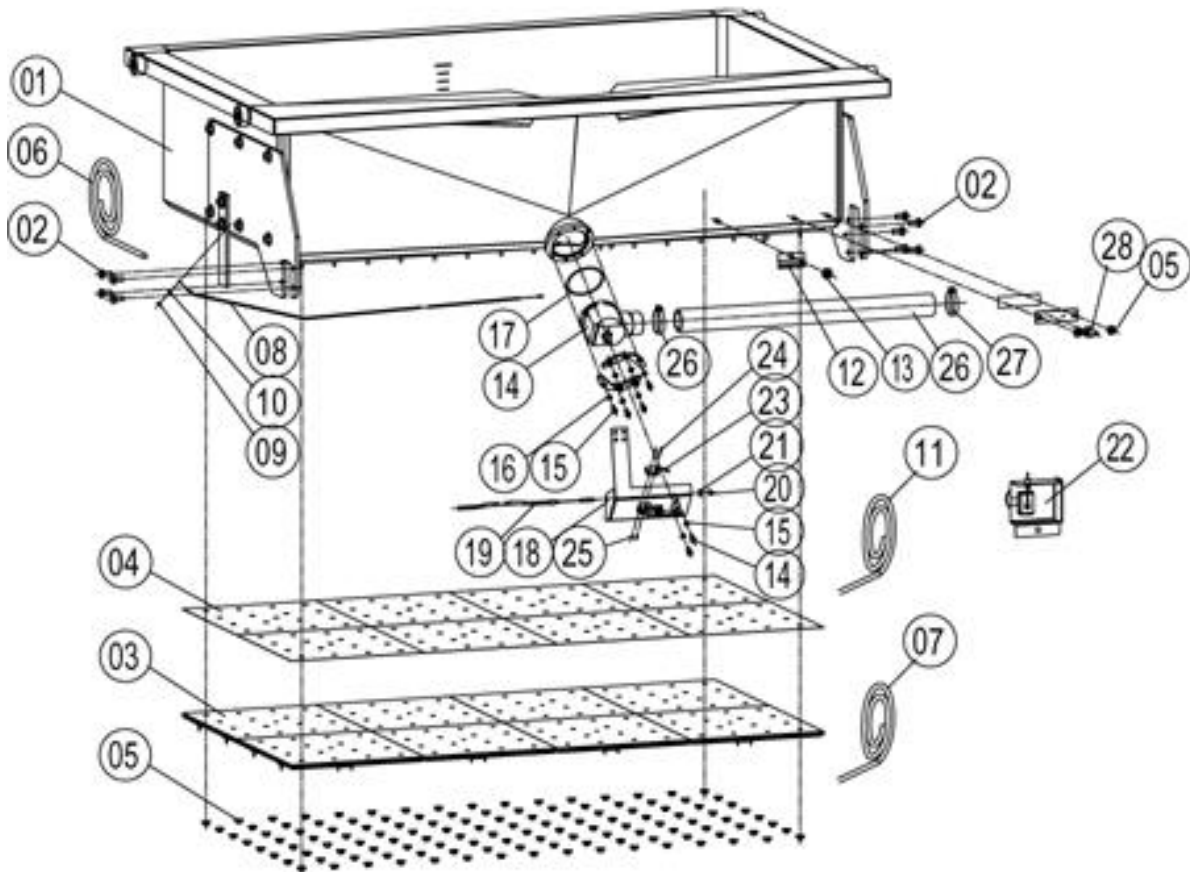
Shaft toppling lid



Shaft toppling lid

Pos.	Part no.	Description	Qty.
1	24.00.718	Shaft raising complete right	
2	24.00.758	Roofing ring shaft raising	
3	24.01.222	Sheath and ring Iglidur	
4	24.00.719	Sleeve swing shaft left	
5	24.00.890	Friction ring swing shaft lid	
6	24.00.720	Spacer ring left	
7	1106.0803V	Hex combination nut M6 galv	

Pan as of 01/05 up to 09/06

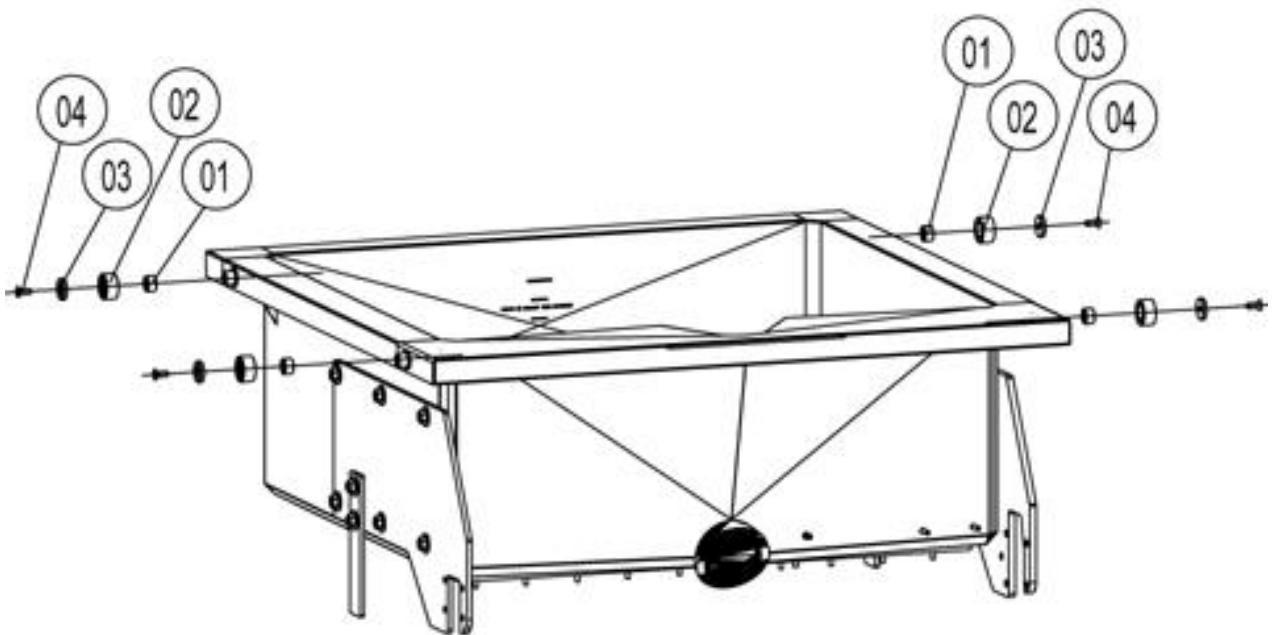


VarioCooking Center 311+E
E31PA0502

Pan as of 01/05 up to 09/06

Pos.	Part no.	Description	Qty.
1	20.00.953	Pan	
2	1008.0760V	Hex screw M8x16	
3	40.01.940	Heating element 2x2800W	
4	20.00.714	Graphit plate big for heating element 5600W	
5	1105.0121V	Hex combination nut M5 galv	
6	46.00.102	Cable control harness heating	
7	20.00.852	Thermocouple bundle	
8	20.00.856	Thermocouple pan	
9	1104.0120V	Hex nut M4	
10	1304.0160F	Washer A4,3	
11	40.01.978	Heating element safety chain bundle	
12	20.00.885	Sensor holder	
13	1106.0803V	Hex combination nut M6 galv	
14		Actuation for pan valve cpl. VCC 112-311	
15	1005.0663V	Allen screw M5x10	
16	1205.0260F	Spring washer B5	
17	20.00.949	Gasket f. pan valve fixing device	
18	20.00.950	Lever assembly pan valve	
19	20.00.917	Bowden cable for pan valve	
20	1251.1000V	Safety washer ø5mm	
21	1306.0120V	Washer A6,4	
22		Motor for pan valve	
23	20.00.922	Micro switch pan valve position	
24	10.00.619	Hex socket head cap screw A2 M2X16	
25	10.00.636	Hex nut M2 self-locking	
26	87.00.475	Discharge pipe of pan	
27	2066.0507V	Hose clamp 32-50mm	
28	3014.0325V	Safety temperature limiter 110°C	

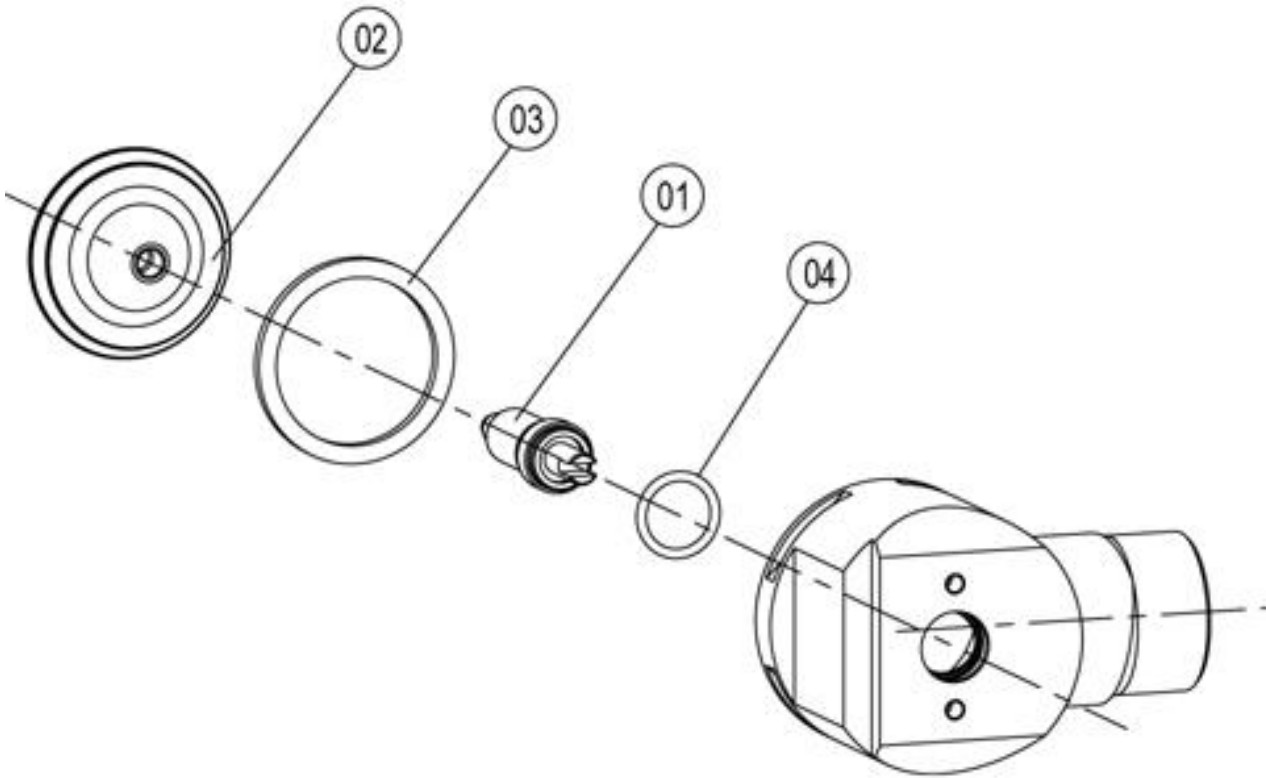
Pan



Pan

Pos.	Part no.	Description	Qty.
1	20.00.884	Ring MB 16/10	
2	20.00.888	Locking roller pan	
3	20.00.818	Washer maintenance roller bolt	
4	1006.1960F	Hex socket countersunk head screw M6x16	

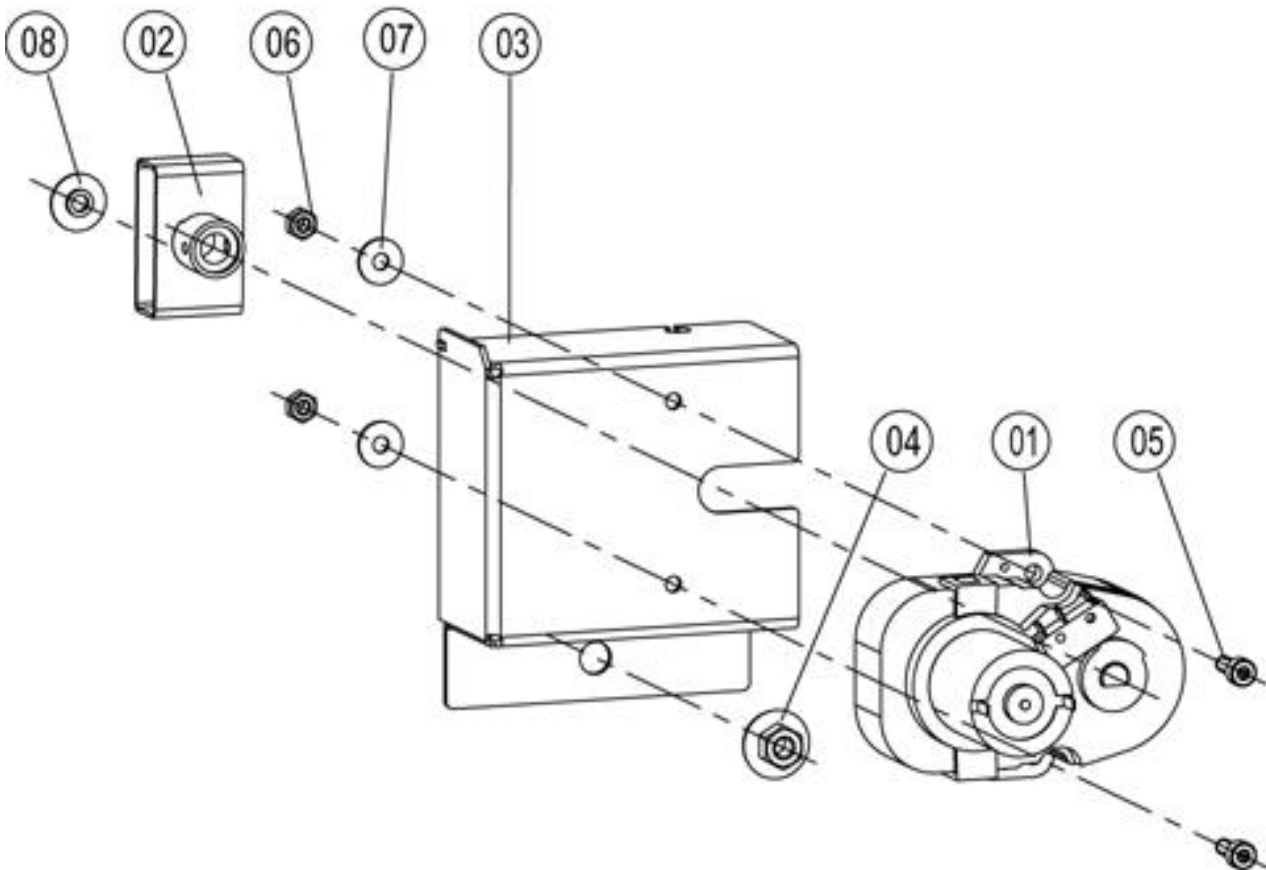
Actuation for pan valve cpl. VCC 112-311



Actuation for pan valve cpl. VCC 112-311

Pos.	Part no.	Description	Qty.
1	20.00.980	Sheath for pan valve	
2	20.00.972	Plug for pan valve	
3	20.00.993	Gasket for plug pan valve	
4	10.00.675	O-ring f. pan valve 17.3 x 2.4	

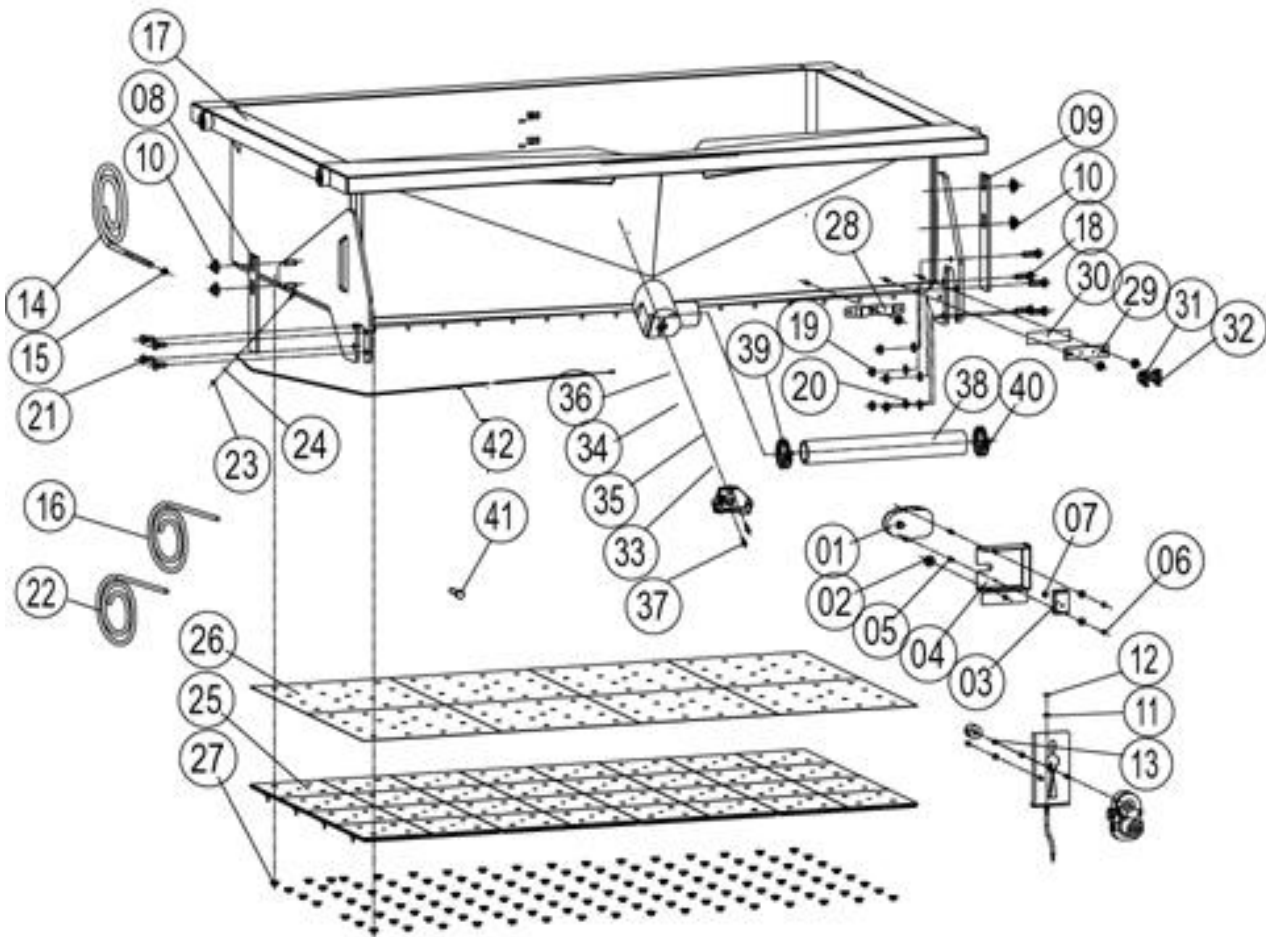
Motor for pan valve



Motor for pan valve

Pos.	Part no.	Description	Qty.
1	40.02.040	Gear motor pan valve	
2	20.00.957	Lever f. bowden cable pan valve	
3	20.00.876	Pan valve motor holder	
4	1106.0803V	Hex combination nut M6 galv	
5	1004.0663V	Allen screw M4x12	
6	1104.0121V	Hex nut M4 self locking	
7	1306.0218V	Washer A4,3	
8	20.00.989	Bearing coupling for cable	

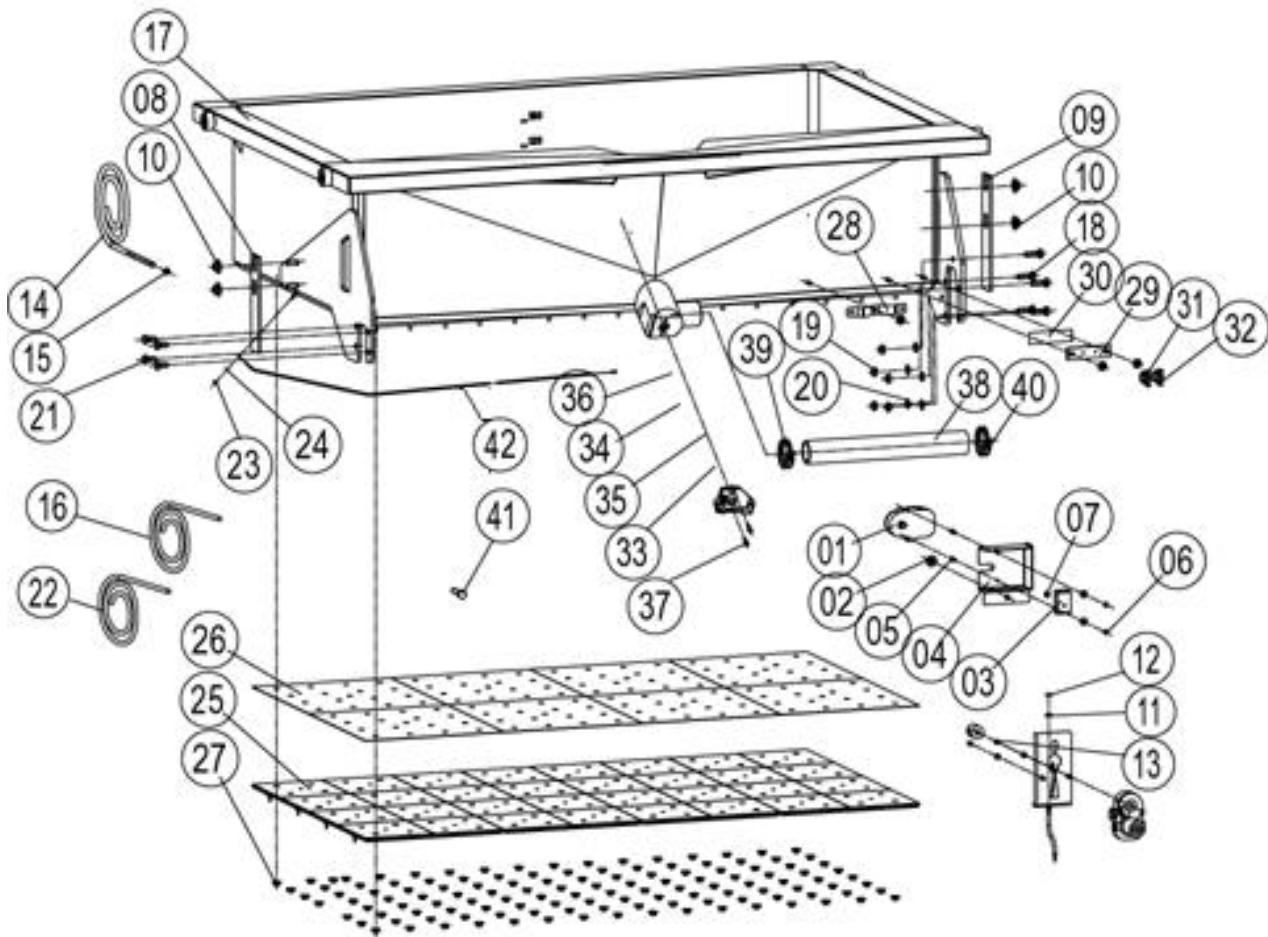
Pan as of 10/06 up to 11/06



Pan as of 10/06 up to 11/06

Pos.	Part no.	Description	Qty.
1	40.02.040	Gear motor pan valve	
2	1106.0803V	Hex combination nut M6 galv	
3	20.00.957	Lever f. bowden cable pan valve	
4	20.00.876	Pan valve motor holder	
5	1004.0663V	Allen screw M4x12	
6	1104.0121V	Hex nut M4 self locking	
7	10.00.672	Disc IGUS 112-311	
8	20.00.846	Stop for pan	
9	20.00.921	Stop right for pan	
10	10.00.607	Hex combination nut M8	
11	1306.0120V	Washer A6,4	
12	1251.1000V	Safety washer ø5mm	
13	1105.0120V	Hex nut M5	
14	20.00.852	Thermocouple bundle	
15	10.00.188	Serrated lock washer A5.1	
16	40.02.156	Additional harness heating	
17	20.00.953	Pan	
18	1008.0761V	Hex screw M8x25	
19	1108.0260V	Hex nut M8	
20	1308.0160V	Washer A8,4	
21	1008.0760V	Hex screw M8x16	
22	46.00.102	Cable control harness heating	
23	1104.0120V	Hex nut M4	
24	10.00.187	Lock washer AZ 4	
25	40.02.145	Heating element 4X1400W	
26	20.00.714	Graphit plate big for heating element 5600W	
27	1105.0121V	Hex combination nut M5 galv	
28	46.00.123	Mounting device thermocouple for heating element	
29	20.00.983	Mounting device for Bimetall switch	
30	20.00.987	Graphit plate for Bimetall switch	
31	40.02.337	Safety temperature limiter 215°C	
32	40.02.335	Bimetal switch 110°	
33	10.00.675	O-ring f. pan valve 17.3 x 2.4	
34	20.00.993	Gasket for plug pan valve	
35	20.00.905	Sheath for pan valve	
36	20.00.972	Plug for pan valve	

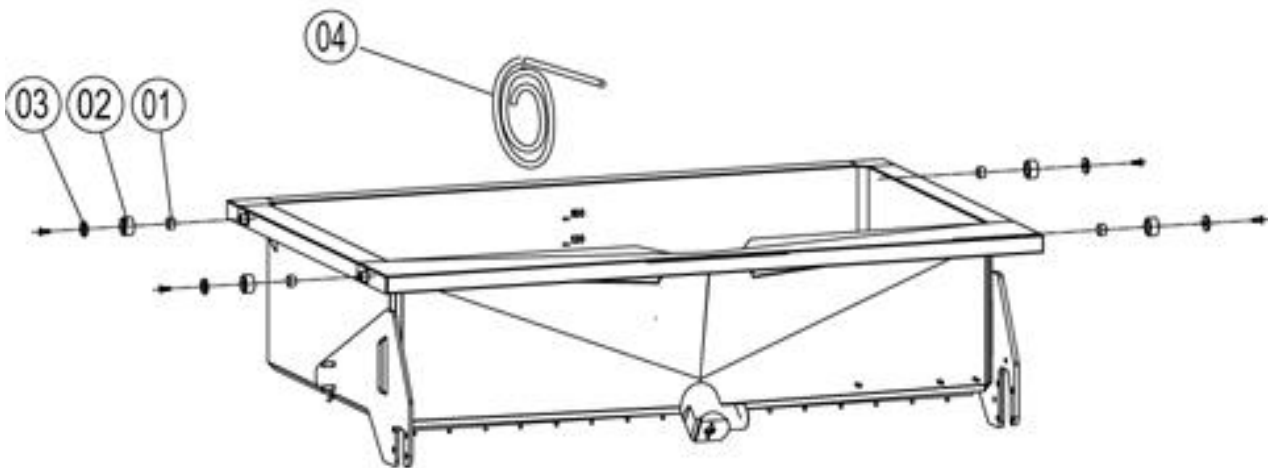
Pan as of 10/06 up to 11/06



Pan as of 10/06 up to 11/06

Pos.	Part no.	Description	Qty.
37	1005.0663V	Allen screw M5x10	
38	87.00.475	Discharge pipe of pan	
39	10.00.773	Hose clamp d49,8mm	
40	10.00.774	Hose clamp d52mm	
41	1008.0767V	Hex screw M8x40	
42	20.00.856	Thermocouple pan	

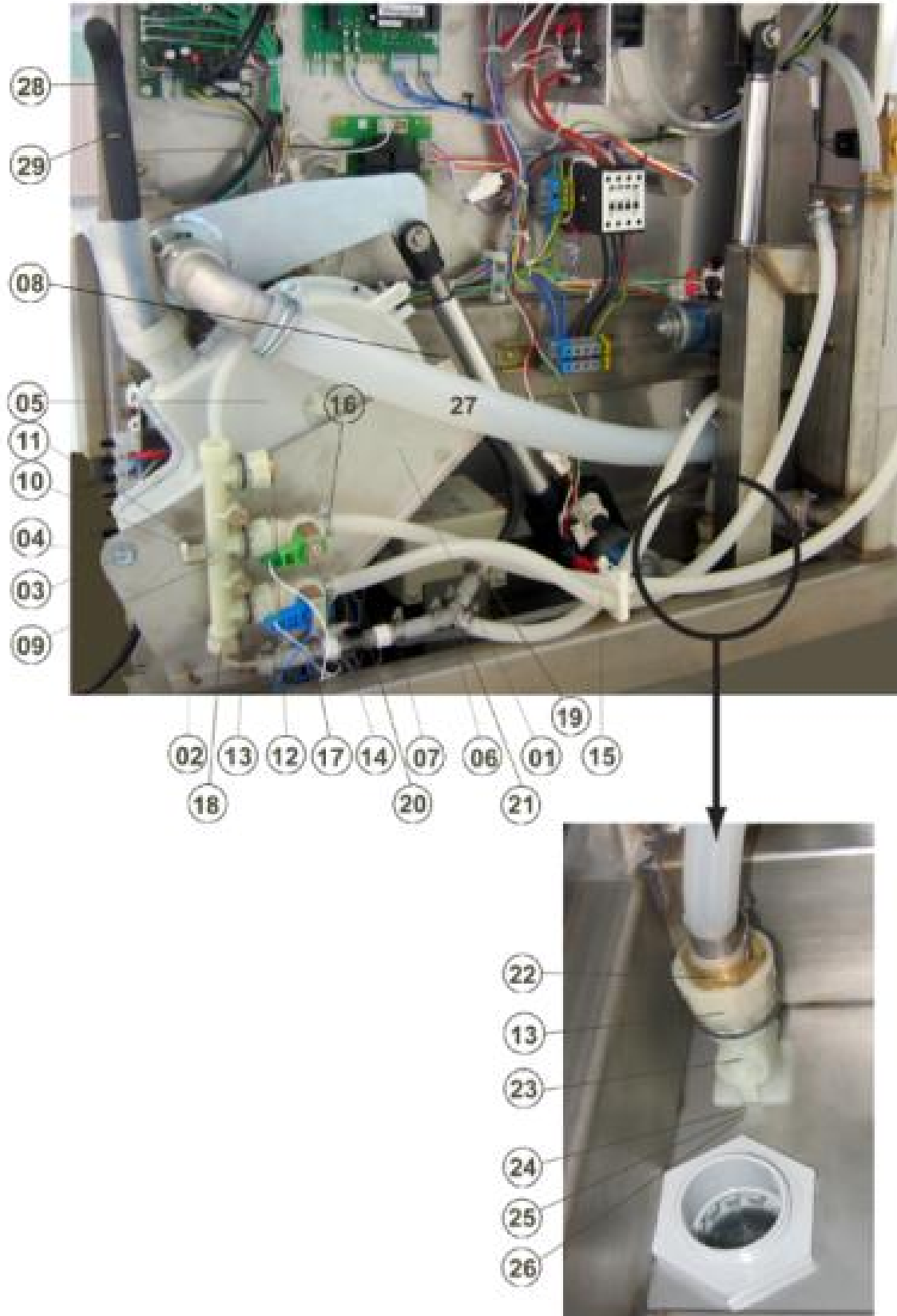
Pan



Pan

Pos.	Part no.	Description	Qty.
1	20.00.884	Ring MB 16/10	
2	20.00.888	Locking roller pan	
3	20.00.818	Washer maintenance roller bolt	
4	87.00.112	Foam gasket	

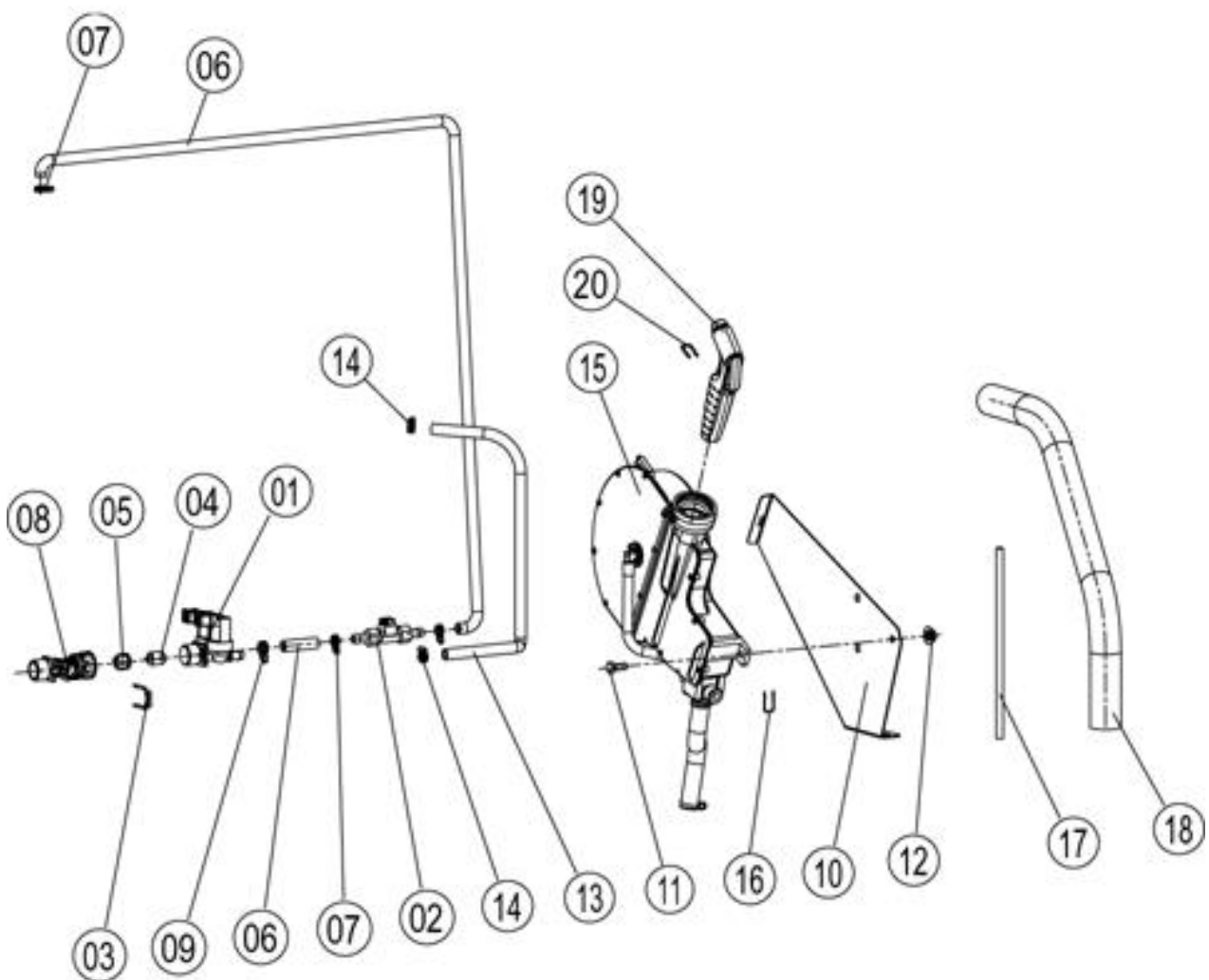
Water distribution - hand shower roll guide as of 01/05



Water distribution - hand shower roll guide as of 01/05

Pos.	Part no.	Description	Qty.
1	12.00.616	Shower roll guide holder	
2	1106.0803V	Hex combination nut M6 galv	
3	10.00.607	Hex combination nut M8	
4	1008.0760V	Hex screw M8x16	
5	50.00.552	Hand shower roll guide VCC	
6	24.01.232	Silicone hose 6x9	
7	10.00.656	Hose clamp D9.1	
8	10.00.638	Slotted countersunk head screw M6X60	
9	8664.1007V	Water distribution unit	
10	50.00.562	"Plug brass F 1/2""	
11	50.00.599	Gasket TESNIT 20x12x2 1/2"	
12	50.00.592	"Plug brass M 3/4""	
13	5110.1024V	Gasket for G3/4" threaded joint	
14	50.00.316	Single solenoid valve	
15	2067.0050V	Pressure hose d10mm	
16	2066.0530V	Hose clamp ø16.4mm	
17	50.00.139	Single solenoid valve	
18	16.00.402	"Elbow fitting to crimp 3/4"" D12"	
19	50.00.348	Hose clamp 12.22 L9	
20	40.01.311	Water volume sensor Vision 2000 3/8"	
21	54.01.388	T-fitting TS10 brass	
22	50.00.600	"Elbow fitting to crimp M3/4"" D13"	
23	50.00.073	Water distribution vert w/o roll guide con.	
24	50.00.086	Locking plate f. water distribution	
25	1900.0202V	Water filter	
26	50.00.078	Non return valve DW16/DN12	
27	87.00.475	Discharge pipe of pan	
28	50.00.590	Hand shower blue	
29	50.00.156	Clamp f. hand shower roll guide	

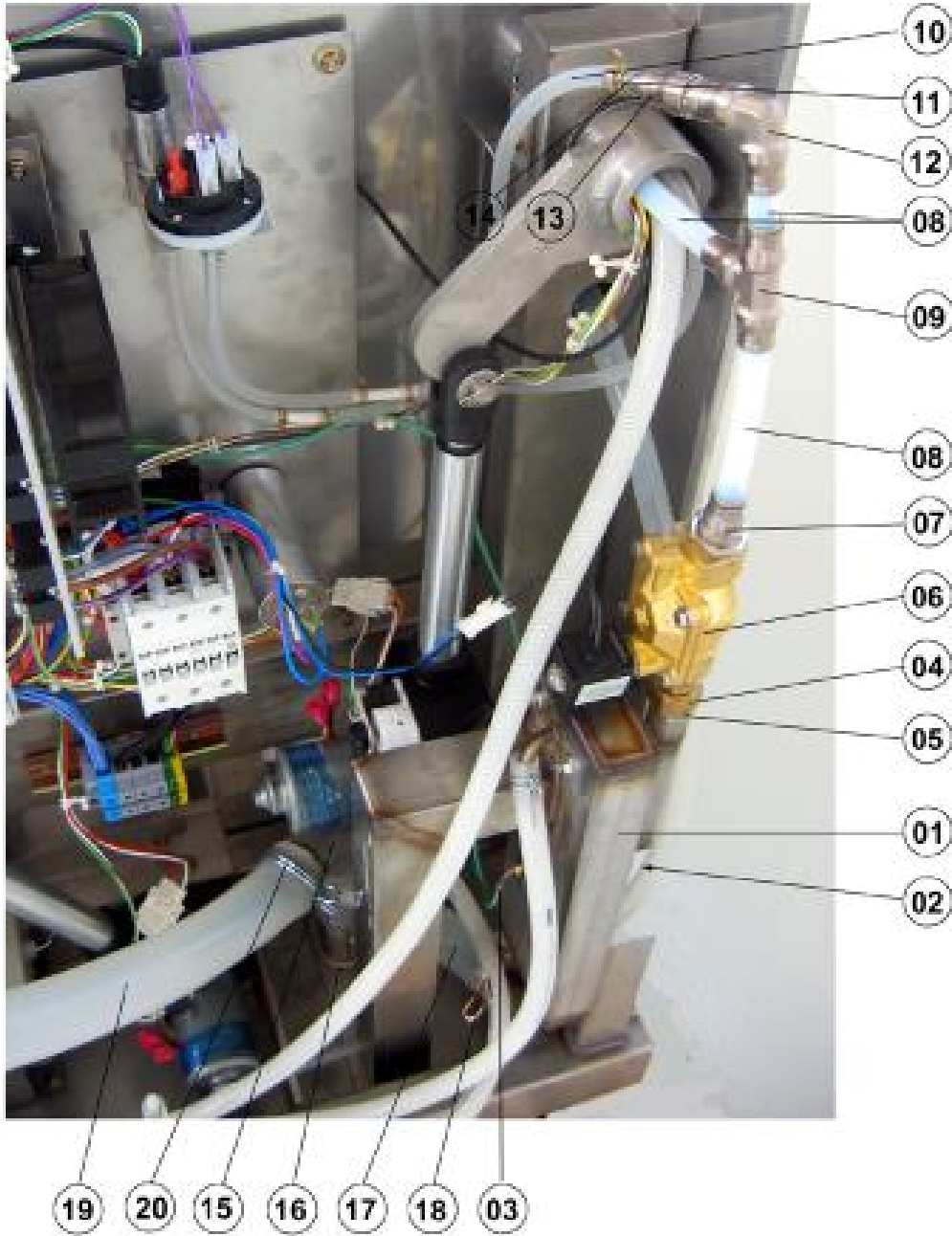
Water distribution - hand shower roll guide as of 02/06



Water distribution - hand shower roll guide as of 02/06

Pos.	Part no.	Description	Qty.
1	50.00.643	Double solenoid valve	
2	40.02.350	Water volume sensor with wire 211/311	
3	50.00.086	Locking plate f. water distribution	
4	50.00.078	Non return valve DW16/DN12	
5	1900.0202V	Water filter	
6	50.00.568	Silicone hose diameter out 14mm in 8mm	
7	2066.0527V	Hose clamp ø14mm	
8	50.00.072	Water distribution vert roll guide con.	
9	2066.0530V	Hose clamp ø16.4mm	
10	12.00.616	Shower roll guide holder	
11	1008.0763V	Hex screw M8x20	
12	10.00.607	Hex combination nut M8	
13	2067.0050V	Pressure hose d10mm	
14	50.00.348	Hose clamp 12.22 L9	
15	50.00.626	Hand shower roll guide VCC	
16	50.00.085	Plug-in spring f. hand shower roll guide	
17	24.01.232	Silicone hose 6x9	
18	87.00.475	Discharge pipe of pan	
19	50.00.590	Hand shower blue	
20	50.00.156	Clamp f. hand shower roll guide	

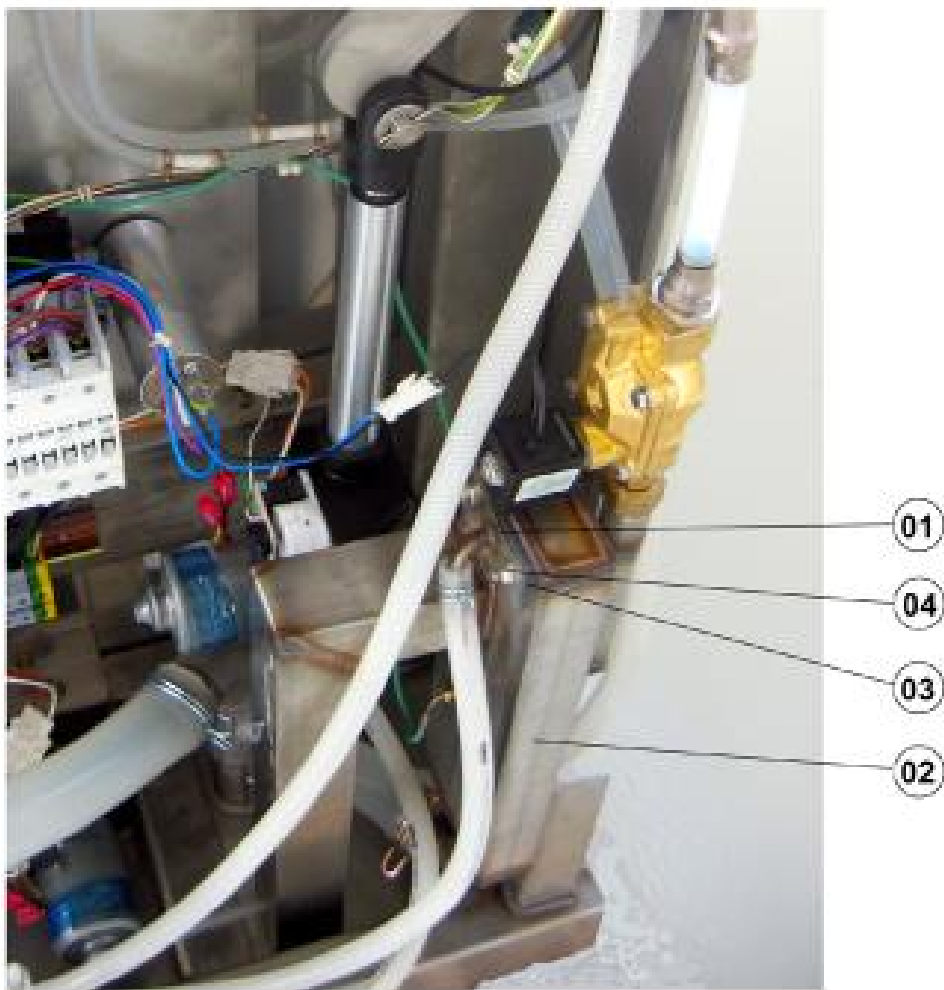
Drain as of 01/05 upto 01/06



Drain as of 01/05 upto 01/06

Pos.	Part no.	Description	Qty.
1		Quenching box	
2	10.00.607	Hex combination nut M8	
3	54.00.479	Thermocouple quenching box	
4	54.00.536	Threaded connection 3/4" 1/2" revolving nut	
5	5110.1024V	Gasket for G3/4" threaded joint	
6	54.00.527	Solenoid valve f. decompression 1/2" d12	
7	54.00.539	Straight threaded joint G1/2 d14	
8	54.00.540	Teflon hose 12/14 HT	
9	54.00.541	T-plug type connection 14	
10	54.00.542	Silicon hose 12/17	
11	2066.0530V	Hose clamp ø16.4mm	
12	54.00.543	Bracket equal 14	
13	54.00.544	Retainable reduction 12/14	
14	54.00.538	Socket fluted 12/8/10	
15	54.00.511	Waste water eacuation	
16	10.00.586	Circlips stainless shaft D 50	
17	24.00.348	Silicone hose D30/40	
18	2066.0526F	Hose clamp ø46mm	
19	87.00.475	Discharge pipe of pan	
20	2066.0531V	Hose clamp ø56	

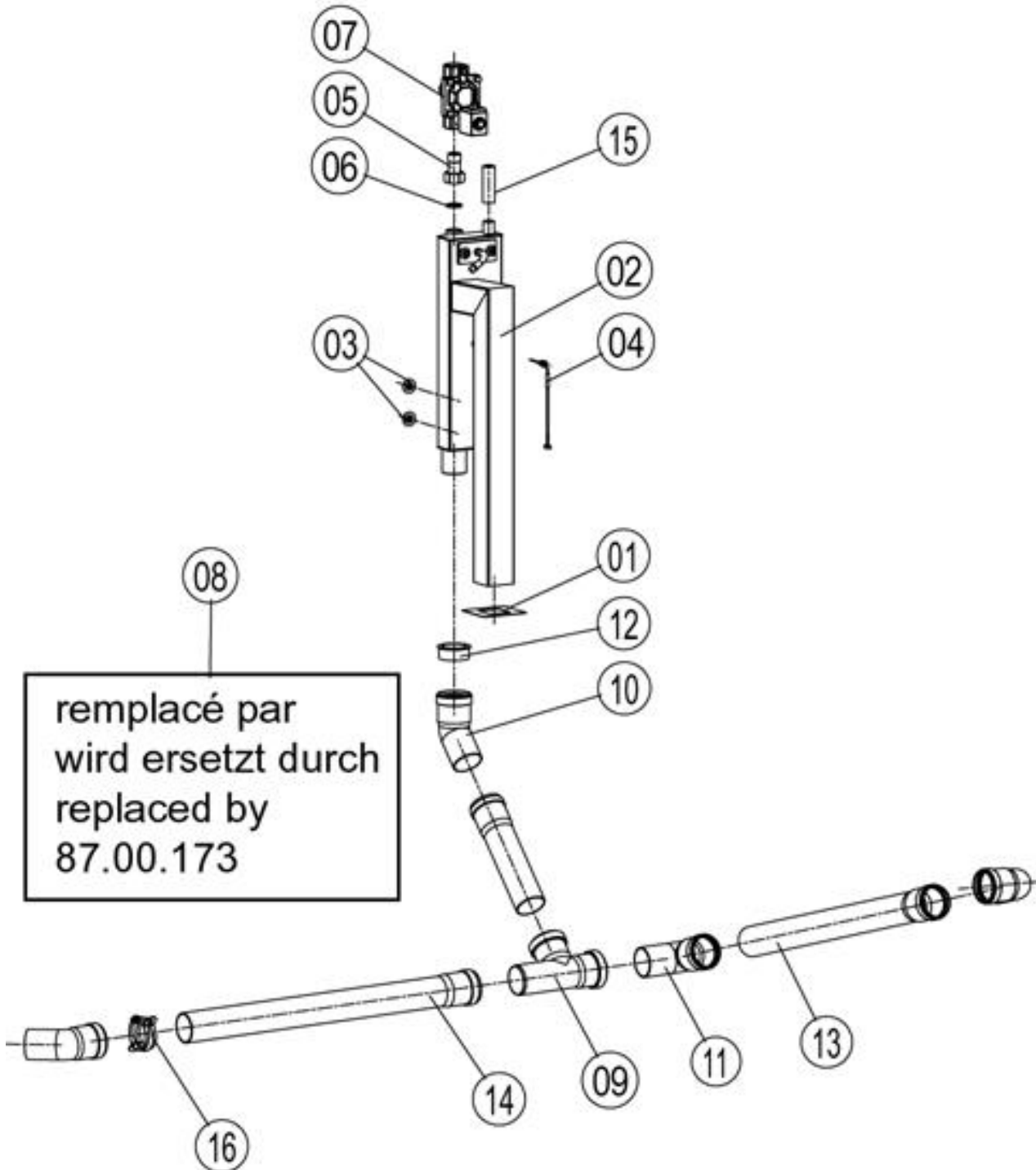
Quenching box



Quenching box

Pos.	Part no.	Description	Qty.
1	2016.0936F	Quenching nozzle 3.9 l/min	
2	54.00.495	Quenching box	
3	54.00.491	Quenching nozzle gasket	
4	1106.0803V	Hex combination nut M6 galv	

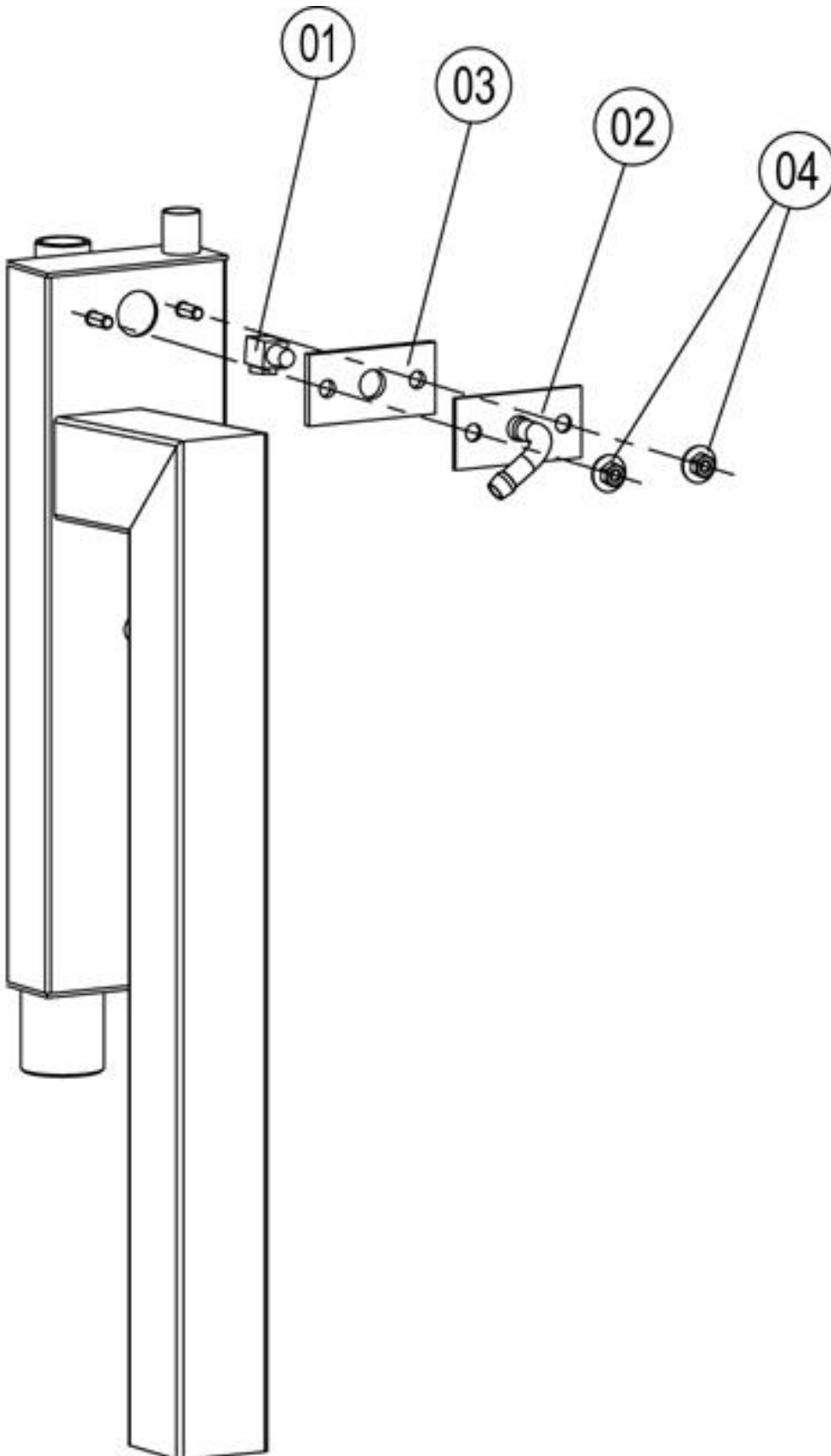
Drain as of 02/06 up to 11/06



Drain as of 02/06 up to 11/06

Pos.	Part no.	Description	Qty.
1	50.00.639	Square seal	
2		Quenching box	
3	10.00.607	Hex combination nut M8	
4	54.00.479	Thermocouple quenching box	
5	54.00.536	Threaded connection 3/4" 1/2" revolving nut	
6	5110.1024V	Gasket for G3/4" threaded joint	
7	54.00.527	Solenoid valve f. decompression 1/2" d12	
8	54.00.539	Straight threaded joint G1/2 d14	
8	54.00.540	Teflon hose 12/14 HT	
8	54.00.541	T-plug type connection 14	
8	54.00.542	Silicon hose 12/17	
8	2066.0530V	Hose clamp ø16.4mm	
8	54.00.543	Bracket equal 14	
8	54.00.544	Retainable reduction 12/14	
8	54.00.538	Socket fluted 12/8/10	
9	54.00.577	Y-Fitting PP DN50 87°	
10	54.00.562	Elbow-pipe PP DN50 45°	
11	54.00.560	Elbow-pipe PP DN50 87°	
12	54.00.588	Bushing PP D50/D40	
13	54.00.564	PP-Pipe DN50 x 150mm	
14	54.00.561	PP-Pipe DN50 x 500mm	
15	24.01.231	Silicone hose 16/20	
16	54.00.566	Pipe clamp D50	

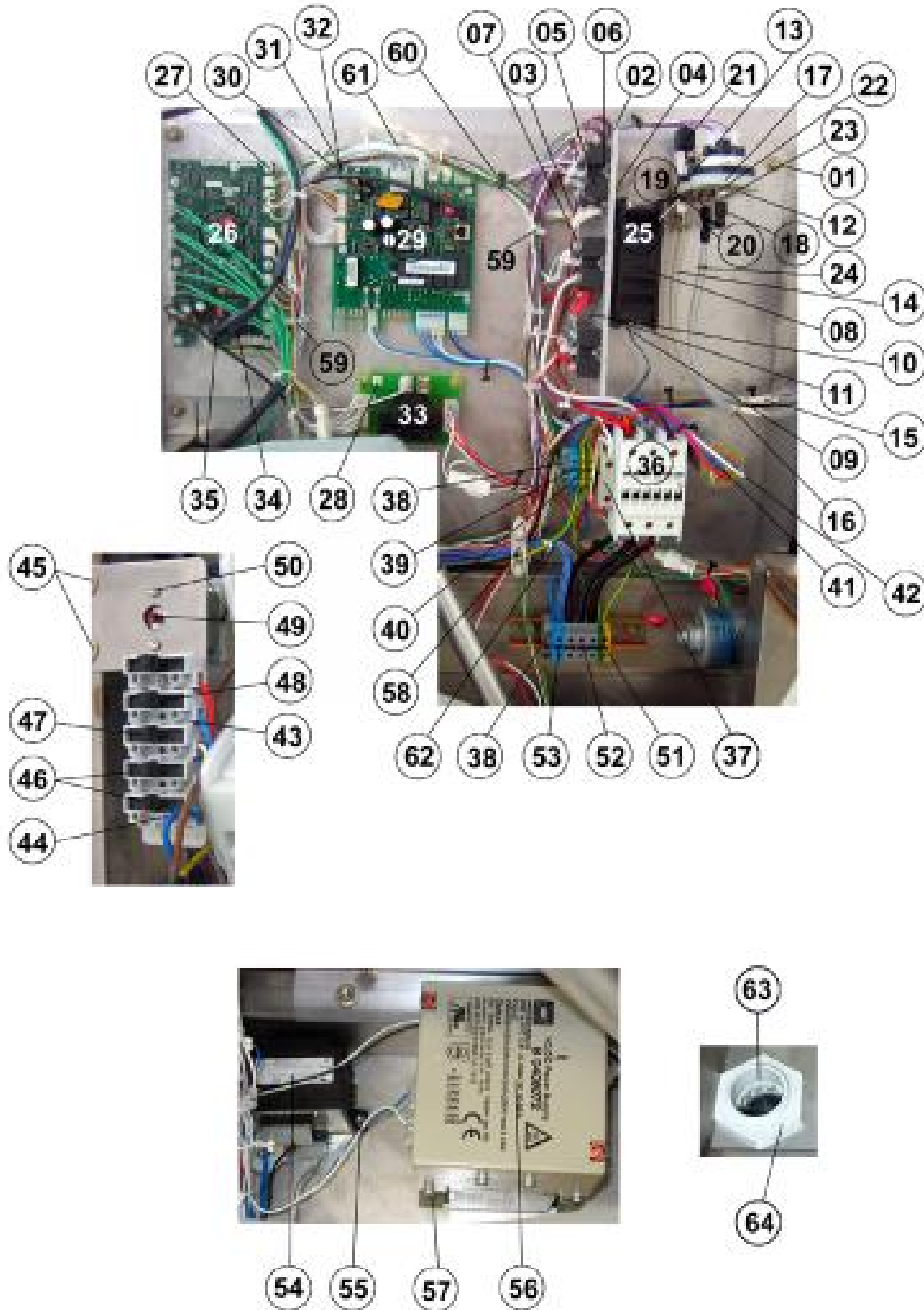
Quenching box



Quenching box

Pos.	Part no.	Description	Qty.
1	2016.0936F	Quenching nozzle 3.9 l/min	
2	54.00.492	Welded nipple	
3	54.00.491	Quenching nozzle gasket	
4	1106.0803V	Hex combination nut M6 galv	

Electrical installation as of 01/05 up to 12/05



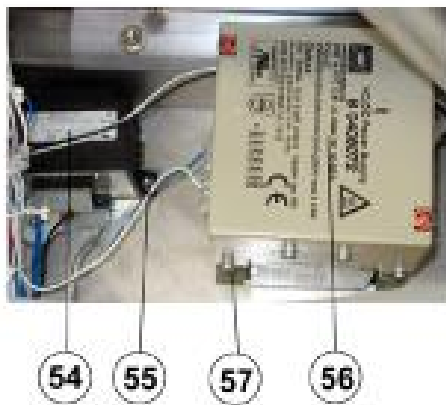
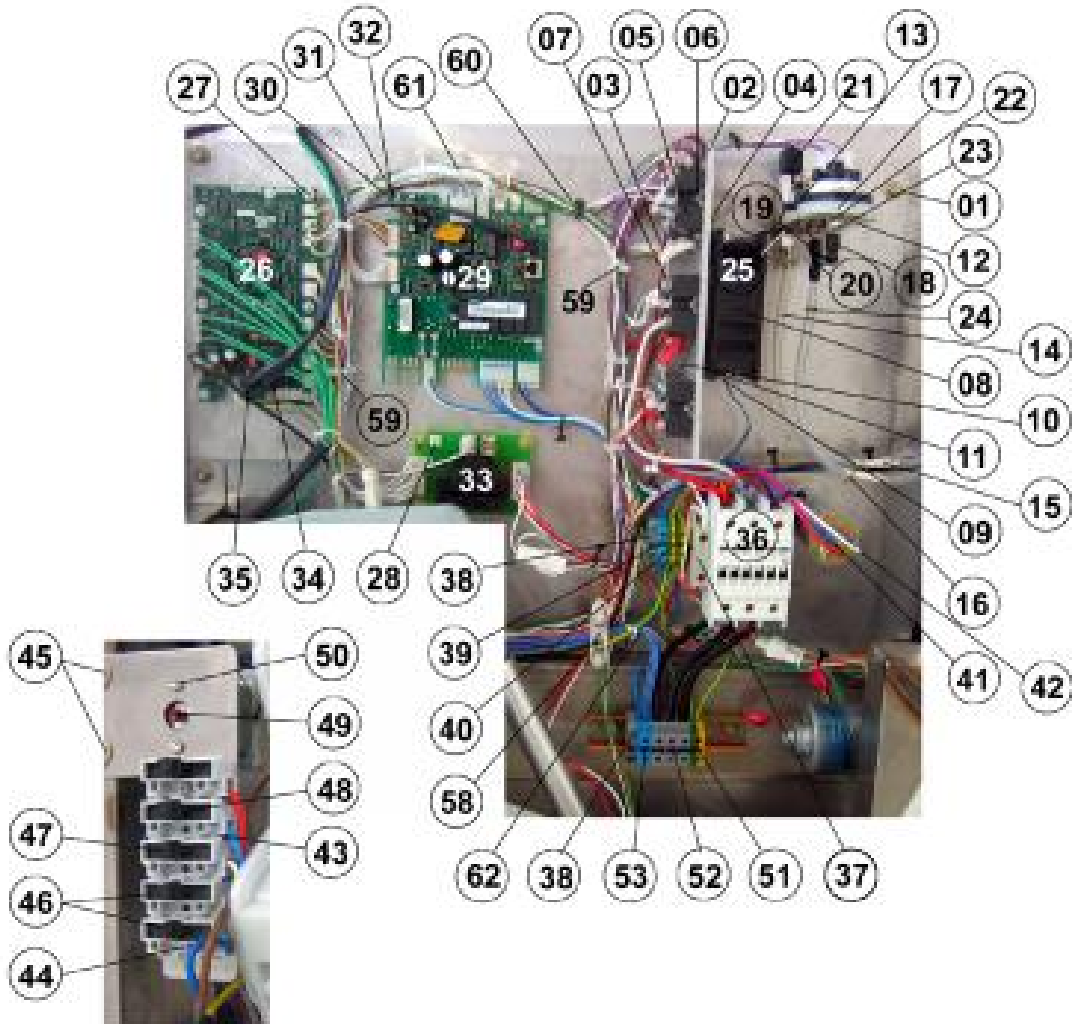
Electrical installation as of 01/05 up to 12/05

Pos.	Part no.	Description	Qty.
1	1106.0803V	Hex combination nut M6 galv	
2	2930.1304V	Cooling plate solid state relay	
3	1004.0663V	Allen screw M4x12	
4	1104.0122F	Hex combination nut M4 galv	
5	40.00.453	Solid state relais	
6	1004.0500F	Raised countersunk metal screw M4x8 oval head	
7	10.00.507	Pan head screw Torx 5/16" T20	
8	3101.1008V	Cooling fan	
9	40.01.996	Distance bush PA d12/5x7.2	
10	1004.0662V	Allen screw M4x25	
11	1104.0121V	Hex nut M4 self locking	
12	12.00.610	Pressostat holder	
13	40.00.750	Pressure switch 200mbar	
14	24.01.232	Silicone hose 6x9	
15	1900.0203F	Ceramic tube 40mm for	
16	10.00.656	Hose clamp D9.1	
17	40.02.048	Pressure switch 25 mbar	
18	40.00.751	- RACCORD INST. COUDE EGAL 4/6	
19	24.00.366	- Teflonschlauch 4/6 HT	
20	40.00.726	- TE RAPIDE 3X6	
21	40.01.970	Pressure sensor	
22	50.00.564	Adapter fluting pressure sensor	
23	40.02.014	O-ring NITRILE D16	
24	2066.0532F	Hose clamp ø11.9	
25	10.00.423	Washer M12 A2	
26	42.00.039	Relay-I/O pcb A4	
27	40.02.047	Fixing clip white p/1.6mm	
28	40.00.417F	Fixing clip f. pcb	
29	42.00.055V	Relay-I/O pcb	
30	40.02.015	Distance nut PA H10 x 4.3 D.8MM	
31	1104.0120V	Hex nut M4	
32	10.00.187	Lock washer AZ 4	
33	42.00.038	Relay pcb (5 Relay)	
34	40.01.091	Bus cable 0.4m	
35	40.00.471	Bus cable 0.8m	
36	40.01.557	Contacteur CL06A300M6-M	

Electrical installation as of 01/05 up to 12/05

Pos.	Part no.	Description	Qty.
37	40.00.461	Auxiliary contact BCLL11-M	
38	40.00.764	End plate for mounting rail	
39	40.00.707	Terminal block 6qmm blue	
40	40.00.705	Terminal block 6qmm g/y	
41	40.00.465	Electronic noise filter	
42	10.00.607	Hex combination nut M8	
43	4001.1295V	Fuse holder e 1003Si/1DS	
44	10.00.144	Socket cap screw M3x16mm	
45	10.00.632	Hex combination nut M3	
46	4001.0226V	Fuse 6.35x32mm 16A, time-lag	
47	4001.0224V	Fuse 6.35x32mm 6,3A slow-blow	
48	40.01.941	Fuse 6.35x32mm 250V 8A	
49	40.00.673	Safety temperature limiter 220° (Oil too hot)	
50	1004.0023F	Slotted pan head screw M4x6	
51	40.00.639	Terminal block 25qmm g/y	
52	40.00.823	Terminal block 25qmm grey	
53	40.00.826	Terminal block 25qmm blue	
54	40.00.277	Control transformer	
55	1105.0120V	Hex nut M5	
56	40.01.712	Transformer	
57	1105.0121V	Hex combination nut M5 galv	
58	10.00.111	Cable clip long	
59	10.00.418	Bundle guide big	
60	10.00.471F	Cable clip d10-12mm	
61	10.00.472F	Cable clip d13,5-16mm	
62	40.01.946	Bundle power supply contactor entry	
62	40.01.947	Control harness K1 contactor exit	
62	40.01.948	Control harness	
62	40.01.978	Heating element safety chain bundle	
62	40.01.963	Pressure safety chain bundle	
62	40.01.919	Cable X46-X10	
62	40.01.893	Power supply cable X14 X112	
62	40.01.891	Cable X24-X127	
62	40.01.944	Cable X13 X126	
62	40.01.961	Cable X128	
62	40.01.894	Cable Water volume sensor X15	

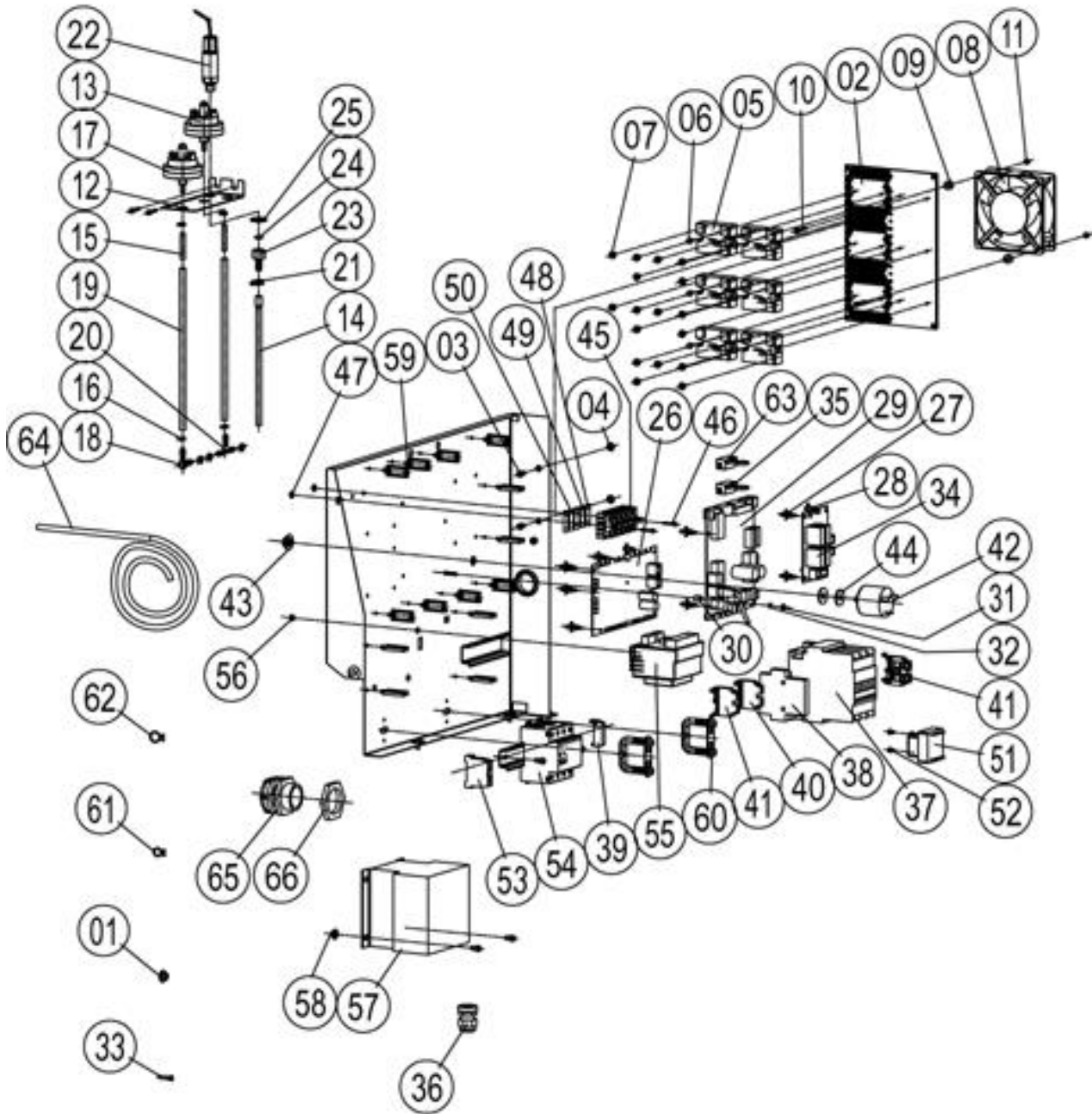
Electrical installation as of 01/05 up to 12/05



Electrical installation as of 01/05 up to 12/05

Pos.	Part no.	Description	Qty.
62	40.01.912	Cable pan valve X25	
62	40.01.907	Cable solenoide X19 01/05	
62	40.01.895	Cable I/O A4 pcb1 X117	
62	40.01.896	Cable I/O A4 pcb X118	
62	40.01.897	Cable I/O A4 pcb X119	
62	40.01.898	Cable I/O A4 pcb X120	
62	40.01.899	Cable I/O A4 pcb X121	
62	40.01.900	Cable I/O A4 pcb X122	
62	40.02.013	Cable X18-solenoide valve NO	
63	40.00.701	Screwed cable gland polyamid PG40	
64	10.00.116	Fixing nut for cable gland PG40 polyamid	

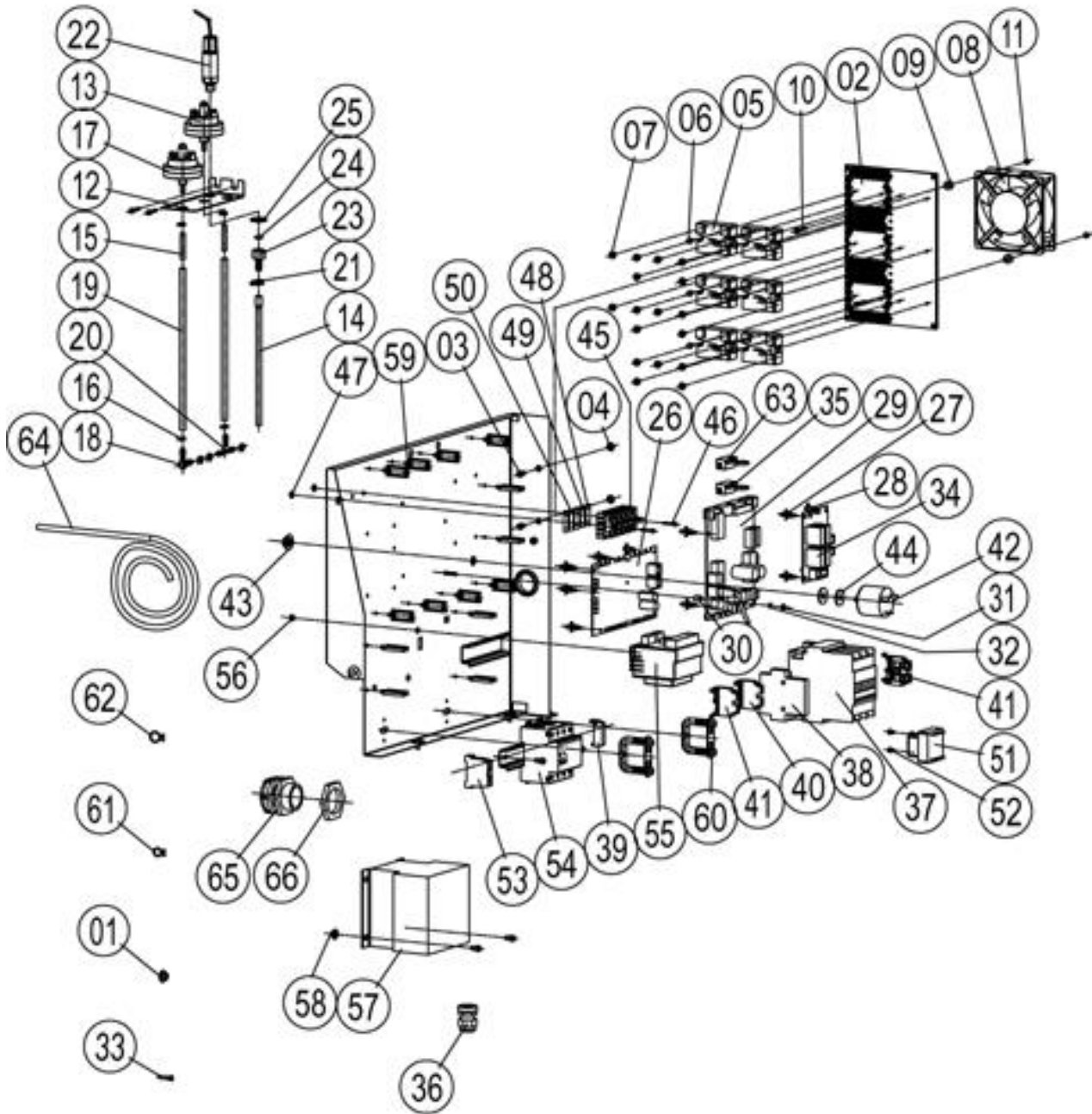
Electrical installation as of 01/06 up to 01/06



Electrical installation as of 01/06 up to 01/06

Pos.	Part no.	Description	Qty.
1	1106.0803V	Hex combination nut M6 galv	
2	2930.1304V	Cooling plate solid state relay	
3	1004.0663V	Allen screw M4x12	
4	1104.0122F	Hex combination nut M4 galv	
5	40.00.453	Solid state relais	
6	10.00.444	Raised countersunk head screw Torx M4x8	
7	10.00.507	Pan head screw Torx 5/16" T20	
8	3101.1008V	Cooling fan	
9	40.01.996	Distance bush PA d12/5x7.2	
10	1004.0662V	Allen screw M4x25	
11	1104.0121V	Hex nut M4 self locking	
12	12.00.610	Pressostat holder	
13	40.00.750	Pressure switch 200mbar	
14	24.01.232	Silicone hose 6x9	
15	1900.0203F	Ceramic tube 40mm for	
16	10.00.656	Hose clamp D9.1	
17	40.02.048	Pressure switch 25 mbar	
18	40.00.751	- RACCORD INST. COUDE EGAL 4/6	
19	24.00.366	- Teflonschlauch 4/6 HT	
20	40.00.726	- TE RAPIDE 3X6	
21	24.00.366	- Teflonschlauch 4/6 HT	
22	40.01.970	Pressure sensor	
23	50.00.564	Adapter fluting pressure sensor	
24	40.02.014	O-ring NITRILE D16	
25	10.00.423	Washer M12 A2	
26	42.00.039	Relay-I/O pcb A4	
27	40.02.047	Fixing clip white p/1.6mm	
28	40.00.417F	Fixing clip f. pcb	
29	42.00.055V	Relay-I/O pcb	
30	40.02.015	Distance nut PA H10 x 4.3 D.8MM	
31	1104.0120V	Hex nut M4	
32	10.00.187	Lock washer AZ 4	
33	10.00.626	Hex socket head cap screw A2 M4X20	
34	42.00.038	Relay pcb (5 Relay)	
35	40.00.338	Energy_opt.-terminal *screw typ*	
36	40.00.320	Cable connection M20x1.5	

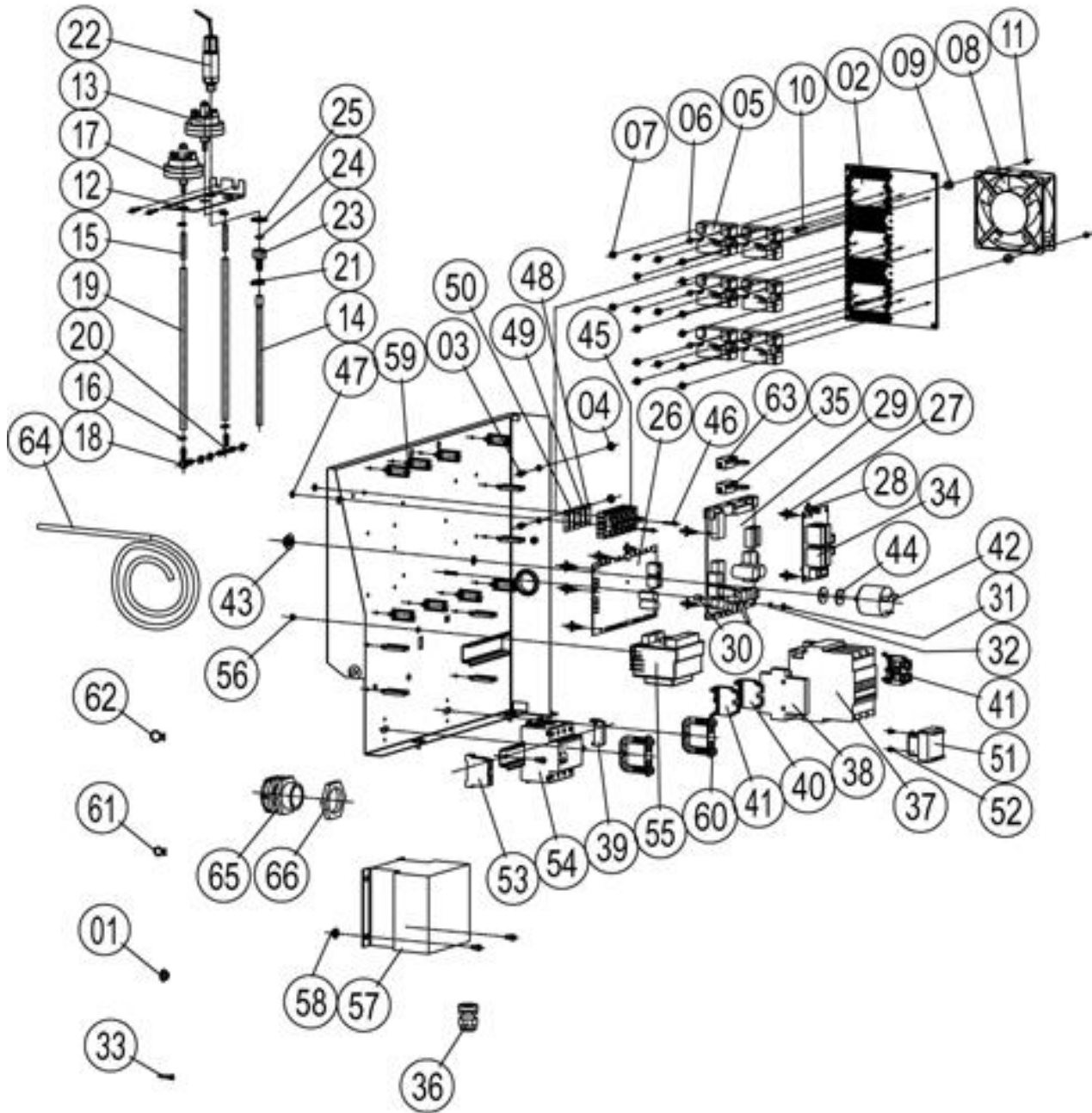
Electrical installation as of 01/06 up to 01/06



Electrical installation as of 01/06 up to 01/06

Pos.	Part no.	Description	Qty.
37	40.01.557	Contacteur CL06A300M6-M	
38	40.00.461	Auxiliary contact BCLL11-M	
39	40.00.764	End plate for mounting rail	
40	40.00.707	Terminal block 6qmm blue	
41	40.00.705	Terminal block 6qmm g/y	
42	40.02.471	Electronic noise filter	
43	10.00.607	Hex combination nut M8	
44	1308.0161V	Washer A8,4	
45	4001.1295V	Fuse holder e 1003Si/1DS	
46	10.00.144	Socket cap screw M3x16mm	
47	10.00.632	Hex combination nut M3	
48	4001.0226V	Fuse 6.35x32mm 16A, time-lag	
49	4001.0224V	Fuse 6.35x32mm 6,3A slow-blow	
50	40.01.941	Fuse 6.35x32mm 250V 8A	
51	40.00.673	Safety temperature limiter 220° (Oil too hot)	
52	1004.0023F	Slotted pan head screw M4x6	
53	40.00.639	Terminal block 25qmm g/y	
54	40.02.140	Differential switch	
55	40.00.277	Control transformer	
56	1105.0120V	Hex nut M5	
57	40.01.712	Transformer	
58	1105.0121V	Hex combination nut M5 galv	
59	10.00.111	Cable clip long	
60	10.00.418	Bundle guide big	
61	10.00.471F	Cable clip d10-12mm	
62	10.00.472F	Cable clip d13,5-16mm	
63	40.01.776F	Energy_opt.-terminal *crimp type*	
64	40.01.091	Bus cable 0.4m	
64	40.00.471	Bus cable 0.8m	
64	40.02.142	Control harness fault current switch 211/311	
64	40.01.946	Bundle power supply contactor entry	
64	40.01.947	Control harness K1 contactor exit	
64	40.01.948	Control harness	
64	40.01.963	Pressure safety chain bundle	
64	40.01.919	Cable X46-X10	
64	40.01.893	Power supply cable X14 X112	

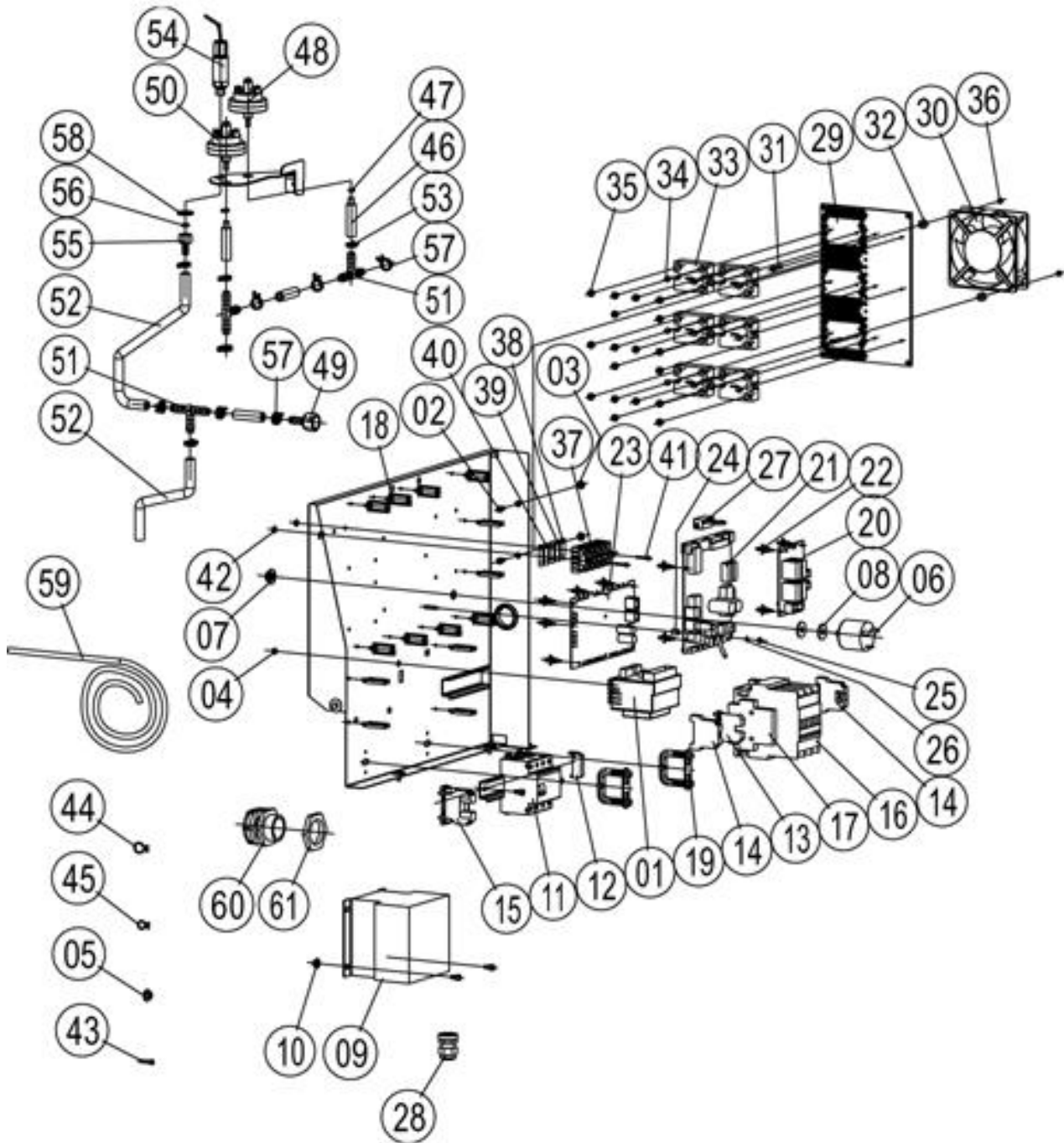
Electrical installation as of 01/06 up to 01/06



Electrical installation as of 01/06 up to 01/06

Pos.	Part no.	Description	Qty.
64	40.01.891	Cable X24-X127	
64	40.01.944	Cable X13 X126	
64	40.01.961	Cable X128	
64	40.01.894	Cable Water volume sensor X15	
64	40.01.907	Cable solenoide X19 01/05	
64	40.01.895	Cable I/O A4 pcb1 X117	
64	40.01.896	Cable I/O A4 pcb X118	
64	40.01.897	Cable I/O A4 pcb X119	
64	40.01.898	Cable I/O A4 pcb X120	
64	40.01.899	Cable I/O A4 pcb X121	
64	40.01.900	Cable I/O A4 pcb X122	
64	40.02.013	Cable X18-solenoide valve NO	
65	40.00.701	Screwed cable gland polyamid PG40	
66	10.00.116	Fixing nut for cable gland PG40 polyamid	

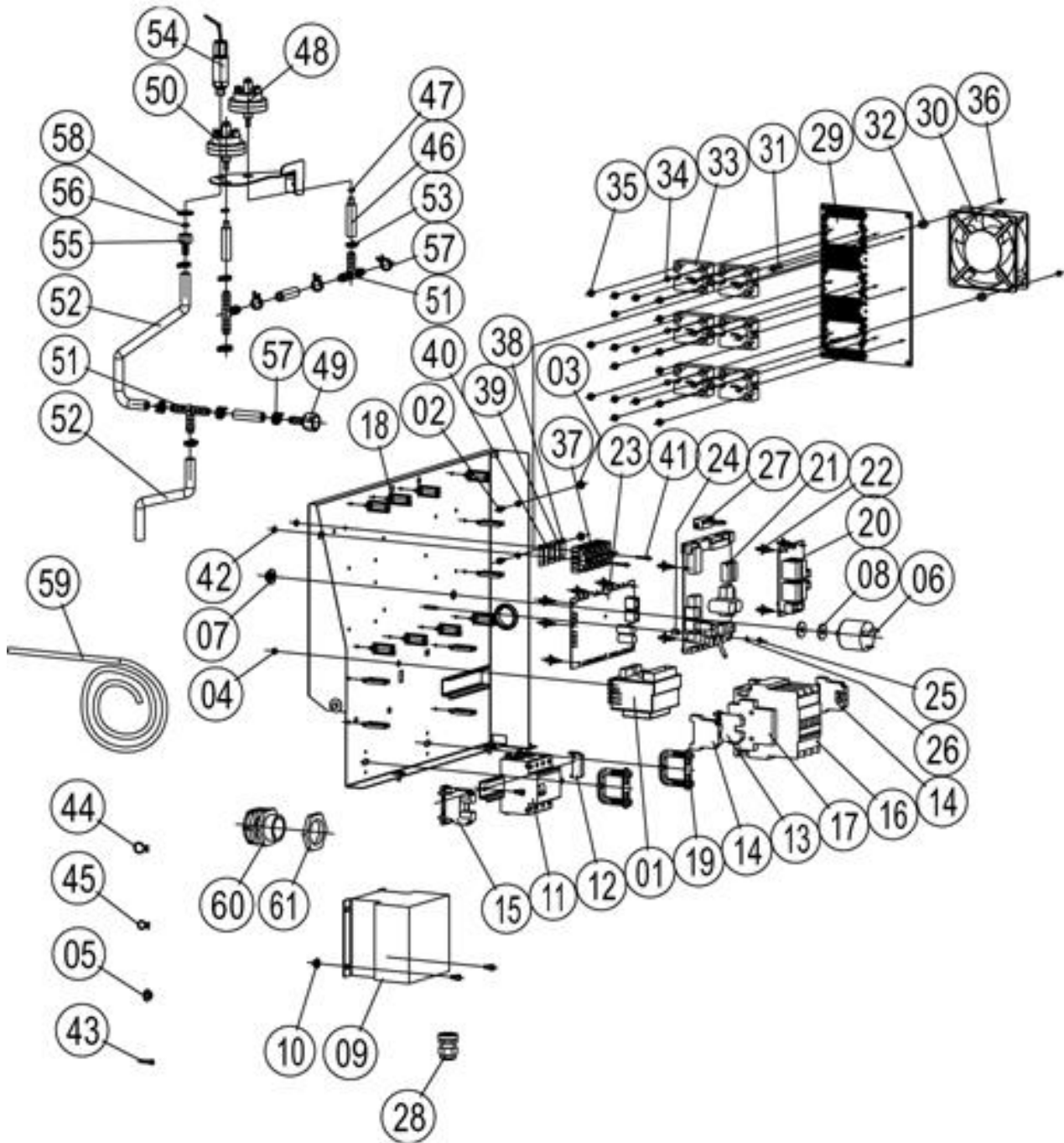
Electrical installation as of 02/06 up to 11/06



Electrical installation as of 02/06 up to 11/06

Pos.	Part no.	Description	Qty.
1	40.00.277	Control transformer	
2	1004.0663V	Allen screw M4x12	
3	1104.0122F	Hex combination nut M4 galv	
4	1105.0120V	Hex nut M5	
5	1106.0803V	Hex combination nut M6 galv	
6	40.02.471	Electronic noise filter	
7	10.00.607	Hex combination nut M8	
8	1308.0161V	Washer A8,4	
9	40.01.712	Transformer	
10	1105.0121V	Hex combination nut M5 galv	
11	40.02.140	Differential switch	
12	40.00.764	End plate for mounting rail	
13	4001.1250V	Terminal block 16mm ² blue	
14	4001.1210F	Earth terminal 16mm ² yellow/green	
15	4001.1233V	Terminal block yellow/green 35mm ²	
16	40.01.557	Contacteur CL06A300M6-M	
17	40.00.461	Auxiliary contact BCLL11-M	
18	10.00.111	Cable clip long	
19	10.00.418	Bundle guide big	
20	42.00.038	Relay pcb (5 Relay)	
21	42.00.055V	Relay-I/O pcb	
22	40.02.047	Fixing clip white p/1.6mm	
23	42.00.039	Relay-I/O pcb A4	
24	40.02.015	Distance nut PA H10 x 4.3 D.8MM	
25	1104.0120V	Hex nut M4	
26	10.00.187	Lock washer AZ 4	
27	40.00.338	Energy_opt.-terminal *screw typ*	
28	40.00.320	Cable connection M20x1.5	
29	2930.1304V	Cooling plate solid state relay	
30	3101.1008V	Cooling fan	
31	1004.0662V	Allen screw M4x25	
32	40.01.996	Distance bush PA d12/5x7.2	
33	40.01.589	Solid state relais	
34	10.00.444	Raised countersunk head screw Torx M4x8	
35	10.00.507	Pan head screw Torx 5/16" T20	
36	1104.0121V	Hex nut M4 self locking	

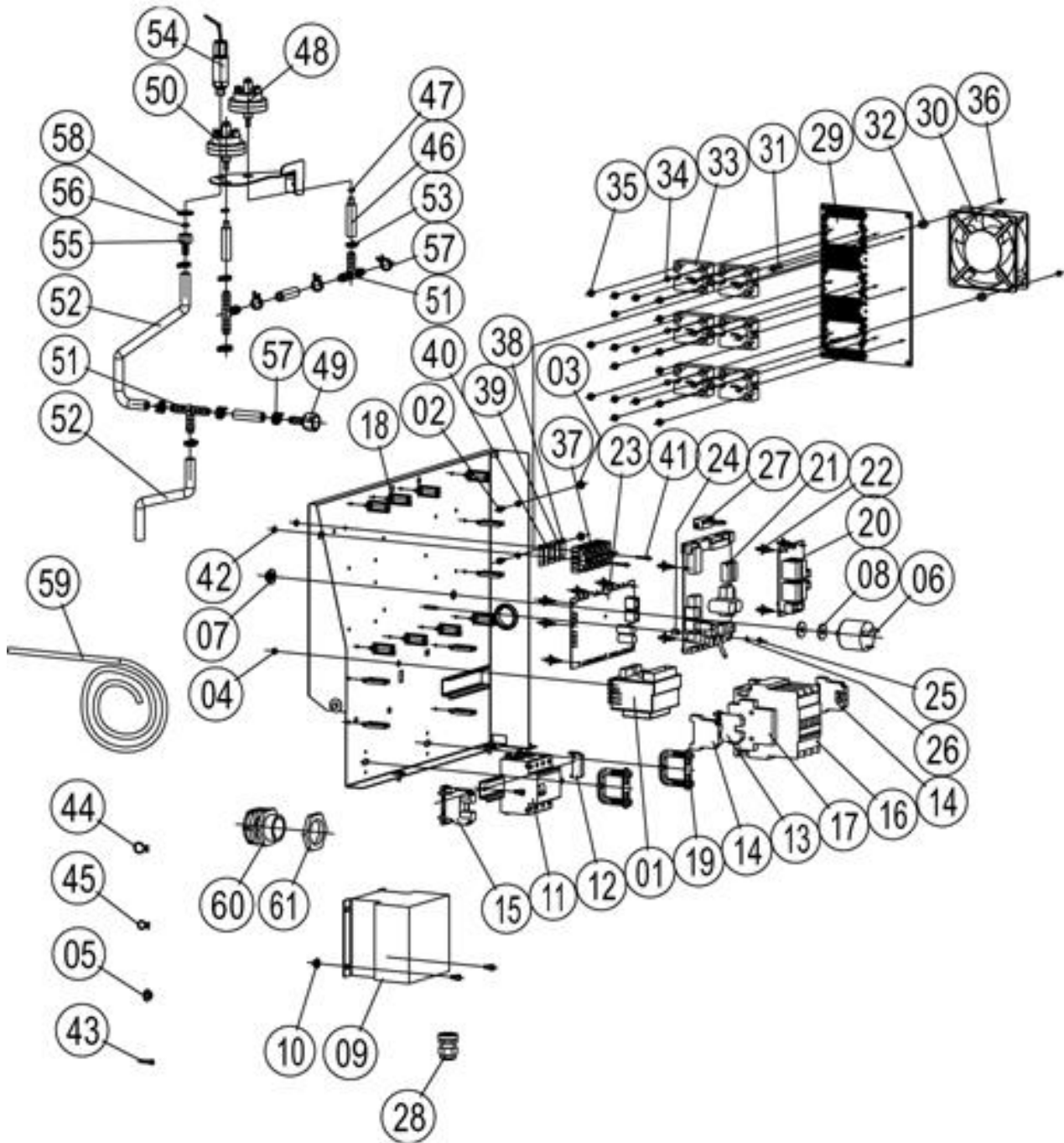
Electrical installation as of 02/06 up to 11/06



Electrical installation as of 02/06 up to 11/06

Pos.	Part no.	Description	Qty.
37	4001.1295V	Fuse holder e 1003Si/1DS	
38	4001.0224V	Fuse 6.35x32mm 6,3A slow-blow	
39	40.01.941	Fuse 6.35x32mm 250V 8A	
40	4001.0226V	Fuse 6.35x32mm 16A, time-lag	
41	10.00.611	Hex socket head cap screw A2 M3X20	
42	10.00.632	Hex combination nut M3	
43	10.00.626	Hex socket head cap screw A2 M4X20	
44	10.00.472F	Cable clip d13,5-16mm	
45	10.00.471F	Cable clip d10-12mm	
46	22.00.508	Connecting nipple 112-311P	
47	10.00.656	Hose clamp D9.1	
48	40.00.750	Pressure switch 200mbar	
49	50.00.664	Connecting nipple F1/2 D10	
50	40.02.048	Pressure switch 25 mbar	
51	54.01.388	T-fitting TS10 brass	
52	50.00.568	Silicone hose diameter out 14mm in 8mm	
53	2066.0527V	Hose clamp ø14mm	
54	40.02.348	Pressure sensor left	
55	50.00.655	Fitting F1/4 D9	
56	40.02.014	O-ring NITRILE D16	
57	2066.0530V	Hose clamp ø16.4mm	
58	10.00.423	Washer M12 A2	
59	40.01.944	Cable X13 X126	
59	40.01.919	Cable X46-X10	
59	40.01.893	Power supply cable X14 X112	
59	40.02.013	Cable X18-solenoide valve NO	
59	40.01.907	Cable solenoide X19 01/05	
59	40.01.963	Pressure safety chain bundle	
59	40.01.947	Control harness K1 contactor exit	
59	40.01.946	Bundle power supply contactor entry	
59	40.01.948	Control harness	
59	40.01.895	Cable I/O A4 pcb1 X117	
59	40.01.896	Cable I/O A4 pcb X118	
59	40.01.897	Cable I/O A4 pcb X119	
59	40.01.898	Cable I/O A4 pcb X120	
59	40.01.899	Cable I/O A4 pcb X121	

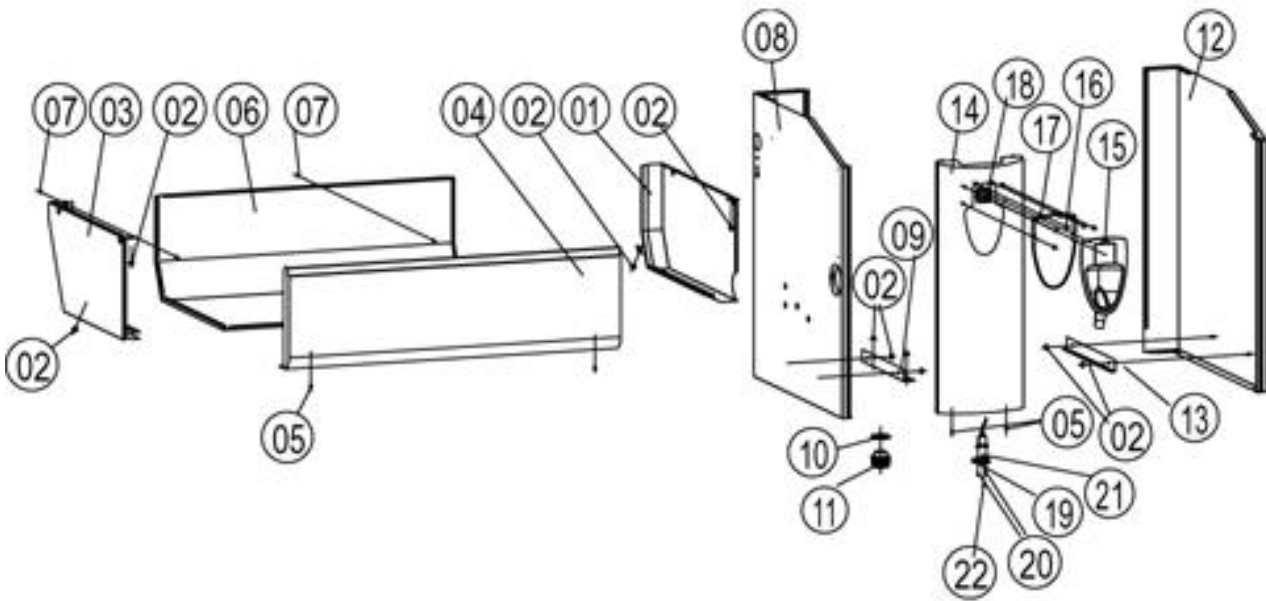
Electrical installation as of 02/06 up to 11/06



Electrical installation as of 02/06 up to 11/06

Pos.	Part no.	Description	Qty.
59	40.01.900	Cable/O A4 pcb X122	
59	40.02.358	Cable X24-X127 211/311	
59	40.01.961	Cable X128	
59	40.00.471	Bus cable 0.8m	
59	40.01.091	Bus cable 0.4m	
60	40.00.701	Screwed cable gland polyamid PG40	
61	10.00.116	Fixing nut for cable gland PG40 polyamid	

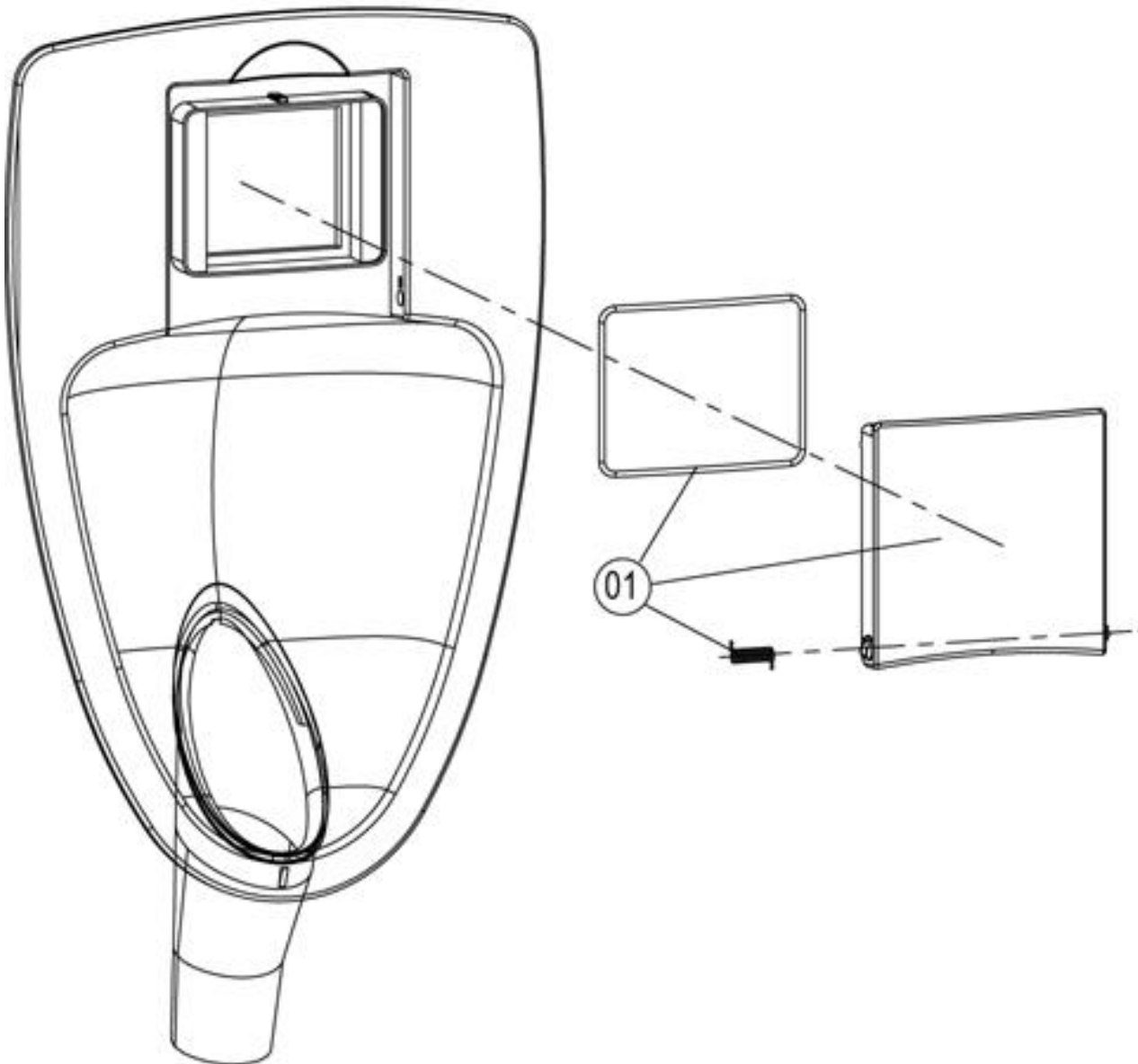
External sheet as of 01/05 up to 11/06



External sheet as of 01/05 up to 11/06

Pos.	Part no.	Description	Qty.
1	16.01.071	Side panel right pan complete	
2	1106.0803V	Hex combination nut M6 galv	
3	20.00.718	Side panel left pan complete	
4	20.00.721	Front panel f. pan	
5	10.00.606	Allen screw M5x8 A2	
6	16.01.076	Pan back panel	
7	10.00.150	Slotted pan head screw M6x12 A2	
8	16.00.838	Side panel for left frame	
9	16.00.839	Mounting bracket side left	
10	10.00.116	Fixing nut for cable gland PG40 polyamid	
11	40.00.701	Screwed cable gland polyamid PG40	
12	16.01.160	Side panel right for console	
13	16.00.841	Mounting bracket console side R	
14	16.00.847	Front panel console	
15	87.00.256	Tulip blue for hand shower part n° 87.00.256	
16	1107.0101V	Star lock ø5	
17	16.00.725	Gasket f. Tulip	
18	40.01.410	Socket 2P+T 16A (Germany)	
19	16.00.329	Cover f. USB interface	
20	10.00.103	EJOT PT-screw KA 3.5x10	
21	40.00.469F	Interface cable USB 0.9m	
22	10.00.460	EJOT PT-Screw Torx 3,5x14	

Tulip blue for hand shower part n° 87.00.256



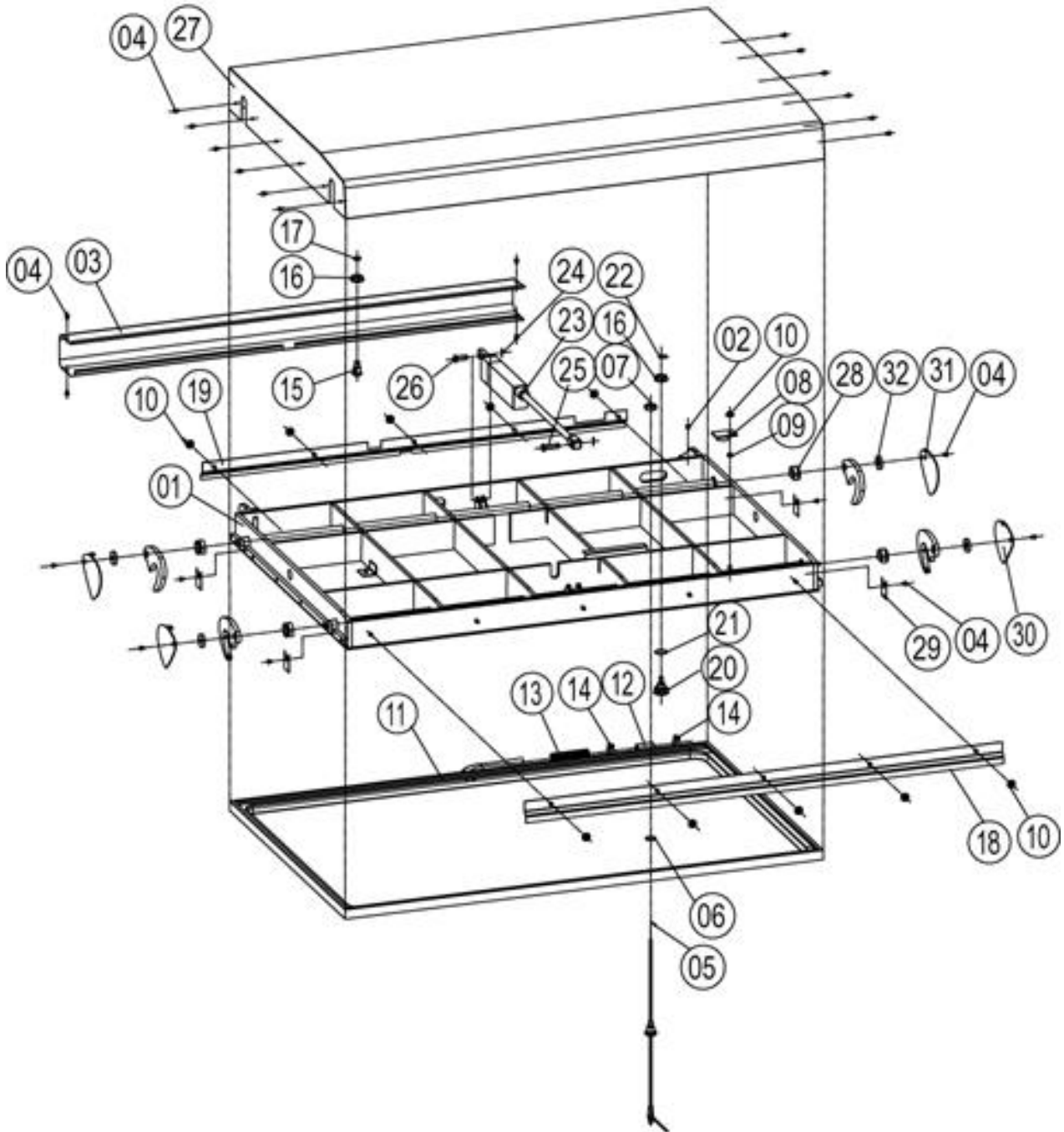
VarioCooking Center 311+E
E31PA0502



Tulip blue for hand shower part n° 87.00.256

Pos.	Part no.	Description	Qty.
1	87.00.196	Socket cover for tulip blue	

Lid as of 01/05 up to 07/05

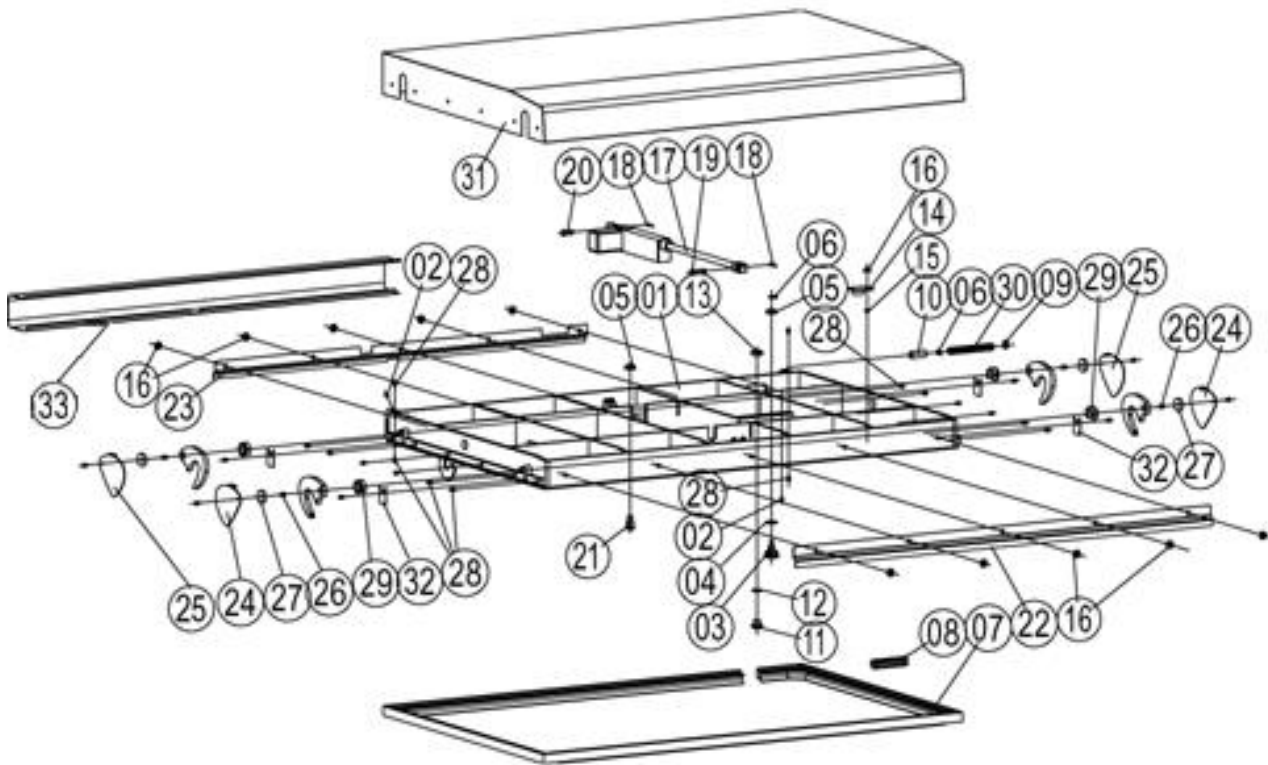


VarioCooking Center 311+E
E31PA0502

Lid as of 01/05 up to 07/05

Pos.	Part no.	Description	Qty.
1	24.01.006	Lid welded	
2	10.00.613	Bolt M8x8 A2	
3	24.01.037	Hinge Cover	
4	10.00.606	Allen screw M5x8 A2	
5	24.01.122	Core temperature probe	
6	20.00.680	O-ring 21x 1.5	
7	10.00.612	Hex nut M16 flat	
8	24.00.769	Magnet for lid (core temperature)	
9	1106.0160F	Hex nut M6	
10	1106.0803V	Hex combination nut M6 galv	
11	24.00.867	Lid gasket	
12	24.01.174	Adapter outlet regulation pipe steam	
13	24.01.195	Maintenance arises bends joint lid	
14	50.00.348	Hose clamp 12.22 L9	
15	24.01.089	Pipe water filling	
16	10.00.225	Nut 3/8"	
17	24.01.173	"Gasket EPDM 3/8""	
18	24.01.077	Fixing device front lid gasket	
19	24.01.092	Fixing device back lid gasket	
20	24.00.766	Lid grille	
21	20.00.879	O-ring 25X1.5 EPDM	
22	2066.0533V	Hose clamp ø10.1	
23	24.00.776	Cylinder for the lid lock	
24	20.00.480	Split-pin 3.2x22 A2	
25	24.00.765	Shaft front jack of the lid	
26	24.00.767	Shaft back jack of the lid	
27	24.00.770	Lid cover	
28	24.01.154	Ring seal for shaft locking lid	
29	24.01.025	Cover for lock mechanism, lid	
30	24.00.771	Cover right hook locking	
31	24.00.772	Cover left hook locking	
32	24.00.778	Distance nut locking hook	

Lid as of 08/05 up to 11/06

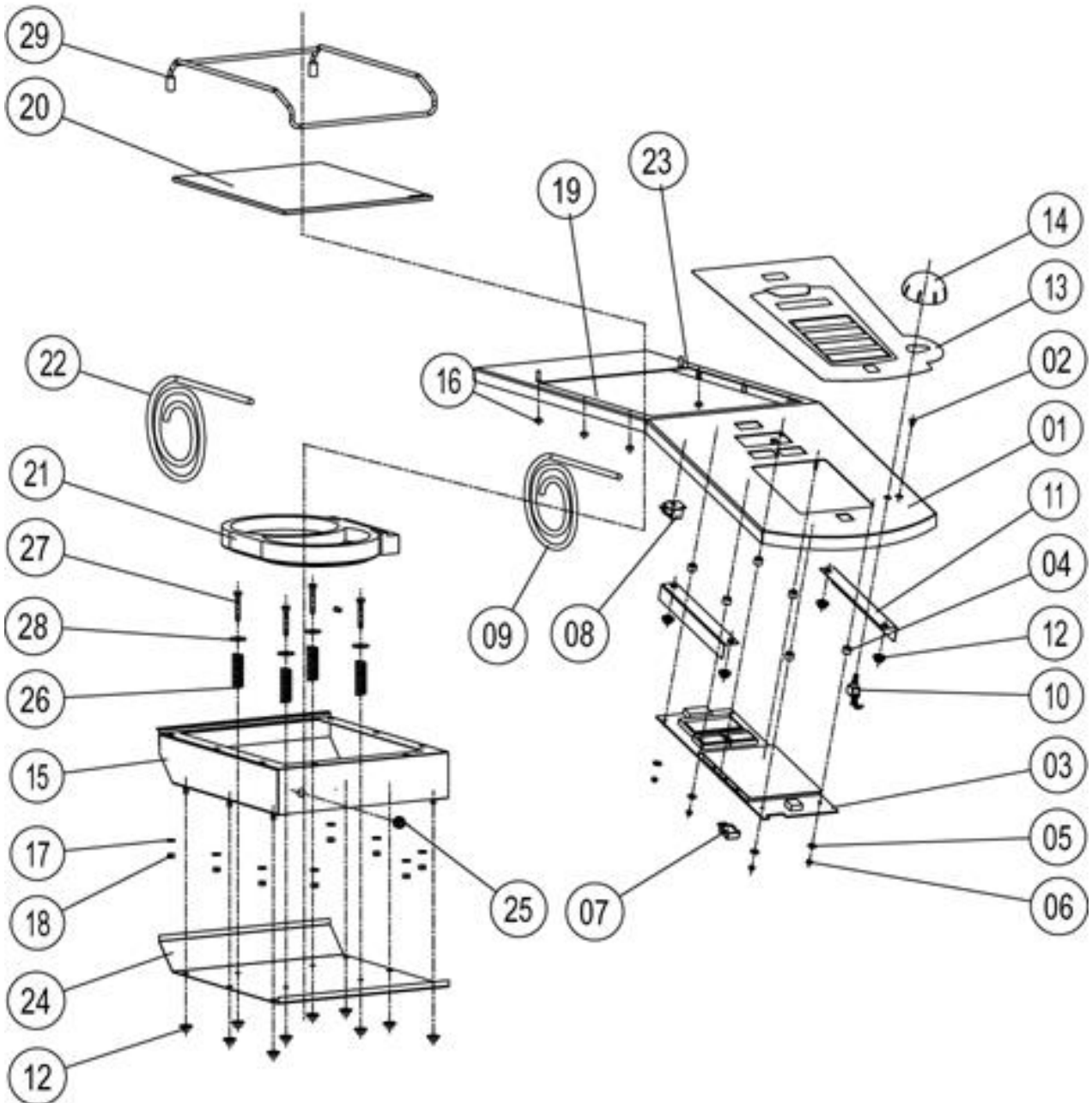


VarioCooking Center 311+E
E31PA0502

Lid as of 08/05 up to 11/06

Pos.	Part no.	Description	Qty.
1	24.01.006	Lid welded	
2	10.00.613	Bolt M8x8 A2	
3	24.00.766	Lid grille	
4	20.00.879	O-ring 25X1.5 EPDM	
5	10.00.225	Nut 3/8"	
6	2066.0533V	Hose clamp ø10.1	
7	24.00.867	Lid gasket	
8	24.01.195	Maintenance arises bends joint lid	
9	50.00.348	Hose clamp 12.22 L9	
10	24.01.174	Adapter outlet regulation pipe steam	
11	24.01.122	Core temperature probe	
12	20.00.680	O-ring 21x 1.5	
13	10.00.612	Hex nut M16 flat	
14	24.00.769	Magnet for lid (core temperature)	
15	1106.0160F	Hex nut M6	
16	1106.0803V	Hex combination nut M6 galv	
17	24.00.776	Cylinder for the lid lock	
18	20.00.480	Split-pin 3.2x22 A2	
19	24.00.765	Shaft front jack of the lid	
20	24.00.767	Shaft back jack of the lid	
21	24.01.089	Pipe water filling	
22	24.01.077	Fixing device front lid gasket	
23	24.01.092	Fixing device back lid gasket	
24	24.00.772	Cover left hook locking	
25	24.00.771	Cover right hook locking	
26	24.01.210	Distance nut locking hook	
27	24.00.778	Distance nut locking hook	
28	10.00.606	Allen screw M5x8 A2	
29	24.01.154	Ring seal for shaft locking lid	
30	50.00.617	Spring f. hose, water filling	
31	24.00.770	Lid cover	
32	24.01.025	Cover for lock mechanism, lid	
33	24.01.037	Hinge Cover	

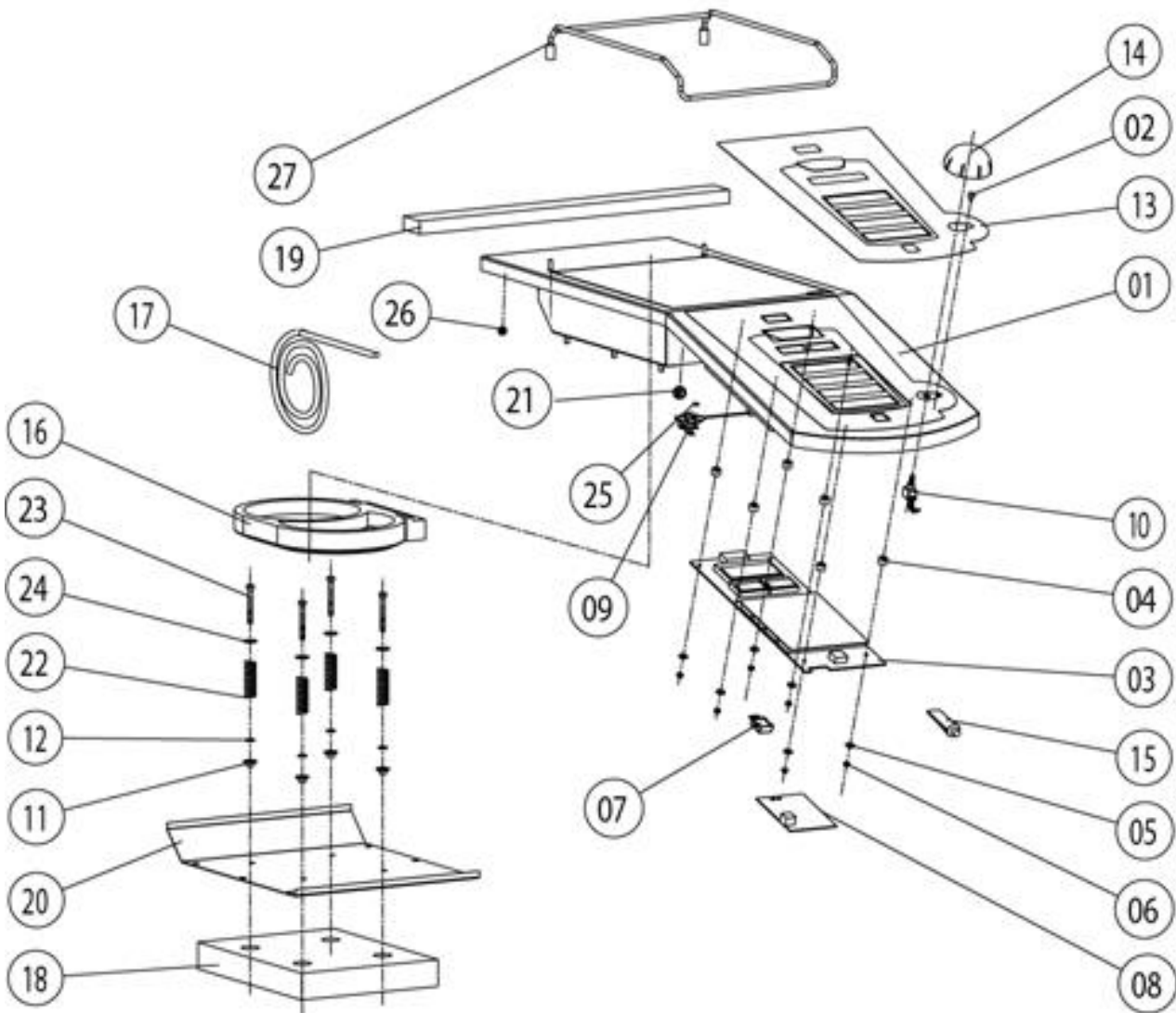
Control panel as of 01/05 up to 02/06



Control panel as of 01/05 up to 02/06

Pos.	Part no.	Description	Qty.
1	87.00.161	Control panel Vitro with overlay RAT	
2	10.00.606	Allen screw M5x8 A2	
3	42.00.002V	Control pcb	
4	40.01.996	Distance bush PA d12/5x7.2	
5	1306.0218V	Washer A4,3	
6	1104.0121V	Hex nut M4 self locking	
7	87.00.165	External memory flashed	
8	3006.0107F	Buzzer	
9	87.00.136F	Conversion kit buzzer	
10	87.00.622	Pulse generator with gasket	
11	16.00.845	Holding bracket front panel	
12	1106.0803V	Hex combination nut M6 galv	
13	16.01.169	Overlay VCC/E *Rational* 112-311	
14	16.00.232	Dial f. pulse generator blue	
15	16.01.126	Isolation cover for Vitro	
16	1106.0160F	Hex nut M6	
17	10.00.189	Tooth lock washer A4 AZ6	
18	10.00.179	Washer M6 A2	
19	24.00.376	Silicone adhesive caf 33	
20	16.00.934	Glass for Vitro	
21	40.01.612	Heating element f. vitro	
22	40.01.953	Control harness Vitro	
23	16.00.932	Isolation heating element Vitro	
24	16.00.844	Bottom plate f. isolation cover Vitro	
25	40.00.852	Grommet ø9.5	
26	74.00.386	Compression spring Vitro 1.8X16X52	
27	10.00.596	Hex screw M6x50 A2	
28	10.00.186	Washer broad LL6	
29	60.70.618	Safety loop Vitro	

Control panel as of 03/06 up to 11/06



Control panel as of 03/06 up to 11/06

Pos.	Part no.	Description	Qty.
1	87.00.161	Control panel Vitro with overlay RAT	
2	10.00.606	Allen screw M5x8 A2	
3	42.00.002V	Control pcb	
4	40.01.996	Distance bush PA d12/5x7.2	
5	1306.0218V	Washer A4,3	
6	1104.0121V	Hex nut M4 self locking	
7	87.00.165	External memory flashed	
8	42.00.006	Network interface Ethernet	
9	40.02.087	Buzzer	
10	87.00.622	Pulse generator with gasket	
11	1106.0803V	Hex combination nut M6 galv	
12	1306.0120V	Washer A6,4	
13	16.01.169	Overlay VCC/E *Rational* 112-311	
14	16.00.232	Dial f. pulse generator blue	
15	24.00.376	Silicone adhesive caf 33	
16	40.01.612	Heating element f. vitro	
17	40.01.953	Control harness Vitro	
18	16.01.187	Isolation front panel Vitro	
19	16.01.189	Isolation perforated front panel Vitro	
20	16.00.844	Bottom plate f. isolation cover Vitro	
21	40.00.852	Grommet ø9.5	
22	74.00.386	Compression spring Vitro 1.8X16X52	
23	10.00.596	Hex screw M6x50 A2	
24	91.00.140	Washer L6 A2	
25	10.00.189	Tooth lock washer A4 AZ6	
26	1106.0160F	Hex nut M6	
27	60.70.618	Safety loop Vitro	

Index

Part no.	Description	Page
16.00.402	"Elbow fitting to crimp 3/4"" D12"	31
50.00.600	"Elbow fitting to crimp M3/4"" D13"	31
24.01.173	"Gasket EPDM 3/8""	65
50.00.562	"Plug brass F 1/2""	31
50.00.592	"Plug brass M 3/4""	31
40.00.751	- RACCORD INST. COUDE EGAL 4/6	43, 49
40.00.726	- TE RAPIDE 3X6	43, 49
24.00.366	- Teflonschlauch 4/6 HT	43, 49
50.00.564	Adapter fluting pressure sensor	43, 49
24.01.174	Adapter outlet regulation pipe steam	65, 67
40.02.156	Additional harness heating	25
1004.0663V	Allen screw M4x12	23, 25, 43, 49, 55
1004.0662V	Allen screw M4x25	43, 49, 55
10.00.606	Allen screw M5x8 A2	61, 65, 67, 69, 71
1005.0663V	Allen screw M5x10	17, 27
40.00.461	Auxiliary contact BCLL11-M	45, 51, 55
20.00.989	Bearing coupling for cable	23
40.02.335	Bimetal switch 110°	25
10.00.613	Bolt M8x8 A2	9, 13, 65, 67
16.00.844	Bottom plate f. isolation cover Vitro	69, 71
20.00.917	Bowden cable for pan valve	17
54.00.543	Bracket equal 14	35, 39
16.01.198	Bracket watertightness frame	7, 13
10.00.418	Bundle guide big	5, 45, 51, 55
40.01.946	Bundle power supply contactor entry	45, 51, 57
40.01.091	Bus cable 0.4m	43, 51, 59
40.00.471	Bus cable 0.8m	43, 51, 59
54.00.588	Bushing PP D50/D40	39
3006.0107F	Buzzer	69
40.02.087	Buzzer	71
40.01.891	Cable X24-X127	45, 53
40.01.919	Cable X46-X10	45, 51, 57

Index

Part no.	Description	Page
10.00.471F	Cable clip d10-12mm	45, 51, 57
10.00.472F	Cable clip d13,5-16mm	45, 51, 57
10.00.111	Cable clip long	5, 11, 45, 51, 55
40.00.320	Cable connection M20x1.5	49, 55
46.00.102	Cable control harness heating	17, 25
40.01.896	Cable I/O A4 pcb X118	47, 53, 57
40.01.897	Cable I/O A4 pcb X119	47, 53, 57
40.01.898	Cable I/O A4 pcb X120	47, 53, 57
40.01.899	Cable I/O A4 pcb X121	47, 53, 57
40.01.895	Cable I/O A4 pcb1 X117	47, 53, 57
40.01.912	Cable pan valve X25	47
40.01.907	Cable solenoide X19 01/05	47, 53, 57
40.01.894	Cable Water volume sensor X15	45, 53
40.01.944	Cable X13 X126	45, 53, 57
40.02.013	Cable X18-solenoide valve NO	47, 53, 57
40.02.358	Cable X24-X127 211/311	59
40.01.961	Cable X128	45, 53, 59
40.01.900	Cable I/O A4 pcb X122	47, 53, 59
1900.0203F	Ceramic tube 40mm for	43, 49
12.00.572	Chassis right	5, 11
10.00.586	Circlips stainless shaft D 50	35
50.00.156	Clamp f. hand shower roll guide	31, 33
20.00.925	Clamp left shaft toppling complete	13
74.00.386	Compression spring Vitro 1.8X16X52	69, 71
22.00.508	Connecting nipple 112-311P	57
50.00.664	Connecting nipple F1/2 D10	57
40.01.557	Contacteur CL06A300M6-M	43, 51, 55
40.01.948	Control harness	45, 51, 57
40.02.142	Control harness fault current switch 211/311	51
40.01.947	Control harness K1 contacteur exit	45, 51, 57
40.01.953	Control harness Vitro	69, 71
87.00.161	Control panel Vitro with overlay RAT	69, 71

Index

Part no.	Description	Page
42.00.002V	Control pcb	69, 71
40.00.277	Control transformer	45, 51, 55
87.00.136F	Conversion kit buzzer	69
3101.1008V	Cooling fan	43, 49, 55
2930.1304V	Cooling plate solid state relay	43, 49, 55
24.01.122	Core temperature probe	65, 67
16.00.329	Cover f. USB interface	61
24.01.025	Cover for lock mechanism, lid	65, 67
24.00.772	Cover left hook locking	65, 67
24.00.771	Cover right hook locking	65, 67
12.00.544	Cross frame	5, 11
24.00.776	Cylinder for the lid lock	65, 67
16.00.232	Dial f. pulse generator blue	69, 71
40.02.140	Differential switch	51, 55
10.00.672	Disc IGUS 112-311	25
87.00.475	Discharge pipe of pan	17, 27, 31, 33, 35
40.01.996	Distance bush PA d12/5x7.2	43, 49, 55, 69, 71
24.00.778	Distance nut locking hook	65, 67
24.01.210	Distance nut locking hook	67
40.02.015	Distance nut PA H10 x 4.3 D.8MM	43, 49, 55
50.00.643	Double solenoid valve	33
12.00.644	Drip collector	5, 11
4001.1210F	Earth terminal 16mm ² yellow/green	55
10.00.103	EJOT PT-screw KA 3.5x10	61
10.00.460	EJOT PT-Screw Torx 3,5x14	61
54.00.562	Elbow-pipe PP DN50 45°	39
54.00.560	Elbow-pipe PP DN50 87°	39
40.00.465	Electronic noise filter	45
40.02.471	Electronic noise filter	51, 55
40.00.764	End plate for mounting rail	45, 51, 55
40.01.776F	Energy_opt.-terminal *crimp type*	51
40.00.338	Energy_opt.-terminal *screw typ*	49, 55

Index

Part no.	Description	Page
40.00.914	Equipotentiality sticker	11
87.00.165	External memory flashed	69, 71
50.00.655	Fitting F1/4 D9	57
40.00.417F	Fixing clip f. pcb	43, 49
40.02.047	Fixing clip white p/1.6mm	43, 49, 55
24.01.092	Fixing device back lid gasket	65, 67
24.01.077	Fixing device front lid gasket	65, 67
10.00.116	Fixing nut for cable gland PG40 polyamid	47, 53, 59, 61
87.00.112	Foam gasket	29
24.00.721	Friction ring shaft	7, 13
20.00.952	Friction ring shaft raising pan	7, 13
24.00.890	Friction ring swing shaft lid	9, 15
24.00.756	Friction ring teflon right lid	9
16.00.847	Front panel console	61
20.00.721	Front panel f. pan	61
4001.0224V	Fuse 6.35x32mm 6,3A slow-blow	45, 51, 57
4001.0226V	Fuse 6.35x32mm 16A, time-lag	45, 51, 57
40.01.941	Fuse 6.35x32mm 250V 8A	45, 51, 57
4001.1295V	Fuse holder e 1003Si/1DS	45, 51, 57
20.00.949	Gasket f. pan valve fixing device	17
16.00.725	Gasket f. Tulip	61
5110.1024V	Gasket for G3/4" threaded joint	31, 35, 39
20.00.993	Gasket for plug pan valve	21, 25
50.00.599	Gasket TESNIT 20x12x2 1/2"	31
40.02.040	Gear motor pan valve	23, 25
16.00.934	Glass for Vitro	69
20.00.714	Graphit plate big for heating element 5600W	17, 25
20.00.987	Graphit plate for Bimetall switch	25
40.00.852	Grommet ø9.5	69, 71
50.00.590	Hand shower blue	31, 33
50.00.552	Hand shower roll guide VCC	31
50.00.626	Hand shower roll guide VCC	33

Index

Part no.	Description	Page
40.01.940	Heating element 2x2800W	17
40.02.145	Heating element 4X1400W	25
40.01.612	Heating element f. vitro	69, 71
40.01.978	Heating element safety chain bundle	17, 45
10.00.632	Hex combination nut M3	45, 51, 57
1104.0122F	Hex combination nut M4 galv	43, 49, 55
1105.0121V	Hex combination nut M5 galv	17, 25, 45, 51, 55
1106.0801F	Hex combination nut M6	5, 7
1106.0803V	Hex combination nut M6 galv	7, 9, 11, 13, 15, 17, 23, 25, 31, 37, 41, 43, 49, 55, 61, 65, 67, 69, 71
10.00.607	Hex combination nut M8	5, 7, 11, 25, 31, 33, 35, 39, 45, 51, 55
10.00.636	Hex nut M2 self-locking	17
1104.0120V	Hex nut M4	17, 25, 43, 49, 55
1104.0121V	Hex nut M4 self locking	23, 25, 43, 49, 55, 69, 71
1105.0120V	Hex nut M5	25, 45, 51, 55
1106.0160F	Hex nut M6	11, 65, 67, 69, 71
1108.0260V	Hex nut M8	5, 11, 13, 25
10.00.612	Hex nut M16 flat	65, 67
10.00.596	Hex screw M6x50 A2	69, 71
1008.0760V	Hex screw M8x16	17, 25, 31
1008.0763V	Hex screw M8x20	33
1008.0761V	Hex screw M8x25	25
1008.0767V	Hex screw M8x40	27
1006.1960F	Hex socket countersunk head screw M6x16	19
10.00.619	Hex socket head cap screw A2 M2X16	17
10.00.611	Hex socket head cap screw A2 M3X20	57
10.00.626	Hex socket head cap screw A2 M4X20	49, 57
10.00.593	Hex socket set screw cone point A2 M8X20	7, 13
10.00.615	Hex socket set screw cup point A2 M6X8	9
10.00.595	Hex socket set screw cup point A2_70 M6x6 Tuflok	7, 13
24.01.037	Hinge Cover	65, 67

Index

Part no.	Description	Page
16.00.845	Holding bracket front panel	69
50.00.348	Hose clamp 12.22 L9	31, 33, 65, 67
2066.0507V	Hose clamp 32-50mm	17
10.00.656	Hose clamp D9.1	31, 43, 49, 57
10.00.773	Hose clamp d49,8mm	27
10.00.774	Hose clamp d52mm	27
2066.0533V	Hose clamp ø10.1	65, 67
2066.0532F	Hose clamp ø11.9	43
2066.0527V	Hose clamp ø14mm	33, 57
2066.0530V	Hose clamp ø16.4mm	31, 33, 35, 39, 57
2066.0525V	Hose clamp ø22,1 mm	5
2066.0526F	Hose clamp ø46mm	35
2066.0531V	Hose clamp ø56	35
40.00.469F	Interface cable USB 0.9m	61
16.01.126	Isolation cover for Vitro	69
16.01.187	Isolation front panel Vitro	71
16.00.932	Isolation heating element Vitro	69
16.01.189	Isolation perforated front panel Vitro	71
20.00.701	Key arm toppling pan	7, 13
24.00.748	Key shaft raising lid	9
20.00.950	Lever assembly pan valve	17
20.00.957	Lever f. bowden cable pan valve	23, 25
24.00.770	Lid cover	65, 67
24.00.867	Lid gasket	65, 67
24.00.766	Lid grille	65, 67
24.01.006	Lid welded	65, 67
40.00.622	Lifting cylinder for lid LBM 14.21F	5, 11
40.07.748P	Lifting cylinder for lid with cover	5, 11
10.00.187	Lock washer AZ 4	25, 43, 49, 55
50.00.086	Locking plate f. water distribution	31, 33
20.00.888	Locking roller pan	19, 29
12.00.224	Lower part of pedestal 110mm	11

Index

Part no.	Description	Page
24.00.769	Magnet for lid (core temperature)	65, 67
24.01.195	Maintenance arises bends joint lid	65, 67
20.00.922	Micro switch pan valve position	17
16.00.841	Mounting bracket console side R	61
16.00.839	Mounting bracket side left	61
20.00.983	Mounting device for Bimetall switch	25
46.00.123	Mounting device thermocouple for heating element	25
42.00.006	Network interface Ethernet	71
50.00.078	Non return valve DW16/DN12	31, 33
10.00.225	Nut 3/8"	65, 67
20.00.680	O-ring 21x 1.5	65, 67
20.00.879	O-ring 25X1.5 EPDM	65, 67
20.00.709	O-ring 46x3	7, 13
20.00.708	O-ring 106x2	7, 13
10.00.675	O-ring f. pan valve 17.3 x 2.4	21, 25
40.02.014	O-ring NITRILE D16	43, 49, 57
1008.0768F	Ornamental screw M8x16	5, 11
16.01.169	Overlay VCC/E *Rational* 112-311	69, 71
20.00.953	Pan	17, 25
16.01.076	Pan back panel	61
10.00.507	Pan head screw Torx 5/16" T20	43, 49, 55
20.00.876	Pan valve motor holder	23, 25
54.00.566	Pipe clamp D50	39
24.01.089	Pipe water filling	65, 67
20.00.972	Plug for pan valve	21, 25
50.00.085	Plug-in spring f. hand shower roll guide	33
40.01.893	Power supply cable X14 X112	45, 51, 57
54.00.564	PP-Pipe DN50 x 150mm	39
54.00.561	PP-Pipe DN50 x 500mm	39
12.00.610	Pressostat holder	43, 49
2067.0050V	Pressure hose d10mm	31, 33
40.01.963	Pressure safety chain bundle	45, 51, 57

Index

Part no.	Description	Page
40.01.970	Pressure sensor	43, 49
40.02.348	Pressure sensor left	57
40.02.048	Pressure switch 25 mbar	43, 49, 57
40.00.750	Pressure switch 200mbar	43, 49, 57
87.00.622	Pulse generator with gasket	69, 71
54.00.495	Quenching box	37
2016.0936F	Quenching nozzle 3.9 l/min	37, 41
54.00.491	Quenching nozzle gasket	37, 41
10.00.444	Raised countersunk head screw Torx M4x8	49, 55
1004.0500F	Raised countersunk metal screw M4x8 oval head	43
42.00.038	Relay pcb (5 Relay)	43, 49, 55
42.00.055V	Relay-I/O pcb	43, 49, 55
42.00.039	Relay-I/O pcb A4	43, 49, 55
54.00.544	Retainable reduction 12/14	35, 39
20.00.884	Ring MB 16/10	19, 29
24.01.154	Ring seal for shaft locking lid	65, 67
20.00.695	Ring shaft toppling right	7, 13
24.00.758	Roofing ring shaft raising	9, 15
20.00.704	Rotary complete shaft toppling right	7, 13
60.70.618	Safety loop Vitro	69, 71
3014.0325V	Safety temperature limiter 110°C	17
40.02.337	Safety temperature limiter 215°C	25
40.00.673	Safety temperature limiter 220° (Oil too hot)	45, 51
1251.1000V	Safety washer ø5mm	17, 25
40.00.701	Screwed cable gland polyamid PG40	47, 53, 59, 61
10.00.747	Securing device for bolt d=12	11
20.00.885	Sensor holder	17
10.00.188	Serrated lock washer A5.1	25
24.00.767	Shaft back jack of the lid	65, 67
20.00.481	Shaft for lower cap	7, 9, 11
24.00.765	Shaft front jack of the lid	65, 67
24.00.760	Shaft hoist swing shaft	7, 9, 11, 13

Index

Part no.	Description	Page
24.00.718	Shaft raising complete right	9, 15
20.00.694	Shaft toppling welded	7, 13
24.01.222	Sheath and ring Iglidur	9, 15
20.00.980	Sheath for pan valve	21
20.00.905	Sheath for pan valve	25
20.00.926	Sheath ring shaft toppling pan complete	7, 13
20.00.698	Sheath shaft toppling right	7, 13
12.00.616	Shower roll guide holder	31, 33
16.00.838	Side panel for left frame	61
20.00.718	Side panel left pan complete	61
16.01.160	Side panel right for console	61
16.01.071	Side panel right pan complete	61
54.00.542	Silicon hose 12/17	35, 39
24.00.376	Silicone adhesive caf 33	69, 71
24.01.232	Silicone hose 6x9	31, 33, 43, 49
24.01.231	Silicone hose 16/20	5, 39
24.00.348	Silicone hose D30/40	35
50.00.568	Silicone hose diameter out 14mm in 8mm	33, 57
50.00.316	Single solenoid valve	31
50.00.139	Single solenoid valve	31
24.00.719	Sleeve swing shaft left	9, 15
10.00.638	Slotted countersunk head screw M6X60	31
1004.0023F	Slotted pan head screw M4x6	45, 51
10.00.150	Slotted pan head screw M6x12 A2	61
40.01.410	Socket 2P+T 16A (Germany)	61
10.00.144	Socket cap screw M3x16mm	45, 51
87.00.196	Socket cover for tulip blue	63
54.00.538	Socket fluted 12/8/10	35, 39
54.00.527	Solenoid valve f. decompression 1/2" d12	35, 39
40.00.453	Solid state relais	43, 49
40.01.589	Solid state relais	55
24.00.720	Spacer ring left	9, 15

Index

Part no.	Description	Page
20.00.480	Split-pin 3.2x22 A2	7, 9, 11, 13, 65, 67
50.00.617	Spring f. hose, water filling	67
1205.0260F	Spring washer B5	17
50.00.639	Square seal	39
1107.0101V	Star lock ø5	61
12.00.570	Stop device frame right	5
20.00.846	Stop for pan	25
20.00.921	Stop right for pan	25
24.00.757	Stop ring shaft raising right	9
54.00.539	Straight threaded joint G1/2 d14	35, 39
12.00.512	Subframe left foot	5, 11
20.00.696	Swing shaft lever for pan	7, 13
54.01.388	T-fitting TS10 brass	31, 57
54.00.541	T-plug type connection 14	35, 39
54.00.540	Teflon hose 12/14 HT	35, 39
40.00.707	Terminal block 6qmm blue	45, 51
40.00.705	Terminal block 6qmm g/y	45, 51
4001.1250V	Terminal block 16mm ² blue	55
40.00.826	Terminal block 25qmm blue	45
40.00.639	Terminal block 25qmm g/y	45, 51
40.00.823	Terminal block 25qmm grey	45
4001.1233V	Terminal block yellow/green 35mm ²	55
20.00.852	Thermocouple bundle	17, 25
20.00.856	Thermocouple pan	17, 27
54.00.479	Thermocouple quenching box	35, 39
54.00.536	Threaded connection 3/4" 1/2" revolving nut	35, 39
10.00.189	Tooth lock washer A4 AZ6	11, 69, 71
40.01.712	Transformer	45, 51, 55
10.00.652	Tube for drip collector fixation	5
87.00.256	Tulip blue for hand shower part n° 87.00.256	61
12.00.205	Upper part of pedestal	11
1304.0160F	Washer A4,3	17

Index

Part no.	Description	Page
1306.0218V	Washer A4,3	23, 69, 71
1306.0120V	Washer A6,4	17, 25, 71
1308.0160V	Washer A8,4	5, 11, 25
1308.0161V	Washer A8,4	51, 55
10.00.186	Washer broad LL6	69
91.00.140	Washer L6 A2	71
10.00.179	Washer M6 A2	69
10.00.423	Washer M12 A2	7, 9, 11, 13, 43, 49, 57
20.00.818	Washer maintenance roller bolt	19, 29
54.00.511	Waste water eacuation	35
8664.1007V	Water distribution unit	31
50.00.072	Water distribution vert roll guide con.	33
50.00.073	Water distribution vert w/o roll guide con.	31
1900.0202V	Water filter	31, 33
40.01.311	Water volume sensor Vision 2000 3/8"	31
40.02.350	Water volume sensor with wire 211/311	33
54.00.492	Welded nipple	41
54.00.577	Y-Fitting PP DN50 87°	39

RATIONAL Aktiengesellschaft
Siegfried-Meister-Straße 1
86899 Landsberg am Lech
Germany

Web: www.rational-online.com
info@rational-online.com

Telephone: +49 8191-327-0

Managing Board: Managing Director Dr. Peter Stadelmann,
Peter Wiedemann, Markus Paschmann
Chairman of the Supervisory Board: Walter Kurtz

Registered Office: Landsberg am Lech
Court of Registration: Augsburg
District Court Commercial Register Dept. B: 2001
VAT number: DE 128673942
