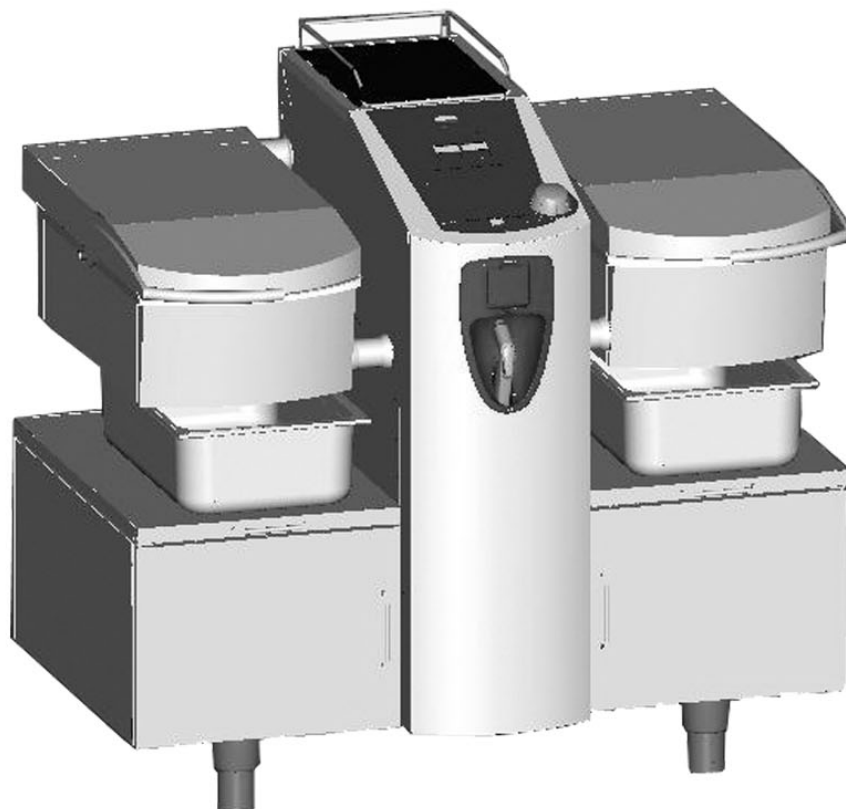




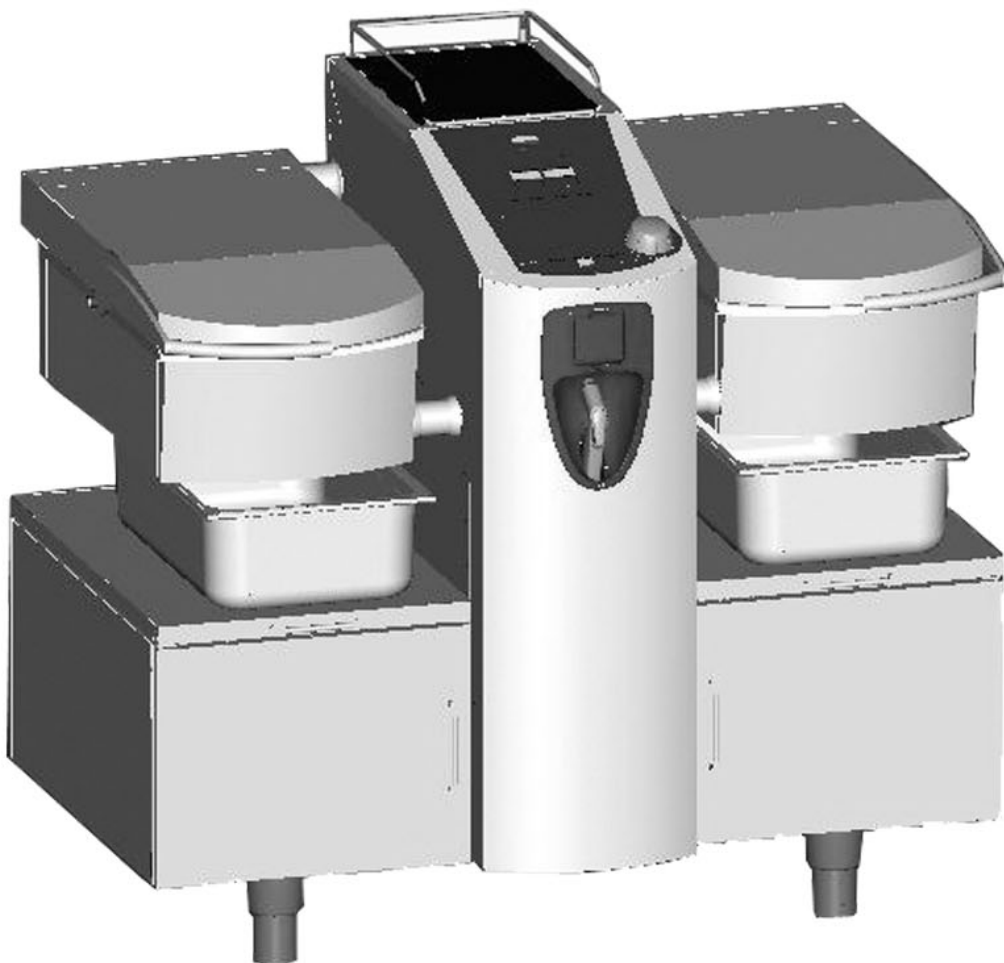
# Service part catalogue

## VarioCooking Center 112+E

E11PA0502



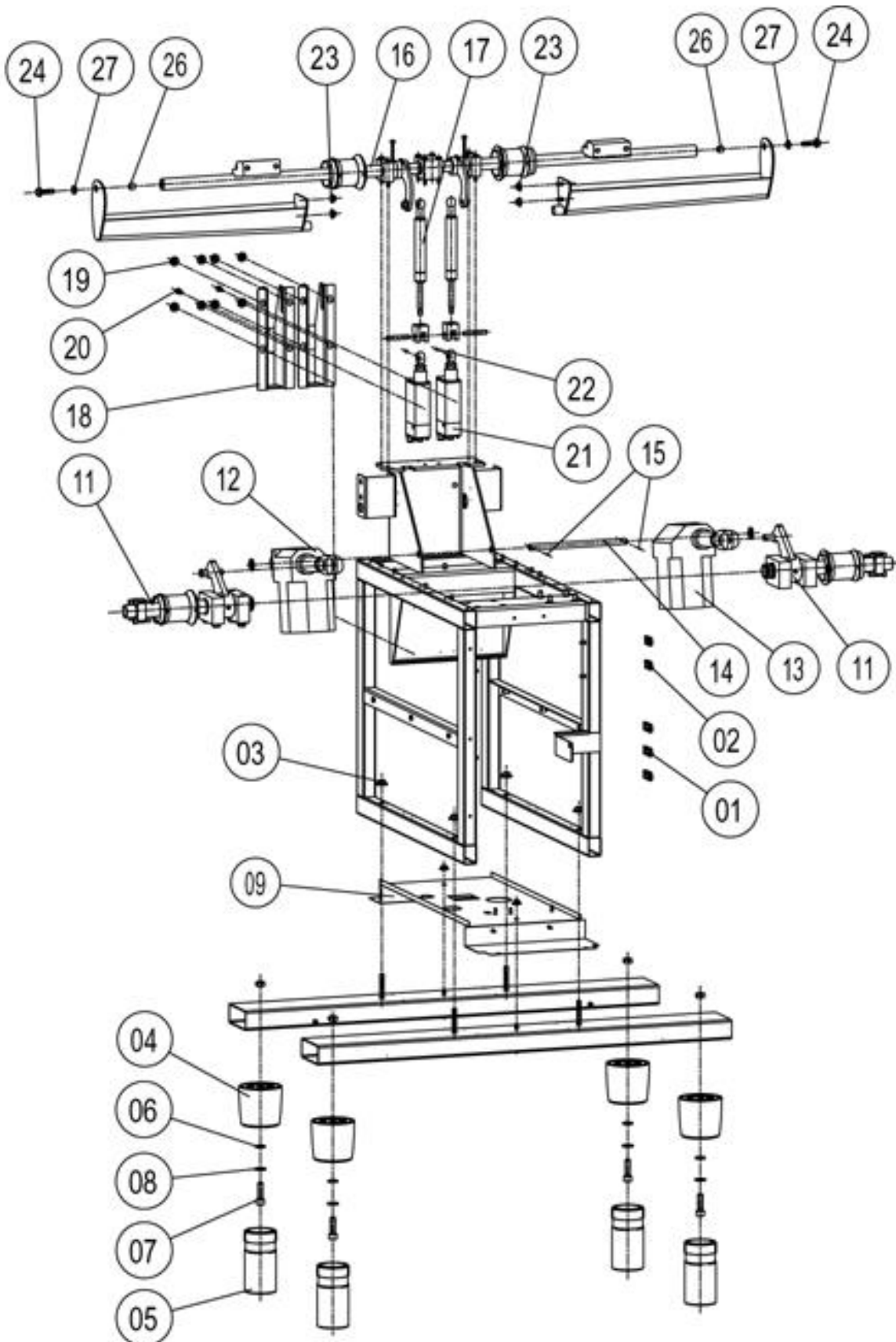
## Overview



## Overview

Pos.	Assembly	Page
1	Chassis as of 01/05 upto 01/06 .....	4
1.1	Chassis as of 02/06 up to 11/06 .....	10
2	Pan as of 01/05 upto 01/06 .....	16
2.1	Pan as of 02/06 up to 10/06 .....	24
2.2	Pan as of 11/06 up to 11/06 .....	30
3	Water distribution - hand shower roll guide as of 01/05 up to 01/06 .....	34
3.1	Water distribution - hand shower roll guide as of 02/06 up to 11/06 .....	36
4	Drain as of 01/05 upto 01/06 .....	38
4.1	Drain as of 02/06 up to 11/06 .....	42
5	Electrical installation as of 01/05 upto 01/06 .....	46
5.1	Electrical installation as of 02/06 up to 11/06 .....	52
6	External sheet as of 01/05 upto 01/06 .....	58
6.1	External sheet as of 02/06 up to 11/06 .....	62
7	Lid as of 01/05 upto 01/06 .....	66
7.1	Lid as of 02/06 up to 11/06 .....	72
8	Control panel as of 01/05 up to 03/06 .....	78
8.1	Control panel as of 04/06 up to 11/06 .....	80
9	Option Storage case as of 01/05 upto 01/06 .....	82
9.1	Option Storage case as of 02/06 up to 11/06 .....	84

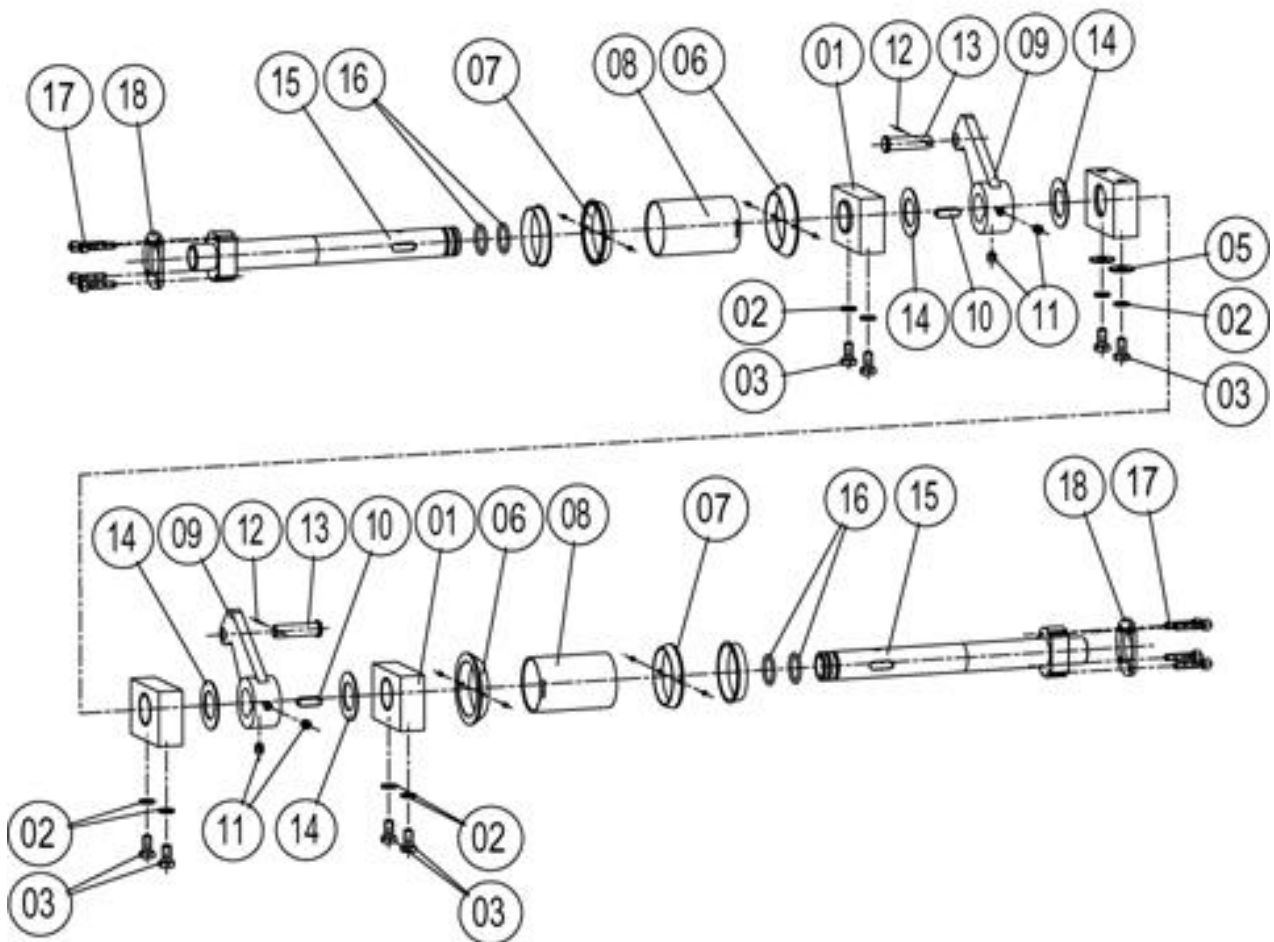
Chassis as of 01/05 upto 01/06



## Chassis as of 01/05 upto 01/06

Pos.	Part no.	Description	Qty.
1	10.00.111	Cable clip long	
2	10.00.420	Cable clip middle	
3	10.00.607	Hex combination nut M8	
4	12.00.205	Upper part of pedestal	
5	12.00.224	Lower part of pedestal 110mm	
6	1328.0102F	Safety washer A10,2	
7	10.00.107	Socket cap screw M10x35	
8	1310.0160V	Washer A10,5	
9	16.01.168	Frame bottom complete	
10	16.00.850	Frame bottom	
11		Shaft toppling pan	
12	40.01.708	Lifting cylinder for left pan	
13	40.01.972	Lifting cylinder for right pan	
14	20.00.883	Shaft jack pan	
15	20.00.480	Split-pin 3.2x22 A2	
16		Shaft toppling lid	
17	24.01.140	Jack gas 1100N	
18	24.00.795	Holder raising jack gas	
19	1106.0803V	Hex combination nut M6 galv	
20	1006.0760V	Hex screw M6x16	
21	24.00.803	Lifting cylinder for lid	
22	1004.0905V	Hex socket set screw M5x6	
23	1106.0801F	Hex combination nut M6	
24	1008.0769V	Ornamental screw M8x30	
25	2066.0525V	Hose clamp ø22,1 mm	
26	10.00.652	Tube for drip collector fixation	
27	24.01.221	Bearing shaft pan inside left	
28	24.01.230	Y-fitting Y 16	

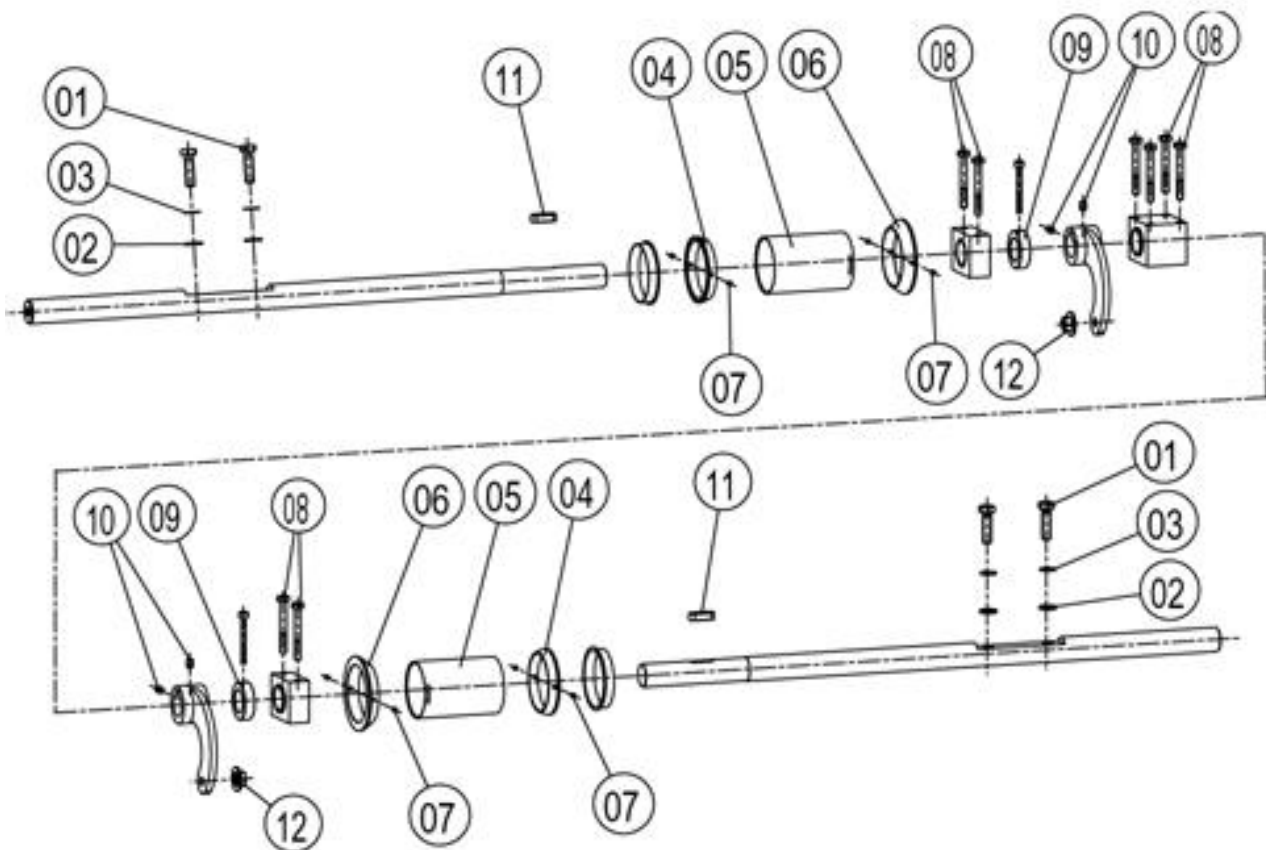
## Shaft toppling pan



## Shaft toppling pan

Pos.	Part no.	Description	Qty.
1	20.00.687	Bearing shaft pan L/R	
2	1208.0260F	Spring washer B8	
3	1008.0760V	Hex screw M8x16	
4	20.00.844	Bearing shaft pan left	
5	1308.0161V	Washer A8,4	
6	20.00.799	Ring for sheath	
7	24.00.798	Ring sheath pan left / right	
8	24.00.801	Sheath shaft pan L/R	
9	20.00.684	Arm raising pan	
10	20.00.689	Key toppling ppan/lid	
11	10.00.613	Bolt M8x8 A2	
12	20.00.480	Split-pin 3.2x22 A2	
13	24.00.760	Shaft hoist swing shaft	
14	20.00.688	Bearing raising arm	
15	20.00.685	Shaft toppling pan welded	
16	20.00.692	O-ring 24X3 EPDM	
17	1006.0626F	Allen screw M6x30	
18	20.00.986		

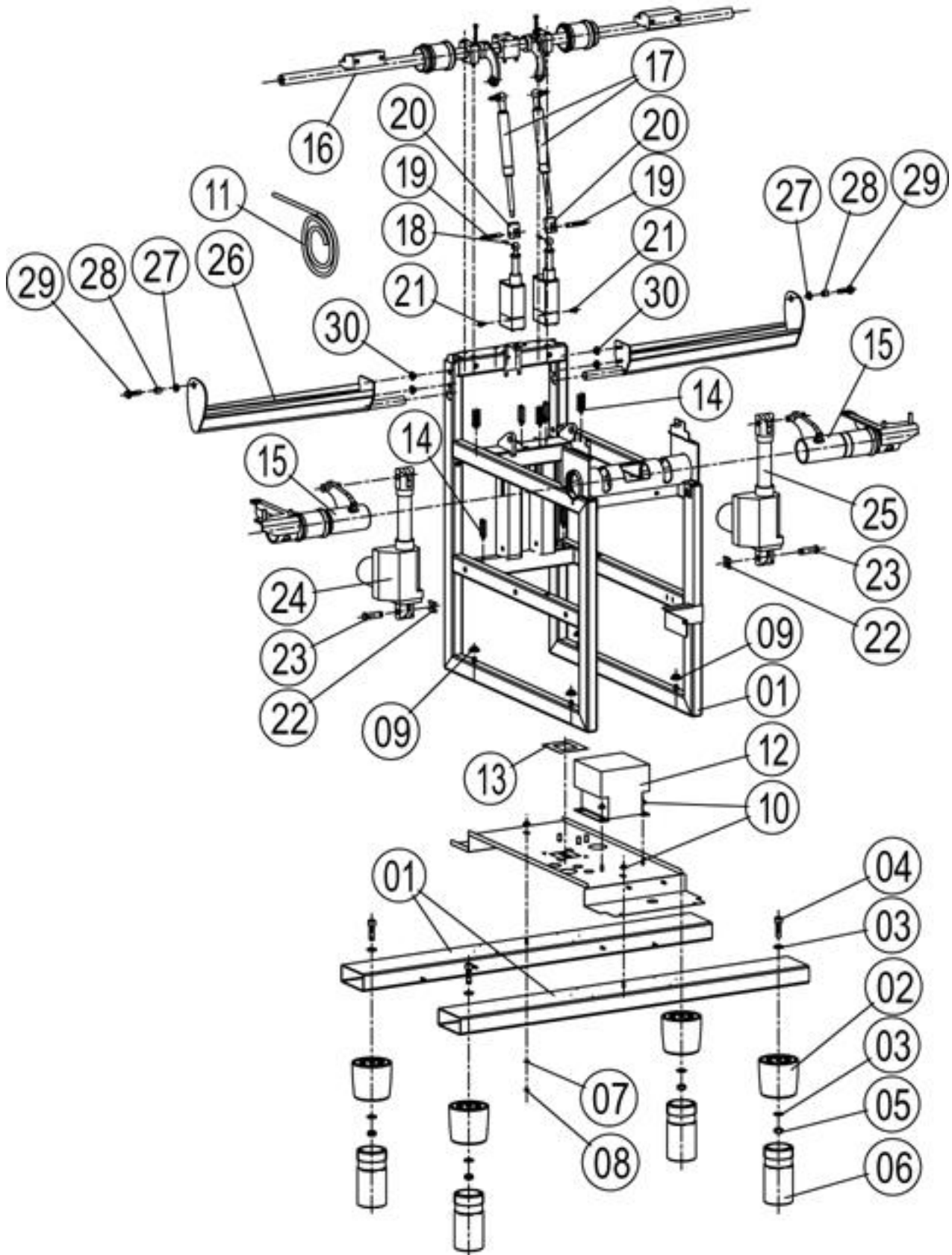
## Shaft toppling lid



## Shaft toppling lid

Pos.	Part no.	Description	Qty.
1	1008.0766F	Hex screw M8x30	
2	1308.0160V	Washer A8,4	
3	1208.0160V	Tooth lock washer A8,4	
4	24.00.798	Ring sheath pan left / right	
5	24.00.801	Sheath shaft pan L/R	
6	20.00.799	Ring for sheath	
7	10.00.452	Hex socket set screw cup point A2 M4X4	
8	10.00.596	Hex screw M6x50 A2	
9	24.00.889	Stop ring	
10	10.00.615	Hex socket set screw cup point A2 M6X8	
11	20.00.689	Key toppling ppan/lid	
12	10.00.607	Hex combination nut M8	

Chassis as of 02/06 up to 11/06

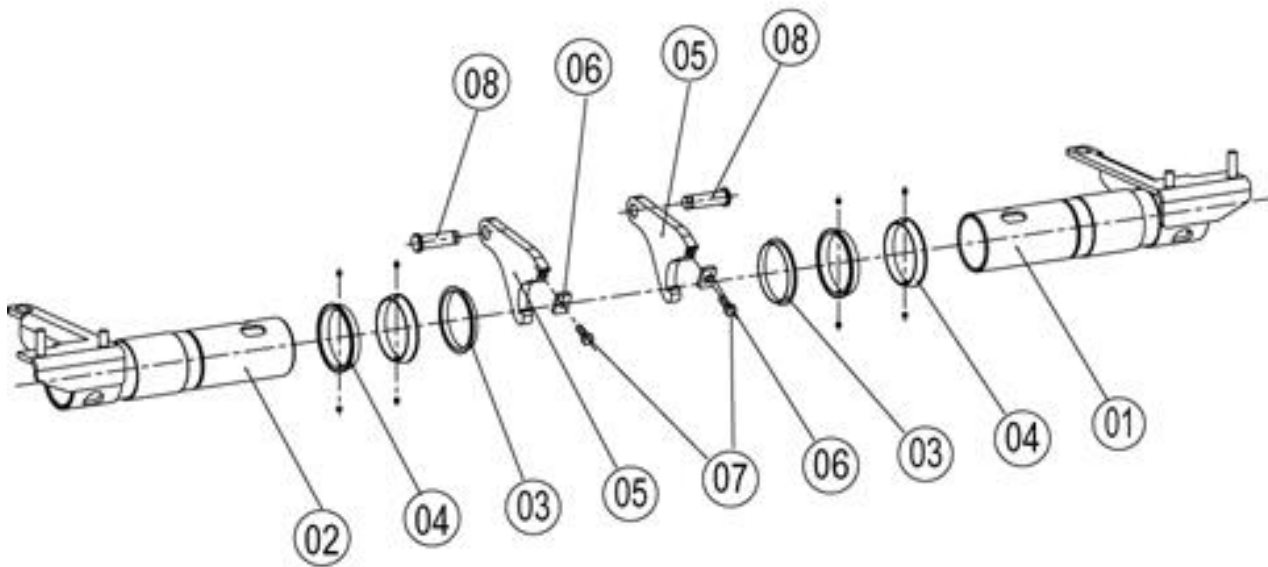


**VarioCooking Center 112+E**  
**E11PA0502**

**Chassis as of 02/06 up to 11/06**

Pos.	Part no.	Description	Qty.
	1004.0905V	Hex socket set screw M5x6	
1	12.00.624	Chassis	
2	12.00.205	Upper part of pedestal	
3	1310.0160V	Washer A10,5	
4	10.00.107	Socket cap screw M10x35	
5	24.00.280	Hex nut M10 A2	
6	12.00.224	Lower part of pedestal 110mm	
7	10.00.188	Serrated lock washer A5.1	
8	1105.0120V	Hex nut M5	
9	10.00.607	Hex combination nut M8	
10	1105.0121V	Hex combination nut M5 galv	
11	40.02.278	Power supply cable	
12	40.01.712	Transformer	
13	50.00.639	Square seal	
14	10.00.111	Cable clip long	
15		Shaft toppling pan	
16		Shaft toppling lid	
17	24.01.140	Jack gas 1100N	
18	24.00.803	Lifting cylinder for lid	
19	24.00.793	Shaft jack raising lid	
20	24.00.791	Cap of shaft lid	
21	1006.0762F	Hex screw M6x10	
22	10.00.747	Securing device for bolt d=12	
23	24.00.760	Shaft hoist swing shaft	
24	40.01.708	Lifting cylinder for left pan	
25	40.01.972	Lifting cylinder for right pan	
26	12.00.635	Drip collector	
27	24.01.221	Bearing shaft pan inside left	
28	10.00.652	Tube for drip collector fixation	
29	1008.0769V	Ornamental screw M8x30	
30	1106.0803V	Hex combination nut M6 galv	

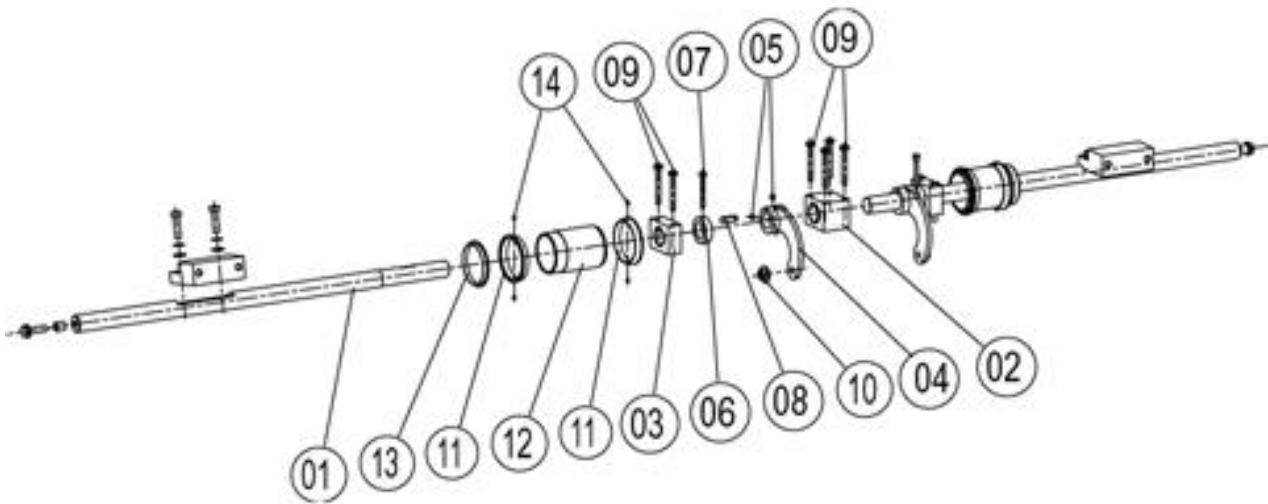
## Shaft toppling pan



## Shaft toppling pan

Pos.	Part no.	Description	Qty.
1	20.01.056	Pan shaft right	
2	20.01.068	Left pan shaft	
3	20.01.062	Ring friction pan shaft	
4	20.01.033	Collar	
5	20.01.059	Lift arm for pan	
6	20.01.061	Fixing plate lever pan	
7	1006.0760V	Hex screw M6x16	
8	24.00.760	Shaft hoist swing shaft	

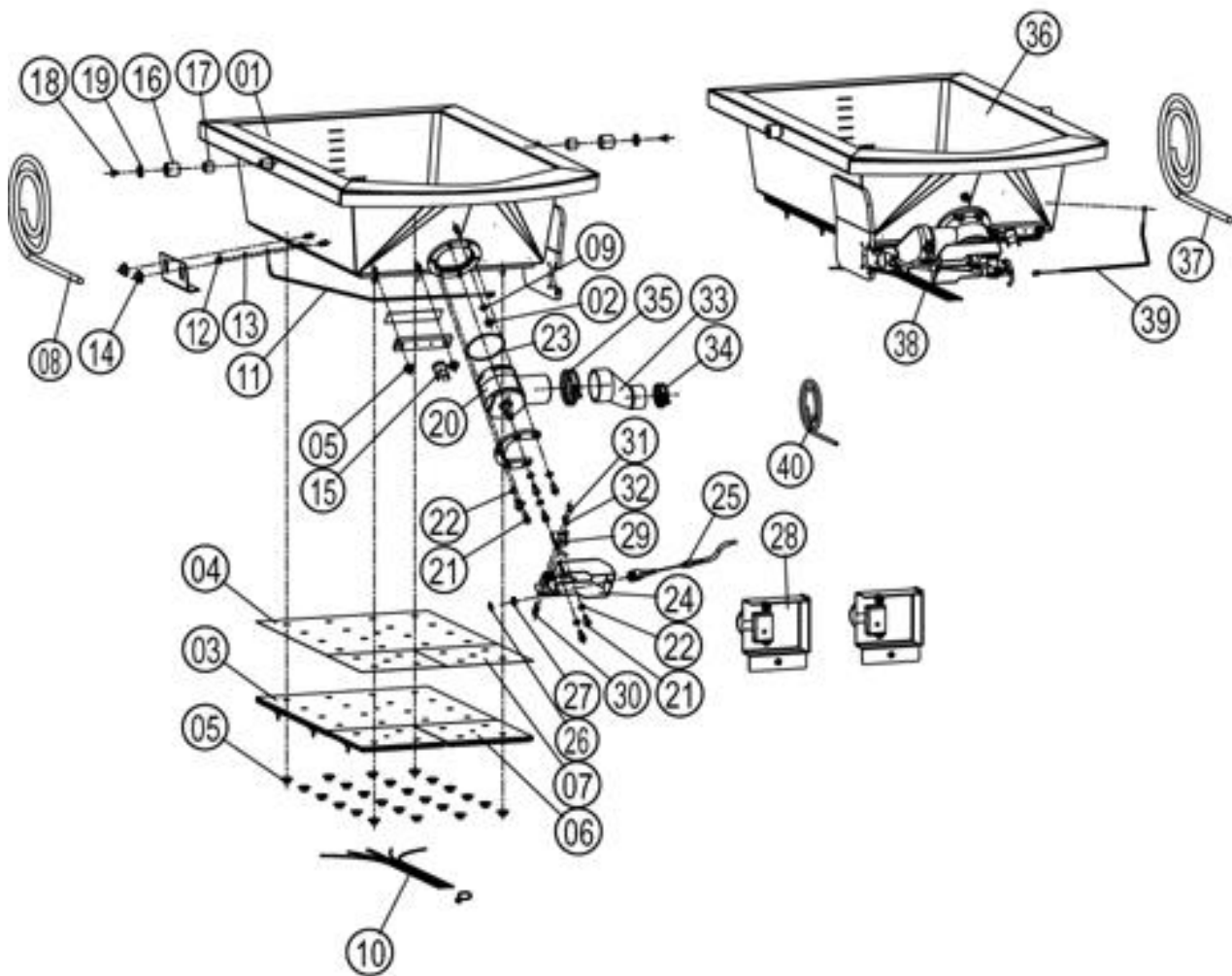
## Shaft toppling lid



## Shaft toppling lid

Pos.	Part no.	Description	Qty.
1	24.01.057	Shaft Toppling	
2	24.01.209	Bearing shaft lid central complete	
3	24.01.208	Bearing shaft lid	
4	24.00.794	Arm raising lid	
5	10.00.595	Hex socket set screw cup point A2_70 M6x6 Tuflok	
6	24.00.889	Stop ring	
7	10.00.633	Hex socket head cap screw M5X45	
8	20.00.689	Key toppling ppan/lid	
9	10.00.596	Hex screw M6x50 A2	
10	10.00.607	Hex combination nut M8	
11	20.01.033	Collar	
12	24.01.299	Axle sleeve VCC 112	
13	20.01.062	Ring friction pan shaft	
14	10.00.452	Hex socket set screw cup point A2 M4X4	

Pan as of 01/05 upto 01/06

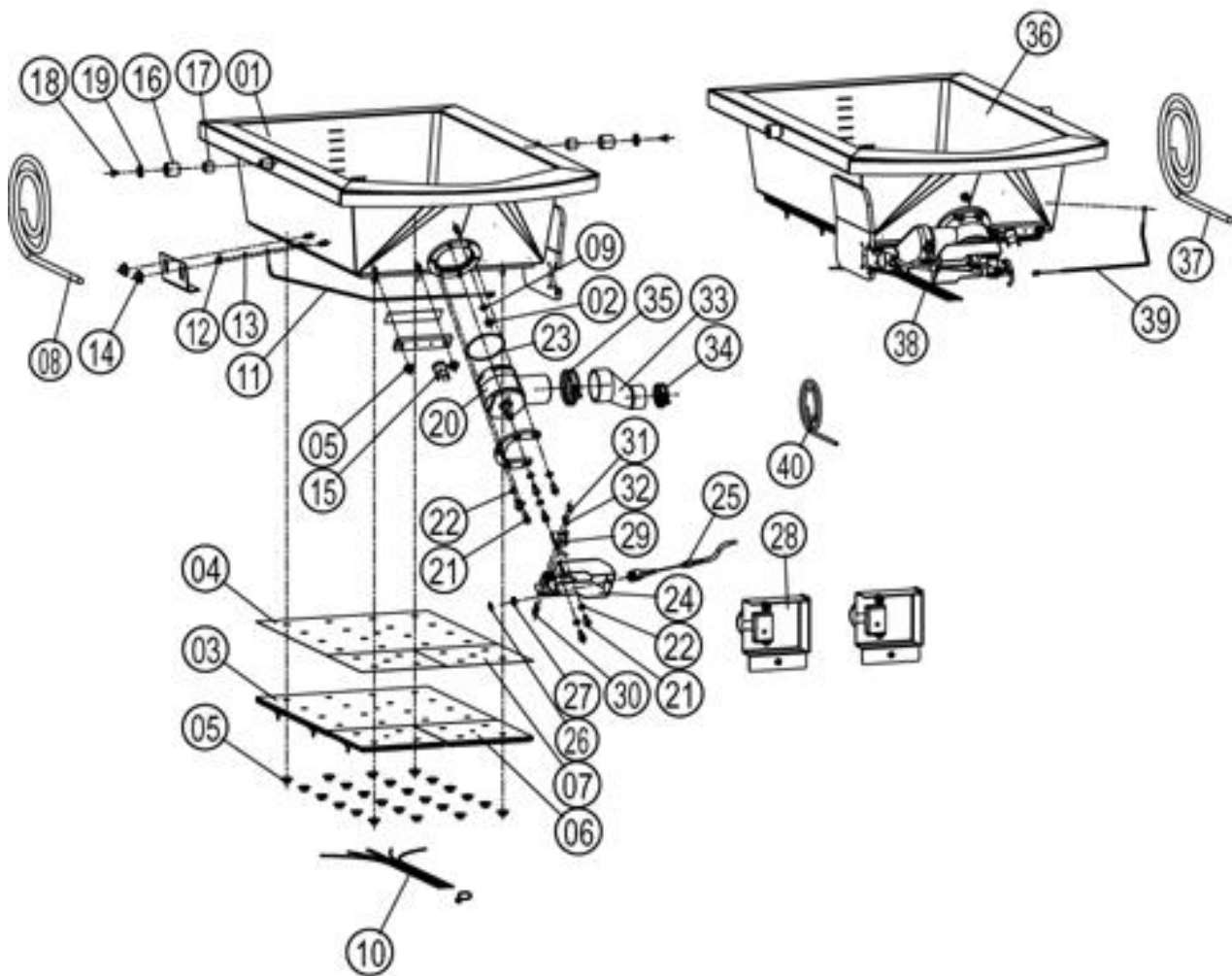


**VarioCooking Center 112+E**  
E11PA0502

**Pan as of 01/05 upto 01/06**

Pos.	Part no.	Description	Qty.
1	20.00.712	Pan left assembly	
2	1106.0160F	Hex nut M6	
3	40.01.940	Heating element 2x2800W	
4	20.00.714	Graphit plate big for heating element 5600W	
5	1105.0121V	Hex combination nut M5 galv	
6	40.01.939	Heating element 1400W	
7	20.00.710	Graphit plate for heating element 1400W	
8	46.00.100	Cable control harness heating, left	
9	10.00.189	Tooth lock washer A4 AZ6	
10	20.00.849	Thermocouple bundle	
11	20.00.853	Thermocouple pan left	
12	1104.0122F	Hex combination nut M4 galv	
13	10.00.187	Lock washer AZ 4	
14	1106.0803V	Hex combination nut M6 galv	
15	3014.0325V	Safety temperature limiter 110°C	
16	20.00.716	Locking roller pan	
17	20.00.715	Ring MB DU 12/12	
18	10.00.598	Allen screw A2 M5X8 TF	
19	20.00.975	Washer maintenance roller bolt	
20		Actuation for pan valve cpl. VCC 112-311	
21	1005.0663V	Allen screw M5x10	
22	1205.0260F	Spring washer B5	
23	20.00.946	Gasket f. pan valve fixing device	
24	20.00.947	Lever cpl. f. pan valve	
25	20.00.915	Bowden cable for pan valve	
26	1251.1000V	Safety washer ø5mm	
27	1306.0120V	Washer A6,4	
28		Motor for pan valve	
29	20.00.923	Micro switch pan left valve position	
30	10.00.619	Hex socket head cap screw A2 M2X16	
31	10.00.636	Hex nut M2 self-locking	
32	10.00.625	Washer M2 A2	
33	20.00.898	Coupling valve evacuation	
34	20.00.715	Hose clamp 31,3 mm	
35	10.00.645	Hose clamp D44.4	
36	20.00.958	Pan right assembly	

Pan as of 01/05 upto 01/06

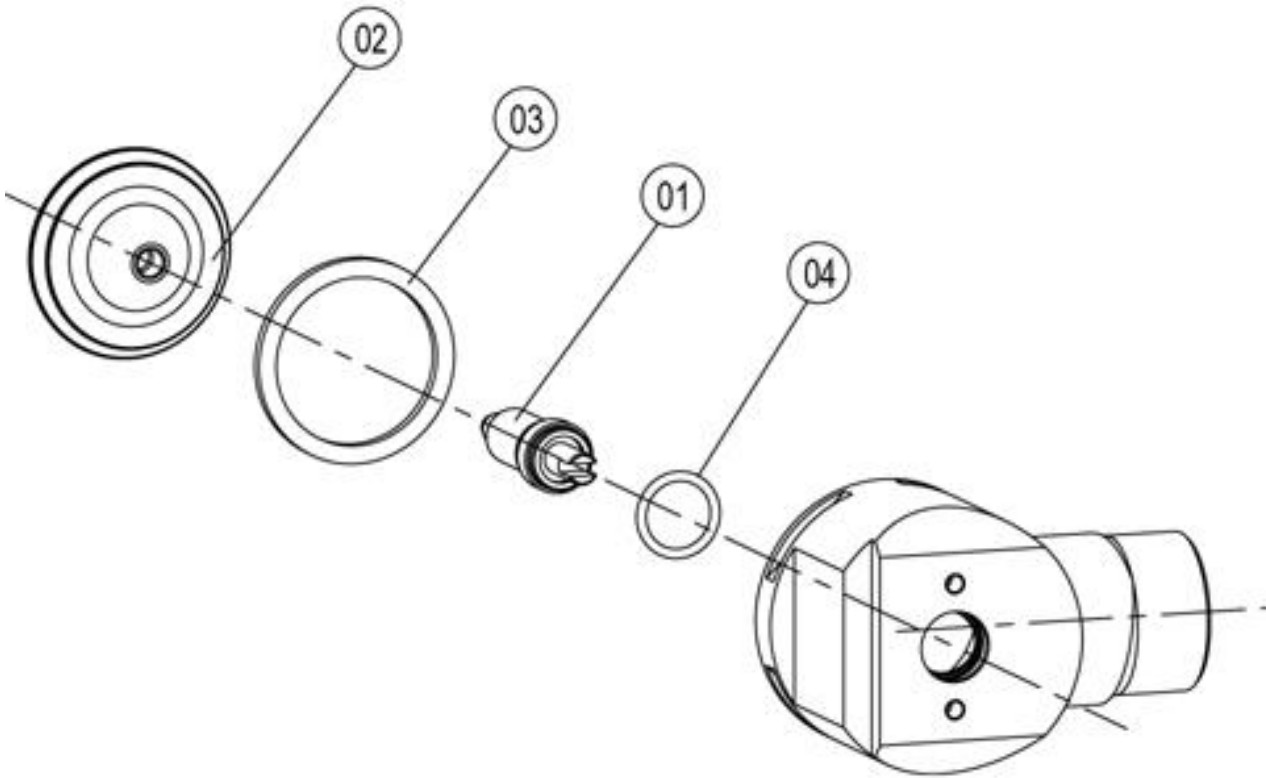


---

## Pan as of 01/05 upto 01/06

Pos.	Part no.	Description	Qty.
37	46.00.103	Cable control harness heating, right	
38	20.00.850	Thermocouple bundle	
39	20.00.854	Thermocouple pan right	
40	40.01.710	Micro switch pan right valve position	

## Actuation for pan valve cpl. VCC 112-311

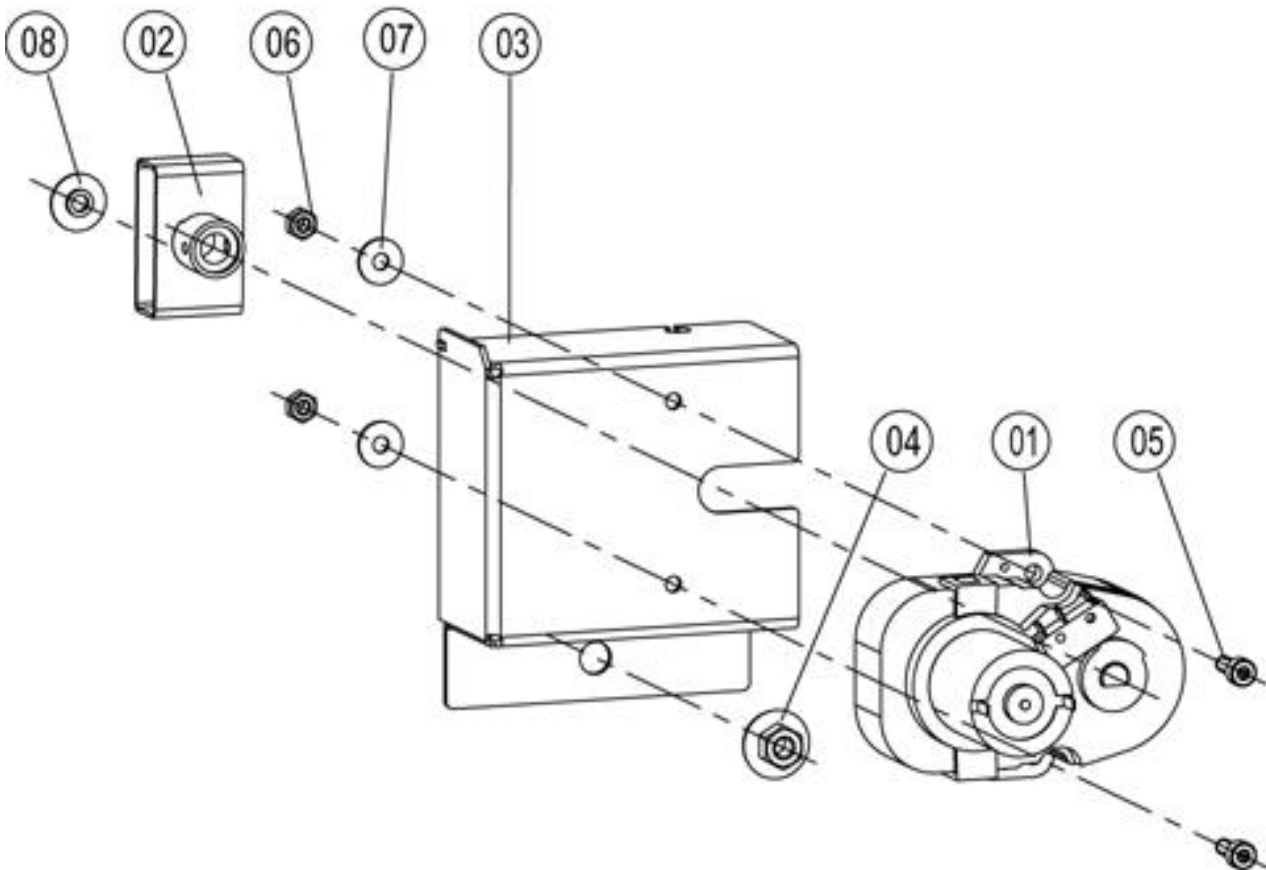


---

## Actuation for pan valve cpl. VCC 112-311

Pos.	Part no.	Description	Qty.
1	20.00.905	Sheath for pan valve	
2	20.00.970	Plug for pan valve	
3	20.00.992	Gasket for plug pan valve	
4	10.00.675	O-ring f. pan valve 17.3 x 2.4	

## Motor for pan valve

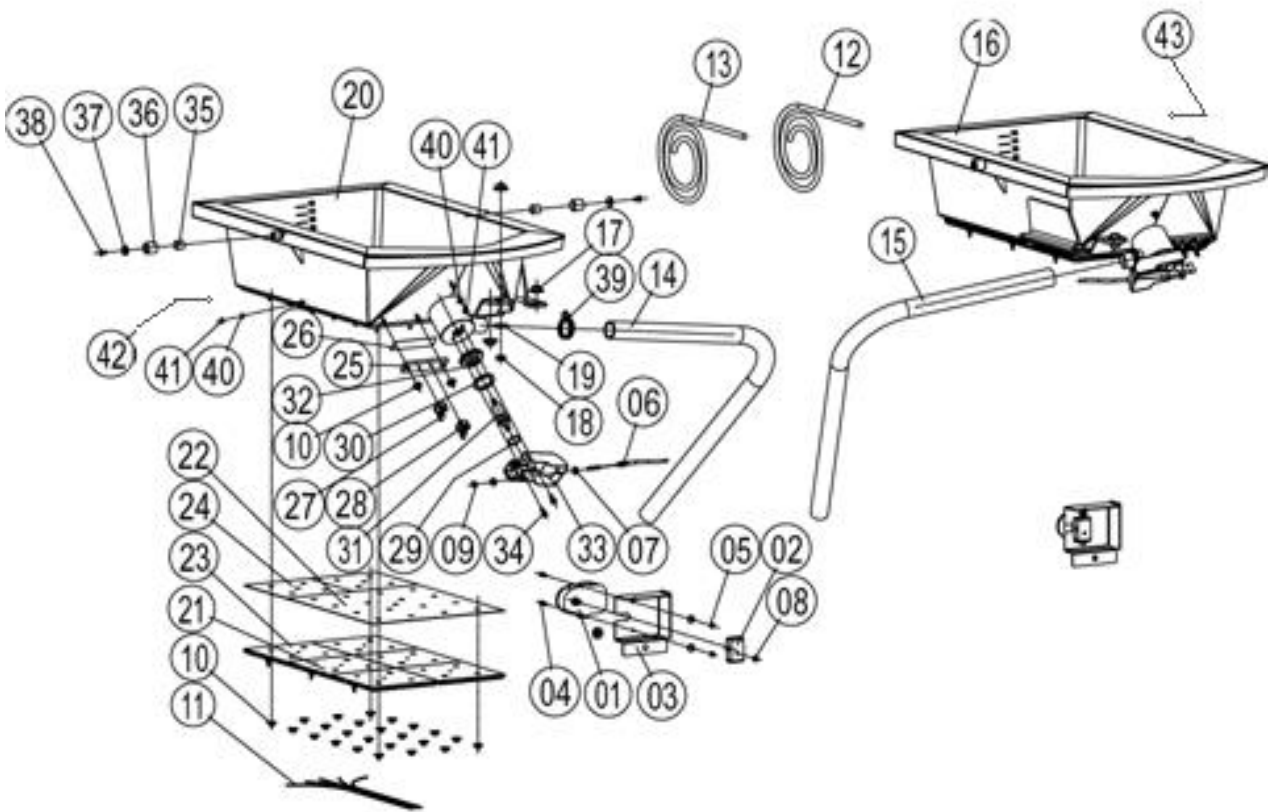


---

## Motor for pan valve

Pos.	Part no.	Description	Qty.
1	40.02.040	Gear motor pan valve	
2	20.00.957	Lever f. bowden cable pan valve	
3	20.00.876	Pan valve motor holder	
4	1106.0803V	Hex combination nut M6 galv	
5	1004.0663V	Allen screw M4x12	
6	1104.0121V	Hex nut M4 self locking	
7	1306.0218V	Washer A4,3	
8	20.00.989	Bearing coupling for cable	

Pan as of 02/06 up to 10/06

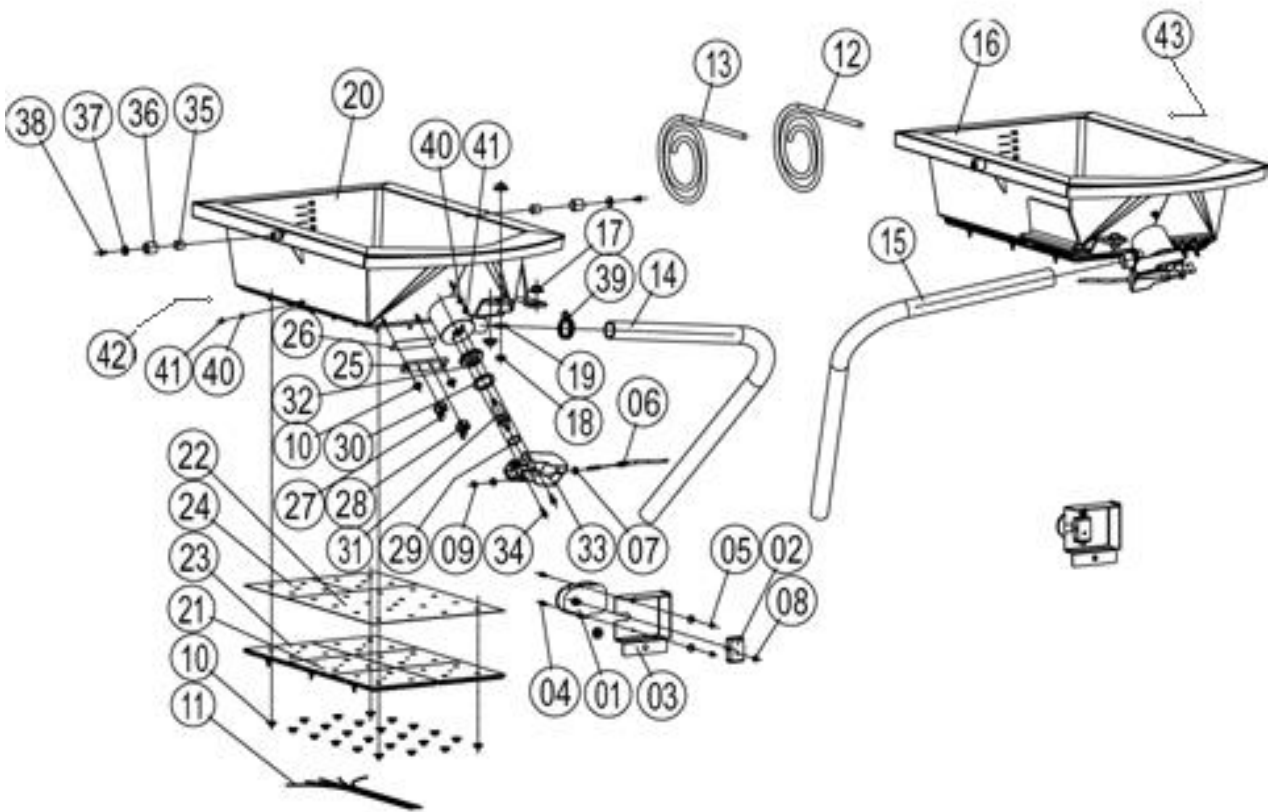


**VarioCooking Center 112+E**  
E11PA0502

**Pan as of 02/06 up to 10/06**

Pos.	Part no.	Description	Qty.
1	20.01.027	Actuation for pan valve cpl.	
2	20.00.957	Lever f. bowden cable pan valve	
3	20.00.876	Pan valve motor holder	
4	1004.0663V	Allen screw M4x12	
5	1104.0121V	Hex nut M4 self locking	
6	20.00.915	Bowden cable for pan valve	
7	1306.0120V	Washer A6,4	
8	10.00.672	Disc IGUS 112-311	
9	1251.1000V	Safety washer ø5mm	
10	1105.0121V	Hex combination nut M5 galv	
11	87.00.094	Thermocouple for heating element	
12	46.00.119	Wiring harness, heating elements, pan right	
13	46.00.118	Wiring harness, heating elements, pan left	
14	50.00.627	Drain hose pan left 112	
15	50.00.628	Drain hose pan right 112	
16	20.01.054	Pan right	
17	10.00.607	Hex combination nut M8	
18	1108.0260V	Hex nut M8	
19	1308.0161V	Washer A8,4	
20	20.01.071	Pan left	
21	40.02.145	Heating element 4X1400W	
22	20.00.714	Graphit plate big for heating element 5600W	
23	40.01.939	Heating element 1400W	
24	20.00.710	Graphit plate for heating element 1400W	
25	20.00.983	Mounting device for Bimetall switch	
26	20.00.987	Graphit plate for Bimetall switch	
27	40.02.337	Safety temperature limiter 215°C	
28	40.02.335	Bimetal switch 110°	
29	10.00.675	O-ring f. pan valve 17.3 x 2.4	
30	20.00.992	Gasket for plug pan valve	
31	20.00.905	Sheath for pan valve	
32	20.00.970	Plug for pan valve	
33		Lever valve cable	
34	1005.0663V	Allen screw M5x10	
35	20.00.715	Ring MB DU 12/12	
36	20.00.716	Locking roller pan	

Pan as of 02/06 up to 10/06

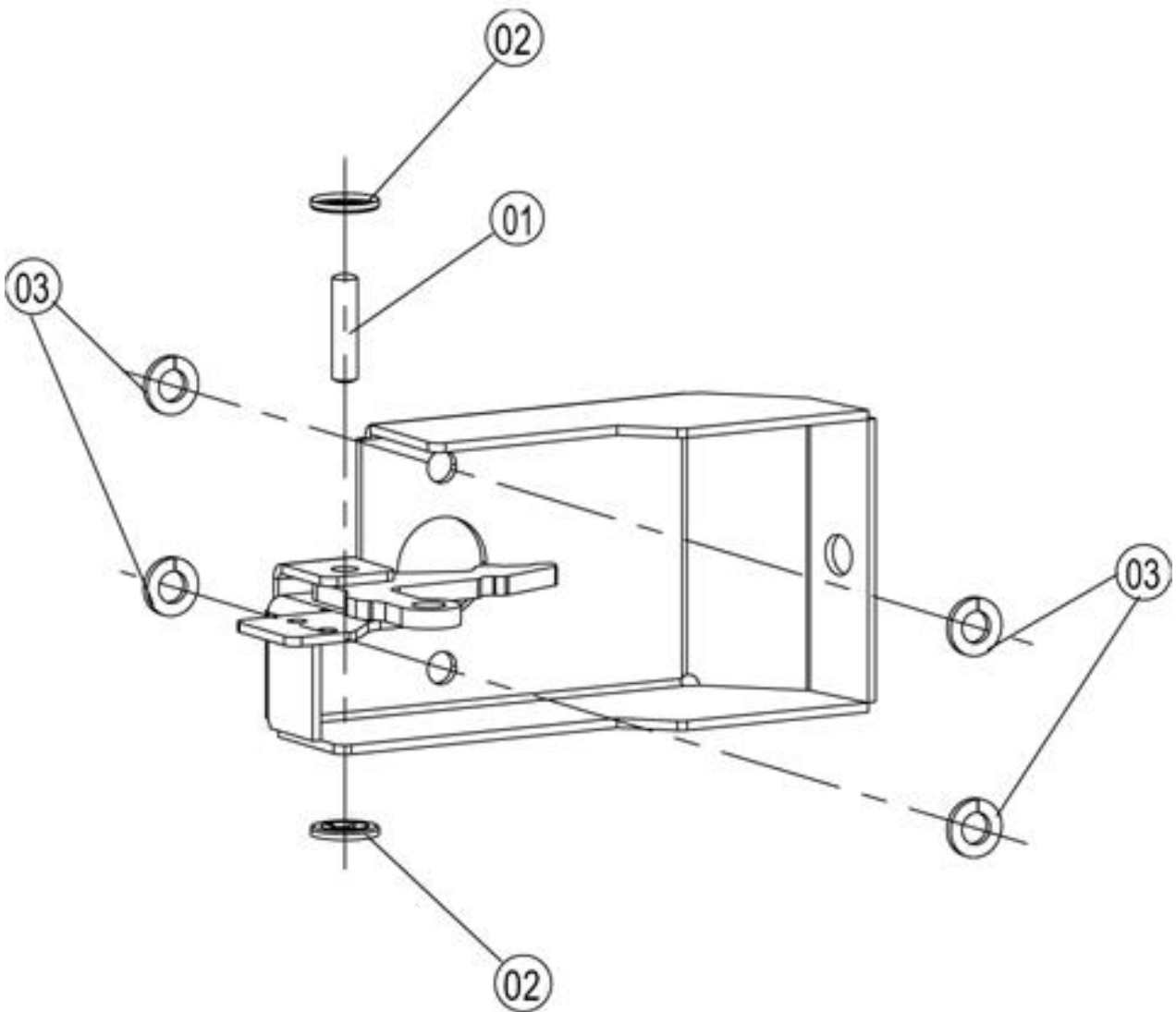


---

## Pan as of 02/06 up to 10/06

Pos.	Part no.	Description	Qty.
37	20.00.975	Washer maintenance roller bolt	
38	10.00.597	Slot counter head secur screw A2 M5X10	
39	20.00.715	Hose clamp 31,3 mm	
40	10.00.187	Lock washer AZ 4	
41	1104.0120V	Hex nut M4	
42	20.00.853	Thermocouple pan left	
43	20.00.854	Thermocouple pan right	

## Lever valve cable

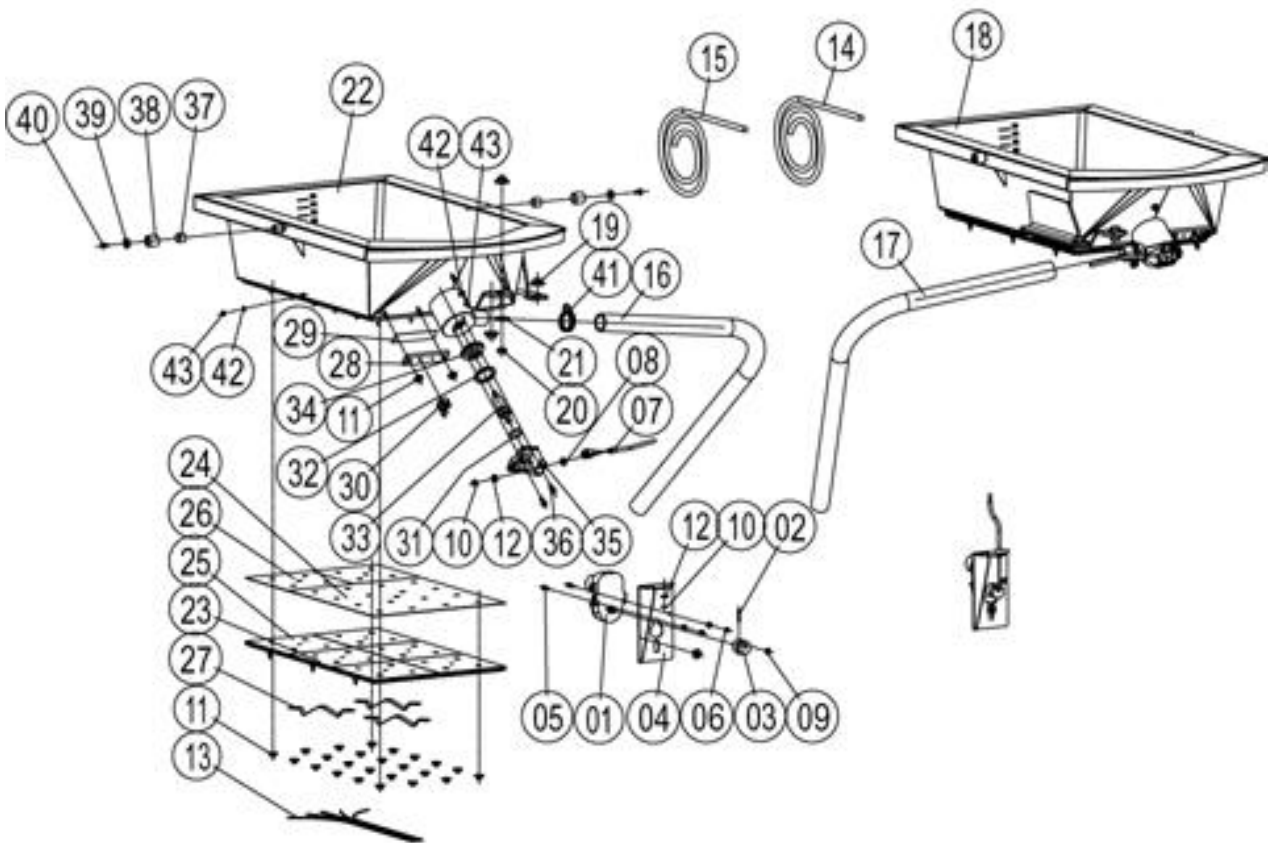


---

## Lever valve cable

Pos.	Part no.	Description	Qty.
1	1805.1709F	Straight pin 4x12 A2	
2	1107.0100F	Star lock ø4	
3	1205.0260F	Spring washer B5	

Pan as of 11/06 up to 11/06

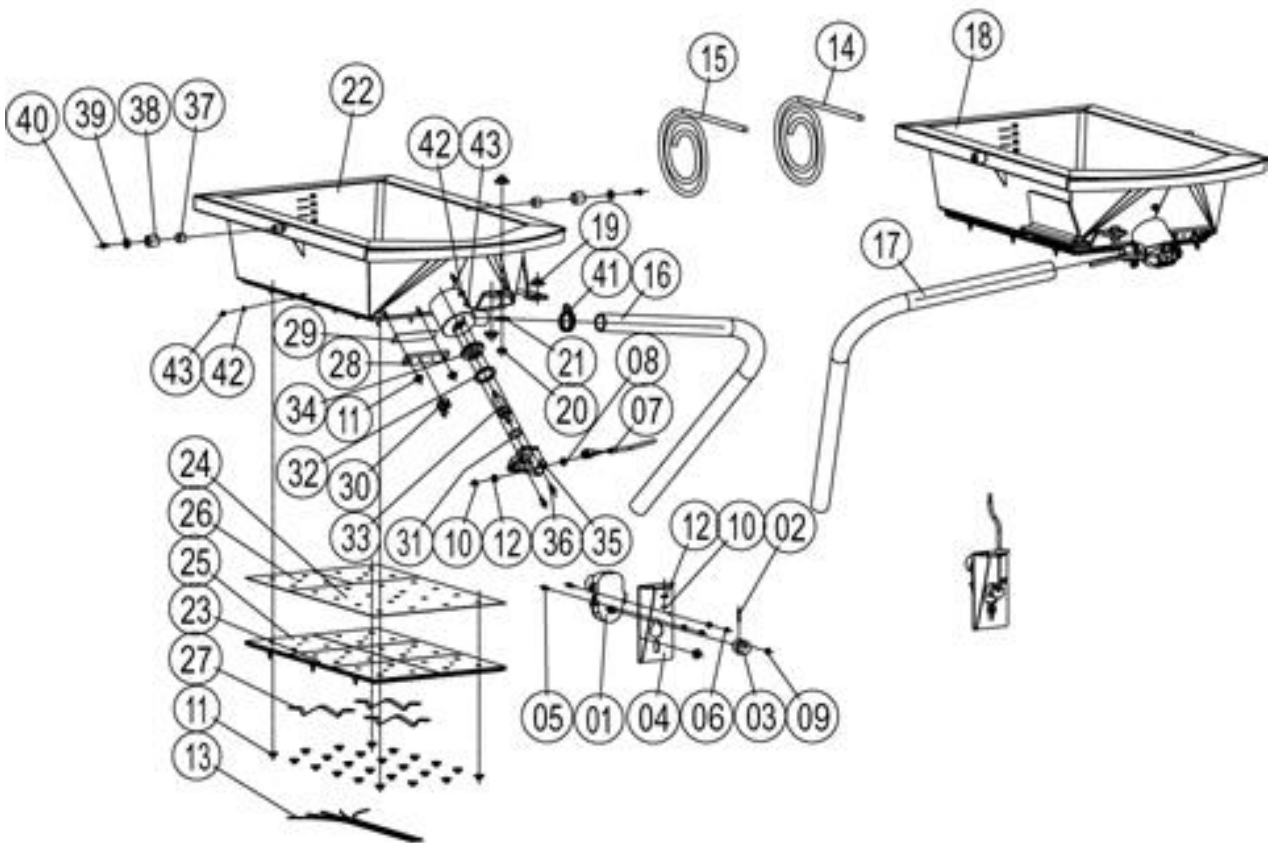


**VarioCooking Center 112+E**  
E11PA0502

**Pan as of 11/06 up to 11/06**

Pos.	Part no.	Description	Qty.
1	20.01.027	Actuation for pan valve cpl.	
2	10.00.781	Straight pin ISO2338 A2 3m6x20	
3	20.01.069	Switching cam f. pan drain valve	
4	20.01.036	Rest for motor, pan valve	
5	1004.0663V	Allen screw M4x12	
6	1104.0121V	Hex nut M4 self locking	
7	20.01.092	Bowden cable	
8	1306.0120V	Washer A6,4	
9	10.00.672	Disc IGUS 112-311	
10	1251.1000V	Safety washer ø5mm	
11	1105.0121V	Hex combination nut M5 galv	
12	10.00.805	Washer M6 x 1.2 A2	
13	87.00.094	Thermocouple for heating element	
14	46.00.119	Wiring harness, heating elements, pan right	
15	46.00.118	Wiring harness, heating elements, pan left	
16	50.00.627	Drain hose pan left 112	
17	50.00.628	Drain hose pan right 112	
18	20.01.054	Pan right	
19	10.00.607	Hex combination nut M8	
20	1108.0260V	Hex nut M8	
21	1308.0161V	Washer A8,4	
22	20.01.071	Pan left	
23	40.02.145	Heating element 4X1400W	
24	20.00.714	Graphit plate big for heating element 5600W	
25	40.01.939	Heating element 1400W	
26	20.00.710	Graphit plate for heating element 1400W	
27	46.00.123	Mounting device thermocouple for heating element	
28	20.00.983	Mounting device for Bimetall switch	
29	20.00.987	Graphit plate for Bimetall switch	
30	40.02.337	Safety temperature limiter 215°C	
31	10.00.675	O-ring f. pan valve 17.3 x 2.4	
32	20.00.992	Gasket for plug pan valve	
33	20.00.905	Sheath for pan valve	
34	20.00.970	Plug for pan valve	
35	20.01.031	Actuation for pan valve	
36	1005.0663V	Allen screw M5x10	

Pan as of 11/06 up to 11/06

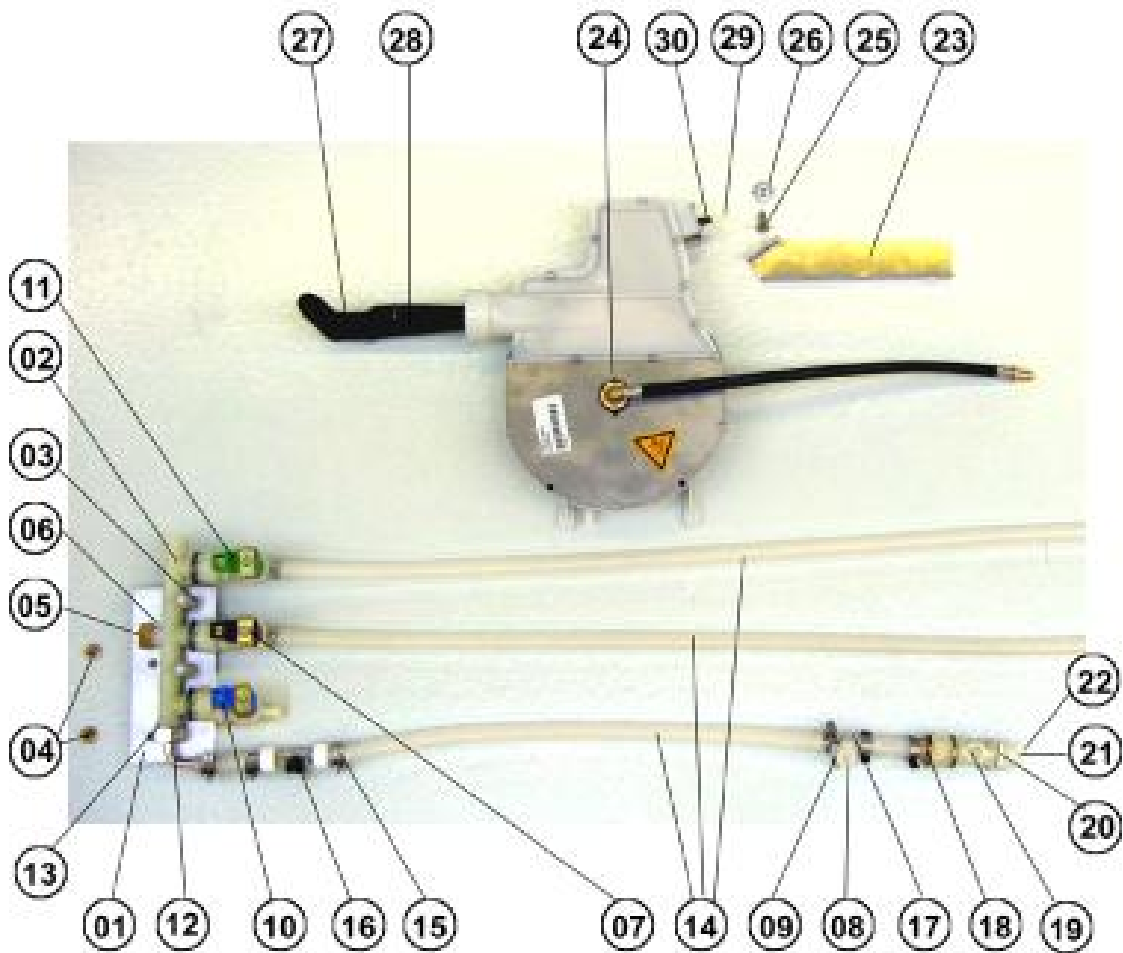


---

## Pan as of 11/06 up to 11/06

Pos.	Part no.	Description	Qty.
37	20.00.715	Ring MB DU 12/12	
38	20.00.716	Locking roller pan	
39	20.00.975	Washer maintenance roller bolt	
40	10.00.597	Slot counter head secur screw A2 M5X10	
41	20.00.715	Hose clamp 31,3 mm	
42	10.00.187	Lock washer AZ 4	
43	1104.0120V	Hex nut M4	

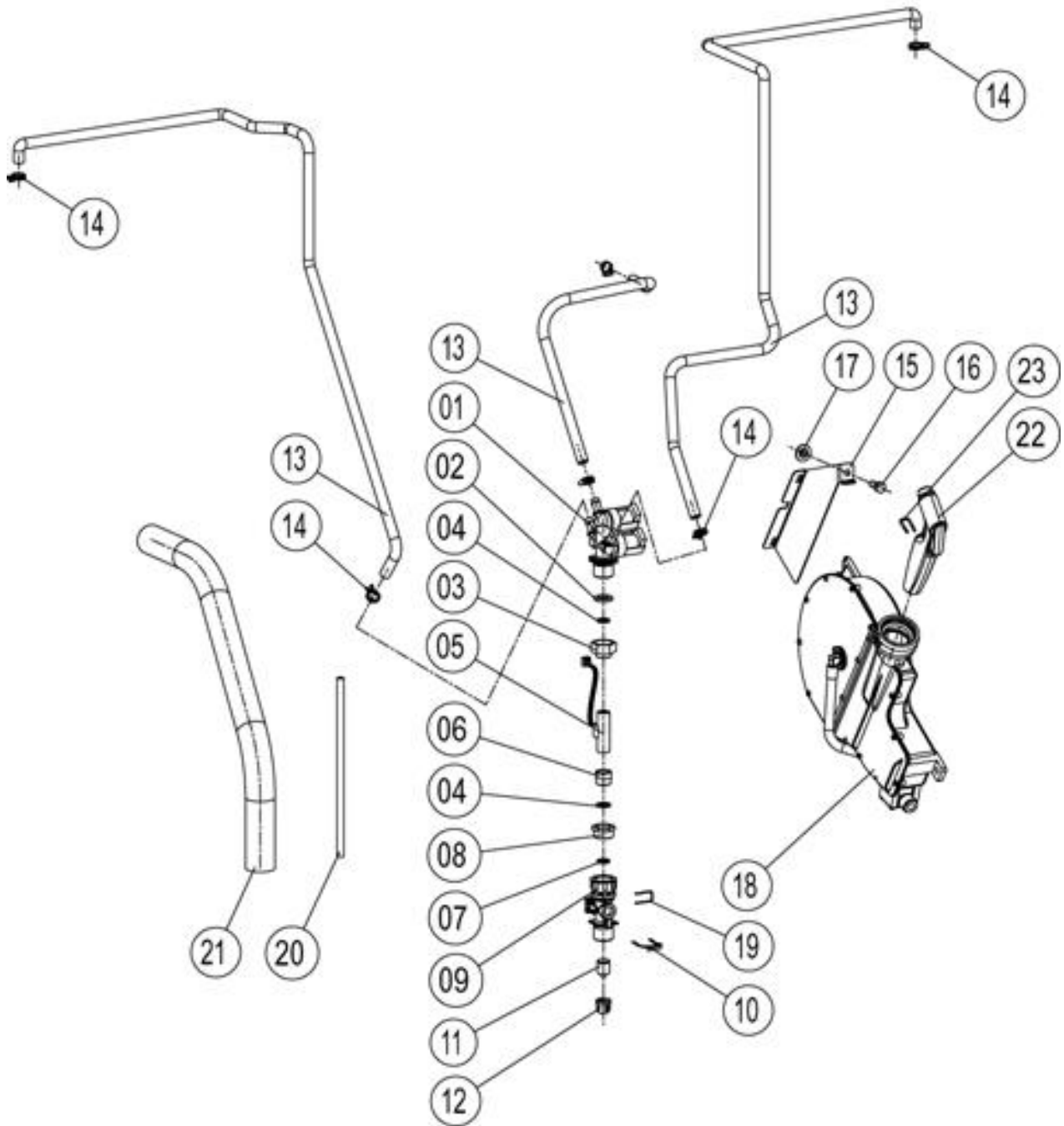
## Water distribution - hand shower roll guide as of 01/05



## Water distribution - hand shower roll guide as of 01/05

Pos.	Part no.	Description	Qty.
1	12.00.609	Drain pipe holder	
2	8664.1007V	Water distribution unit	
3	1006.2060F	Hex screw M6x55	
4	1106.0803V	Hex combination nut M6 galv	
5	50.00.562	"Plug brass F 1/2""	
6	50.00.599	Gasket TESNIT 20x12x2 1/2"	
7	50.00.575	Solenoid valve (connector color brown)	
8	50.00.568	Silicone hose diameter out 14mm in 8mm	
9	2066.0530V	Hose clamp ø16.4mm	
10	50.00.139	Single solenoid valve	
11	50.00.316	Single solenoid valve	
12	16.00.402	"Elbow fitting to crimp 3/4"" D12"	
13	5110.1024V	Gasket for G3/4" threaded joint	
14	2067.0050V	Pressure hose d10mm	
15	50.00.348	Hose clamp 12.22 L9	
16	40.01.311	Water volume sensor Vision 2000 3/8"	
17	54.01.388	T-fitting TS10 brass	
18	50.00.600	"Elbow fitting to crimp M3/4"" D13"	
19	50.00.073	Water distribution vert w/o roll guide con.	
20	50.00.086	Locking plate f. water distribution	
21	50.00.078	Non return valve DW16/DN12	
22	1900.0202V	Water filter	
23	12.00.617	Shower roll guide holder	
24	50.00.552	Hand shower roll guide VCC	
25	1008.0760V	Hex screw M8x16	
26	10.00.607	Hex combination nut M8	
27	50.00.590	Hand shower blue	
28	50.00.156	Clamp f. hand shower roll guide	
29	24.01.232	Silicone hose 6x9	
30	2066.0533V	Hose clamp ø10.1	

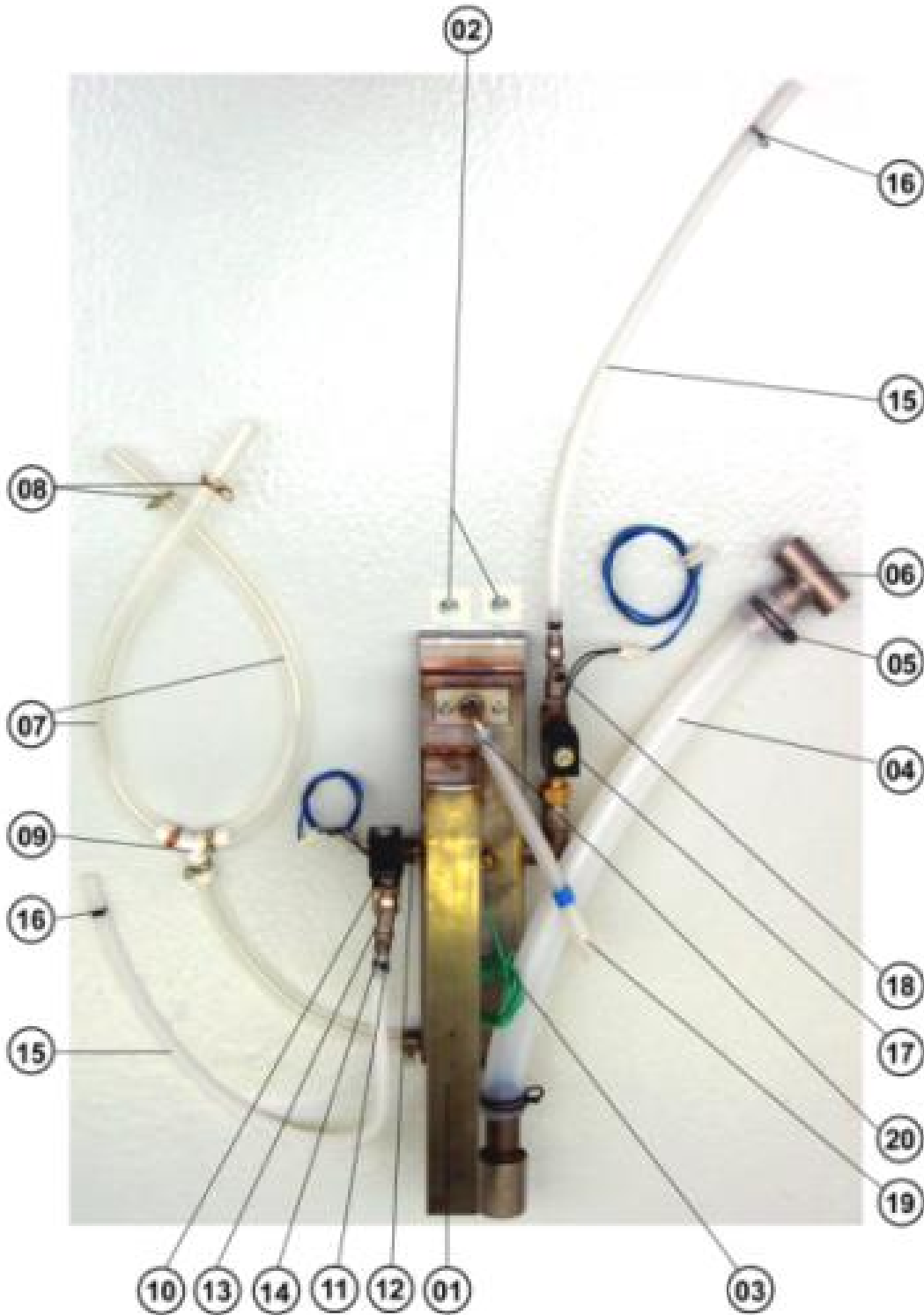
## Water distribution - hand shower roll guide as of 02/06



## Water distribution - hand shower roll guide as of 02/06

Pos.	Part no.	Description	Qty.
1	50.00.634	Triple solenoid valve	
2	5110.1024V	Gasket for G3/4" threaded joint	
3	50.00.654	Reducing nipple 3/4 - 3/8	
4	50.00.659	Gasket Tesnit 3/8"	
5	40.02.349	Water volume sensor with wire	
6	50.00.653	Reducing nipple 1/2 - 3/8	
7	50.00.599	Gasket TESNIT 20x12x2 1/2"	
8	50.00.658	Reducing nipple 3/4 - 1/2	
9	50.00.072	Water distribution vert roll guide con.	
10	50.00.086	Locking plate f. water distribution	
11	50.00.078	Non return valve DW16/DN12	
12	1900.0202V	Water filter	
13	50.00.568	Silicone hose diameter out 14mm in 8mm	
14	2066.0530V	Hose clamp ø16.4mm	
15	12.00.617	Shower roll guide holder	
16	1008.0763V	Hex screw M8x20	
17	10.00.607	Hex combination nut M8	
18	50.00.626	Hand shower roll guide VCC	
19	50.00.085	Plug-in spring f. hand shower roll guide	
20	24.01.232	Silicone hose 6x9	
21	87.00.475	Discharge pipe of pan	
22	50.00.590	Hand shower blue	
23	50.00.156	Clamp f. hand shower roll guide	

**Drain as of 01/05 upto 01/06**



## Drain as of 01/05 upto 01/06

Pos.	Part no.	Description	Qty.
1		Quenching box	
2	1106.0801F	Hex combination nut M6	
3	54.00.479	Thermocouple quenching box	
4	24.00.348	Silicone hose D30/40	
5	10.00.645	Hose clamp D44.4	
6	20.00.951	T evacuation waste water	
7	24.01.231	Silicone hose 16/20	
8	2066.0525V	Hose clamp ø22,1 mm	
9	24.01.230	Y-fitting Y 16	
10	40.01.720	Solenoid valve f. decompression 1/2" right	
11	54.00.536	Threaded connection 3/4" 1/2" revolving nut	
12	5110.1024V	Gasket for G3/4" threaded joint	
13	50.00.494	"Reducing nipple M1/2" F3/8"	
14	54.00.548	T-fitting center 36981217	
15	50.00.568	Silicone hose diameter out 14mm in 8mm	
16	2066.0527V	Hose clamp ø14mm	
17	40.01.721	Solenoid valve f. decompression 1/2" left	
18	54.00.537	T-fitting G3/8 D12	
19	2067.0050V	Pressure hose d10mm	
20	2066.0530V	Hose clamp ø16.4mm	

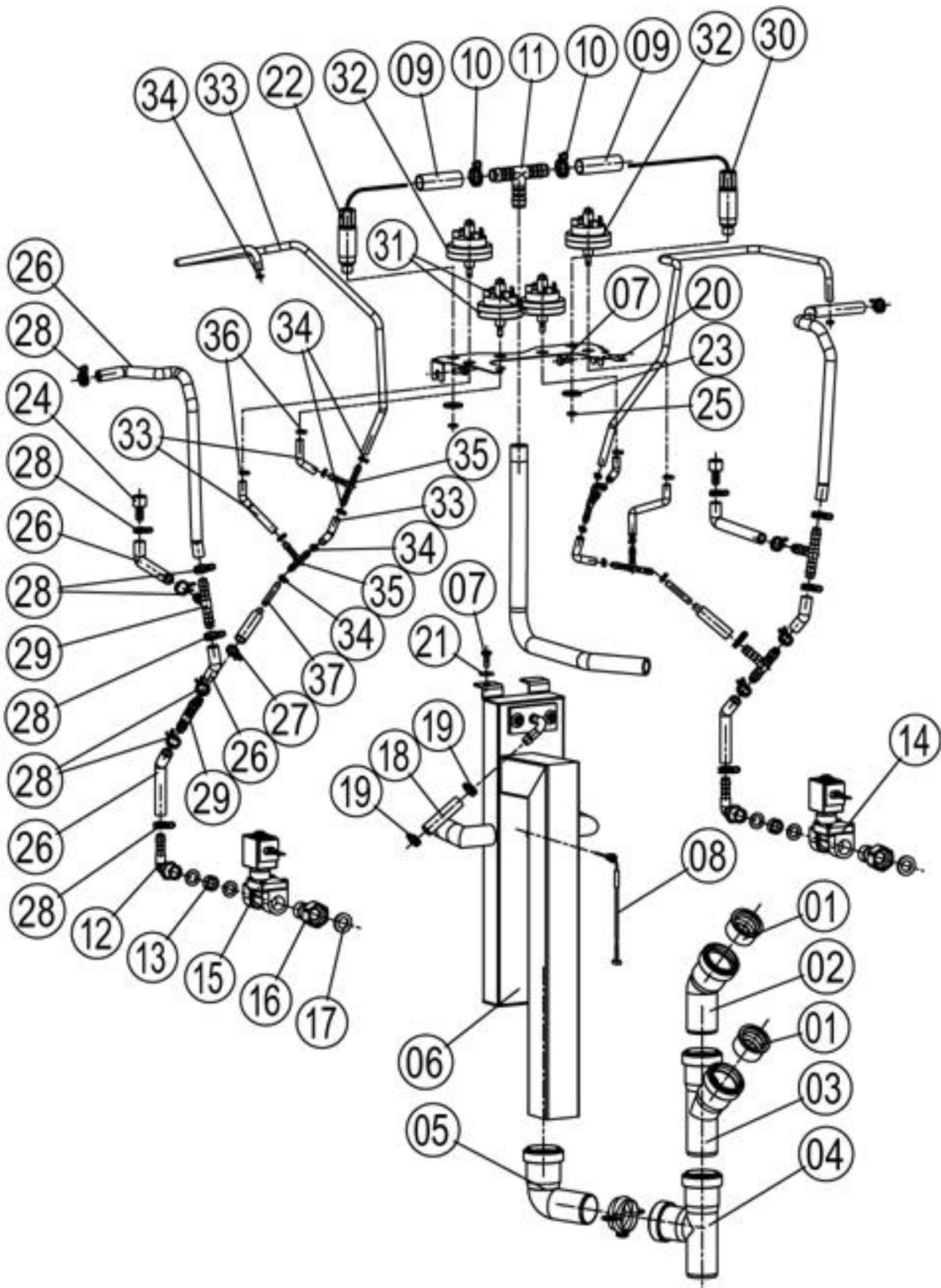
## Quenching box



## Quenching box

Pos.	Part no.	Description	Qty.
1	2016.0936F	Quenching nozzle 3.9 l/min	
2	54.00.492	Welded nipple	
3	54.00.491	Quenching nozzle gasket	
4	1106.0803V	Hex combination nut M6 galv	

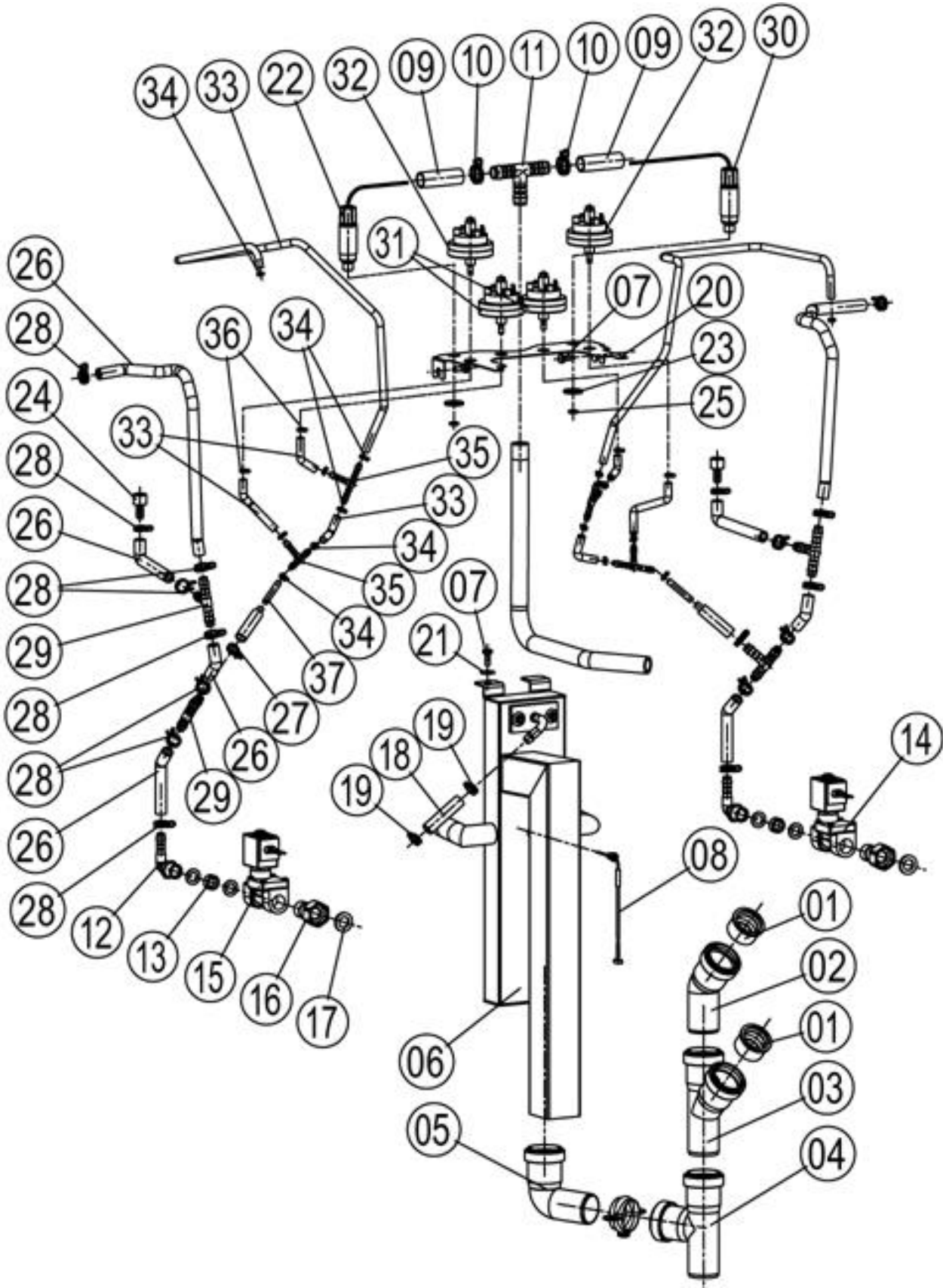
Drain as of 02/06 up to 11/06



## Drain as of 02/06 up to 11/06

Pos.	Part no.	Description	Qty.
1	54.00.581	Bushing PP D40/D30-32	
2	54.00.576	Elbow-pipe PP DN40 45°	
3	54.00.589	Y PP DN40 45°	
4	54.00.571	Y PP DN40 87°	
5	54.00.575	Elbow-pipe PP DN40 87.5°	
6	54.00.601	Quenching box	
7	1006.0760V	Hex screw M6x16	
8	54.00.479	Thermocouple quenching box	
9	24.01.231	Silicone hose 16/20	
10	2066.0525V	Hose clamp ø22,1 mm	
11	50.00.612	T-fitting plastic TS16	
12	50.00.647	Elbow pipe 1/2 D10	
13	50.00.656	Gasket EPDM 18.5-13 x 8	
14	40.01.720	Solenoid valve f. decompression 1/2" right	
15	40.01.721	Solenoid valve f. decompression 1/2" left	
16	54.00.536	Threaded connection 3/4" 1/2" revolving nut	
17	5110.1024V	Gasket for G3/4" threaded joint	
18	2067.0050V	Pressure hose d10mm	
19	50.00.348	Hose clamp 12.22 L9	
20	42.00.049	Mounting support for pressure sensor	
21	91.00.140	Washer L6 A2	
22	40.02.348	Pressure sensor left	
23	10.00.423	Washer M12 A2	
24	50.00.655	Fitting F1/4 D9	
25	40.02.014	O-ring NITRILE D16	
26	50.00.568	Silicone hose diameter out 14mm in 8mm	
27	2066.0527V	Hose clamp ø14mm	
28	2066.0530V	Hose clamp ø16.4mm	
29	54.01.388	T-fitting TS10 brass	
30	40.02.347	Pressure sensor right	
31	40.02.048	Pressure switch 25 mbar	
32	40.00.750	Pressure switch 200mbar	
33	24.01.232	Silicone hose 6x9	
34	10.00.656	Hose clamp D9.1	
35	44.00.749	T-fitting plastic DN6	
36	2066.0533V	Hose clamp ø10.1	

Drain as of 02/06 up to 11/06



VarioCooking Center 112+E  
E11PA0502

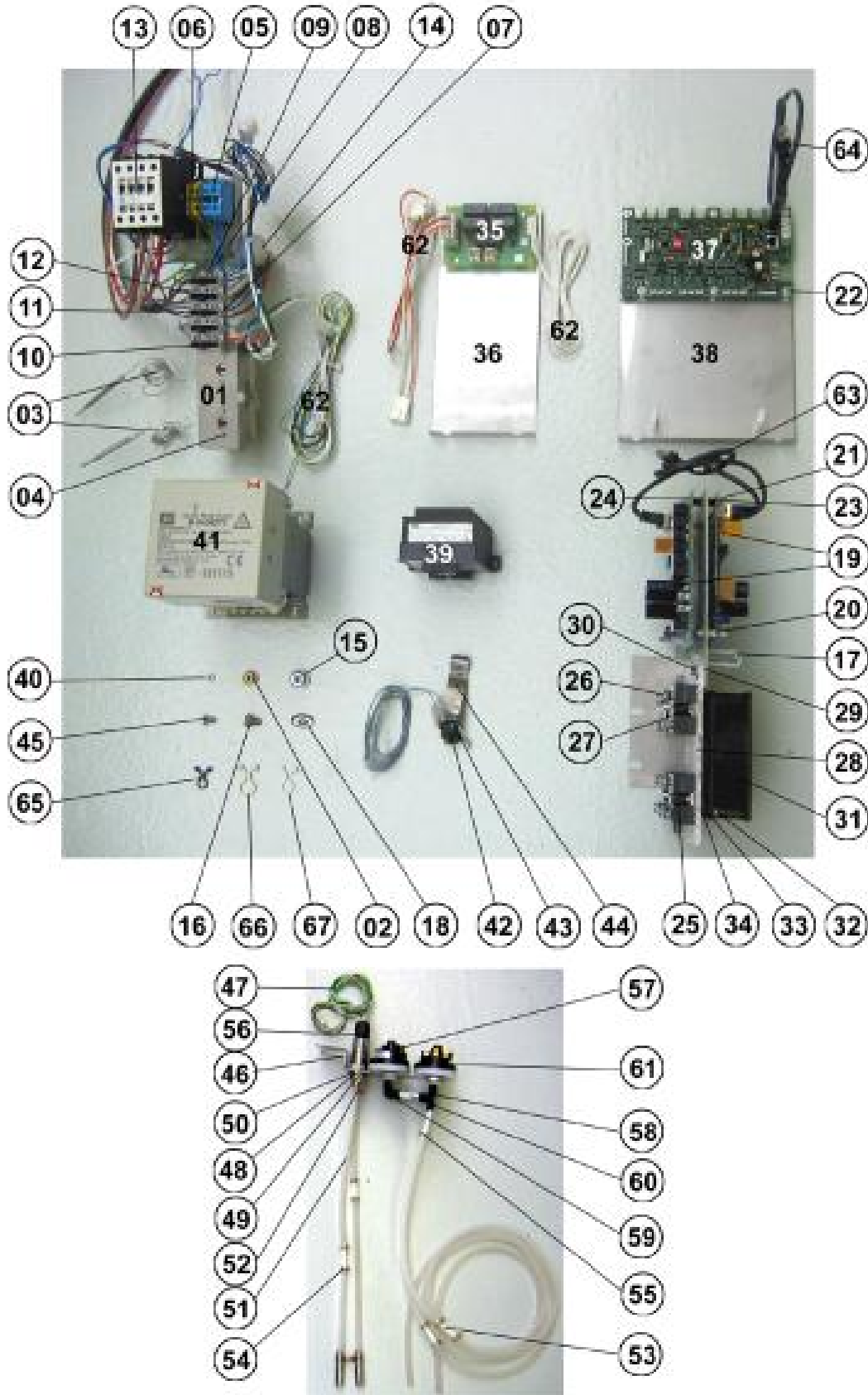


---

## Drain as of 02/06 up to 11/06

Pos.	Part no.	Description	Qty.
37	1900.0203F	Ceramic tube 40mm for	

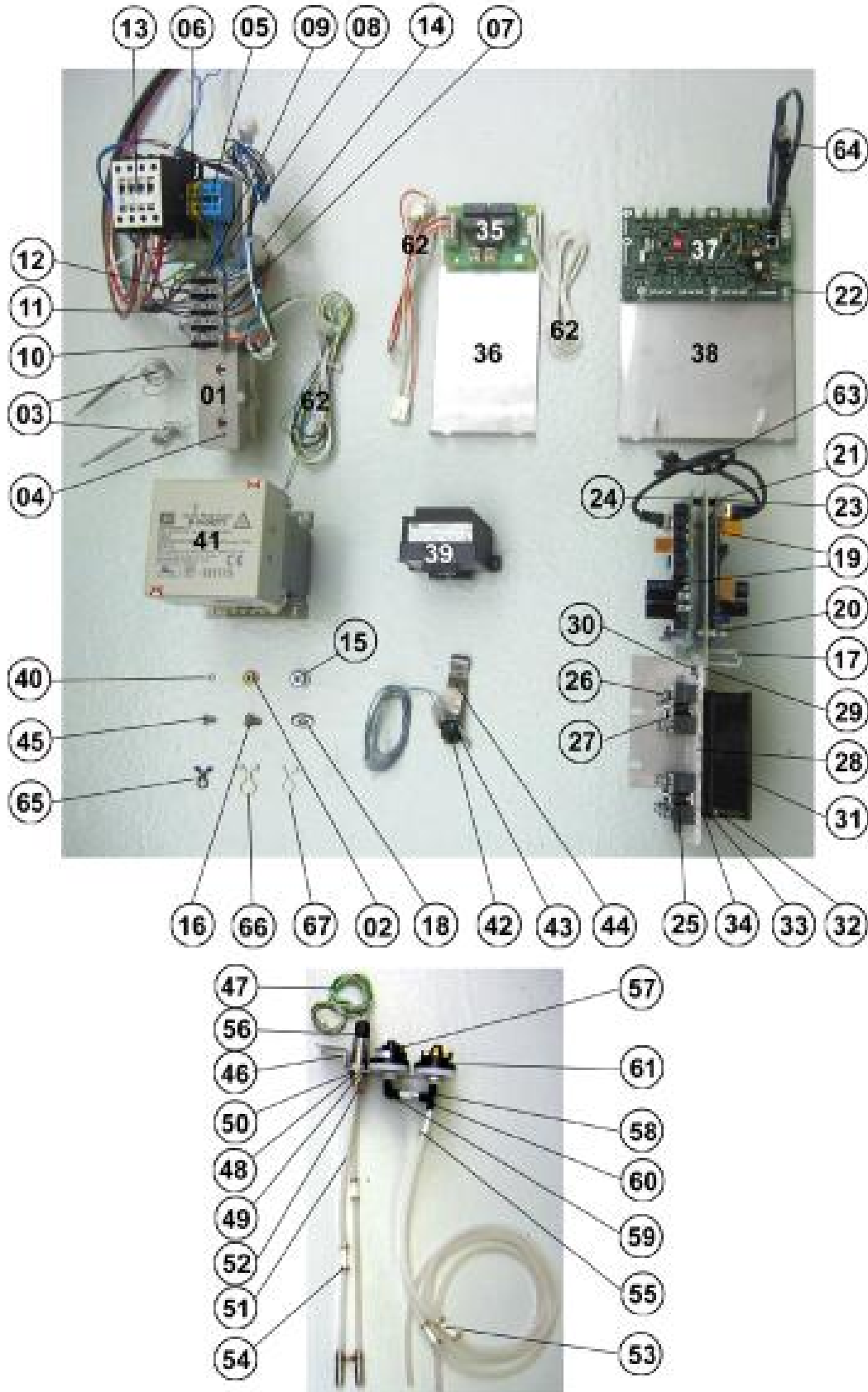
Electrical installation as of 01/05 upto 01/06



## Electrical installation as of 01/05 upto 01/06

Pos.	Part no.	Description	Qty.
1	12.00.603	Thermostat and fuse holder complete	
2	1106.0803V	Hex combination nut M6 galv	
3	40.00.673	Safety temperature limiter 220° (Oil too hot)	
4	1004.0023F	Slotted pan head screw M4x6	
5	40.00.826	Terminal block 25qmm blue	
6	40.00.639	Terminal block 25qmm g/y	
7	4001.1295V	Fuse holder e 1003Si/1DS	
8	10.00.611	Hex socket head cap screw A2 M3X20	
9	10.00.632	Hex combination nut M3	
10	4001.0224V	Fuse 6.35x32mm 6,3A slow-blow	
11	40.01.941	Fuse 6.35x32mm 250V 8A	
12	4001.0226V	Fuse 6.35x32mm 16A, time-lag	
13	40.01.556	Contacteur CL04A310M6-M	
14	40.00.465	Electronic noise filter	
15	10.00.607	Hex combination nut M8	
16	1008.0760V	Hex screw M8x16	
17	10.00.111	Cable clip long	
18	1308.0160V	Washer A8,4	
19	42.00.055V	Relay-I/O pcb	
20	40.00.417F	Fixing clip f. pcb	
21	40.02.015	Distance nut PA H10 x 4.3 D.8MM	
22	40.02.047	Fixing clip white p/1.6mm	
23	1104.0120V	Hex nut M4	
24	10.00.187	Lock washer AZ 4	
25	40.01.589	Solid state relais	
26	10.00.507	Pan head screw Torx 5/16" T20	
27	1004.0500F	Raised countersunk metal screw M4x8 oval head	
28	40.01.967	Fixing device for SSR	
29	10.00.588	Hex screw M5x12 DIN933	
30	1105.0121V	Hex combination nut M5 galv	
31	3101.1008V	Cooling fan	
32	10.00.626	Hex socket head cap screw A2 M4X20	
33	40.02.015	Distance nut PA H10 x 4.3 D.8MM	
34	1306.0218V	Washer A4,3	
35	42.00.038	Relay pcb (5 Relay)	
36	12.00.600	5 relay pcb holder	

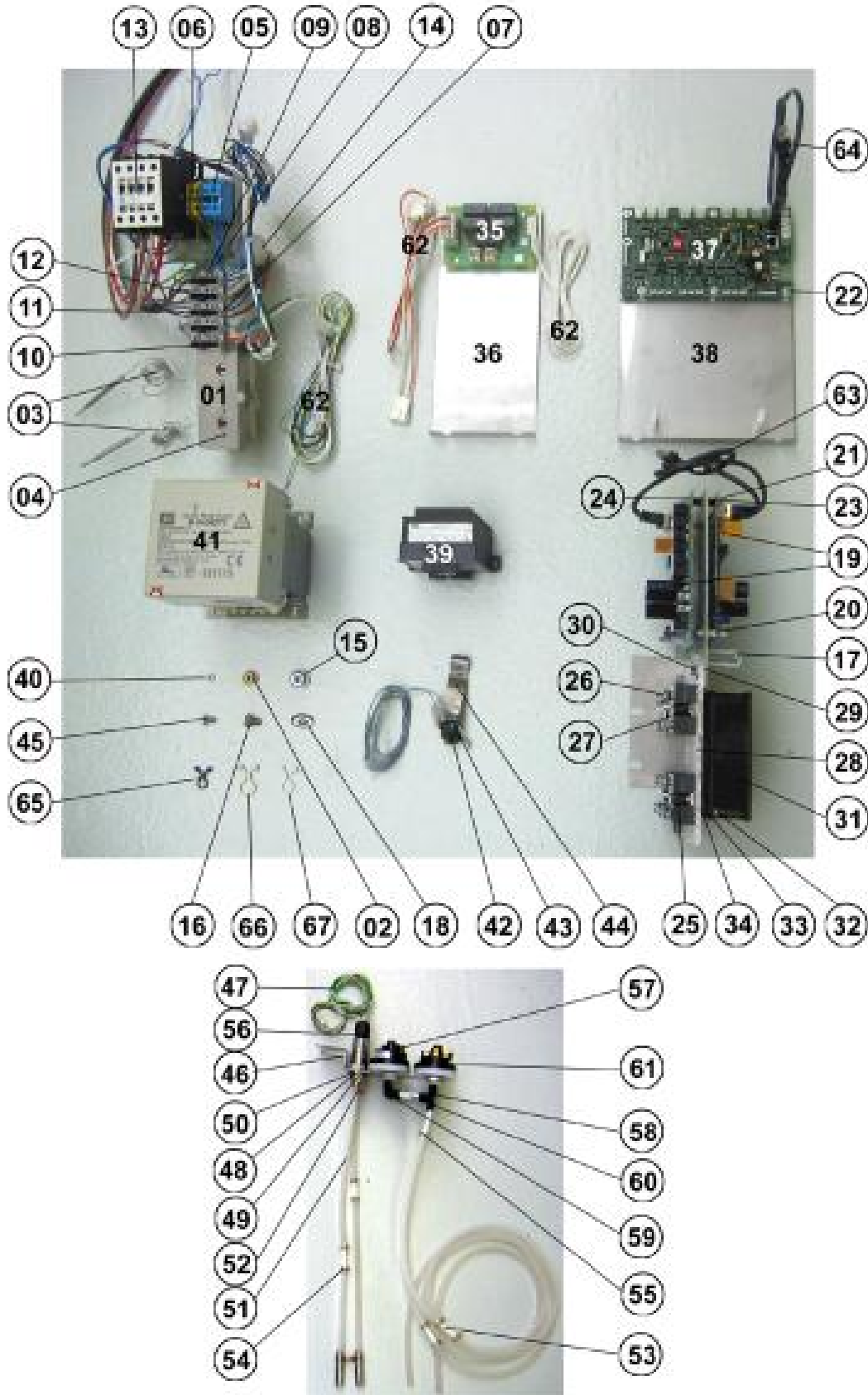
## Electrical installation as of 01/05 upto 01/06



## Electrical installation as of 01/05 upto 01/06

Pos.	Part no.	Description	Qty.
37	42.00.039	Relay-I/O pcb A4	
38	12.00.611	I/O relay pcb A4 holder	
39	40.00.277	Control transformer	
40	1105.0120V	Hex nut M5	
41	40.01.712	Transformer	
42	40.01.709	Micro switch lid position	
43	10.00.617	Hex screw 3X16 St/Zn	
44	12.00.598	Micro switch holder lid position	
45	1006.0762F	Hex screw M6x10	
46	42.00.036	Pressostat holder	
47	40.01.719	Pressure sensor right	
48	50.00.564	Adapter fluting pressure sensor	
49	40.02.014	O-ring NITRILE D16	
50	10.00.423	Washer M12 A2	
51	24.01.232	Silicone hose 6x9	
52	2066.0533V	Hose clamp ø10.1	
53	1900.0203F	Ceramic tube 40mm for	
54	10.00.656	Hose clamp D9.1	
55	2066.0532F	Hose clamp ø11.9	
56	40.01.969	Pressure sensor left	
57	40.00.750	Pressure switch 200mbar	
58	40.00.726	- TE RAPIDE 3X6	
59	40.00.751	- RACCORD INST. COUDE EGAL 4/6	
60	24.00.366	- Teflonschlauch 4/6 HT	
61	40.02.048	Pressure switch 25 mbar	
62	40.01.964	Bundle power supply contactor exit	
62	40.01.965	Main bundle	
62	40.01.975	Heating element safety chain bundle	
62	40.01.976	Heating element safety chain bundle	
62	40.01.980	Pressure safety chain bundle	
62	40.01.962	Cable X1 X46	
62	40.01.954	Cable 112 X14	
62	40.01.914	Cable X24-127	
62	40.01.952	cablE 112 X13-X126	
62	40.01.960	Cable 112P X128	
62	40.01.916	Cable X15	

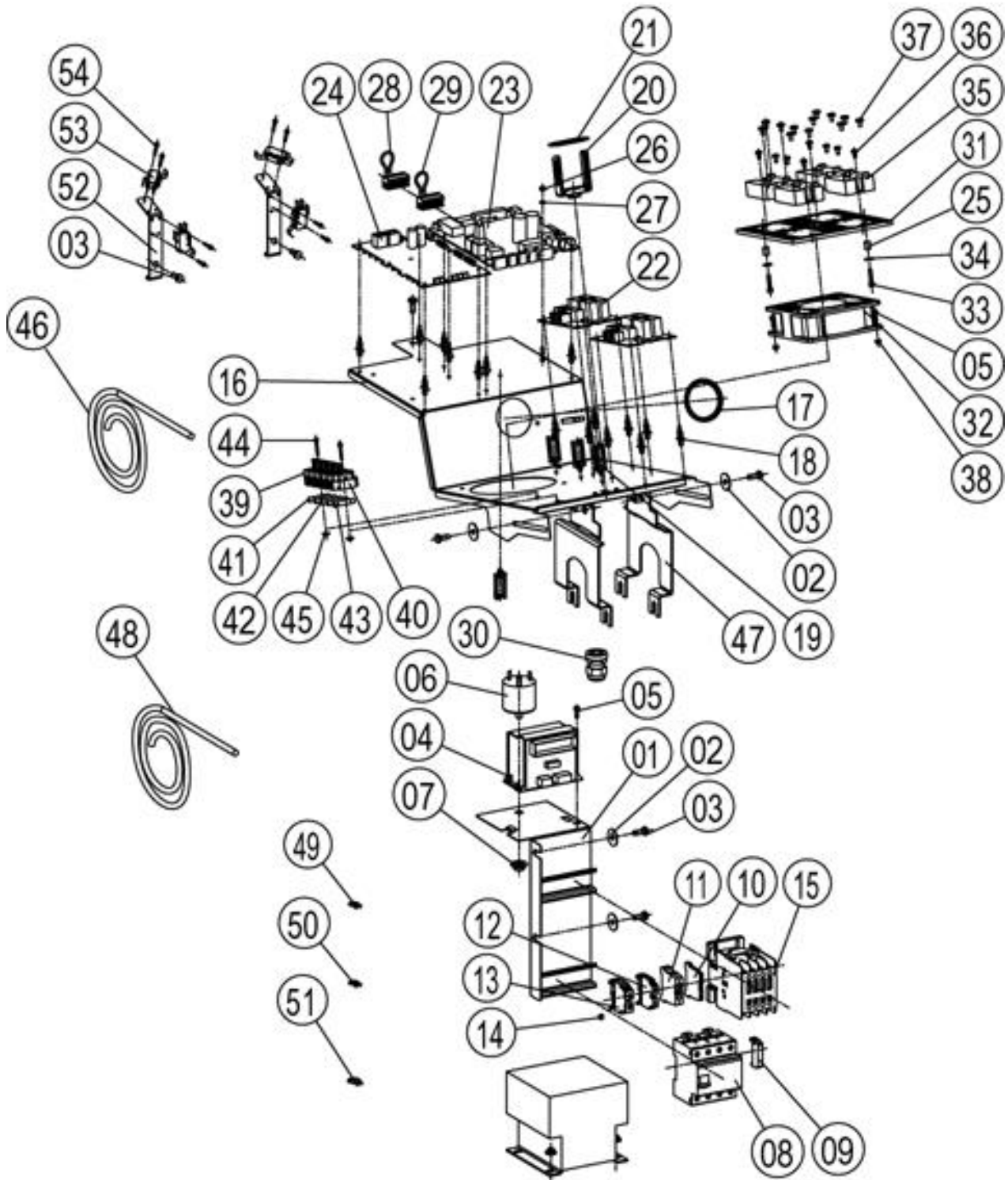
Electrical installation as of 01/05 upto 01/06



## Electrical installation as of 01/05 upto 01/06

Pos.	Part no.	Description	Qty.
62	40.01.913	Cable 112 X25	
62	40.01.908	Cable 112 X19G solenoide valve water	
62	40.01.949	Cable 112 X19D	
62	40.01.901	Cable 112 X117.1	
62	40.01.902	Cable 112 X118.1	
62	40.01.903	Cable 112 X119.1	
62	40.01.904	Cable 112 X120.1	
62	40.01.918	Cable 112 X21	
62	40.01.955	Cable 112 X27	
62	40.01.956	cabl 112 X26 micro-switch lid	
62	40.01.959	Cable 112 X125	
62	40.01.989	Power supply cable 3NAC 400V	
62	40.02.012	Cable X18-solenoide valve NO left	
62	40.02.011	Cable X18-solenoide valve NO right	
63	40.01.091	Bus cable 0.4m	
64	40.00.472	Bus cable 1.3m	
65	10.00.635	Hose clamp d7mm	
66	10.00.472F	Cable clip d13,5-16mm	
67	10.00.471F	Cable clip d10-12mm	

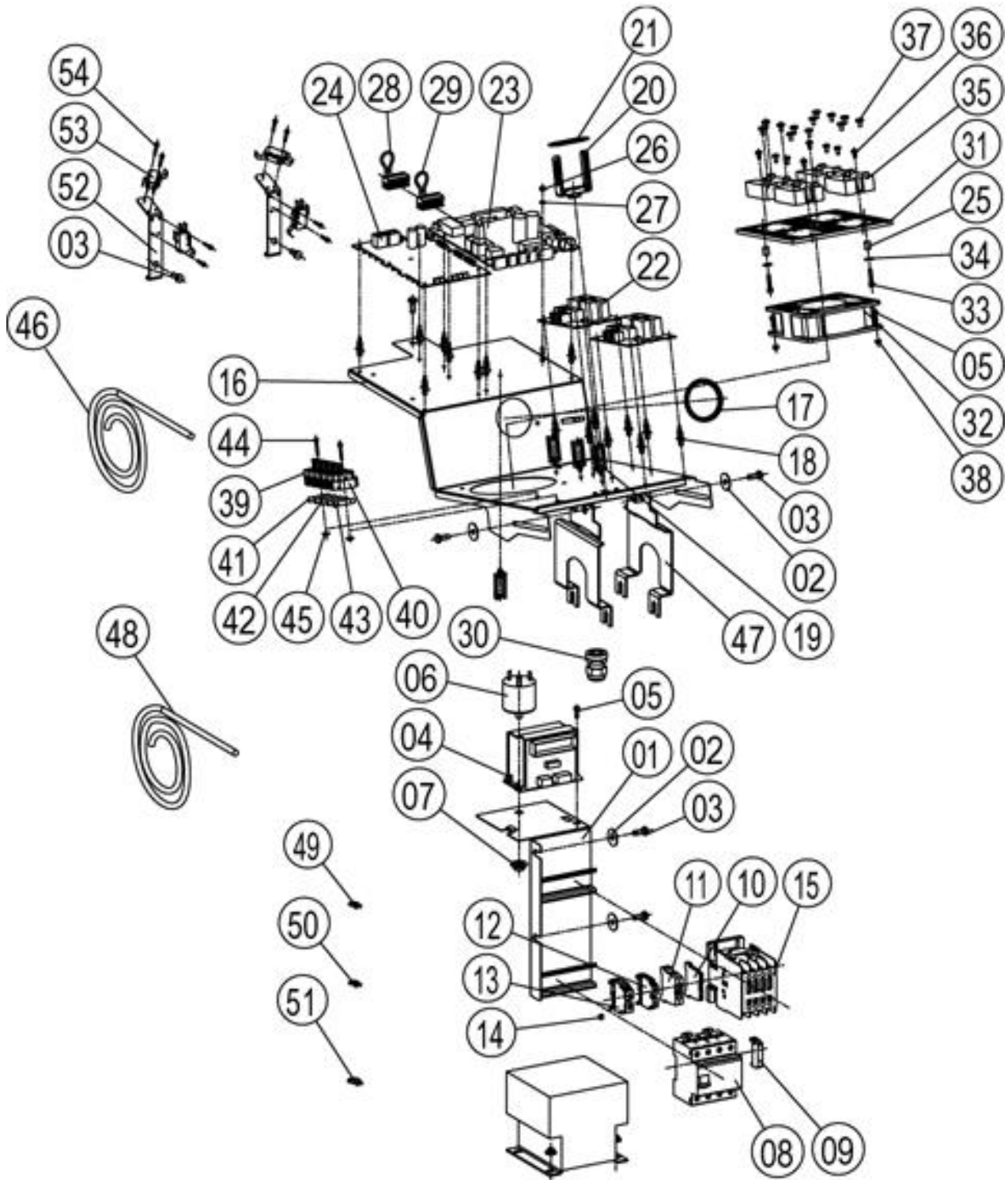
## Electrical installation as of 02/06 up to 11/06



## Electrical installation as of 02/06 up to 11/06

Pos.	Part no.	Description	Qty.
1	12.00.603	Thermostat and fuse holder complete	
2	10.00.186	Washer broad LL6	
3	1006.0760V	Hex screw M6x16	
4	40.00.277	Control transformer	
5	1004.0663V	Allen screw M4x12	
6	40.02.471	Electronic noise filter	
7	10.00.607	Hex combination nut M8	
8	40.01.255	Differential switch	
9	40.00.764	End plate for mounting rail	
10	40.00.826	Terminal block 25qmm blue	
11	40.00.707	Terminal block 6qmm blue	
12	40.00.639	Terminal block 25qmm g/y	
13	40.00.648	- Reihenklemme V/J 4mm <sup>2</sup>	
14	40.02.351	Link f. terminal block BJDP3	
15	40.01.556	Contacteur CL04A310M6-M	
16	40.02.316	Contacteur assembly 112	
17	40.02.318	Grommet Ø30x35x1	
18	40.02.047	Fixing clip white p/1.6mm	
19	10.00.111	Cable clip long	
20	10.00.676	Bundle-clip	
21	10.00.677	Snap on cap f. bundle-clip	
22	42.00.038	Relay pcb (5 Relay)	
23	42.00.055V	Relay-I/O pcb	
24	42.00.039	Relay-I/O pcb A4	
25	40.02.015	Distance nut PA H10 x 4.3 D.8MM	
26	1104.0120V	Hex nut M4	
27	10.00.187	Lock washer AZ 4	
28	40.01.776F	Energy_opt.-terminal *crimp type*	
29	40.00.338	Energy_opt.-terminal *screw typ*	
30	40.00.320	Cable connection M20x1.5	
31	40.01.967	Fixing device for SSR	
32	3101.1008V	Cooling fan	
33	10.00.626	Hex socket head cap screw A2 M4X20	
34	1306.0218V	Washer A4,3	
35	40.01.589	Solid state relais	
36	10.00.444	Raised countersunk head screw Torx M4x8	

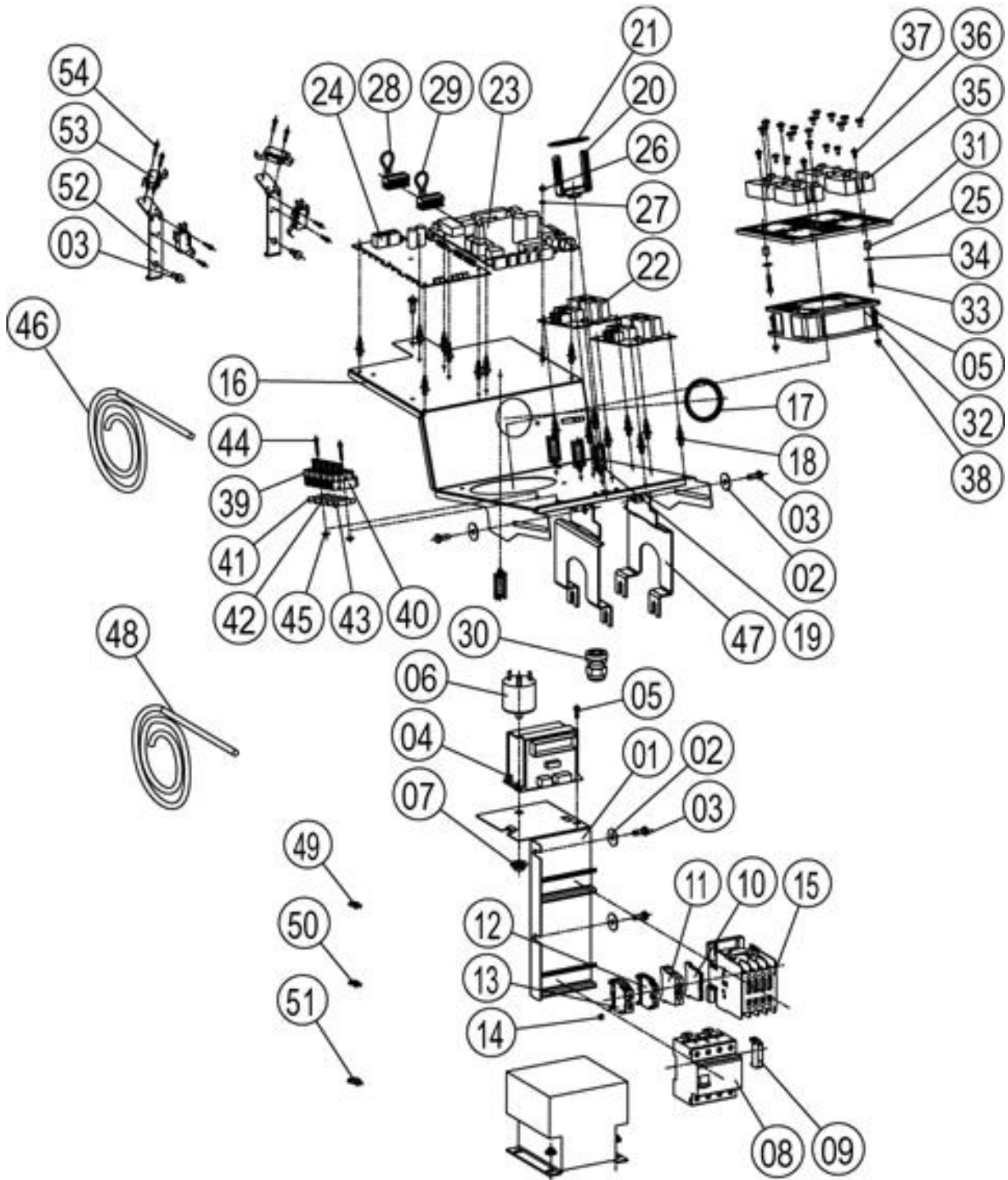
## Electrical installation as of 02/06 up to 11/06



## Electrical installation as of 02/06 up to 11/06

Pos.	Part no.	Description	Qty.
37	10.00.507	Pan head screw Torx 5/16" T20	
38	1104.0121V	Hex nut M4 self locking	
39	4001.1295V	Fuse holder e 1003Si/1DS	
40	40.02.099	Fuse holder 1003SI	
41	4001.0224V	Fuse 6.35x32mm 6,3A slow-blow	
42	40.01.941	Fuse 6.35x32mm 250V 8A	
43	4001.0226V	Fuse 6.35x32mm 16A, time-lag	
44	10.00.611	Hex socket head cap screw A2 M3X20	
45	10.00.632	Hex combination nut M3	
46	40.02.277	Cable X125 112	
46	40.02.279	Cable X13 Left VCC 112P	
46	40.02.148	Cable X13right-X126right 112P	
46	40.02.242	Cable X1 X46 112	
46	40.02.245	Cable X14 112	
46	40.02.282	Cable X18 left 112P	
46	40.02.283	Cable X18 right 112P	
46	40.02.262	Cable X19 left	
46	40.02.276	Cable X26 right 112P	
46	40.02.151	Cable X26 left	
46	40.02.281	Cable safety chain pressure	
46	40.02.313	Power harness K1 output 112	
46	40.02.314	Power harness K1 input 112	
46	40.02.239	Control harness 112	
46	40.02.263	Cable X117.1 112	
46	40.02.264	Cable X118.1 112	
46	40.02.265	Cable X119.1 112	
46	40.02.269	Cable X120.1 112	
46	40.02.357	Cable X24 left 112P	
46	40.02.356	Cable X24 right 112P	
46	40.02.252	Cable X128 left 112P	
46	40.02.150	Cable X128 right 112P	
47	12.00.688	Fixing angle cpl. 112	
48	40.00.471	Bus cable 0.8m	
48	40.01.091	Bus cable 0.4m	
48	40.00.472	Bus cable 1.3m	
49	10.00.635	Hose clamp d7mm	

## Electrical installation as of 02/06 up to 11/06

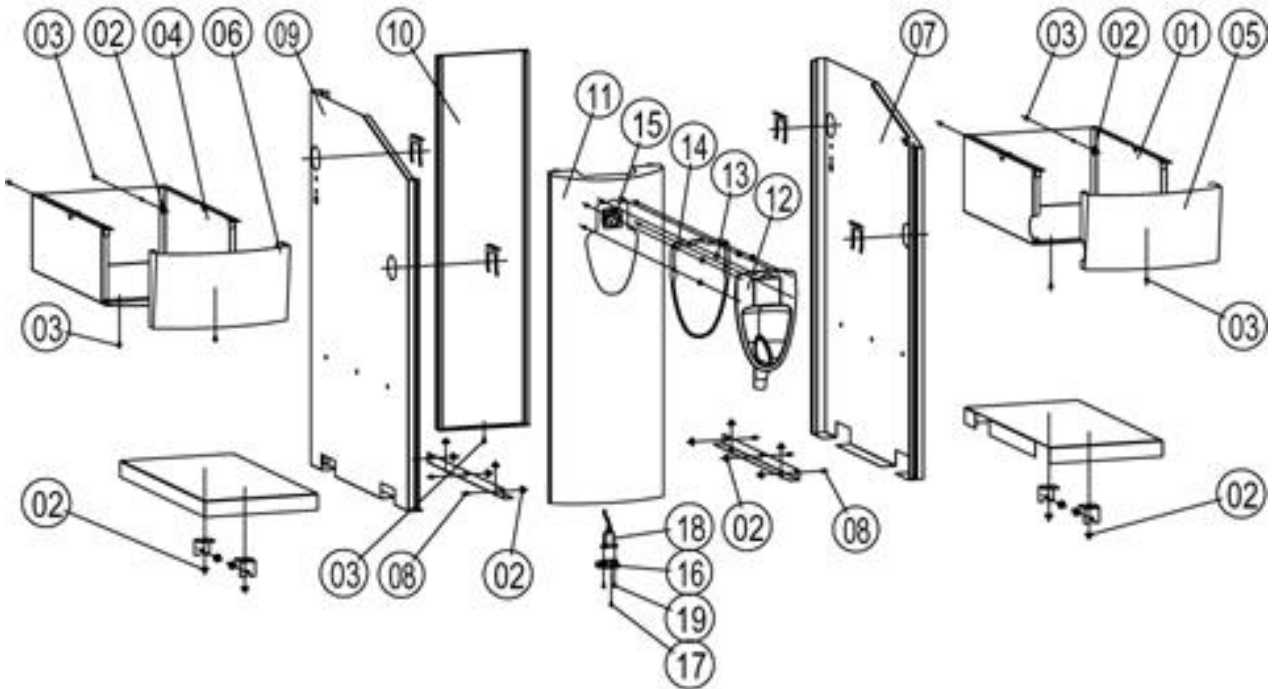


---

## Electrical installation as of 02/06 up to 11/06

Pos.	Part no.	Description	Qty.
50	10.00.472F	Cable clip d13,5-16mm	
51	10.00.471F	Cable clip d10-12mm	
52	12.00.598	Micro switch holder lid position	
53	40.01.709	Micro switch lid position	
54	10.00.144	Socket cap screw M3x16mm	

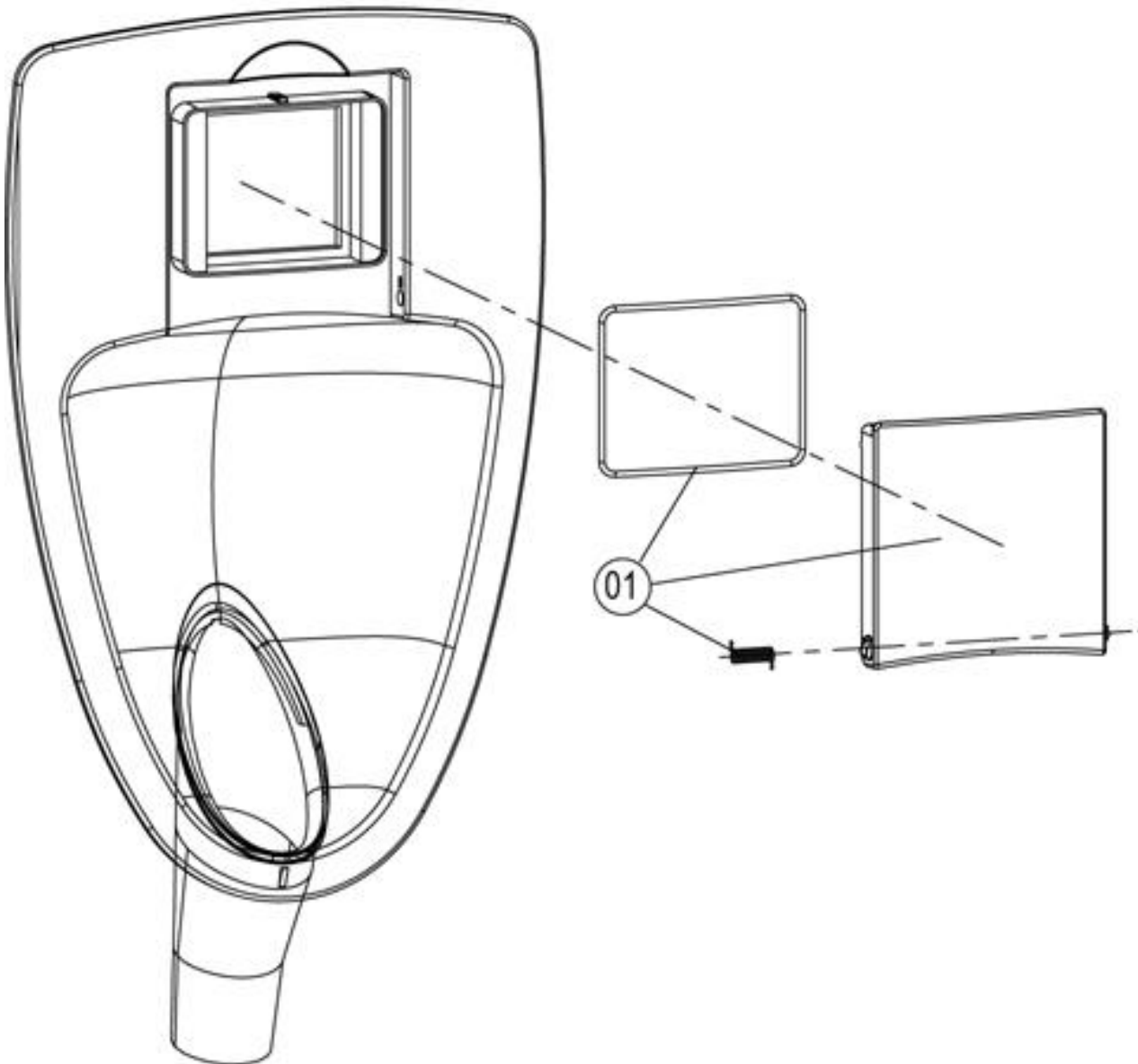
External sheet as of 01/05 upto 01/06



## External sheet as of 01/05 upto 01/06

Pos.	Part no.	Description	Qty.
1	16.00.859	Pan panel for right pan	
2	1106.0803V	Hex combination nut M6 galv	
3	10.00.606	Allen screw M5x8 A2	
4	16.00.848	Pan panel for left pan	
5	16.00.855	Pan right front panel assembly	
6	16.00.856	Pan left front panel assembly	
7	16.01.124	Side panel right conole	
8	10.00.150	Slotted pan head screw M6x12 A2	
9	16.01.123	Side panel left console	
10	16.00.851	Back panel console	
11	16.00.847	Front panel console	
12	87.00.256	Tulip blue for hand shower part n° 87.00.256	
13	1107.0101V	Star lock ø5	
14	16.00.725	Gasket f. Tulip	
15	40.01.410	Socket 2P+T 16A (Germany)	
16	16.00.329	Cover f. USB interface	
17	10.00.103	EJOT PT-screw KA 3.5x10	
18	40.00.470	Interface cable USB 1.5m	
19	10.00.460	EJOT PT-Screw Torx 3,5x14	

Tulip blue for hand shower part n° 87.00.256



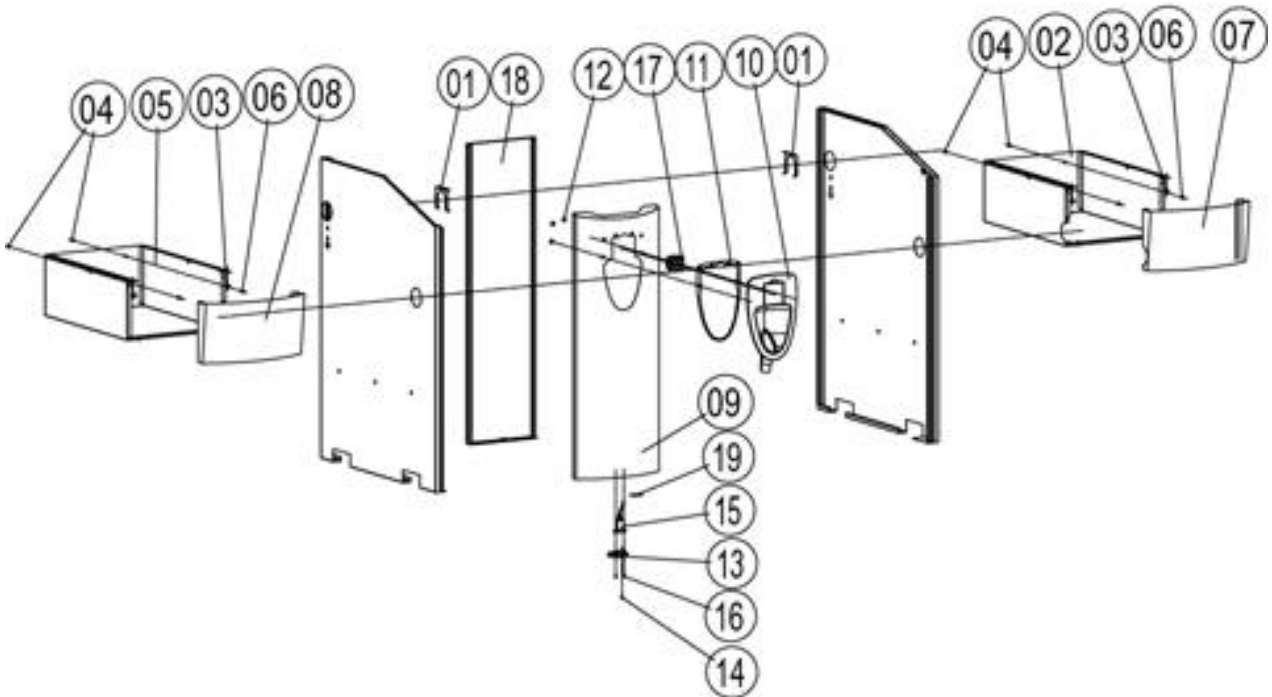
VarioCooking Center 112+E  
E11PA0502

---

## Tulip blue for hand shower part n° 87.00.256

Pos.	Part no.	Description	Qty.
1	87.00.196	Socket cover for tulip blue	

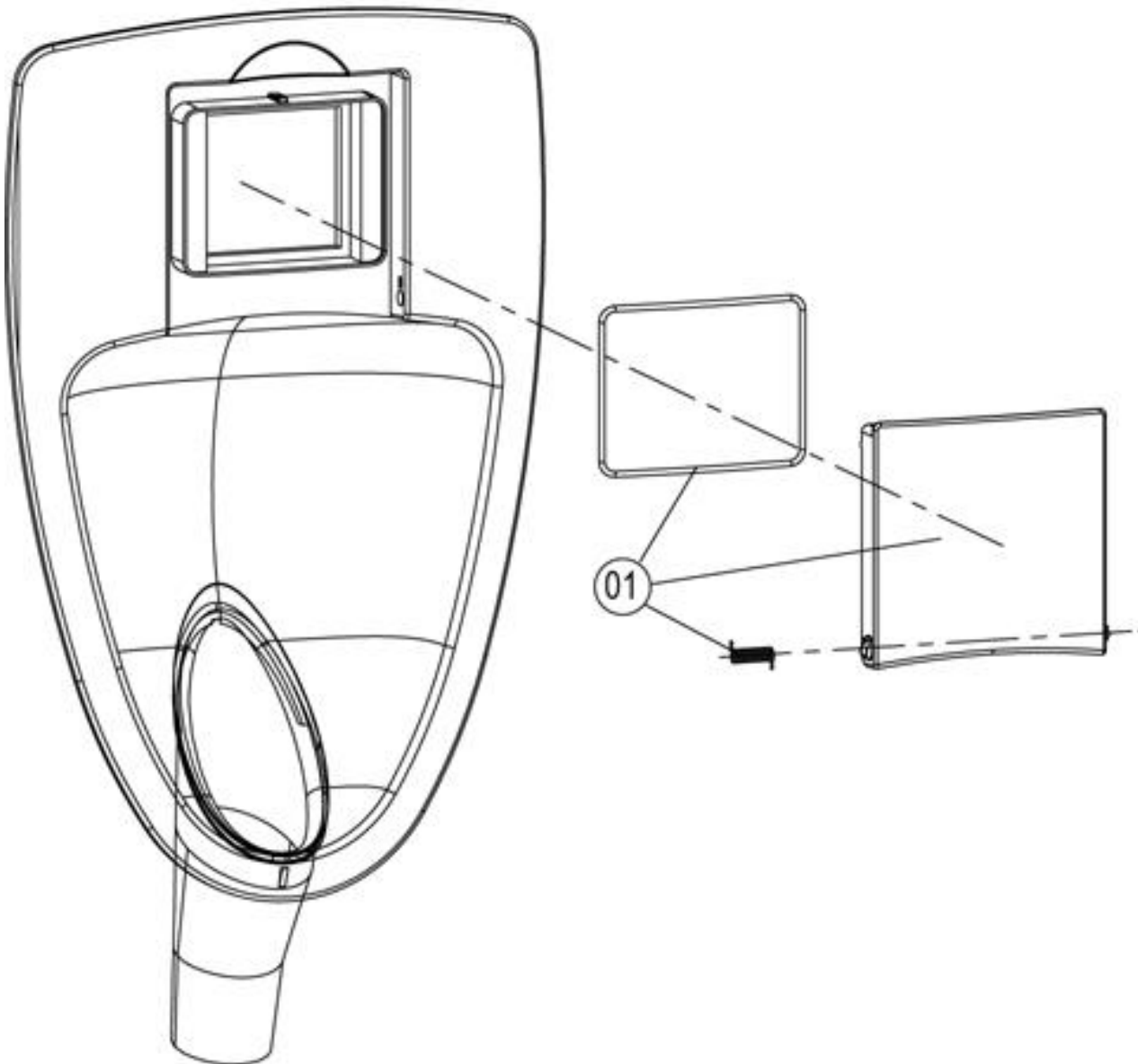
External sheet as of 02/06 up to 11/06



## External sheet as of 02/06 up to 11/06

Pos.	Part no.	Description	Qty.
1	16.01.197	Bracket watertightness L/R frame	
2	16.00.859	Pan panel for right pan	
3	1106.0803V	Hex combination nut M6 galv	
4	10.00.606	Allen screw M5x8 A2	
5	16.00.848	Pan panel for left pan	
6	1105.0400F	Rivet nut M5	
7	16.00.855	Pan right front panel assembly	
8	16.00.856	Pan left front panel assembly	
9	16.00.847	Front panel console	
10	87.00.256	Tulip blue for hand shower part n° 87.00.256	
11	16.00.725	Gasket f. Tulip	
12	1107.0101V	Star lock ø5	
13	16.00.329	Cover f. USB interface	
14	10.00.103	EJOT PT-screw KA 3.5x10	
15	40.00.470	Interface cable USB 1.5m	
16	10.00.460	EJOT PT-Screw Torx 3,5x14	
17	40.01.410	Socket 2P+T 16A (Germany)	
18	16.00.851	Back panel console	
19	40.00.914	Equipotentiality sticker	

Tulip blue for hand shower part n° 87.00.256



VarioCooking Center 112+E  
E11PA0502

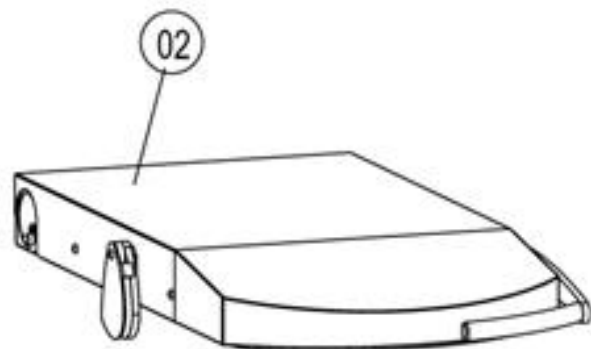
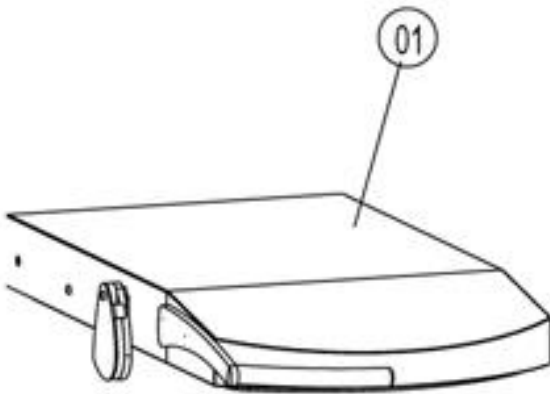


---

**Tulip blue for hand shower part n° 87.00.256**

Pos.	Part no.	Description	Qty.
1	87.00.196	Socket cover for tulip blue	

Lid as of 01/05 upto 01/06



VarioCooking Center 112+E  
E11PA0502

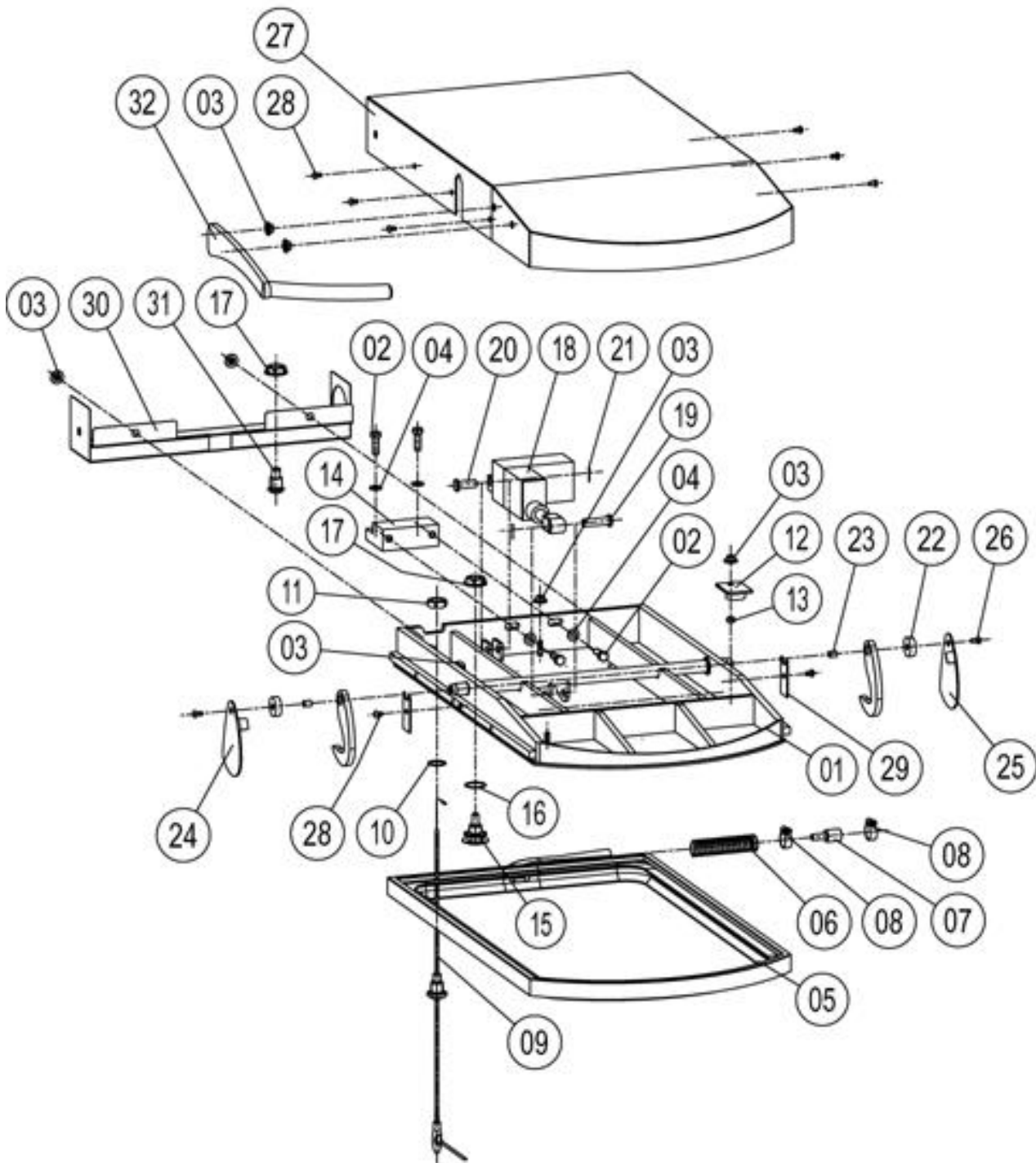


---

## Lid as of 01/05 upto 01/06

Pos.	Part no.	Description	Qty.
1		Lid left	
2		Lid right	

## Lid left



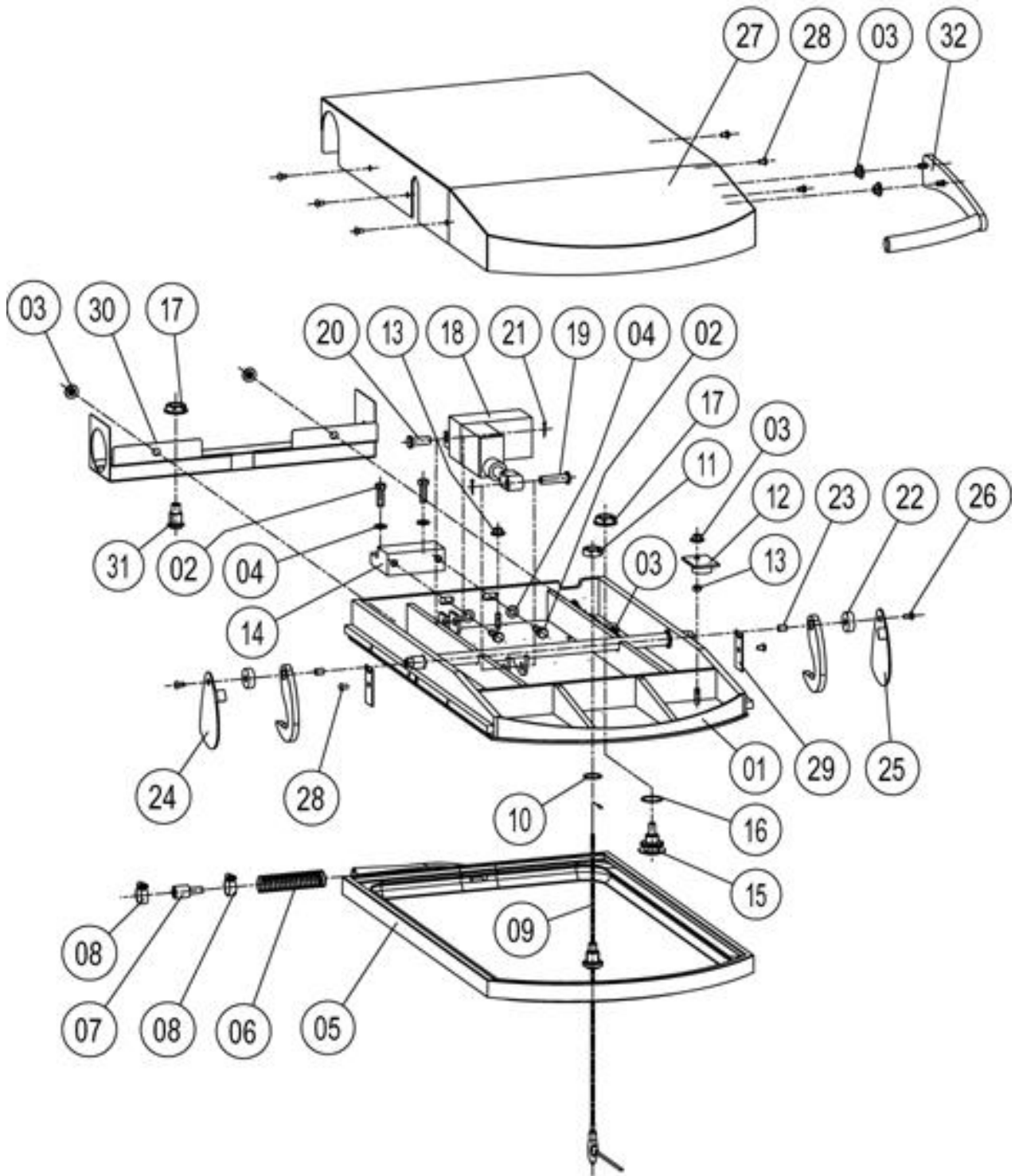
**VarioCooking Center 112+E**  
**E11PA0502**

---

**Lid left**

<b>Pos.</b>	<b>Part no.</b>	<b>Description</b>	<b>Qty.</b>
1	24.01.107	Lid welded, left, pressure 112P	
2	1008.0761V	Hex screw M8x25	
3	1106.0803V	Hex combination nut M6 galv	
4	1308.0160V	Washer A8,4	
5	24.01.153	Lid gasket left	
6	24.01.195	Maintenance arises bends joint lid	
7	24.01.175	Adapter regulation pipe steam	
8	10.00.648	Hose clamp d.20.2	
9	24.01.122	Core temperature probe	
10	20.00.680	O-ring 21x 1.5	
11	10.00.612	Hex nut M16 flat	
12	24.00.769	Magnet for lid (core temperature)	
13	1106.0160F	Hex nut M6	
14	24.01.218	Hinge lid pressure	
15	24.00.766	Lid grille	
16	20.00.879	O-ring 25X1.5 EPDM	
17	10.00.225	Nut 3/8"	
18	40.01.971	Lifting cylinder for lid lock	
19	24.00.765	Shaft front jack of the lid	
20	24.00.767	Shaft back jack of the lid	
21	20.00.480	Split-pin 3.2x22 A2	
22	24.01.211	Ring teflon shaft locking	
23	24.01.210	Distance nut locking hook	
24	24.01.213	Cover hook left	
25	24.01.212	Cover hook right	
26	10.00.610	Allen screw A2 M5X16	
27	24.01.146	Lid cover left welded	
28	10.00.606	Allen screw M5x8 A2	
29	24.01.099	Plate for lid watertightness	
30	24.01.108	Cover back left lid	
31	24.01.089	Pipe water filling	
32	24.01.116	Locking handle left	

# Lid right



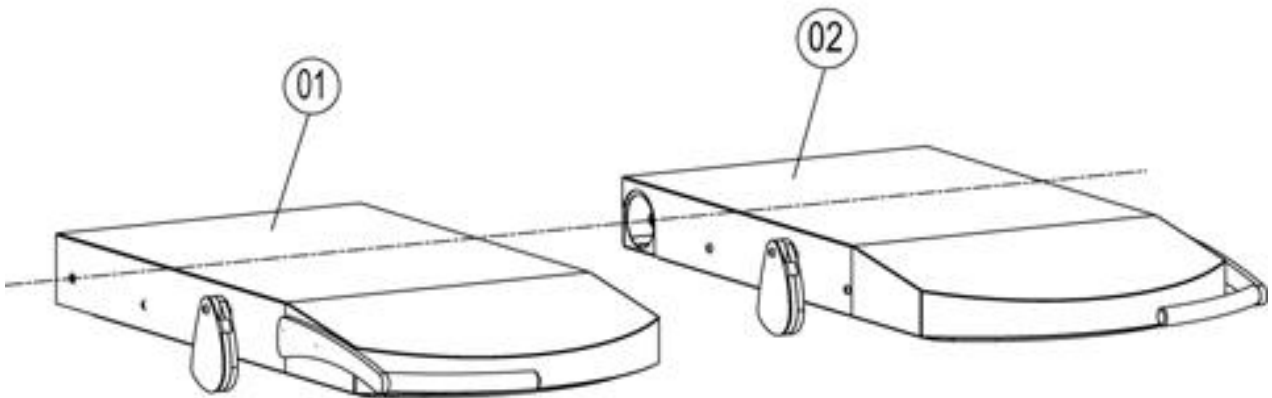
**VarioCooking Center 112+E**  
**E11PA0502**

## Lid right

Pos.	Part no.	Description	Qty.
1	24.01.064	Lid welded	
2	1008.0761V	Hex screw M8x25	
3	1106.0803V	Hex combination nut M6 galv	
4	1308.0160V	Washer A8,4	
5	24.01.151	Lid gasket right	
6	24.01.195	Maintenance arises bends joint lid	
7	24.01.175	Adapter regulation pipe steam	
8	10.00.648	Hose clamp d.20.2	
9	24.01.122	Core temperature probe	
10	20.00.680	O-ring 21x 1.5	
11	10.00.612	Hex nut M16 flat	
12	24.00.769	Magnet for lid (core temperature)	
13	1106.0160F	Hex nut M6	
14	24.01.218	Hinge lid pressure	
15	24.00.766	Lid grille	
16	20.00.879	O-ring 25X1.5 EPDM	
17	10.00.225	Nut 3/8"	
18	40.01.971	Lifting cylinder for lid lock	
19	24.00.765	Shaft front jack of the lid	
20	24.00.767	Shaft back jack of the lid	
21	20.00.480	Split-pin 3.2x22 A2	
22	24.01.211	Ring teflon shaft locking	
23	24.01.210	Distance nut locking hook	
24	24.01.213	Cover hook left	
25	24.01.212	Cover hook right	
26	10.00.610	Allen screw A2 M5X16	
27	24.01.144	Lid cover right welded	
28	10.00.606	Allen screw M5x8 A2	
29	24.01.099	Plate for lid watertightness	
30	24.01.072	Cover back right lid	
31	24.01.089	Pipe water filling	
32	24.01.084	Lid handle right	

---

**Lid as of 02/06 up to 11/06**



VarioCooking Center 112+E  
E11PA0502

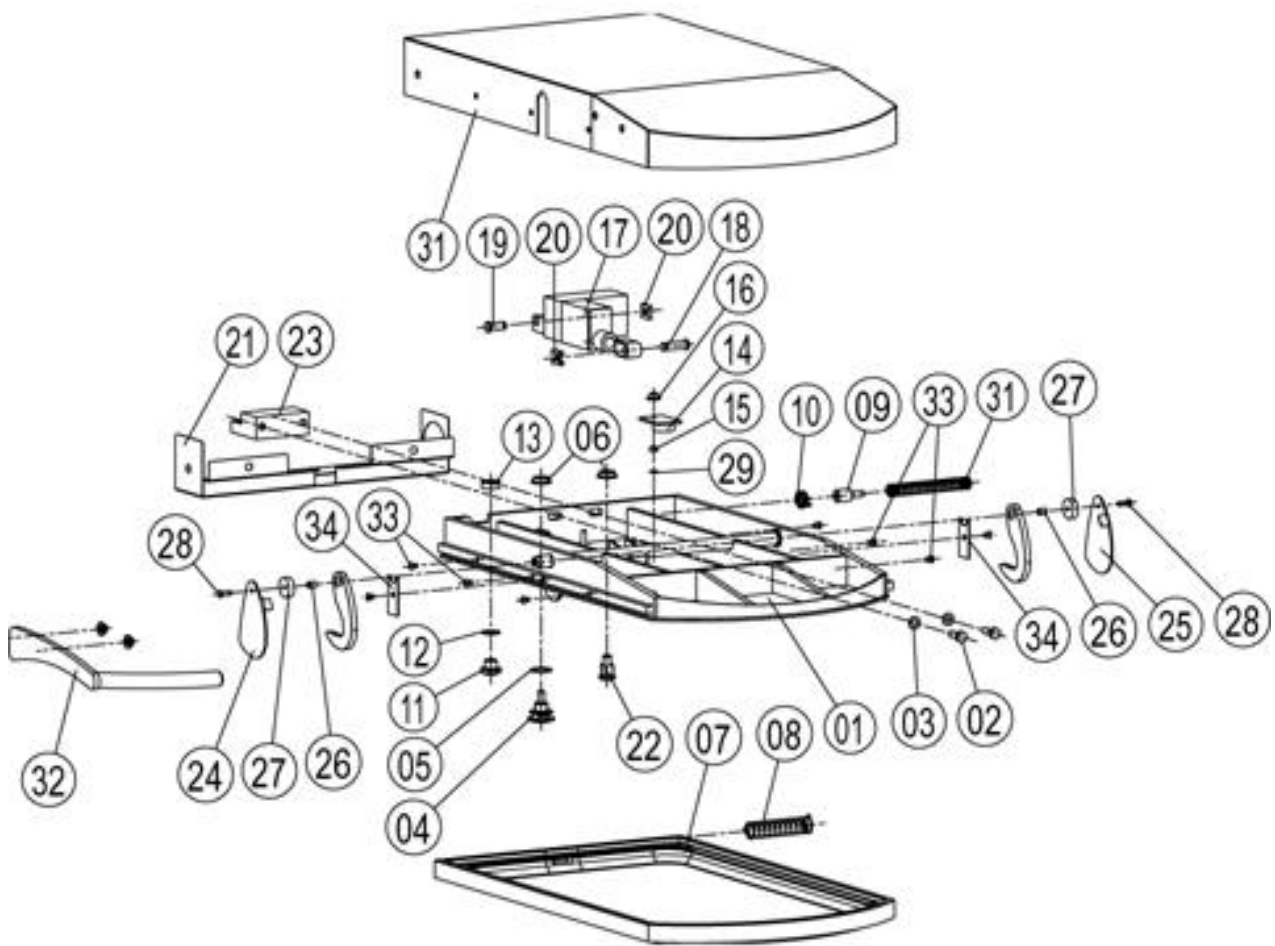


---

## Lid as of 02/06 up to 11/06

Pos.	Part no.	Description	Qty.
1		Lid left	
2		Lid right	

## Lid left



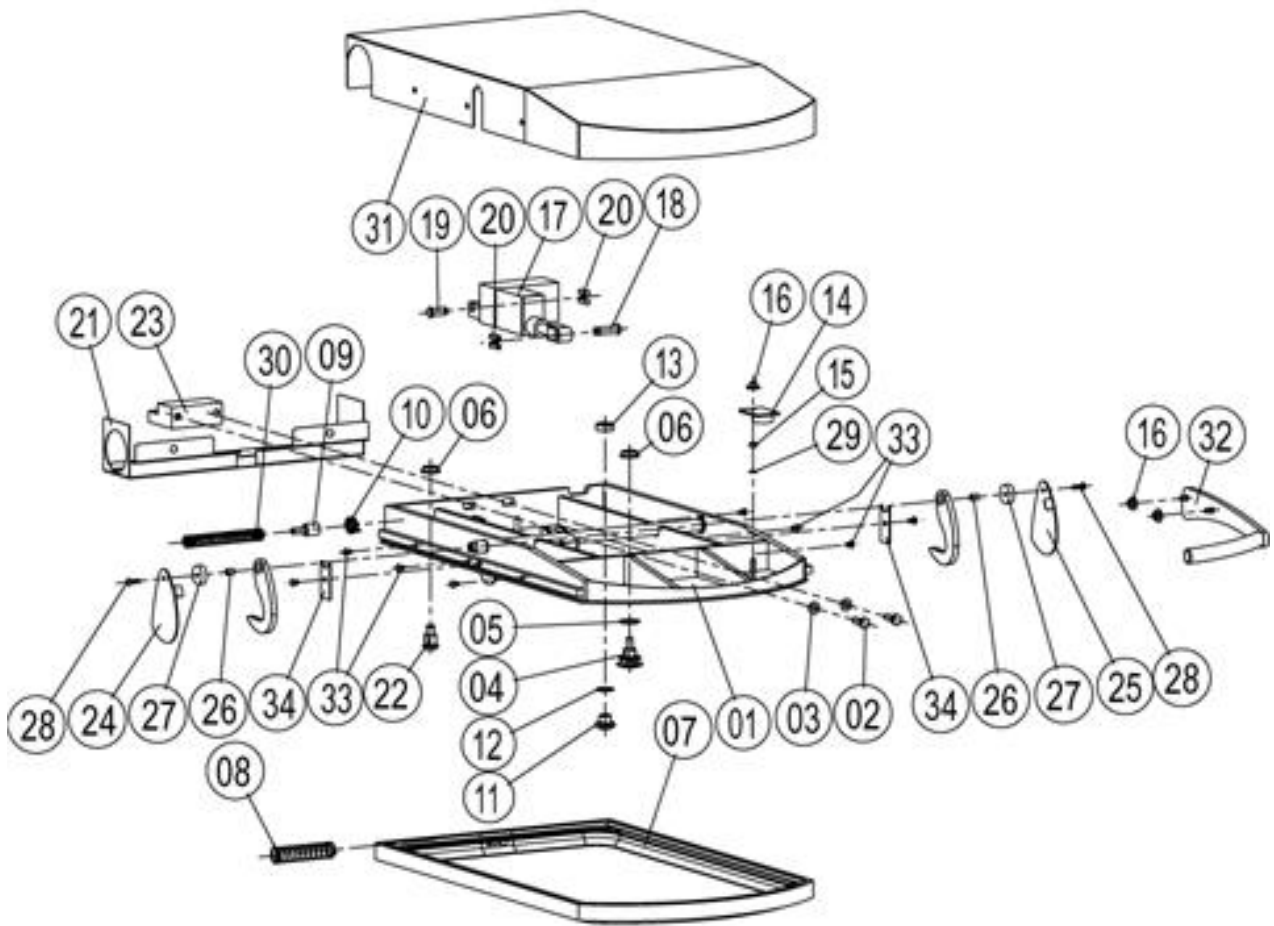
# VarioCooking Center 112+E

## E11PA0502

### Lid left

Pos.	Part no.	Description	Qty.
1	24.01.107	Lid welded, left, pressure 112P	
2	1008.0761V	Hex screw M8x25	
3	1308.0160V	Washer A8,4	
4	24.00.766	Lid grille	
5	20.00.879	O-ring 25X1.5 EPDM	
6	10.00.225	Nut 3/8"	
7	24.01.153	Lid gasket left	
8	24.01.195	Maintenance arises bends joint lid	
9	24.01.175	Adapter regulation pipe steam	
10	10.00.648	Hose clamp d.20.2	
11	24.01.300	Meat probe sensor	
12	20.00.680	O-ring 21x 1.5	
13	10.00.612	Hex nut M16 flat	
14	24.00.769	Magnet for lid (core temperature)	
15	1106.0160F	Hex nut M6	
16	1106.0803V	Hex combination nut M6 galv	
17	40.02.360	Cylinder for the lid lock	
18	24.00.765	Shaft front jack of the lid	
19	24.00.767	Shaft back jack of the lid	
20	10.00.748	Circlip f. bolt Ø10	
21	24.01.108	Cover back left lid	
22	24.01.089	Pipe water filling	
23	24.01.218	Hinge lid pressure	
24	24.01.213	Cover hook left	
25	24.01.212	Cover hook right	
26	24.01.210	Distance nut locking hook	
27	24.01.211	Ring teflon shaft locking	
28	10.00.610	Allen screw A2 M5X16	
29	10.00.189	Tooth lock washer A4 AZ6	
30	50.00.617	Spring f. hose, water filling	
31	24.01.146	Lid cover left welded	
32	24.01.116	Locking handle left	
33	10.00.606	Allen screw M5x8 A2	
34	24.01.099	Plate for lid watertightness	

## Lid right

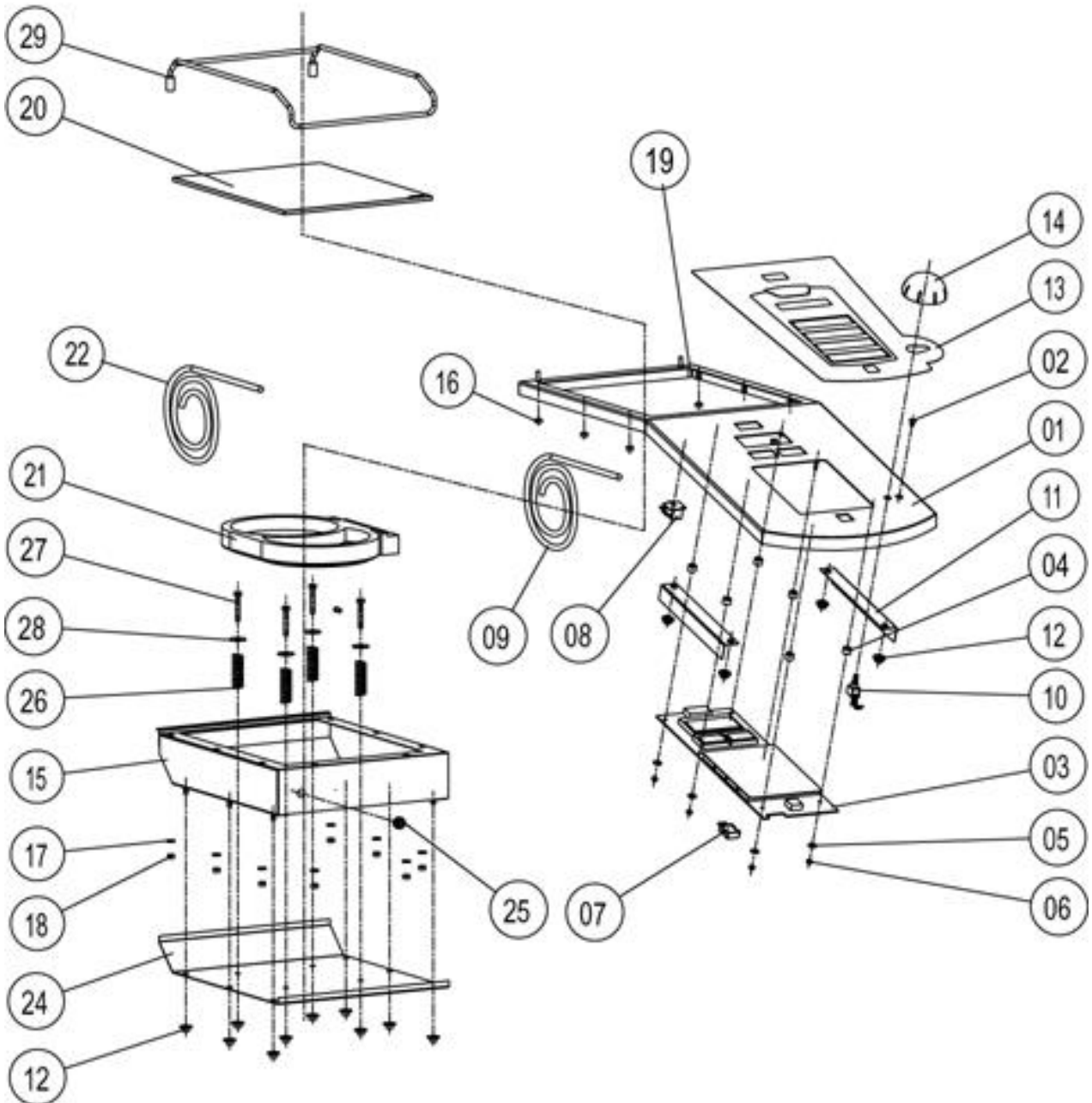


**VarioCooking Center 112+E**  
**E11PA0502**

## Lid right

Pos.	Part no.	Description	Qty.
1	24.01.064	Lid welded	
2	1008.0761V	Hex screw M8x25	
3	1308.0160V	Washer A8,4	
4	24.00.766	Lid grille	
5	20.00.879	O-ring 25X1.5 EPDM	
6	10.00.225	Nut 3/8"	
7	24.01.151	Lid gasket right	
8	24.01.195	Maintenance arises bends joint lid	
9	24.01.175	Adapter regulation pipe steam	
10	10.00.648	Hose clamp d.20.2	
11	24.01.300	Meat probe sensor	
12	20.00.680	O-ring 21x 1.5	
13	10.00.612	Hex nut M16 flat	
14	24.00.769	Magnet for lid (core temperature)	
15	1106.0160F	Hex nut M6	
16	1106.0803V	Hex combination nut M6 galv	
17	40.02.360	Cylinder for the lid lock	
18	24.00.765	Shaft front jack of the lid	
19	24.00.767	Shaft back jack of the lid	
20	10.00.748	Circlip f. bolt Ø10	
21	24.01.072	Cover back right lid	
22	24.01.089	Pipe water filling	
23	24.01.218	Hinge lid pressure	
24	24.01.213	Cover hook left	
25	24.01.212	Cover hook right	
26	24.01.210	Distance nut locking hook	
27	24.01.211	Ring teflon shaft locking	
28	10.00.610	Allen screw A2 M5X16	
29	10.00.189	Tooth lock washer A4 AZ6	
30	50.00.617	Spring f. hose, water filling	
31	24.01.144	Lid cover right welded	
32	24.01.084	Lid handle right	
33	10.00.606	Allen screw M5x8 A2	
34	24.01.099	Plate for lid watertightness	

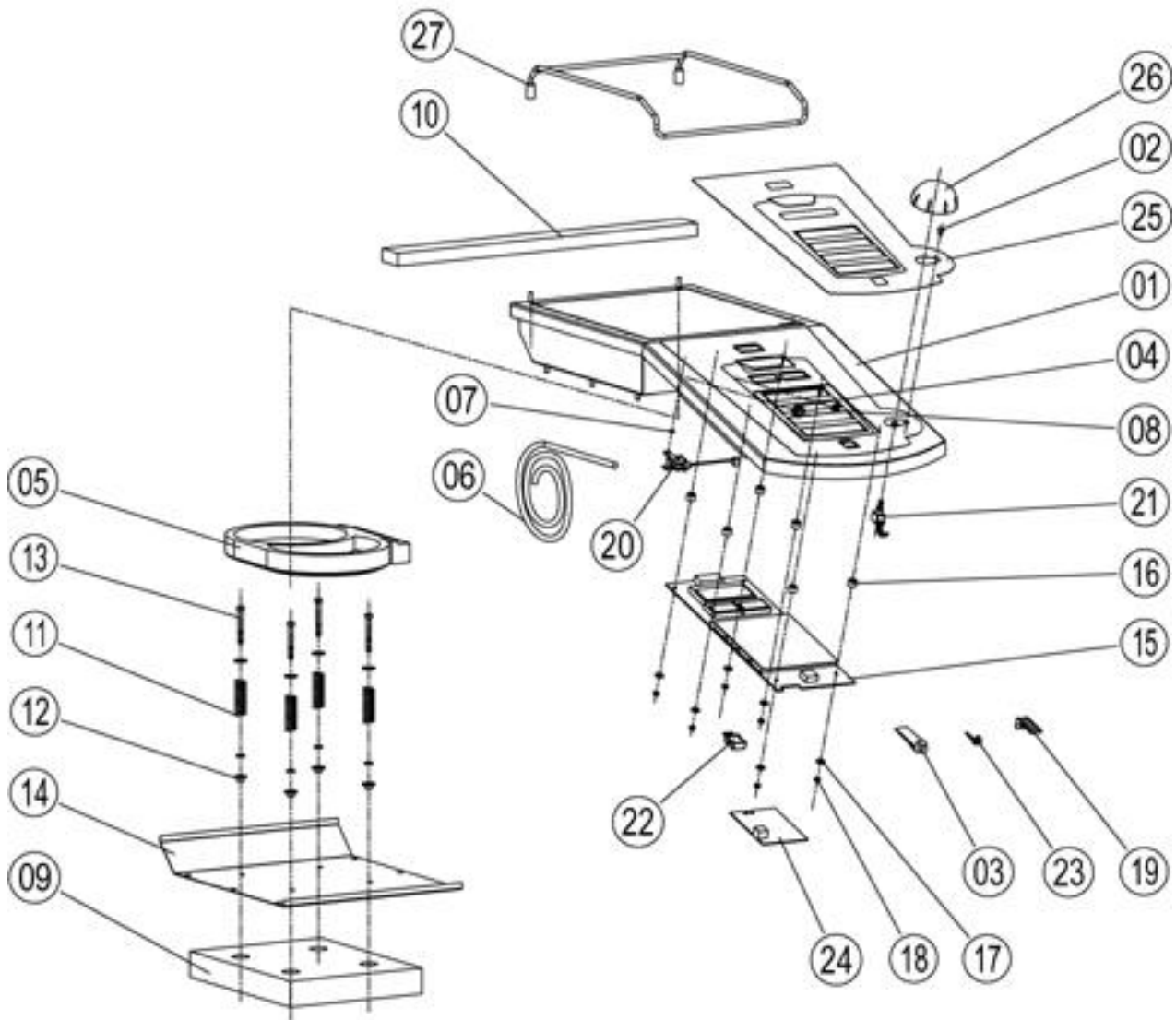
### Control panel as of 01/05 up to 03/06



## Control panel as of 01/05 up to 03/06

Pos.	Part no.	Description	Qty.
1	87.00.162	Control panel Vitro with overlay RAT	
2	10.00.606	Allen screw M5x8 A2	
3	42.00.002V	Control pcb	
4	40.01.996	Distance bush PA d12/5x7.2	
5	1306.0218V	Washer A4,3	
6	1104.0121V	Hex nut M4 self locking	
7	87.00.165	External memory flashed	
8	3006.0107F	Buzzer	
9	87.00.136F	Conversion kit buzzer	
10	87.00.622	Pulse generator with gasket	
11	16.00.845	Holding bracket front panel	
12	1106.0803V	Hex combination nut M6 galv	
13	16.01.169	Overlay VCC/E *Rational* 112-311	
14	16.00.232	Dial f. pulse generator blue	
15	16.01.126	Isolation cover for Vitro	
16	1106.0160F	Hex nut M6	
17	10.00.189	Tooth lock washer A4 AZ6	
18	10.00.179	Washer M6 A2	
19	24.00.376	Silicone adhesive caf 33	
20	16.00.934	Glass for Vitro	
21	40.01.612	Heating element f. vitro	
22	40.01.966	Bundle 4 cable Vitro	
23	16.00.932	Isolation heating element Vitro	
24	16.00.844	Bottom plate f. isolation cover Vitro	
25	40.00.852	Grommet ø9.5	
26	74.00.386	Compression spring Vitro 1.8X16X52	
27	10.00.596	Hex screw M6x50 A2	
28	10.00.186	Washer broad LL6	
29	60.70.618	Safety loop Vitro	

Control panel as of 04/06 up to 11/06

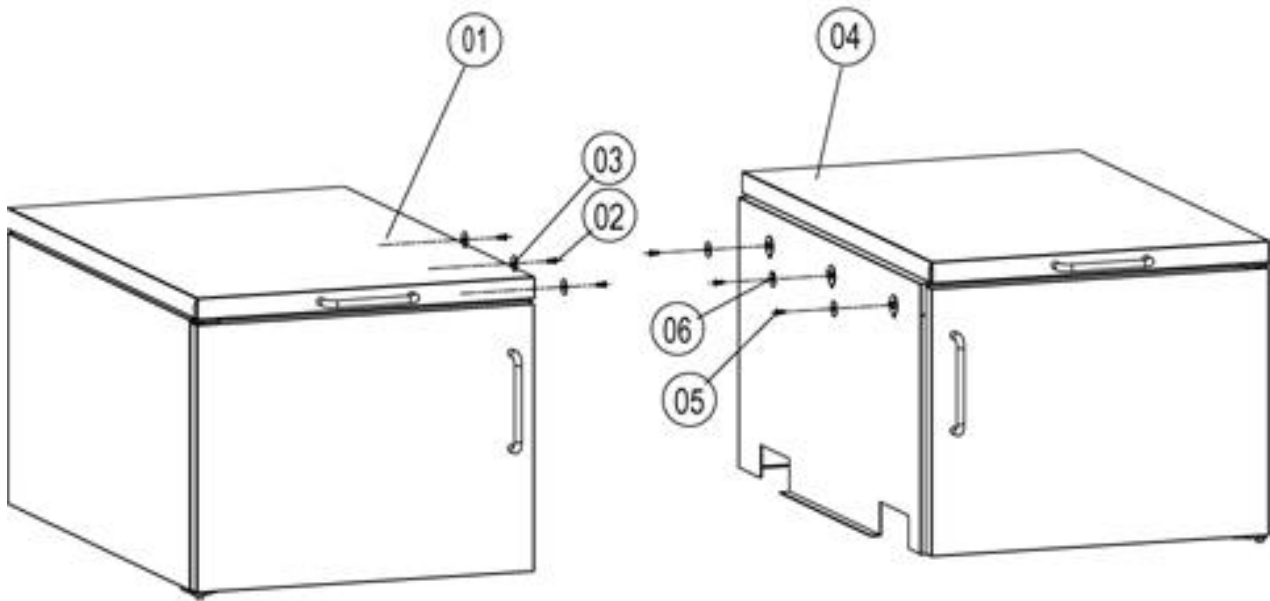


**VarioCooking Center 112+E**  
**E11PA0502**

**Control panel as of 04/06 up to 11/06**

Pos.	Part no.	Description	Qty.
1	87.00.162	Control panel Vitro with overlay RAT	
2	10.00.610	Allen screw A2 M5X16	
3	24.00.376	Silicone adhesive caf 33	
4	40.00.852	Grommet ø9.5	
5	40.01.612	Heating element f. vitro	
6	40.02.280	Power harness Vitro	
7	10.00.189	Tooth lock washer A4 AZ6	
8	1106.0160F	Hex nut M6	
9	16.01.187	Isolation front panel Vitro	
10	16.01.189	Isolation perforated front panel Vitro	
11	74.00.386	Compression spring Vitro 1.8X16X52	
12	1106.0803V	Hex combination nut M6 galv	
13	10.00.596	Hex screw M6x50 A2	
14	16.00.844	Bottom plate f. isolation cover Vitro	
15	42.00.002V	Control pcb	
16	40.01.996	Distance bush PA d12/5x7.2	
17	1306.0218V	Washer A4,3	
18	1104.0121V	Hex nut M4 self locking	
19	2020.0400V	Fixing device for cable harness	
20	40.02.087	Buzzer	
21	87.00.622	Pulse generator with gasket	
22	87.00.165	External memory flashed	
23	40.00.847	Tie rap 2.4X140	
24	42.00.006	Network interface Ethernet	
25	16.01.169	Overlay VCC/E *Rational* 112-311	
26	16.00.232	Dial f. pulse generator blue	
27	60.70.618	Safety loop Vitro	

**Option Storage case as of 01/05 upto 01/06**

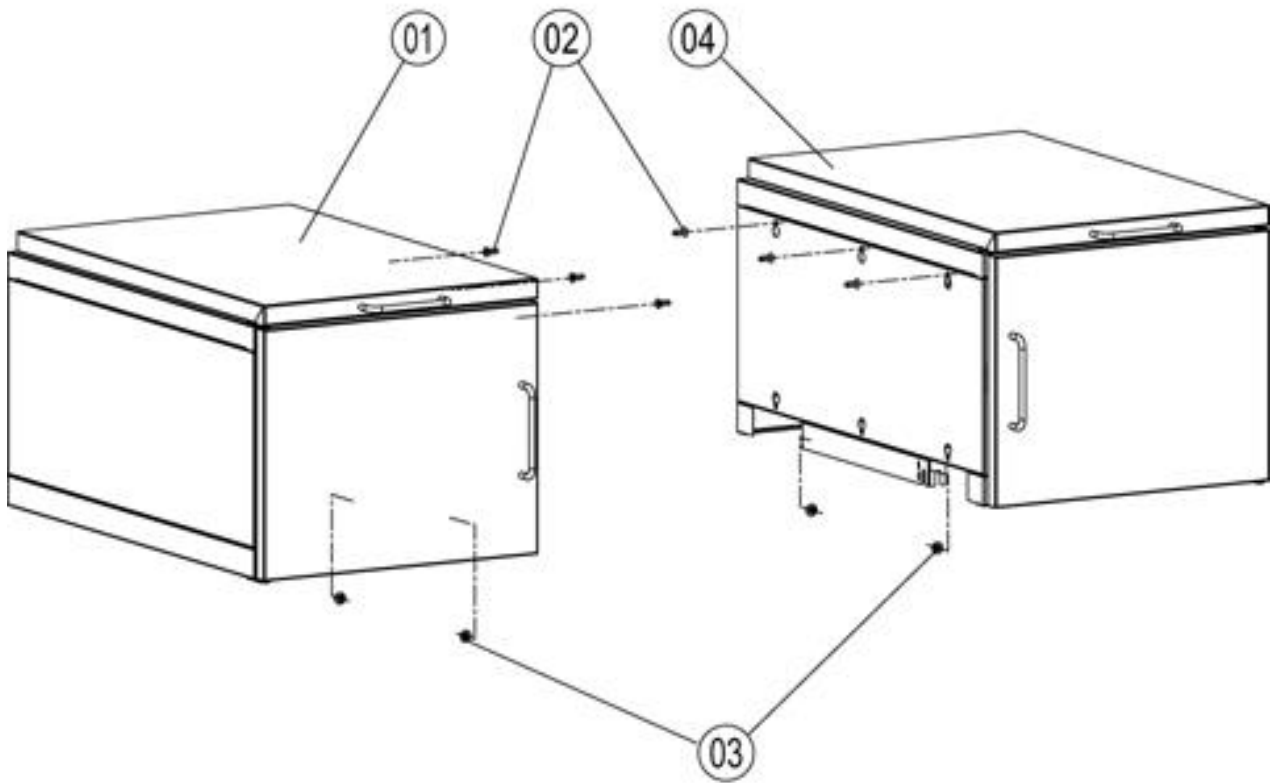


---

## Option Storage case as of 01/05 upto 01/06

Pos.	Part no.	Description	Qty.
1	16.00.933	Storage case left complete	
2	10.00.150	Slotted pan head screw M6x12 A2	
3	10.00.186	Washer broad LL6	
4	16.01.107	Storage case right complete	
5	10.00.150	Slotted pan head screw M6x12 A2	
6	10.00.186	Washer broad LL6	

Option Storage case as of 02/06 up to 11/06



---

## Option Storage case as of 02/06 up to 11/06

Pos.	Part no.	Description	Qty.
1	16.01.251	Storage case right with door	
2	10.00.756	Hex socket countersunk head screw M6x16	
3	1105.0121V	Hex combination nut M5 galv	
4	16.01.230	Storage case left with door	

## Index

<b>Part no.</b>	<b>Description</b>	<b>Page</b>
20.00.986	.....	7
16.00.402	"Elbow fitting to crimp 3/4"" D12" .....	35
50.00.600	"Elbow fitting to crimp M3/4"" D13" .....	35
50.00.562	"Plug brass F 1/2"" .....	35
50.00.494	"Reducing nipple M1/2"" F3/8"" .....	39
40.00.751	- RACCORD INST. COUDE EGAL 4/6 .....	49
40.00.648	- Reihenklemme V/J 4mm2 .....	53
40.00.726	- TE RAPIDE 3X6 .....	49
24.00.366	- Teflonschlauch 4/6 HT .....	49
12.00.600	5 relay pcb holder .....	47
20.01.031	Actuation for pan valve .....	31
20.01.027	Actuation for pan valve cpl. ....	25, 31
50.00.564	Adapter fluting pressure sensor .....	49
24.01.175	Adapter regulation pipe steam .....	69, 71, 75, 77
10.00.598	Allen screw A2 M5X8 TF .....	17
10.00.610	Allen screw A2 M5X16 .....	69, 71, 75, 77, 81
1004.0663V	Allen screw M4x12 .....	23, 25, 31, 53
10.00.606	Allen screw M5x8 A2 .....	59, 63, 69, 71, 75, 77, 79
1005.0663V	Allen screw M5x10 .....	17, 25, 31
1006.0626F	Allen screw M6x30 .....	7
24.00.794	Arm raising lid .....	15
20.00.684	Arm raising pan .....	7
24.01.299	Axle sleeve VCC 112 .....	15
16.00.851	Back panel console .....	59, 63
20.00.989	Bearing coupling for cable .....	23
20.00.688	Bearing raising arm .....	7
24.01.208	Bearing shaft lid .....	15
24.01.209	Bearing shaft lid central complete .....	15
24.01.221	Bearing shaft pan inside left .....	5, 11
20.00.687	Bearing shaft pan L/R .....	7
20.00.844	Bearing shaft pan left .....	7

## Index

<b>Part no.</b>	<b>Description</b>	<b>Page</b>
40.02.335	Bimetal switch 110° .....	25
10.00.613	Bolt M8x8 A2 .....	7
16.00.844	Bottom plate f. isolation cover Vitro .....	79, 81
20.01.092	Bowden cable .....	31
20.00.915	Bowden cable for pan valve .....	17, 25
16.01.197	Bracket watertightness L/R frame .....	63
40.01.966	Bundle 4 cable Vitro .....	79
40.01.964	Bundle power supply contactor exit .....	49
10.00.676	Bundle-clip .....	53
40.01.091	Bus cable 0.4m .....	51, 55
40.00.471	Bus cable 0.8m .....	55
40.00.472	Bus cable 1.3m .....	51, 55
54.00.581	Bushing PP D40/D30-32 .....	43
3006.0107F	Buzzer .....	79
40.02.087	Buzzer .....	81
40.01.949	Cable 112 X19D .....	51
40.01.908	Cable 112 X19G solenoide valve water .....	51
40.01.913	Cable 112 X25 .....	51
40.01.902	Cable 112 X118.1 .....	51
40.01.903	Cable 112 X119.1 .....	51
40.01.916	Cable X15 .....	49
40.02.356	Cable X24 right 112P .....	55
40.01.954	Cable 112 X14 .....	49
40.01.952	cabl 112 X13-X126 .....	49
40.01.918	Cable 112 X21 .....	51
40.01.956	cabl 112 X26 micro-switch lid .....	51
40.01.955	Cable 112 X27 .....	51
40.01.901	Cable 112 X117.1 .....	51
40.01.904	Cable 112 X120.1 .....	51
40.01.959	Cable 112 X125 .....	51
40.01.960	Cable 112P X128 .....	49
10.00.471F	Cable clip d10-12mm .....	51, 57

## Index

<b>Part no.</b>	<b>Description</b>	<b>Page</b>
10.00.472F	Cable clip d13,5-16mm .....	51, 57
10.00.111	Cable clip long .....	5, 11, 47, 53
10.00.420	Cable clip middle .....	5
40.00.320	Cable connection M20x1.5 .....	53
46.00.100	Cable control harness heating, left .....	17
46.00.103	Cable control harness heating, right .....	19
40.02.281	Cable safety chain pressure .....	55
40.01.962	Cable X1 X46 .....	49
40.02.242	Cable X1 X46 112 .....	55
40.02.279	Cable X13 Left VCC 112P .....	55
40.02.148	Cable X13right-X126right 112P .....	55
40.02.245	Cable X14 112 .....	55
40.02.282	Cable X18 left 112P .....	55
40.02.283	Cable X18 right 112P .....	55
40.02.012	Cable X18-solenoid valve NO left .....	51
40.02.011	Cable X18-solenoid valve NO right .....	51
40.02.262	Cable X19 left .....	55
40.02.357	Cable X24 left 112P .....	55
40.01.914	Cable X24-127 .....	49
40.02.151	Cable X26 left .....	55
40.02.276	Cable X26 right 112P .....	55
40.02.263	Cable X117.1 112 .....	55
40.02.264	Cable X118.1 112 .....	55
40.02.265	Cable X119.1 112 .....	55
40.02.269	Cable X120.1 112 .....	55
40.02.277	Cable X125 112 .....	55
40.02.252	Cable X128 left 112P .....	55
40.02.150	Cable X128 right 112P .....	55
24.00.791	Cap of shaft lid .....	11
1900.0203F	Ceramic tube 40mm for .....	45, 49
12.00.624	Chassis .....	11
10.00.748	Circlip f. bolt Ø10 .....	75, 77

## Index

<b>Part no.</b>	<b>Description</b>	<b>Page</b>
50.00.156	Clamp f. hand shower roll guide .....	35, 37
20.01.033	Collar .....	13, 15
74.00.386	Compression spring Vitro 1.8X16X52 .....	79, 81
40.02.316	Contacto assembly 112 .....	53
40.01.556	Contacto CL04A310M6-M .....	47, 53
40.02.239	Control harness 112 .....	55
87.00.162	Control panel Vitro with overlay RAT .....	79, 81
42.00.002V	Control pcb .....	79, 81
40.00.277	Control transformer .....	49, 53
87.00.136F	Conversion kit buzzer .....	79
3101.1008V	Cooling fan .....	47, 53
24.01.122	Core temperature probe .....	69, 71
20.00.898	Coupling valve evacuation .....	17
24.01.108	Cover back left lid .....	69, 75
24.01.072	Cover back right lid .....	71, 77
16.00.329	Cover f. USB interface .....	59, 63
24.01.213	Cover hook left .....	69, 71, 75, 77
24.01.212	Cover hook right .....	69, 71, 75, 77
40.02.360	Cylinder for the lid lock .....	75, 77
16.00.232	Dial f. pulse generator blue .....	79, 81
40.01.255	Differential switch .....	53
10.00.672	Disc IGUS 112-311 .....	25, 31
87.00.475	Discharge pipe of pan .....	37
40.01.996	Distance bush PA d12/5x7.2 .....	79, 81
24.01.210	Distance nut locking hook .....	69, 71, 75, 77
40.02.015	Distance nut PA H10 x 4.3 D.8MM .....	47, 53
50.00.627	Drain hose pan left 112 .....	25, 31
50.00.628	Drain hose pan right 112 .....	25, 31
12.00.609	Drain pipe holder .....	35
12.00.635	Drip collector .....	11
10.00.103	EJOT PT-screw KA 3.5x10 .....	59, 63
10.00.460	EJOT PT-Screw Torx 3,5x14 .....	59, 63

## Index

<b>Part no.</b>	<b>Description</b>	<b>Page</b>
54.00.576	Elbow-pipe PP DN40 45° .....	43
54.00.575	Elbow-pipe PP DN40 87.5° .....	43
40.00.465	Electronic noise filter .....	47
40.02.471	Electronic noise filter .....	53
50.00.647	Elbow pipe 1/2 D10 .....	43
40.00.764	End plate for mounting rail .....	53
40.01.776F	Energy_opt.-terminal *crimp type* .....	53
40.00.338	Energy_opt.-terminal *screw typ* .....	53
40.00.914	Equipotentiality sticker .....	63
87.00.165	External memory flashed .....	79, 81
50.00.655	Fitting F1/4 D9 .....	43
12.00.688	Fixing angle cpl. 112 .....	55
40.00.417F	Fixing clip f. pcb .....	47
40.02.047	Fixing clip white p/1.6mm .....	47, 53
2020.0400V	Fixing device for cable harness .....	81
40.01.967	Fixing device for SSR .....	47, 53
20.01.061	Fixing plate lever pan .....	13
16.00.850	Frame bottom .....	5
16.01.168	Frame bottom complete .....	5
16.00.847	Front panel console .....	59, 63
4001.0224V	Fuse 6.35x32mm 6,3A slow-blow .....	47, 55
4001.0226V	Fuse 6.35x32mm 16A, time-lag .....	47, 55
40.01.941	Fuse 6.35x32mm 250V 8A .....	47, 55
40.02.099	Fuse holder 1003SI .....	55
4001.1295V	Fuse holder e 1003Si/1DS .....	47, 55
50.00.656	Gasket EPDM 18.5-13 x 8 .....	43
20.00.946	Gasket f. pan valve fixing device .....	17
16.00.725	Gasket f. Tulip .....	59, 63
5110.1024V	Gasket for G3/4" threaded joint .....	35, 37, 39, 43
20.00.992	Gasket for plug pan valve .....	21, 25, 31
50.00.659	Gasket Tesnit 3/8" .....	37
50.00.599	Gasket TESNIT 20x12x2 1/2" .....	35, 37

## Index

<b>Part no.</b>	<b>Description</b>	<b>Page</b>
40.02.040	Gear motor pan valve .....	23
16.00.934	Glass for Vitro .....	79
20.00.714	Graphit plate big for heating element 5600W .....	17, 25, 31
20.00.987	Graphit plate for Bimetall switch .....	25, 31
20.00.710	Graphit plate for heating element 1400W .....	17, 25, 31
40.00.852	Grommet ø9.5 .....	79, 81
40.02.318	Grommet Ø30x35x1 .....	53
50.00.590	Hand shower blue .....	35, 37
50.00.552	Hand shower roll guide VCC .....	35
50.00.626	Hand shower roll guide VCC .....	37
40.01.940	Heating element 2x2800W .....	17
40.02.145	Heating element 4X1400W .....	25, 31
40.01.939	Heating element 1400W .....	17, 25, 31
40.01.612	Heating element f. vitro .....	79, 81
40.01.975	Heating element safety chain bundle .....	49
40.01.976	Heating element safety chain bundle .....	49
10.00.632	Hex combination nut M3 .....	47, 55
1104.0122F	Hex combination nut M4 galv .....	17
1105.0121V	Hex combination nut M5 galv .....	11, 17, 25, 31, 47, 85
1106.0801F	Hex combination nut M6 .....	5, 39
1106.0803V	Hex combination nut M6 galv .....	5, 11, 17, 23, 35, 41, 47, 59, 63, 69, 71, 75, 77, 79, 81
10.00.607	Hex combination nut M8 .....	5, 9, 11, 15, 25, 31, 35, 37, 47, 53
10.00.636	Hex nut M2 self-locking .....	17
1104.0120V	Hex nut M4 .....	27, 33, 47, 53
1104.0121V	Hex nut M4 self locking .....	23, 25, 31, 55, 79, 81
1105.0120V	Hex nut M5 .....	11, 49
1106.0160F	Hex nut M6 .....	17, 69, 71, 75, 77, 79, 81
1108.0260V	Hex nut M8 .....	25, 31
24.00.280	Hex nut M10 A2 .....	11
10.00.612	Hex nut M16 flat .....	69, 71, 75, 77
10.00.617	Hex screw 3X16 St/Zn .....	49

## Index

<b>Part no.</b>	<b>Description</b>	<b>Page</b>
10.00.588	Hex screw M5x12 DIN933 .....	47
1006.0762F	Hex screw M6x10 .....	11, 49
1006.0760V	Hex screw M6x16 .....	5, 13, 43, 53
10.00.596	Hex screw M6x50 A2 .....	9, 15, 79, 81
1006.2060F	Hex screw M6x55 .....	35
1008.0760V	Hex screw M8x16 .....	7, 35, 47
1008.0763V	Hex screw M8x20 .....	37
1008.0761V	Hex screw M8x25 .....	69, 71, 75, 77
1008.0766F	Hex screw M8x30 .....	9
10.00.756	Hex socket countersunk head screw M6x16 .....	85
10.00.619	Hex socket head cap screw A2 M2X16 .....	17
10.00.611	Hex socket head cap screw A2 M3X20 .....	47, 55
10.00.626	Hex socket head cap screw A2 M4X20 .....	47, 53
10.00.633	Hex socket head cap screw M5X45 .....	15
10.00.615	Hex socket set screw cup point A2 M6X8 .....	9
10.00.452	Hex socket set screw cup point A2 M4X4 .....	9, 15
10.00.595	Hex socket set screw cup point A2_70 M6x6 Tuflok .....	15
1004.0905V	Hex socket set screw M5x6 .....	5, 11
24.01.218	Hinge lid pressure .....	69, 71, 75, 77
24.00.795	Holder raising jack gas .....	5
16.00.845	Holding bracket front panel .....	79
50.00.348	Hose clamp 12.22 L9 .....	35, 43
20.00.715	Hose clamp 31,3 mm, Ring MB DU 12/12 .....	17, 27, 33, 25
10.00.648	Hose clamp d.20.2 .....	69, 71, 75, 77
10.00.635	Hose clamp d7mm .....	51, 55
10.00.656	Hose clamp D9.1 .....	43, 49
10.00.645	Hose clamp D44.4 .....	17, 39
2066.0533V	Hose clamp ø10.1 .....	35, 43, 49
2066.0532F	Hose clamp ø11.9 .....	49
2066.0527V	Hose clamp ø14mm .....	39, 43
2066.0530V	Hose clamp ø16.4mm .....	35, 37, 39, 43
2066.0525V	Hose clamp ø22,1 mm .....	5, 39, 43

## Index

<b>Part no.</b>	<b>Description</b>	<b>Page</b>
12.00.611	I/O relay pcb A4 holder .....	49
40.00.470	Interface cable USB 1.5m .....	59, 63
16.01.126	Isolation cover for Vitro .....	79
16.01.187	Isolation front panel Vitro .....	81
16.00.932	Isolation heating element Vitro .....	79
16.01.189	Isolation perforated front panel Vitro .....	81
24.01.140	Jack gas 1100N .....	5, 11
20.00.689	Key toppling ppan/lid .....	7, 9, 15
20.01.068	Left pan shaft .....	13
20.00.947	Lever cpl. f. pan valve .....	17
20.00.957	Lever f. bowden cable pan valve .....	23, 25
24.01.146	Lid cover left welded .....	69, 75
24.01.144	Lid cover right welded .....	71, 77
24.01.153	Lid gasket left .....	69, 75
24.01.151	Lid gasket right .....	71, 77
24.00.766	Lid grille .....	69, 71, 75, 77
24.01.084	Lid handle right .....	71, 77
24.01.064	Lid welded .....	71, 77
24.01.107	Lid welded, left, pressure 112P .....	69, 75
20.01.059	Lift arm for pan .....	13
40.01.708	Lifting cylinder for left pan .....	5, 11
24.00.803	Lifting cylinder for lid .....	5, 11
40.01.971	Lifting cylinder for lid lock .....	69, 71
40.01.972	Lifting cylinder for right pan .....	5, 11
40.02.351	Link f. terminal block BJDP3 .....	53
10.00.187	Lock washer AZ 4 .....	17, 27, 33, 47, 53
24.01.116	Locking handle left .....	69, 75
50.00.086	Locking plate f. water distribution .....	35, 37
20.00.716	Locking roller pan .....	17, 25, 33
12.00.224	Lower part of pedestal 110mm .....	5, 11
24.00.769	Magnet for lid (core temperature) .....	69, 71, 75, 77
40.01.965	Main bundle .....	49

## Index

<b>Part no.</b>	<b>Description</b>	<b>Page</b>
24.01.195	Maintenance arises bends joint lid .....	69, 71, 75, 77
24.01.300	Meat probe sensor .....	75, 77
12.00.598	Micro switch holder lid position .....	49, 57
40.01.709	Micro switch lid position .....	49, 57
20.00.923	Micro switch pan left valve position .....	17
40.01.710	Micro switch pan right valve position .....	19
20.00.983	Mounting device for Bimetall switch .....	25, 31
46.00.123	Mounting device thermocouple for heating element .....	31
42.00.049	Mounting support for pressure sensor .....	43
42.00.006	Network interface Ethernet .....	81
50.00.078	Non return valve DW16/DN12 .....	35, 37
10.00.225	Nut 3/8" .....	69, 71, 75, 77
20.00.680	O-ring 21x 1.5 .....	69, 71, 75, 77
20.00.692	O-ring 24X3 EPDM .....	7
20.00.879	O-ring 25X1.5 EPDM .....	69, 71, 75, 77
10.00.675	O-ring f. pan valve 17.3 x 2.4 .....	21, 25, 31
40.02.014	O-ring NITRILE D16 .....	43, 49
1008.0769V	Ornamental screw M8x30 .....	5, 11
16.01.169	Overlay VCC/E *Rational* 112-311 .....	79, 81
10.00.507	Pan head screw Torx 5/16" T20 .....	47, 55
20.01.071	Pan left .....	25, 31
20.00.712	Pan left assembly .....	17
16.00.856	Pan left front panel assembly .....	59, 63
16.00.848	Pan panel for left pan .....	59, 63
16.00.859	Pan panel for right pan .....	59, 63
20.01.054	Pan right .....	25, 31
20.00.958	Pan right assembly .....	17
16.00.855	Pan right front panel assembly .....	59, 63
20.01.056	Pan shaft right .....	13
20.00.876	Pan valve motor holder .....	23, 25
24.01.089	Pipe water filling .....	69, 71, 75, 77
24.01.099	Plate for lid watertightness .....	69, 71, 75, 77

## Index

<b>Part no.</b>	<b>Description</b>	<b>Page</b>
20.00.970	Plug for pan valve .....	21, 25, 31
50.00.085	Plug-in spring f. hand shower roll guide .....	37
40.02.314	Power harness K1 input 112 .....	55
40.02.313	Power harness K1 output 112 .....	55
40.02.280	Power harness Vitro .....	81
40.02.278	Power supply cable .....	11
40.01.989	Power supply cable 3NAC 400V .....	51
42.00.036	Pressostat holder .....	49
2067.0050V	Pressure hose d10mm .....	35, 39, 43
40.01.980	Pressure safety chain bundle .....	49
40.02.348	Pressure sensor left .....	43
40.01.969	Pressure sensor left .....	49
40.02.347	Pressure sensor right .....	43
40.01.719	Pressure sensor right .....	49
40.02.048	Pressure switch 25 mbar .....	43, 49
40.00.750	Pressure switch 200mbar .....	43, 49
87.00.622	Pulse generator with gasket .....	79, 81
54.00.601	Quenching box .....	43
2016.0936F	Quenching nozzle 3.9 l/min .....	41
54.00.491	Quenching nozzle gasket .....	41
10.00.444	Raised countersunk head screw Torx M4x8 .....	53
1004.0500F	Raised countersunk metal screw M4x8 oval head .....	47
50.00.653	Reducing nipple 1/2 - 3/8 .....	37
50.00.658	Reducing nipple 3/4 - 1/2 .....	37
50.00.654	Reducing nipple 3/4 - 3/8 .....	37
42.00.038	Relay pcb (5 Relay) .....	47, 53
42.00.055V	Relay-I/O pcb .....	47, 53
42.00.039	Relay-I/O pcb A4 .....	49, 53
20.01.036	Rest for motor, pan valve .....	31
20.00.799	Ring for sheath .....	7, 9
20.01.062	Ring friction pan shaft .....	13, 15
24.00.798	Ring sheath pan left / right .....	7, 9

## Index

<b>Part no.</b>	<b>Description</b>	<b>Page</b>
24.01.211	Ring teflon shaft locking .....	69, 71, 75, 77
1105.0400F	Rivet nut M5 .....	63
60.70.618	Safety loop Vitro .....	79, 81
3014.0325V	Safety temperature limiter 110°C .....	17
40.02.337	Safety temperature limiter 215°C .....	25, 31
40.00.673	Safety temperature limiter 220° (Oil too hot) .....	47
1328.0102F	Safety washer A10,2 .....	5
1251.1000V	Safety washer ø5mm .....	17, 25, 31
10.00.747	Securing device for bolt d=12 .....	11
10.00.188	Serrated lock washer A5.1 .....	11
24.00.767	Shaft back jack of the lid .....	69, 71, 75, 77
24.00.765	Shaft front jack of the lid .....	69, 71, 75, 77
24.00.760	Shaft hoist swing shaft .....	7, 11, 13
20.00.883	Shaft jack pan .....	5
24.00.793	Shaft jack raising lid .....	11
24.01.057	Shaft Toppling .....	15
20.00.685	Shaft toppling pan welded .....	7
20.00.905	Sheath for pan valve .....	21, 25, 31
24.00.801	Sheath shaft pan L/R .....	7, 9
12.00.617	Shower roll guide holder .....	35, 37
16.01.123	Side panel left console .....	59
16.01.124	Side panel right console .....	59
24.00.376	Silicone adhesive caf 33 .....	79, 81
24.01.232	Silicone hose 6x9 .....	35, 37, 43, 49
24.01.231	Silicone hose 16/20 .....	39, 43
24.00.348	Silicone hose D30/40 .....	39
50.00.568	Silicone hose diameter out 14mm in 8mm .....	35, 37, 39, 43
50.00.139	Single solenoid valve .....	35
50.00.316	Single solenoid valve .....	35
10.00.597	Slot counter head secur screw A2 M5X10 .....	27, 33
1004.0023F	Slotted pan head screw M4x6 .....	47
10.00.150	Slotted pan head screw M6x12 A2 .....	59, 83

## Index

Part no.	Description	Page
10.00.677	Snap on cap f. bundle-clip .....	53
40.01.410	Socket 2P+T 16A (Germany) .....	59, 63
10.00.144	Socket cap screw M3x16mm .....	57
10.00.107	Socket cap screw M10x35 .....	5, 11
87.00.196	Socket cover for tulip blue .....	61, 65
40.01.721	Solenoid valve f. decompression 1/2" left .....	39, 43
40.01.720	Solenoid valve f. decompression 1/2" right .....	39, 43
50.00.575	Solenoid valve (connector color brown) .....	35
40.01.589	Solid state relais .....	47, 53
20.00.480	Split-pin 3.2x22 A2 .....	5, 7, 69, 71
50.00.617	Spring f. hose, water filling .....	75, 77
1205.0260F	Spring washer B5 .....	17, 29
1208.0260F	Spring washer B8 .....	7
50.00.639	Square seal .....	11
1107.0100F	Star lock ø4 .....	29
1107.0101V	Star lock ø5 .....	59, 63
24.00.889	Stop ring .....	9, 15
16.00.933	Storage case left complete .....	83
16.01.230	Storage case left with door .....	85
16.01.107	Storage case right complete .....	83
16.01.251	Storage case right with door .....	85
1805.1709F	Straight pin 4x12 A2 .....	29
10.00.781	Straight pin ISO2338 A2 3m6x20 .....	31
20.01.069	Switching cam f. pan drain valve .....	31
20.00.951	T evacuation waste water .....	39
54.00.548	T-fitting center 36981217 .....	39
54.00.537	T-fitting G3/8 D12 .....	39
44.00.749	T-fitting plastic DN6 .....	43
50.00.612	T-fitting plastic TS16 .....	43
54.01.388	T-fitting TS10 brass .....	35, 43
40.00.707	Terminal block 6qmm blue .....	53
40.00.826	Terminal block 25qmm blue .....	47, 53

## Index

<b>Part no.</b>	<b>Description</b>	<b>Page</b>
40.00.639	Terminal block 25qmm g/y .....	47, 53
20.00.849	Thermocouple bundle .....	17
20.00.850	Thermocouple bundle .....	19
87.00.094	Thermocouple for heating element .....	25, 31
20.00.853	Thermocouple pan left .....	17, 27
20.00.854	Thermocouple pan right .....	19, 27
54.00.479	Thermocouple quenching box .....	39, 43
12.00.603	Thermostat and fuse holder complete .....	47, 53
54.00.536	Threaded connection 3/4" 1/2" revolving nut .....	39, 43
40.00.847	Tie rap 2.4X140 .....	81
10.00.189	Tooth lock washer A4 AZ6 .....	17, 75, 77, 79, 81
1208.0160V	Tooth lock washer A8,4 .....	9
40.01.712	Transformer .....	11, 49
50.00.634	Triple solenoid valve .....	37
10.00.652	Tube for drip collector fixation .....	5, 11
87.00.256	Tulip blue for hand shower part n° 87.00.256 .....	59, 63
12.00.205	Upper part of pedestal .....	5, 11
1306.0218V	Washer A4,3 .....	23, 47, 53, 79, 81
1306.0120V	Washer A6,4 .....	17, 25, 31
1308.0161V	Washer A8,4 .....	7, 25, 31
1308.0160V	Washer A8,4 .....	9, 47, 69, 71, 75, 77
1310.0160V	Washer A10,5 .....	5, 11
10.00.186	Washer broad LL6 .....	53, 79, 83
91.00.140	Washer L6 A2 .....	43
10.00.625	Washer M2 A2 .....	17
10.00.179	Washer M6 A2 .....	79
10.00.805	Washer M6 x 1.2 A2 .....	31
10.00.423	Washer M12 A2 .....	43, 49
20.00.975	Washer maintenance roller bolt .....	17, 27, 33
8664.1007V	Water distribution unit .....	35
50.00.072	Water distribution vert roll guide con. ....	37
50.00.073	Water distribution vert w/o roll guide con. ....	35

## Index

Part no.	Description	Page
1900.0202V	Water filter .....	35, 37
40.01.311	Water volume sensor Vision 2000 3/8" .....	35
40.02.349	Water volume sensor with wire .....	37
54.00.492	Welded nipple .....	41
46.00.118	Wiring harness, heating elements, pan left .....	25, 31
46.00.119	Wiring harness, heating elements, pan right .....	25, 31
54.00.589	Y PP DN40 45° .....	43
54.00.571	Y PP DN40 87° .....	43
24.01.230	Y-fitting Y 16 .....	5, 39

RATIONAL Aktiengesellschaft  
Siegfried-Meister-Straße 1  
86899 Landsberg am Lech  
Germany

Web: [www.rational-online.com](http://www.rational-online.com)  
[info@rational-online.com](mailto:info@rational-online.com)

Telephone: +49 8191-327-0

Managing Board: Managing Director Dr. Peter Stadelmann,  
Peter Wiedemann, Markus Paschmann  
Chairman of the Supervisory Board: Walter Kurtz

Registered Office: Landsberg am Lech  
Court of Registration: Augsburg  
District Court Commercial Register Dept. B: 2001  
VAT number: DE 128673942

---